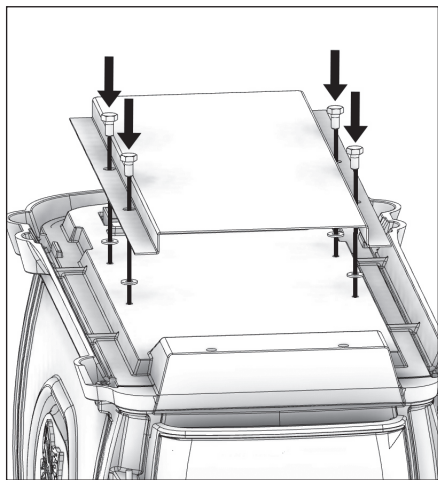
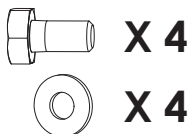
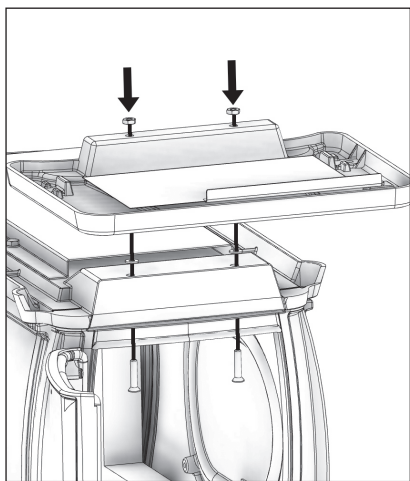
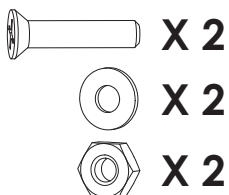


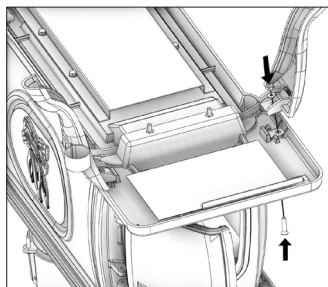
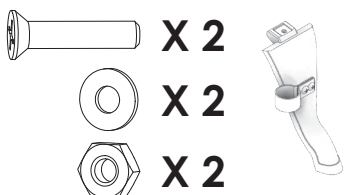
1. Uncrate the stove and remove packing materials and protective poly bag (save cardboard box for further assembly).
2. Remove parts from inside of the stove.
3. Place flattened carton on the floor and carefully turn stove over onto carton.
4. Attach the bottom air channel with four (4) 1/4-20 X 3/8" screw, and four (4) washers.



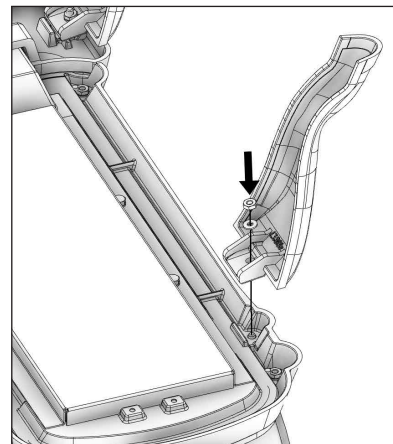
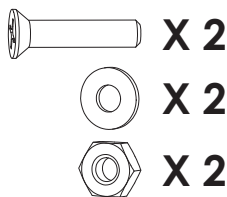
5. Attach the hearth to the bottom of stove using two (2) 1/4-20 x 1-3/16 screws, two (2) washers, and two (2) 1/4-20 jam nuts.



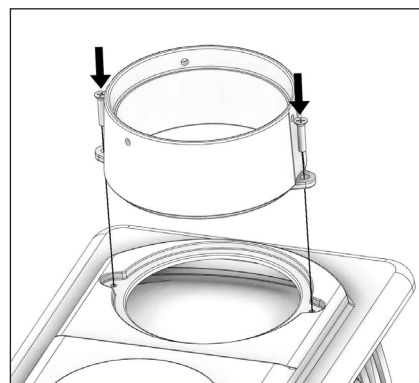
6. Attach the front legs to the hearth with two (2) 1/4-20 x 1-3/4 screws, two (2) washers, and two (2) 1/4-20 jam nuts. NOTE: Only one leg is equipped with a handle bracket. This bracketed leg is designed to be installed at the front right side of the unit.



7. Attach the rear legs to the base of the stove with two (2) 1/4-20 x 1-3/4 screws, two (2) washers, and two (2) 1/4-20 jam nuts.



8. Carefully lift the stove upright and place in the desired location. Align the holes on the flue collar to the holes on the stove and attach using (2) two 1/4-20 X 1-3/4 screws.



9. Lower the feed door into position while aligning hinge pins.

