

PP-535-1 Auger Motor

All Country Flame pellet stove (from 2008 to present)

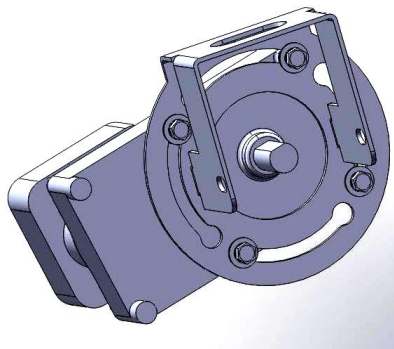
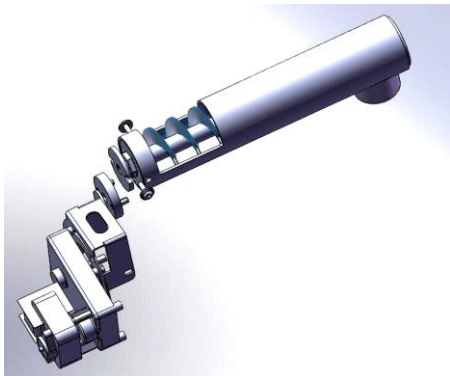
(1) PP-535-1 Auger Motor



- Carefully remove from packaging.
- Turn off power on control panel and unplug from the power supply.
- Open right side panel.
- Disconnect the auger motor leads from the wire harness.
- Loosen both (2) 1/4-20 x 1/2" allen screws using 1/8" allen wrench on auger end plate.

NOTE: If your motor still has the white plug connector you'll need to remove that white plug from the wire harness and add on the two female connectors supplied. Now connect the motor leads to the female male connectors coming from.

- Pull off auger motor assemble.



- Remove and save (4) #10-32 x 1/2" pan head screws used for mounting the auger bracket.

- Reassemble auger motor assemble.
- Slide the auger assemble back into the auger tube.
- Slide the auger motor assemble back onto the auger tube making sure the auger male adapter assemble is lined up with the flange on the auger assemble.
- Tighten the (2) allen screws into the auger end plate.
- Reconnect auger motor electrical leads and make sure wires are secured properly in the right panel.
- Close side panel.
- Restart unit.