

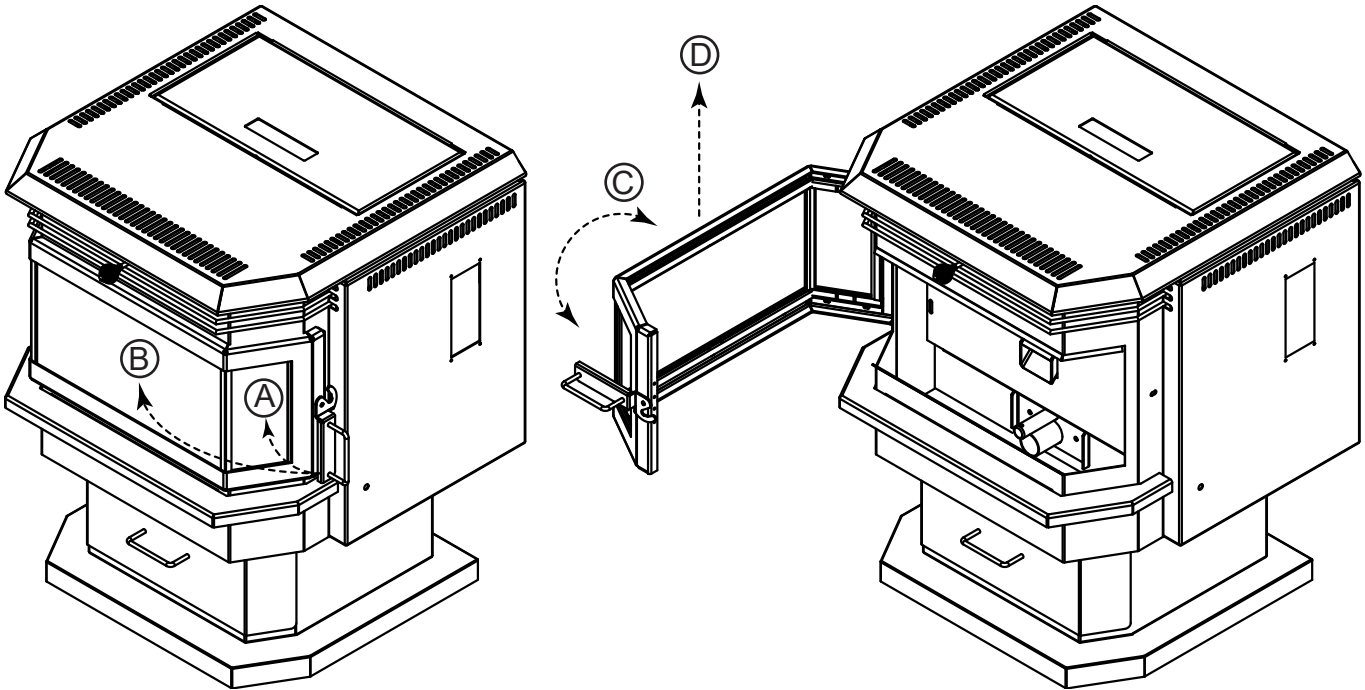


KOZI BAYWIN GLASS GASKET KIT INSTALLATION

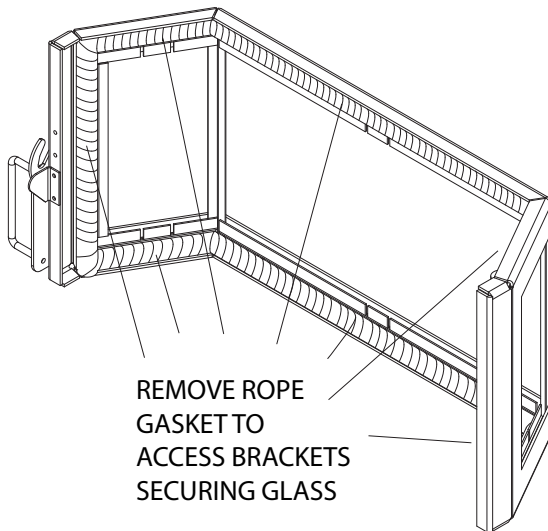
Revised Nov 2013
Printed In Canada

Follow these instructions to properly install your new KOZI BayWin Glass Gasket Kit.

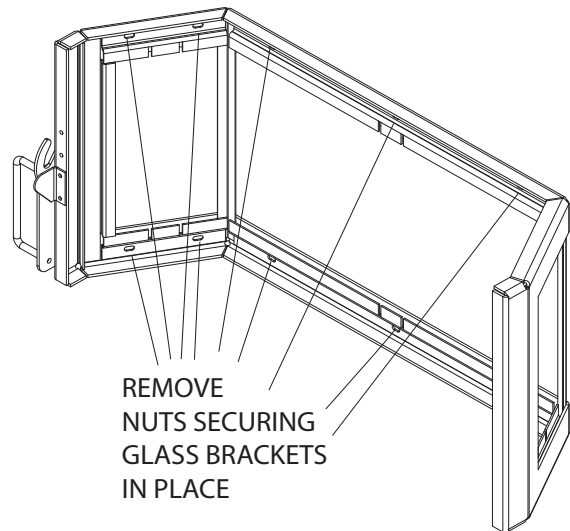
1. Lift the latch (A) to open up the front door and swing it wide open (B). Hold onto the door and twist (C) and lift (D) the door at the same time to unhinge it off of the pellet stove as shown below.



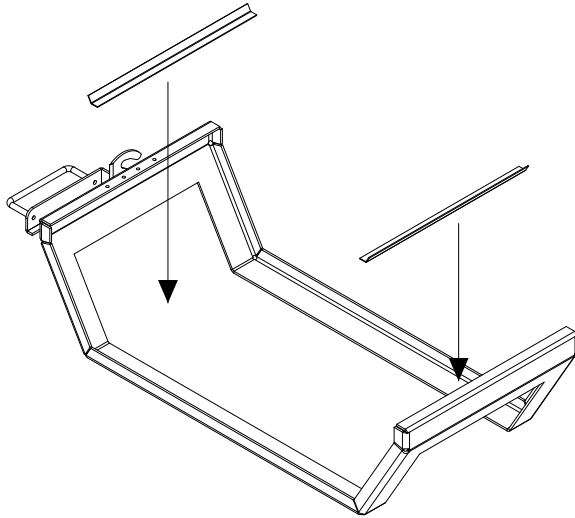
2. Remove the rope gasket on the door to access the brackets securing the glass in place.



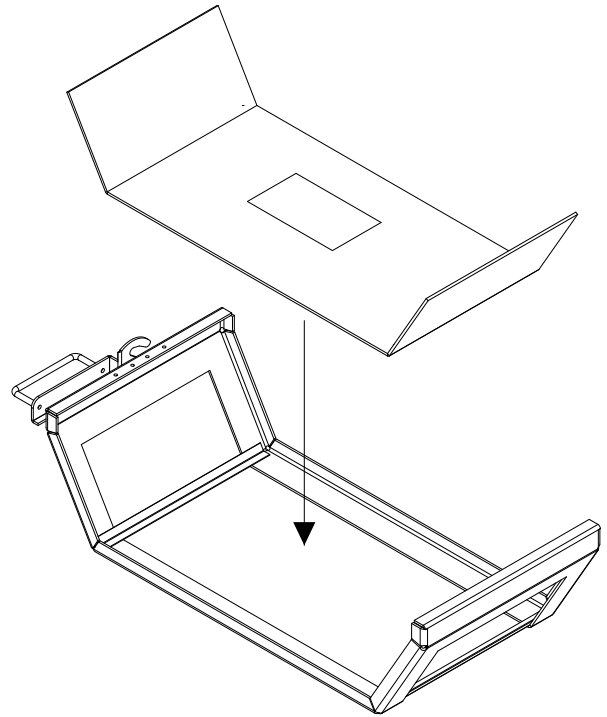
3. Remove all the nuts securing the brackets holding the glass in place.



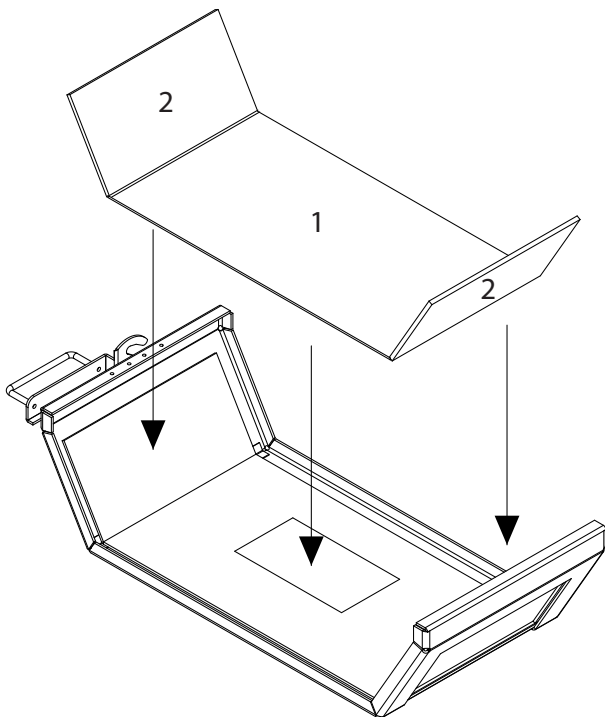
4. Once all the brackets are removed, you can disassemble and remove the glass, gaskets and vertical glass corner pieces and clean them off. Once they are cleaned, re-install the vertical glass corner pieces as shown.



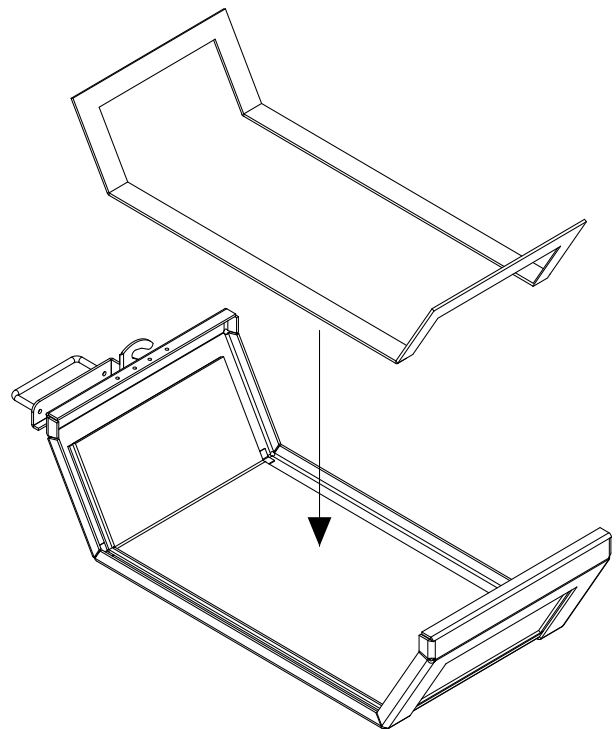
5. Lay the first glass gasket as shown below.



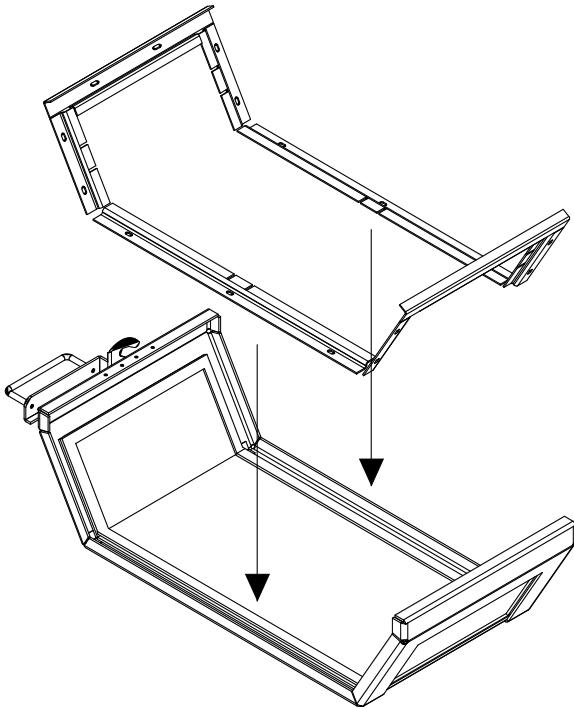
6. Place the center glass (1) and 2 side glass pieces (2) as shown below. Make sure the side glass touches the center glass.



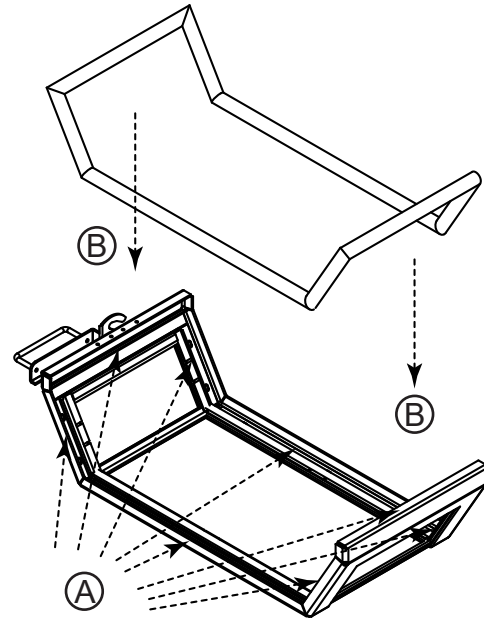
7. Place the second set of glass gaskets as shown below.



8. Place the brackets that secure the glass assembly in place and secure with nuts. Do not overtighten the nuts as you make break off the stud welds.



9. Once the brackets are in place and secure, re-install the rope gasket. Put high temperature rated glue into the grooves for the door rope (A). Place the door rope into the grooves (B) and bunch the rope so that it protrudes outside of the grooves. If you lay it too flat, the door may not seal.



10. Cut out the excess glass gasket using a knife. Do this on both sides of the door assembly. Discard the excess gasket.

