

# **VEVOR<sup>®</sup>**

**TOUGH TOOLS, HALF PRICE**

Technical Support and E-Warranty Certificate  
[www.vevor.com/support](http://www.vevor.com/support)

## **HORIZONTAL PELLET GRILL SMOKER**

**MODEL: JY-MY-YXL-480-120**

**JY-MY-YXL-480-220**

**JY-MY-YXL-480-240**

We continue to be committed to provide you tools with competitive price. "Save Half", "Half Price" or any other similar expressions used by us only represents an estimate of savings you might benefit from buying certain tools with us compared to the major top brands and does not necessarily mean to cover all categories of tools offered by us. You are kindly reminded to verify carefully when you are placing an order with us if you are actually saving half in comparison with the top major brands.

# VEVOR®

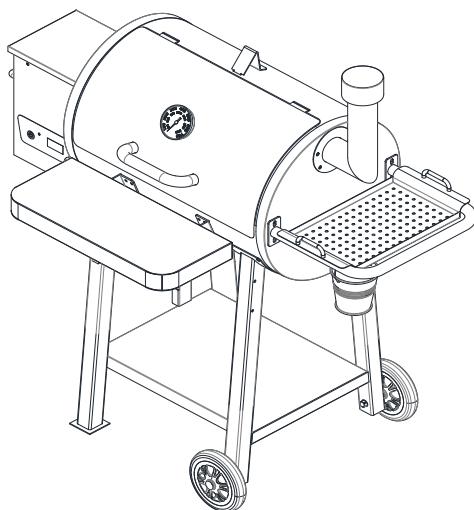
TOUGH TOOLS, HALF PRICE

## HORIZONTAL PELLET GRILL SMOKER

**MODEL:JY-MY-YXL-480-120**

**JY-MY-YXL-480-220**

**JY-MY-YXL-480-240**



Note:The quantity of parts shown in the manual is the actual usage and the unused parts are spare parts.




### NEED HELP? CONTACT US!


Have product questions? Need technical support? Please feel free to contact us:



**CustomerService@vevor.com**

This is the original instruction, please read all manual instructions carefully before operating. VEVOR reserves clear interpretation of our user manual. The appearance of the product shall be subject to the product you received. Please forgive us that we won't inform you again if there is any technology or software updates on our product.

	<p>Warning-To reduce the risk of injury, user must read instructions manual carefully.</p>
	<p>This device complies with Part 15 of the FCC Rules. Operation is subject to the following two conditions:(1)This device may not cause harmful interference, and (2)this device must accept any interference received, including interference that may cause undesired operation.</p>
	<p>This product is subject to the provision of European Directive 2012/19/EC. The symbol showing a wheellie bin crossed through indicates that the product requires separate refuse collection in the European Union. This applies to the product and all accessories marked with this symbol. Products marked as such may not be discarded with normal domestic waste, but must be taken to a collection point for recycling electrical and electronic devices</p>

				
				
<p>Carbon Monoxide Poisoning Hazard</p>	<p>Do not use in Motor Homes</p>	<p>Do Not Use Indoors</p>	<p>Do Not Use in Tents</p>	<p>Use in open Spaces</p>

## IMPORTANT SAFEGUARDS

Thank you for using this product. In order to make sure that you can operate the machine correctly, read this instruction carefully before operation and keep it properly for future reference. Please be sure to read the precautions and safety rules in this page to ensure your safe use.

This manual will outline safety warnings and precautions, operating, maintenance and cleaning. The warnings and instructions reviewed in this manual cannot cover all possible conditions and situations that may occur. Caution and common sense are not built into this product, since we believe that the uses will comply with these codes.

### **Please read ALL the instructions before using your machine.**

1. Make sure the voltage in your outlet is the same as the voltage indicated on the appliance's rating label.
2. Do not let children and minors get close to or touch the machine.
3. Do not touch the hot surface directly with your hands. Always operate with handle or knob.
4. To prevent electrical shock, do not immerse the cord or plug into water or other liquids.
5. Do not immerse the appliance in water or any other liquid.
6. Unplug the machine from the outlet when not in use and before cleaning. Cool the appliance before installing or removing parts and before cleaning.
7. Cool down the HOT parts before operation.
8. Do not operate the device with damaged cord or plug, malfunction or with any mechanical damage. Send it to your nearest authorized service centre for examination and repair (ONLY technicians should open up the unit).
9. Using any accessories or attachments that are not provided or recommended by the manufacturer may cause injury.
10. If the machine is not to be used for a long period of time, unplug it,

clean and cover it and store it in a dry and safe place.

11. Do not leave the power cord hanging over the edge of table or counter or let it come into contact with any hot surfaces.

12. Do not place the unit on or near hot air, electric burners or heaters.

13. Always switch off the power before plugging in or unplugging. Hold the plug instead of pulling on the cord.

14. Do not apply this unit to any other purposes than the indicated usage.

15. Do not use it indoor or for commercial purposes.

16. KEEP IT OUT OF CHILDREN'S REACH.

17. DO NOT CLEAN IT WITH ANY ABRASIVE MATERIAL.

18. Never leave it unattended while in use.

19. Always check that this machine is plugged into a grounded outlet with the appropriate electrical supply. Ensure that the wall outlet being used is properly grounded. If not, you must install a grounded outlet. Have the work performed only by a certified electrician who is properly qualified to meet local safety and electrical codes.

20. Ensure that the power outlet, plug and cord being used are in good working condition. Damaged components should be repaired by a certified electrician who is qualified to meet local safety and electrical codes. Even if your power cord is functioning properly, keep it away from water and avoid letting it run over carpets or heating devices.

21. Avoid using it in the presence of flammable liquids, gases, dust or other explosive situations.

22. Extreme caution must be taken when moving an appliance containing hot oil or other hot liquids.

23. Do not operate the machine in an appliance garage or under a wall cabinet. Always unplug the unit from the electrical outlet when storing in an appliance garage. Otherwise, it would cause a risk of fire, especially if the machine touches the garage wall or the door touches it as it closes.

24. Type Y attachment: If the supply cord is damaged, it must be replaced

by a special cord or assembly available from the manufacturer or its service agent.

25. This appliance can be used by children aged from 8 years and above and persons with reduced physical, sensory or mental capabilities or lack of experience and knowledge if they have been given supervision or instruction concerning use of the appliance in a safe way and understand the hazards involved. Children shall not play with the machine alone. Cleaning and user maintenance shall not be made by children without supervision.

**ATTENTION!**

**This article is intended for outdoor use. Do not use indoors!**

**PRODUCT PARAMETERS**

<b>Model No.</b>	<b>Region</b>	<b>Voltage</b>	<b>Power</b>	<b>Plug Type</b>
JY-MY-YXL-480-120	North America	AC120 60Hz	44W	American PLUG
JY-MY-YXL-480-220	Europe	AC220V 50Hz	44W	Europe PLUG
JY-MY-YXL-480-240	Australia	AC240V 50Hz	44W	Australia PLUG

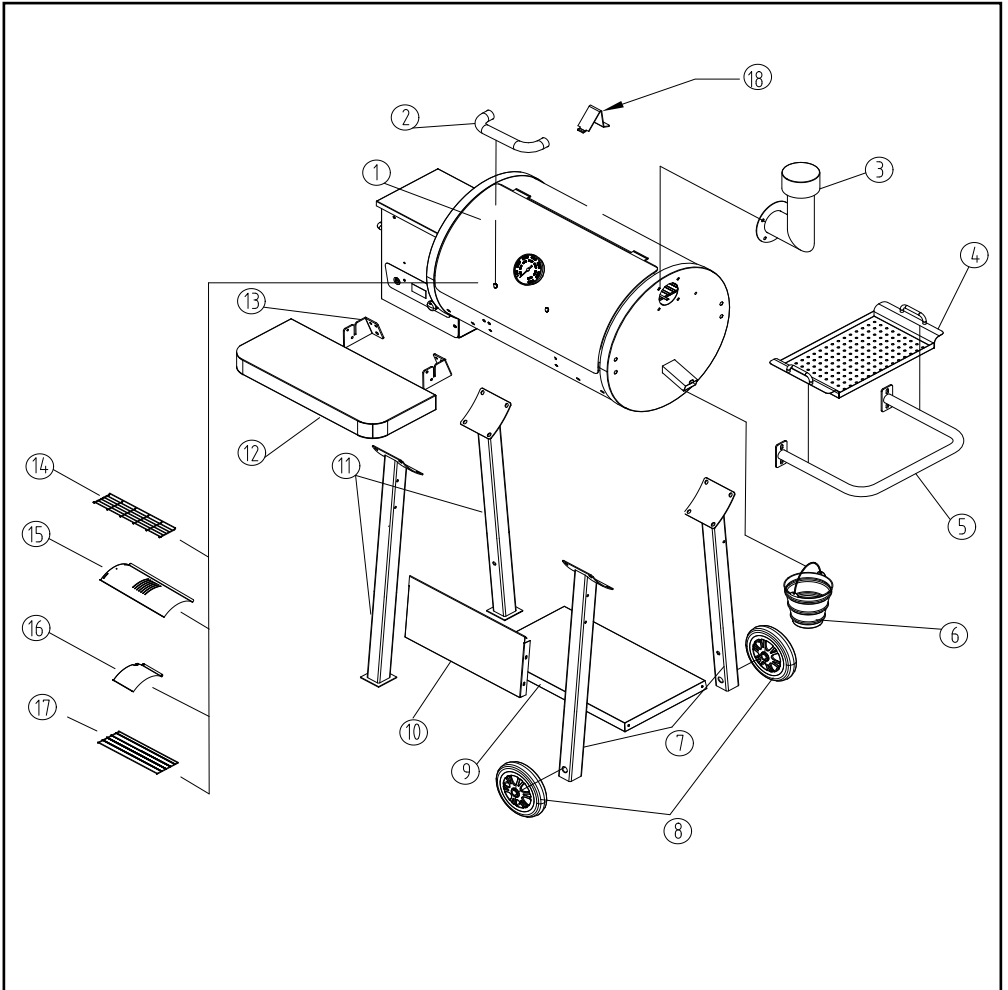
**ATTENTION!**


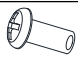

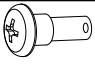


1. The voltage used for this device must be the same as the power supply voltage.

## PRODUCT COMPONENTS

### ATTENTION!

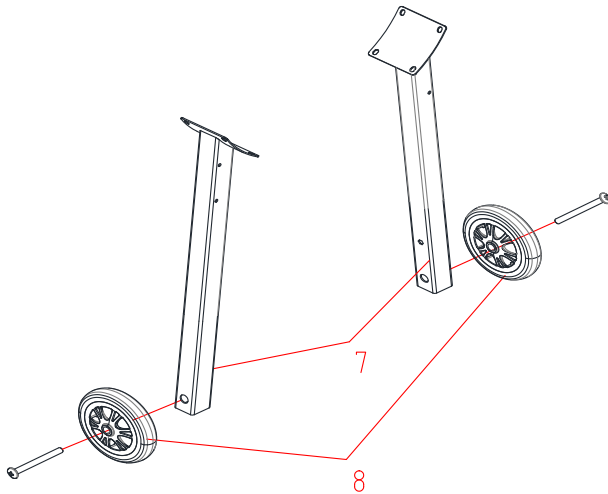
1. Check all parts for completeness before beginning assembly.
2. To avoid accidents or sharp edges injuries please assemble and use carefully. For assembly you need a Phillips screwdriver and different screw wrenches. 2 persons are needed to assemble the product.



No.	Part name	Qty	No.	Part name	Qty
1	Barbecue barrel	1	10	Front trim panel	1
2	Upper cover handle	1	11	Leg 2	2
3	Chimney	1	12	Front desk panel	1
4	Side storage tray	1	13	Front desk panel bracket	2
5	Side shelf	1	14	Insulation net	1
6	Receiving barrel	1	15	Pilot plate	1
7	Leg 1	2	16	Pilot plate cover	1
8	Caster	2	17	Baking net	2
9	Chassis	1	18	Limit baffle	1
No.	Part name	Qty	No.	Part name	Qty
A	Screw:M14x100 	2	D	Screw:M6x16 	28
B	Screw:M5x16 	9	E	Screw: Φ8x6xM6 	2
C	Screw:M5x50 	4	F	Nut:M14 	2

### STEP1

A:M14x100-2PCS F:M14-2PCS

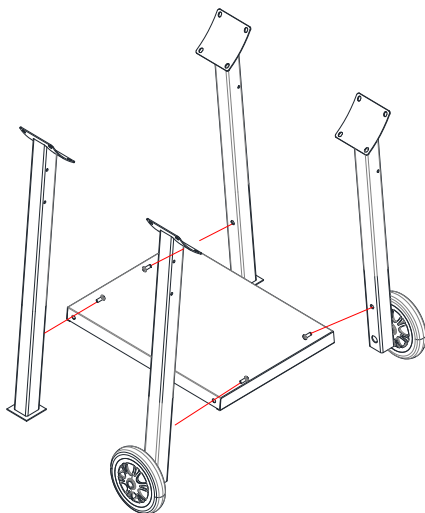


1. Use M14x100 screws to install and fix the two casters on the two feet 1 with M14 nuts.



STEP2

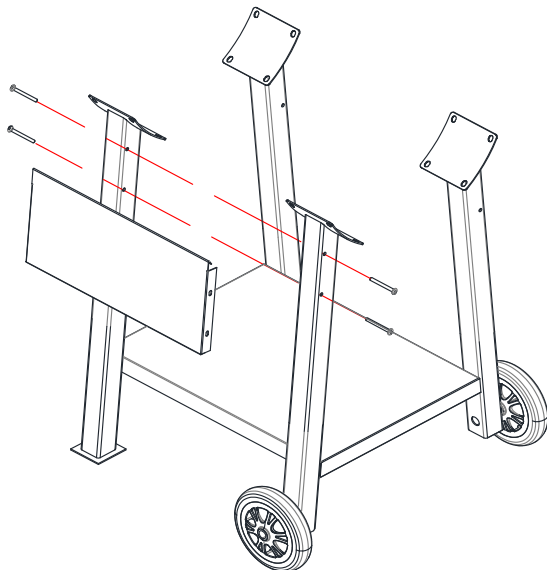
D: M6x16-4PCS



2. Use M6x16 screws to install the frame chassis on the foot 1/2.

STEP3

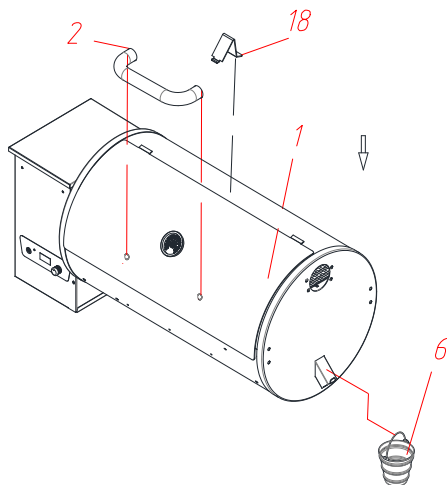
C: M5x50-4PCS



3. Fix the front trim panel with M5x50 screws.

## STEP4

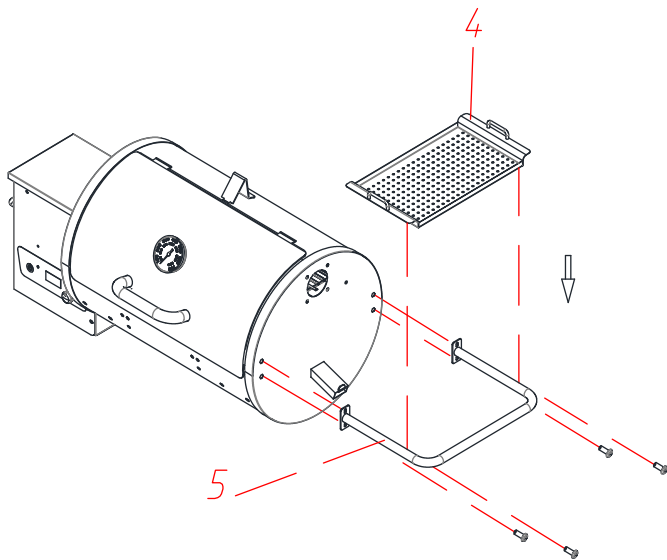
D:M6x16-2PCS B:M5x16-1pcs



4. Use M6x16 screws and shrapnel to install the upper cover handle on the barbecue barrel; Use M5x16 screws to install the limit baffle on the grill barrel and hang the oil receiving barrel on the grill barrel.

## STEP5

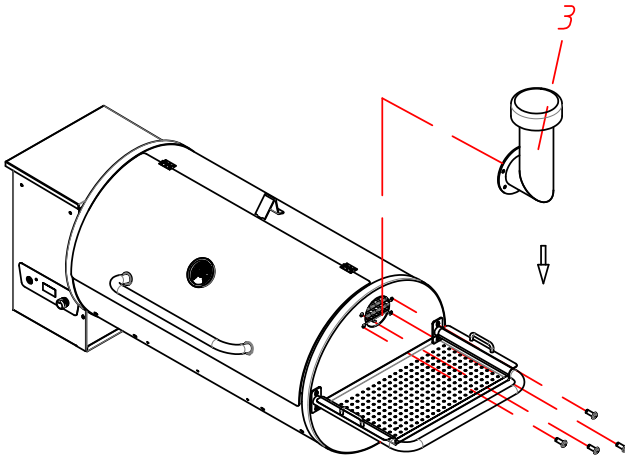
B:M5\*16-4PCS



5. Use M5x16 screws to install the side storage tray on the barbecue barrel, and place the side storage tray on the side storage tray.

STEP6

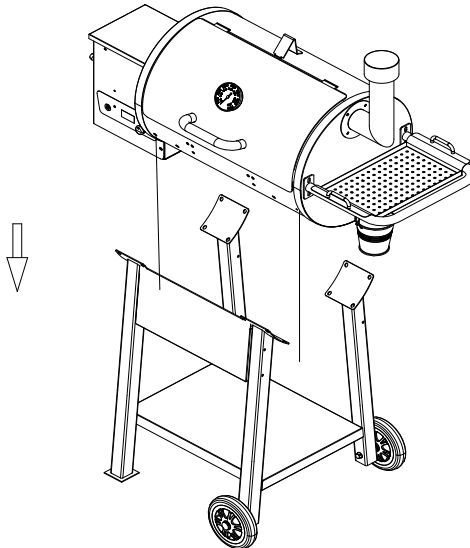
B:M5x16-4PCS



6. Fix the chimney on the side of the barbecue barrel with M5x16 screws.

STEP7

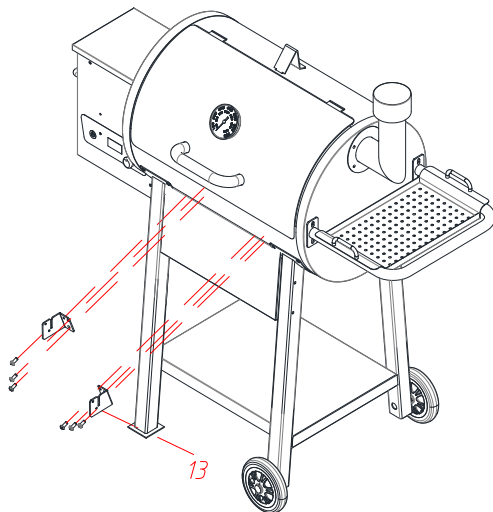
D:M6x16-16PCS



7. Fix the grill barrel on the proper position of the frame as shown in the figure above, and use M6x16 screws to lock it from the outside of the grill barrel.

STEP8

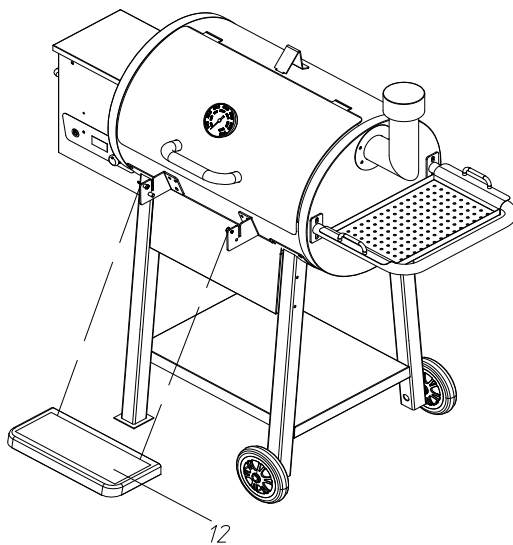
D:M6x16-6PCS



8. Use M6x16 screws to install the front platen bracket on the barbecue barrel.

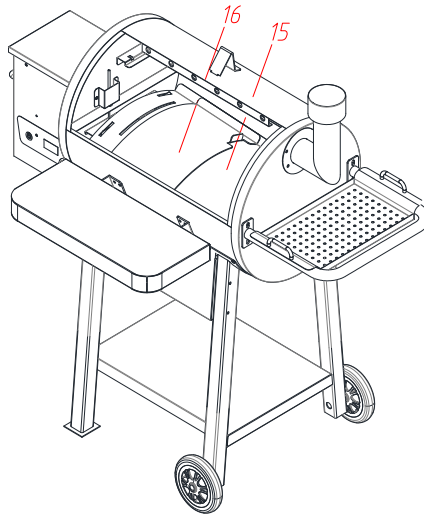
STEP9

E:  $\Phi$ 8x6xM6 Nut-2PCS



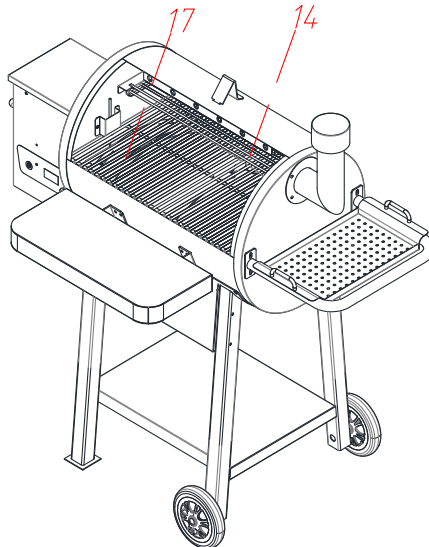
9. Place the front desk board on the front desk board bracket and use  $\Phi$  8x6xM6 Nut locking.

## STEP10



10. Put on the ignition plate and the cover of the ignition plate.

## STEP11



11. Put on the grill and insulation net, and the installation is completed. Turn on the power supply, place the pellet fuel in the feeder, start the feeding controller, adjust to the appropriate temperature, and smoke the food when the temperature of the cylinder rises to the set temperature.

## OPERATING INSTRUCTIONS

Before using the appliance for the first time, peel off any promotional materials and packaging materials, and check that the cooking plates are clean and free of dust. If necessary, wipe them over with a damp cloth. Spread over with an absorbent kitchen towel and wipe off any excess oil. When your product is heated for the first time, it may emit slight smoke or odor, which is normal for many heating appliances, and will not affect the safety of your appliance.

1. Place the machine on a clean, dry, level surface near a plug base outlet.
2. Distribute the solid firelighters in the center of the fire box.
3. Stack up the charcoal in a pyramid above the firelighters.
4. Light the solid firelighters with a match.
5. Grease the grill with some vegetable oil and start grilling.
6. Only place food on the grill after the fuel is covered with an ash layer.
7. Plug the cord into the wall outlet.
8. Use the ventilation slider to control the amount of air supplied to fuel from the bottom.(Only applicable for appliance with ventilation slider)

### **ATTENTION!**

1. Do not move while the appliance is hot.
2. Due to safety reasons do not use this appliance with liquid fuels.
3. We strongly recommend that the bbq rotisserie grill shall be heated up and the fuel kept red-hot for at least 30 min prior to the first cooking;
4. Do not leave the appliance unattended during use.
5. Do not use the appliance near flammable objects (keep at a safe distance, at least 3 meters).
6. Do not leave the appliance unattended during use.
7. Do not cook before the fuel has a coating of ash.
8. If the motor is suddenly stuck, abnormal noise, smoke and other undesirable phenomena are found during the barbecue process, immediately cut off the power supply, and restart it after the maintenance is completed.
9. Always turn the rotisserie motor to "OFF" before opening the grill.



**WARNING!** This product rotisserie grill will become very hot, do not move it during operation.

**WARNING!** Keep children and pets away.

**WARNING!** In case of the danger of carbon monoxide poisoning, do not use the product rotisserie grill indoors.

**WARNING!** Do not use the barbecue in a confined and/or habitable space e.g. houses, tents, caravans, motor homes, boats.

**WARNING!** Remove all packaging materials and keep them for future use. Packaging materials are not a toy.

**WARNING!** Don't let children play with the packaging materials. If they swallow the packaging materials, they will suffocate!

**ATTENTION!** Always wear gloves when adjusting the grill, the handles of the grill can become very hot during the grilling process.

**IMPORTANT!** Do not pour water into the appliance while it is still hot.

**IMPORTANT!** Close the ventilation slider to extinguish the appliance.  
(Only applicable for appliance with ventilation slider)

## COOKING TIPS & HINTS

1. Always wash your hands before and after handling uncooked meat and before eating.
2. Always keep raw meat away from cooked meat and other foods.
3. Before cooking, ensure grill surfaces and tools are clean and free of old food residues.
4. DO NOT use the same utensils to handle cooked and uncooked foods.
5. Ensure all meat is cooked thoroughly before eating.

### CAUTION:

1. Eating raw or under cooked meat will cause food poisoning (e.g. bacteria strains such as Escherichia coli).
2. To reduce the risk of under cooked meat, cut the meat to ensure it is fully cooked.
3. If the meat is fully cooked, its juice should be clear and there should be no pink / red juice or traces of meat color.

4. Cooking larger pieces of meat and joints is recommended before finally cooking on the grill.
5. After cooking on your grill always clean the cooking surfaces and utensils.

## **CLEAING MAINTENANCE AND STORAGE**

1. For cleaning, wipe the surface with a damp (not wet) cloth or wipe dry with a clean lint free cotton cloth.
2. Window cleaning liquid or a similar cleaning liquid can be used to clean the surface.
3. Always unplug the machine before storage.
4. Always make sure the machine is cool and dry before string.
5. Store the appliance in a dry and clean area.



**VEVOR<sup>®</sup>**

**TOUGH TOOLS, HALF PRICE**

**Technical Support and E-Warranty Certificate**  
[www.vevor.com/support](http://www.vevor.com/support)

**Made in China**