

Part number list on following page.

Beginning Manufacturing Date: Feb 2007  
Ending Manufacturing Date: Oct 2016

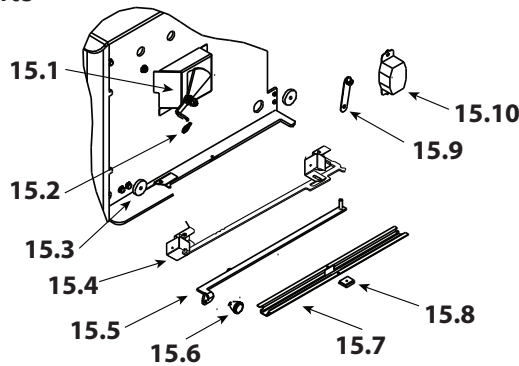
IMPORTANT: THIS IS DATED INFORMATION. Parts must be ordered from a dealer or distributor. **Hearth and Home Technologies does not sell directly to consumers.** Provide model number and serial number when requesting service parts from your dealer or distributor.



Stocked at Depot

| ITEM | DESCRIPTION   | COMMENTS       | PART NUMBER |   |
|------|---|----------------|-------------|---|
| 1    | Air Supply Back   |                | SRV7033-134 |   |
| 2    | Air Channel, Convection w/Bracket - <b>Retain original serial # label</b> |                | SRV7033-144 |   |
| 3    | Panel Assembly, Side, Left  |                | 7037-011    |   |
| 4    | ARS Access Cover  |                | SRV7038-196 |   |
|      | Handle, Access Cover  |                | SRV7038-197 |   |
| 5    | Tube Support Rack   |                | 7033-148    |   |
| 6    | Brick Retainer  |                | 7033-149    |   |
| 7    | Ceramic Fiber Blanket, 1/2 " Thick  |                | 832-3390    | Y |
| 8    | Baffle Board - 9-1/2" W x 15-3/4" H                                       | Qty: 2         | SRV7037-112 | Y |
| 9    | Rear Channel Assembly   |                | 7033-002    | Y |
| 10   | Label, Burn Rate  |                | SRV7033-160 |   |
| 11   | Panel Assembly, Side, Right   |                | 7037-010    |   |
| 12   | Label, Start-Up, Acc  |                | SRV7033-166 |   |
| 13   | Tube Channel Top - Access Cover   |                | SRV7033-237 |   |
| 14   | Tube, Channel Assembly  | Manifold Tubes | SRV7033-023 | Y |

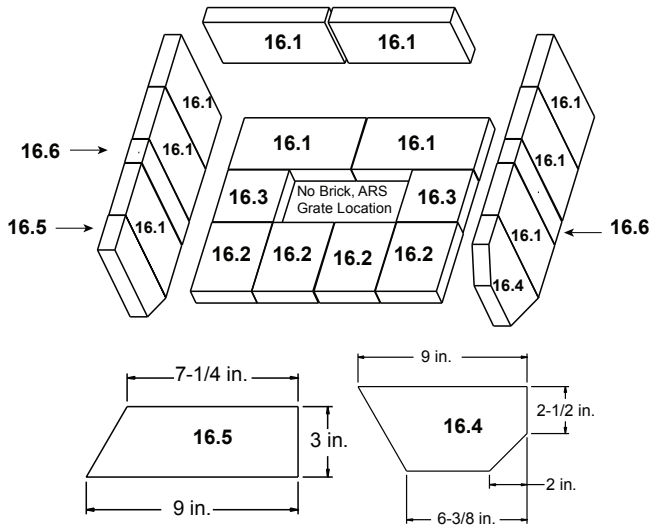
### #15 Burn Rate Controls & Associated Parts



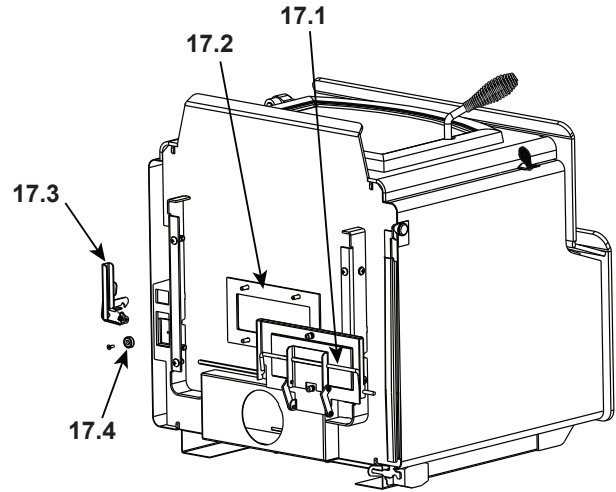
|       |  |        |             |   |
|-------|--|--------|-------------|---|
| 15.1  | Burn Rate Control Assembly                 |        | SRV7037-004 | Y |
| 15.2  | Spring Handle, 1/4"                        | Gold   | 832-0630    | Y |
|       |  | Nickel | 250-8340    | Y |
| 15.3  | Door Gasket - Front & Rear Air Timer Doors |        | 7033-282    | Y |
| 15.4  | Timer Air Control Assembly                 |        | SRV7037-018 | Y |
|       | Rear Air Door Assembly                     |        | 7037-013    | Y |
| 15.5  | Rear Air Control Arm Assembly              |        | 7037-005    | Y |
| 15.6  | Knob - Start-Up Control Knob               |        | SRV7000-343 |   |
| 15.7  | Air Control Rod Guide                      |        | 7033-210    |   |
| 15.8  | Latch, Magnet - For Air Control            |        | SRV229-0631 |   |
| 15.9  | Timer Arm Assembly                         |        | 7033-034    | Y |
| 15.10 | Timer (Only) Replacement Assembly          |        | SRV480-1940 | Y |

Additional service part numbers appear on following page.

**#16 Brick Assembly Set**



**#17 Door Assembly  
(Ash Pan Removal System)**



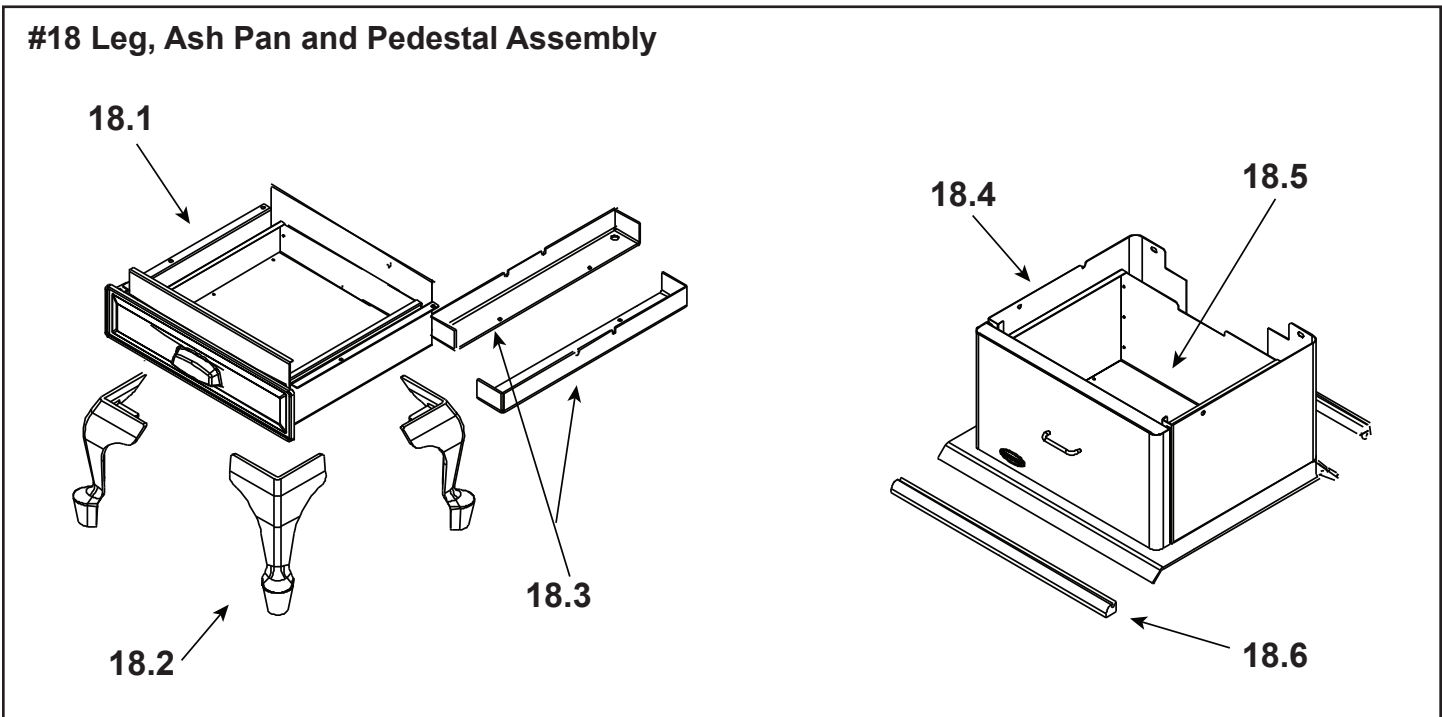
IMPORTANT: THIS IS DATED INFORMATION. Parts must be ordered from a dealer or distributor. **Hearth and Home Technologies does not sell directly to consumers.** Provide model number and serial number when requesting service parts from your dealer or distributor.



**Stocked at Depot**

| ITEM                              | DESCRIPTION                                  | COMMENTS     | PART NUMBER |   |
|-----------------------------------|--|--------------|-------------|---|
| 16                                | Brick Assembly, Complete Set                 | Pkg of 20    | SRV7037-012 |   |
| 16.1                              | Brick, 9 x 4.5 x 1.25"                       | Qty. 10 Reg. |             |   |
| 16.2                              | Brick, 6 x 4.5"                              | Qty. 4 Reg.  |             |   |
| 16.3                              | Brick, 9 x 4.5" with angle                   | Qty. 1 Reg.  |             |   |
| 16.4                              | Brick, 4.5 x 4.5 x 4.25"                     | Qty. 2 Reg.  |             |   |
| 16.5                              | Brick, 9 x 3" with angle                     | Qty. 1 Reg.  |             |   |
| 16.6                              | Brick, small                                 | Qty. 2 Reg.  |             |   |
|                                   | Brick, Uncut                                 | Pkg of 1     | 832-0550    |   |
|                                   |  | Pkg of 6     | 832-3040    |   |
| <b>#17 Ash Pan removal System</b> |  |              |             |   |
| 17.1                              | Door Assembly (ARS - Ash Pan Removal System) |              | SRV7033-015 | Y |
| 17.2                              | Gasket                                       |              | SRV7033-296 | Y |
| 17.3                              | Latch, Handle Assembly                       |              | SRV7033-047 | Y |
| 17.4                              | Magnet Round                                 |              | 7000-552    |   |

Additional service part numbers appear on following page.



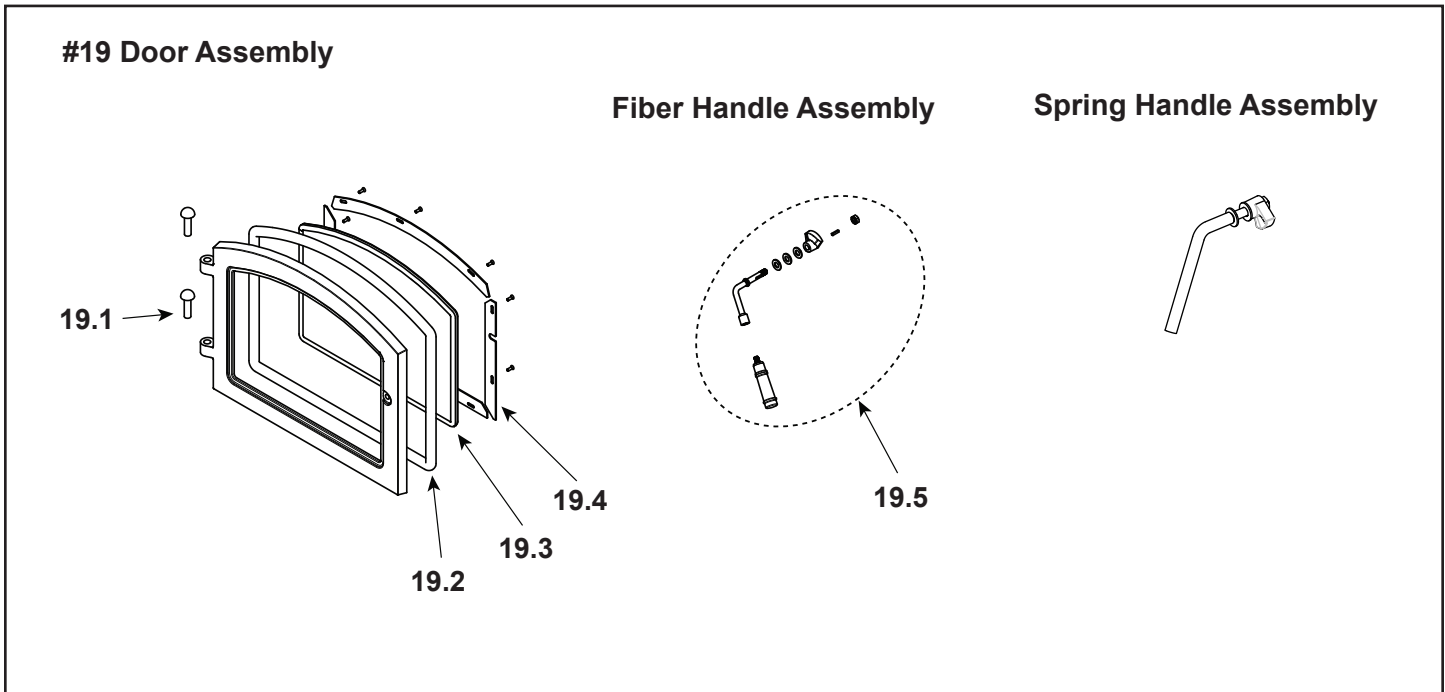
IMPORTANT: THIS IS DATED INFORMATION. Parts must be ordered from a dealer or distributor. **Hearth and Home Technologies does not sell directly to consumers.** Provide model number and serial number when requesting service parts from your dealer or distributor.



**Stocked at Depot**

| ITEM | DESCRIPTION  | COMMENTS                   | PART NUMBER |          |
|------|--|----------------------------|-------------|----------|
|      | Leg Kit  | Black                      | LEG-3143-BK |          |
|      |  | <b>No longer available</b> | LEG-3143-GD |          |
|      |  | Nickel                     | LEG-3143-NL |          |
| 18.1 | Ash Pan Assembly   |                            | 7033-008    |          |
| 18.2 | Legs, Queen Anne   | Black                      | 831-1240    |          |
|      |  | <b>No longer available</b> | 831-1250    |          |
|      |  | Nickel                     | LEGS-QANL   |          |
| 18.3 | Leg Mount Kit  |                            | SRV7037-132 |          |
|      | Ash Pan Leg (ARS - Ash Pan Removal System)   |                            | SRV7033-050 |          |
|      | Component Pack, Leg Step Top (Includes Gasket For Ash Removal, Magnet & Fasteners)           |                            | 7033-048    |          |
|      | Pedestal   |                            | PED-3143    |          |
| 18.4 | Pedestal Assembly  |                            | 7033-013    |          |
| 18.5 | Ash Pan Assembly   |                            | 7033-010    |          |
|      | Ash Pan Door Handle  |                            | SRV7033-274 |          |
|      | Outside Air Cover Plate Assembly   |                            | SRV7033-041 | <b>Y</b> |
|      | Component Pack, Pedestal, Leg Step Top (Includes Gasket For Ash Removal, Magnet & Fasteners) |                            | 7033-045    |          |
| 18.6 | Strip, Oak Trim  | <b>No longer available</b> | 832-0560    |          |

Additional service part numbers appear on following page.



IMPORTANT: THIS IS DATED INFORMATION. Parts must be ordered from a dealer or distributor. **Hearth and Home Technologies does not sell directly to consumers.** Provide model number and serial number when requesting service parts from your dealer or distributor.



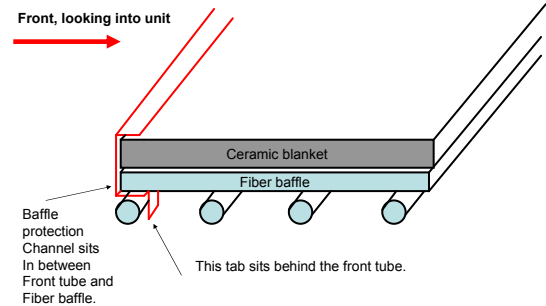
**Stocked at Depot**

| ITEM | DESCRIPTION   | COMMENTS                   | PART NUMBER   |   |
|------|---|----------------------------|---------------|---|
| 19   | Door Assembly   | Black                      | DR-31/43BK-FH |   |
|      |   | Nickel                     | DR-31/43NL-FH |   |
| 19.1 | Hinge Pins, 1/2"  | Qty: 2 Gold                | 832-0250      |   |
|      |   | Qty: 2 Nickel              | SRV430-5320   |   |
| 19.2 | Rope, Door, 3/4" x 84" - Field cut to Size  | 7 Ft Length                | 832-1680      | Y |
| 19.3 | Door Glass Assembly - 15-1/2" W x 13-3/8" H   |                            | 7000-012      | Y |
|      | Gasket, Glass Tape - Field cut to Size  | 5 Ft Length                | 832-0460      | Y |
| 19.4 | Glass Frame Set   | Qty: 4 Pc                  | 832-0350      |   |
| 19.5 | Door Handle Assembly  | Spring                     | 832-0540      |   |
|      |   | Fiber                      | SRV7033-071   |   |
|      | Spring Handle, 1/2"   | Gold                       | 832-0620      | Y |
|      |   | Nickel                     | 250-8330      | Y |
|      | Cam Latch   |                            | SRV430-1141   |   |
|      | Key, Cam Latch  |                            | SRV430-1151   |   |
|      | Nut, Locking Door Handle  | Pkg of 24                  | 226-0100/24   | Y |
|      | Formed Handle, Door   |                            | SRV430-1131   |   |
|      | Trim Ring, For Door (Trim door assembly only)   | <b>No longer available</b> | 430-2682      |   |
|      |   | <b>No longer available</b> | 430-5340      |   |
|      | Component Pack (Spring Handles (1) 1/2" & (2) 1/4", (2) Gold Hinge Pins, Quadra-Fire Logo | Black & Gold Doors         | 436-5350      |   |
|      |   | Nickel Door                | 436-5360      |   |

Additional service part numbers appear on following page.

## Baffle Protection Channel

### Side view



**IMPORTANT: THIS IS DATED INFORMATION.** Parts must be ordered from a dealer or distributor. **Hearth and Home Technologies does not sell directly to consumers.** Provide model number and serial number when requesting service parts from your dealer or distributor.



**Stocked at Depot**

| ITEM      | DESCRIPTION   | COMMENTS     | PART NUMBER   |   |
|-----------|---|--------------|---------------|---|
| 20        | Baffle Protection Channel                                 |              | SRV7033-298   |   |
|           | Blower, Convection - Replacement Blower                   |              | 812-4900      | Y |
|           | Component Pack  |              | 7037-017      |   |
|           | Blower Assembly   |              | BK-ACC        |   |
|           | Blower Control Box W/Switch                               |              | SRV7000-194   | Y |
|           | Channel, Ash Removal                                      |              | 7033-172      |   |
|           | Component Pack  |              | 7033-051      |   |
|           | Door Handle Assembly                                      |              | 832-0540      | Y |
|           | Gasket, Manifold  | Pkg of 4     | 7038-168/4    | Y |
|           | Logo, Quadra-Fire, Black                                  | Pkg of 10    | 7000-694/10   |   |
|           | Outside Air Collar Assembly                               |              | 7033-039      |   |
|           | Outside Air Kit, Floor & Rear                             |              | OAK-ACC       |   |
|           | Outside Air Shield  |              | SRV33271      | Y |
|           | Paint Touch-Up  |              | 812-0910      |   |
|           | Snap Disc Bracket Assembly                                |              | SRV7033-036   |   |
|           | Snap Disc, # 1, Convection Blower                         |              | SRV230-0470   | Y |
|           | Upgrade, Door, Nickel - Nickel Handles, Hinge Pins & Logo |              | UK-DRNL       |   |
|           | Wire Harness (Blower)                                     |              | 7033-262      |   |
| FASTENERS |   |              |               |   |
|           | Avk Rivnut Repair Kit - 1/4-20 & 3/8-16 Rivnut Tools      |              | RIVNUT-REPAIR | Y |
|           | Bolt, Hex Head, 1/4-20 X 1                                | Pkg of 10    | 25221A/10     | Y |
|           | Button Head 1/4-20 X .5                                   | Pkg of 20    | 32328/20      | Y |
|           | Nut, Keps Lock, 10-32                                     | Pkg of 40    | 226-0050/40   | Y |
|           | Nut, Keps Lock, 8-32                                      | Pkg of 40    | 226-0060/40   | Y |
|           | Nut, Ser Flange Small 1/4-20                              | Pkg of 24    | 226-0130/24   | Y |
|           | Plug, Trimount, .250"                                     | Pkg of 24    | 229-0880/24   | Y |
|           | Screw, Sheet Metal #8 X 1/2 S-Grip                        | Pkg of 40    | 12460/40      | Y |
|           | Screw, Flat Head Philips 8-32 x 1/2                       | Pkg of 10    | 832-0860      | Y |
|           | Washer, Sae, 3/8  | Pkg of 3 ea. | 832-0990      | Y |
|           | Washer, 1/4 Sae   | Pkg of 24    | 28758/24      | Y |