



## Pellet Fueled Ceramic Egg

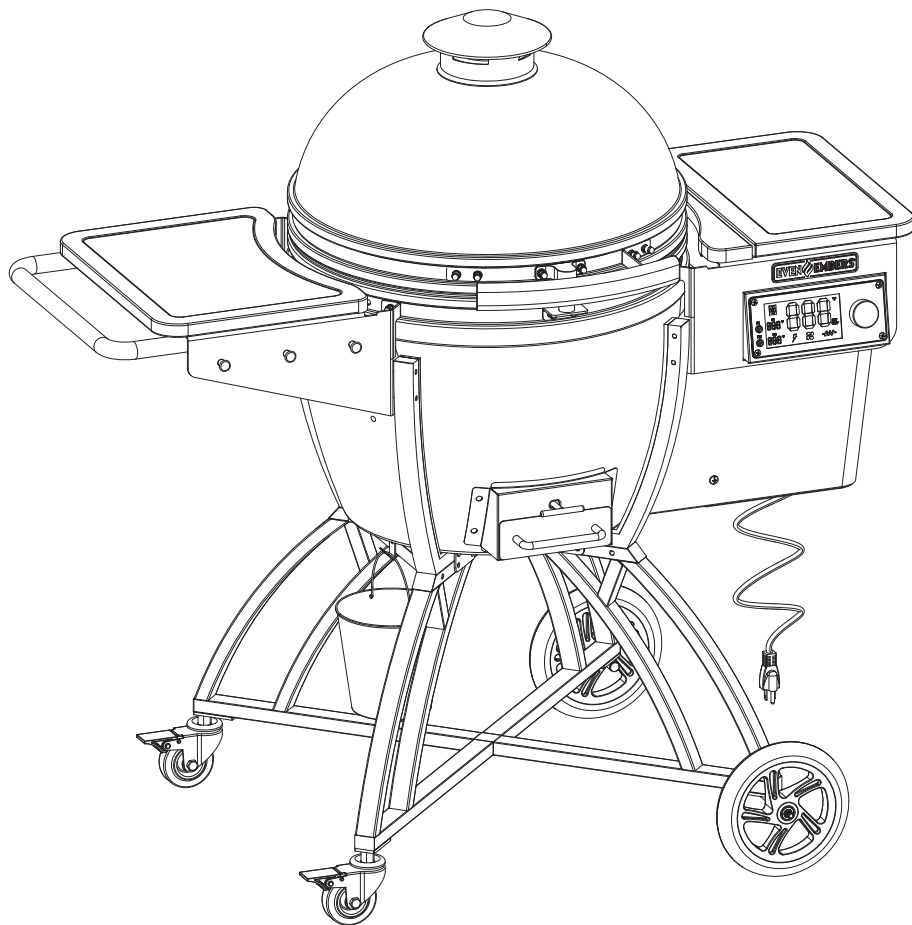
### OWNER'S MANUAL OPERATING INSTRUCTIONS

**SAVE THIS MANUAL FOR FUTURE REFERENCE**

### Model EGG1000AS

**NOTICE TO INSTALLER:  
LEAVE THESE INSTRUCTIONS  
WITH THE GRILL OWNER  
FOR FUTURE REFERENCE.**

**⚠ WARNING**  
READ ALL INSTRUCTIONS BEFORE INSTALLING AND USING APPLIANCE. FAILURE TO FOLLOW THESE INSTRUCTIONS COULD RESULT IN PROPERTY DAMAGE, BODILY INJURY OR EVEN DEATH. CONTACT LOCAL BUILDING OR FIRE OFFICIALS ABOUT RESTRICTIONS AND INSTALLATION INSPECTION REQUIREMENTS IN YOUR AREA. SAVE THESE INSTRUCTIONS.



# IMPORTANT SAFETY WARNINGS

WE WANT YOU TO ASSEMBLE AND USE YOUR GRILL AS SAFELY AS POSSIBLE.

THE PURPOSE OF THIS SAFETY ALERT SYMBOL 

IS TO ATTRACT YOUR ATTENTION TO POSSIBLE HAZARDS AS YOU ASSEMBLE AND USE YOUR GRILL & SMOKER.

WHEN YOU SEE THE SAFETY ALERT SYMBOL, PAY CLOSE ATTENTION TO THE INFORMATION WHICH FOLLOWS!

 READ ALL SAFETY WARNINGS AND INSTRUCTIONS CAREFULLY  
BEFORE ASSEMBLING AND OPERATING YOUR GRILL & SMOKER.

## WARNING

 Do NOT use in humid or wet conditions

## WARNING

1. Improper installation, adjustment, service or maintenance can cause injury or property damage.
2. Read all instructions and guidelines carefully and thoroughly before installation, use or service.
3. Failure to follow these instructions could result in fire or electrical shock.

## DANGER

 NOT for use in or on boats or recreation vehicles.

## DANGER




1. Do not store or use gasoline, liquid propane or any other flammable vapors or liquids in the vicinity of this appliance.


**A MAJOR CAUSE OF FIRES IS FAILURE TO MAINTAIN REQUIRED CLEARANCES (AIR SPACES TO COMBUSTIBLE MATERIALS). IT IS OF UTMOST IMPORTANCE THAT THIS PRODUCT BE INSTALLED ONLY IN ACCORDANCE WITH THESE INSTRUCTIONS.**

# TABLE OF CONTENTS:


General Warnings . . . . .	3-4
Operating the Grill . . . . .	5-9
Proper Care and Maintenance . . . . .	10
Transporting and Storage. . . . .	11
Grill Cooking Tips. . . . .	11
Trouble Shooting . . . . .	12
Wiring Diagram. . . . .	13
Wiring Diagram. . . . .	13
Assembly Instructions . . . . .	15-27
Warranty Information . . . . .	Back Cover

 **DANGER:** Indicates an imminently hazardous situation which, if not avoided, will result in death or serious injury.

 **WARNING:** Be alert to the possibility of serious bodily injury if the instructions are not followed. Be sure to read and carefully follow all of the messages.

 **CAUTION:** Indicates a potentially hazardous situation which, if not avoided, may result in minor or moderate injury.

## CALIFORNIA PROPOSITION 65 WARNING

 **WARNING:** This product can expose you to chemicals, including carbon monoxide, which are known to the State of California to cause birth defects or other reproductive harm.

*For more information go to [www.P65Warnings.ca.gov](http://www.P65Warnings.ca.gov)*

 **WARNING: CONTAINS LEAD. MAY BE HARMFUL IF EATEN OR CHEWED. COMPLIES WITH FEDERAL STANDARDS. KEEP OUT OF REACH OF CHILDREN.**

# GENERAL WARNINGS:

## **⚠ WARNING**

When using electric appliances, basic safety precautions should always be followed including the following:

- Operate only per manufacturers instructions.
- Keep all combustible materials at least 60 inches (152.4 cm) away from the grill at all times. Do not use this grill under any overhang or near any combustible structures.
- Minimum clearance from side and back of unit to combustible materials, 60 inches (152.4 cm) from side and 60 inches (152.4 cm) from back.
- DO NOT use on wood decks. Set up this grill on a hard, non-combustible smooth level surface.
- Do not block ventilation and air circulation areas in sides, back or cart compartment of grill.
- In case of fire, turn the controller “OFF”: Unplug the grill from the power source and allow the fire to burn out on its own. Do not use water to try to extinguish a fire.
- Keep a fire extinguisher on hand acceptable for use with electric products. Refer to your local authority to determine proper size and type.
- Creosote – Formation and need for removal. When wood pellets are burned slowly, they produce tar and other organic vapors that combine with expelled moisture to form creosote. The creosote vapors condense in a relatively cool oven flue and exhaust hood of a slow burning fire. As a result, creosote residue accumulates on the flue lining and exhaust hood. When ignited, this creosote makes an extremely hot fire.
- The grease duct should be inspected at least twice a year to determine when grease and/or creosote buildup has occurred.
- When grease or creosote has accumulated, it should be removed to reduce risk of fire.
- Do not attempt to touch cooking surfaces or other hot surfaces. Use handles or knobs.
- To protect against electric shock, do not immerse cord, plugs, or heating element in water or any other liquids.
- Never leave appliance unattended. Hot while in operation. Keep children, clothing and furniture away. Contact may cause burns.
- Unplug this grill from the power source when not in use and before cleaning. Allow appliance to cool down before attempting to clean or service.
- Do not operate any appliance with a damaged power cord or plug, or after the appliance has malfunctioned or been damaged in any manner.
- Do not use accessories not specified for use with this appliance.
- Remove pots and pans while the operating appliance is unattended, to reduce the risk of fire.
- Do not place power cord where it may come in contact with hot surfaces, or pose a tripping hazard.
- Do not use this appliance for anything other than its intended use.
- NEVER add cooking pellets to a hot fire pot by hand. You could be seriously burned. If the hopper runs out of pellets or your fire goes out while cooking, let the grill completely cool and follow the Initial Lighting Instructions.
- Use only cooking grade wood pellets. Never use heating grade wood pellets as they are not safe for cooking.
- Always store wood pellets away from heat and in a dry location.
- NEVER use gasoline, gasoline-type lantern fuel, kerosene, charcoal lighter fluid, or similar liquids to start or “freshen up” a fire in this appliance. Keep all such liquids well away from the appliance when in use.
- This grill is not for use indoors. Do not use inside a building, garage or any other enclosed area.
- This product is not designed for commercial use.

- This product is not designed for tabletop use. Do not set this product on a tabletop.
- Do not cover cooking grate with aluminum foil. If you cover the grease tray with foil, do not block the openings between grease tray and grill body and cut a hole for grease drainage.
- Do not block the exhaust on chimney.
- Outdoor extension cords must be used with outdoor use products and are marked with suffix “W” and with the statement “Suitable for Use with Outdoor Appliances.”
- Only use a properly-grounded power source.
- Use only with a properly-grounded GFCI (Ground Fault Circuit Interrupter) household circuit.
- Do not operate this product in rain or wet conditions. Do not allow this product to come in contact with water. Set this product up more than 10’ from any large body of water (swimming pool, lake, pond, etc).
- CAUTION - To reduce the risk of electric shock, keep extension cord connection dry and off the ground.
- Never alter or remove the grounding plugs on the power cord or household outlet.
- Disconnect electric cord from outlet before cleaning.
- Keep appliance clean. See Proper Care and Maintenance section for cleaning.
- Do not operate this grill while under the influence of drugs, alcohol, or while fatigued.
- Do not use in the presence of explosive or flammable gases, vapor or other substances.
- Do not use this grill unless it is completely assembled and all parts are securely fastened and tightened.
- Use only identical replacement parts.
- Do not use this product in high winds.
- Do not attempt to move this appliance while it is in use.
- Always open the grill hood carefully - heat and steam trapped inside the hood can burn.
- Do not use this product for indoor heating, as toxic fumes will accumulate.
- After a period of storage, inspect the grill for abrasion, wear, cuts, or damage to the temperature controller and power cord.
- Always use a meat thermometer to ensure food is cooked to a safe temperature.
- Keep grill covered when not in use - out of the reach of children. Do not clean this product with a water spray or the like.
- Unplug from outlet when not in use and before cleaning. Allow to cool before putting on or taking off parts.
- Do not operate any appliance with a damaged cord or plug or after the appliance malfunctions or is dropped or damaged in any manner.

Follow these guidelines to prevent this colorless, odorless gas from poisoning you, your family or others.

- Know the symptoms of carbon monoxide poisoning; headache, dizziness, weakness, nausea, vomiting, sleepiness and confusion. Carbon monoxide reduces the blood’s ability to carry oxygen. Low blood oxygen levels can result in loss of consciousness and death.
- See a doctor if you or others develop cold or flu-like symptoms while cooking or in the vicinity of this appliance. Carbon monoxide poisoning, which can easily be mistaken for a cold or flu, is often detected too late.
- Alcohol consumption and drug use increase the effects of carbon monoxide poisoning.
- Carbon monoxide is especially toxic to mother and child during pregnancy, infants, the elderly, grills and people with blood or circulatory system problems, such as anemia or heart disease.

**⚠ USE CAUTION AND COMMON SENSE WHEN OPERATING YOUR PELLET GRILL & SMOKER. FAILURE TO ADHERE TO THE SAFETY WARNINGS AND GUIDELINES IN THIS MANUAL COULD RESULT IN SEVERE BODILY INJURY OR PROPERTY DAMAGE. SAVE THIS MANUAL FOR FUTURE REFERENCE.**

## **OPERATING THE GRILL:**

### **⚠WARNING**

**Read and follow all warnings and instructions contained in the preceding sections of this manual.**

#### **BREAKING IN YOUR GRILL:**

- In manufacturing and preserving the components of your grill, oil residue may be present on the cooking surfaces of your grill.
- Before cooking on your grill for the first time you should follow “Initial Lighting Instructions” to ensure the auger is fully charged with pellets.

#### **PREHEATING GRILL:**

- Prior to use, it is recommended that you preheat your grill. This ensures that the cooking grate are at the desired temperatures to sear the food sugars when cooking. Preheat the grill for 15 to 20 minutes or until it reaches the desired temperature before adding food. Close the lid during the preheat period.
- For searing, allow the controller to reach 550°F and then wait an additional 15 minutes for the cooking grate to fully heat up.

### **⚠WARNING**

- **DO NOT** leave your grill unattended while in use.
- **DO NOT** move grill when in use. Lock wheels in place to stabilize grill.
- **DO NOT** use water to extinguish flare-ups.

#### **IF AN EXTENSION CORD IS NECESSARY:**

- Use a CSA or UL approved 3-prong grounded extension cord that is rated for at least 7-10 Amp and is marked as suitable for outdoor use.
- Keep the power cord connection dry and off of the ground.
- Avoid running the power or extension cord across walkways, driveways, or anywhere where it could pose a tripping hazard.

#### **TURNING ON THE GRILL:**

**Initial Lighting Instructions** (To be used on initial firing or anytime the grill runs out of pellets)

Always allow the auger tube to fully load with pellets to ensure proper lighting of the grill.

- Step 1** Open hood to cooking chamber and remove cooking grate and grease tray. Flip up heat baffle to expose fire pot. Leave hood open.

**Step 2** Plug power cord into a GFCI (grounded) outdoor electrical outlet. Use only a GFCI (grounded) protected circuit, never remove the grounding plug or use with an adapter of 2 prongs; and use only extension cords with a 3 prong grounding plug, rated for the power of the equipment, and approved for outdoor use with a W-A marking.

**Step 3** Open the pellet hopper lid. Make sure the auger is free from debris and other objects. Push control knob in to turn it “ON” and the temperature will automatically set to 175°F.

**Step 4** Place your hand about 3” above the fire pot and make sure the the exhaust fan is blowing and the ignitor is getting hot, this will take a couple of minutes. The ignitor may not glow red. **DO NOT TOUCH THE IGNITOR!** Push and hold control knob for 2 to 3 seconds to turn “OFF”.

**Step 5** Fill the pellet hopper with cooking pellets. **NEVER USE HEATING FUEL PELLETS AS THEY ARE NOT SAFE FOR COOKING.**

**Step 6** Push the control knob in to turn “ON” (175°F).  
**NOTE:** During the initial loading of the auger tube, it will take approximately 2 minutes for the pellets to move from the pellet hopper to the fire pot

**Step 7** When the pellets start falling into the fire pot, push and hold control knob for 2 to 3 seconds to turn “OFF”.

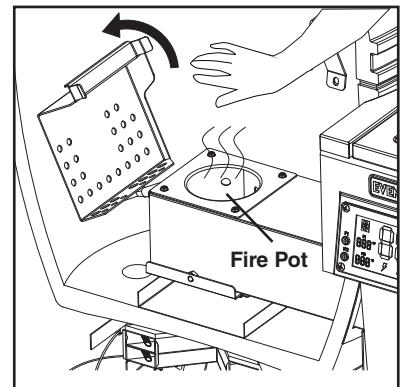
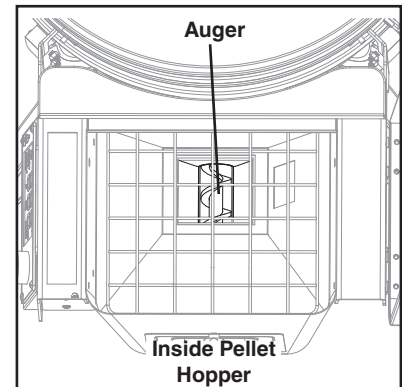
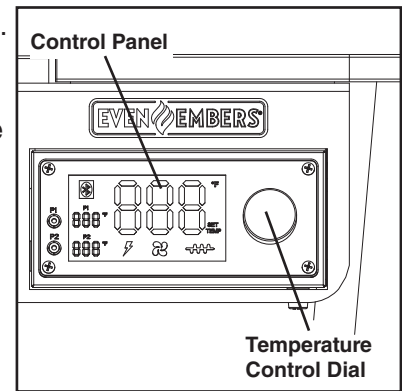
**Step 8** Flip the heat baffle down into place and replace the grease tray and cooking grate into the cooking chamber.

**Step 9** Keep the cooking chamber lid open. Push control knob in to turn it “ON” (175°F). You should see smoke coming out of the cooking chamber as the pellets ignite in about 2 to 4 minutes.

**NOTE:** The ignitor will stay on for the first 8 minutes and then turn off.

**Step 10** Close cooking chamber lid and set the temperature control knob to the desired setting. See note below for curing process.

**NOTE:** Curing the grill is highly recommended before first use. Close cooking chamber lid and set temperature control knob to 400°F and allow grill to cure for 45 minutes. This will burn off any oil or paint residue inside the cooking chamber before cooking for the first time.



## SUBSEQUENT LIGHTING INSTRUCTIONS:

**Step 1** Open pellet hopper lid and check the pellet level. Add more pellets if necessary.

**⚠ WARNING:** NEVER add cooking pellets to a hot fire pot by hand. You could be seriously burned.

**Step 2** Open cooking chamber lid and push in control knob to turn “ON” (175°F). You should see smoke coming out of the cooking chamber as the pellets ignite in about 2 to 4 minutes.

**NOTE:** Always start the grill on 175°F setting with the cooking chamber lid open.

**Step 3** Close cooking chamber lid and set the temperature control knob to the desired setting. For best results, preheat the grill for 15 to 20 minutes with the lid closed before placing food in the grill.

**Step 4** To set temperature: 1. Tap control knob, 2. Rotate knob to desired temperature, 3. Tap control knob to finish.

**Follow these steps if the grill does not ignite or if the fire in the fire pot goes out while cooking:**

**Step 1** Turn the temperature control knob to “OFF” and unplug. Open cooking chamber lid and remove all food, cooking grate, grease tray and heat baffle plate.

**⚠ CAUTION:** Some parts may contain sharp edges. Wear protective gloves if necessary.

**⚠ WARNING:** Always use oven mitts/gloves to protect your hands. Metal parts become hot during use. Use extreme caution when handling cooking grate, grease tray and baffle.

**Step 2** Open Ash Clean-out to remove all pellets and ash from the fire pot. Close ash clean-out.

**Step 3** Restart the grill and check that the ignitor is working. The ignitor should get hot after 2 minutes and pellets should be falling into the fire pot from the auger tube.

**Step 4** Wearing oven mitts/gloves, replace the baffle, grease tray and cooking grate.

**Step 5** Preheat the grill for 10 to 15 minutes with the lid closed before placing food back in the grill. If this procedure is not successful, see Trouble Shooting section in your owner’s manual.

**MANUAL START-UP PROCEDURE (To be used if Hot Rod is not working properly):**

**Step 1** Plug the power cord into a grounded power source.

**Step 2** Check fire pot to ensure there is no obstruction for proper ignition. Fill pellet hopper with cooking grade pellets.

**Step 3** Open the hood. Remove the cooking grate, grease tray, and heat baffle to expose the fire pot. Place a small handful of pellets into the fire pot. Squirt a gelled fire starter, or other appropriate pellet starter, over the top of the pellets. A small amount of solid fuel fire starter, such as those composed of sawdust and wax, or wood shavings, is also recommended. Add another small handful of pellets in the fire pot.

NOTE: Do not use gasoline, lighter fluid, kerosene, or petrol for lighting a fire in your grill

**Step 4** Light the contents of the fire pot using a long match or a long lighter. Allow the starter to burn 3 to 5 minutes. Do not attempt to add more starter into the fire pot as this can cause injury.

**Step 5** Quickly and carefully replace the heat baffle, grease tray, and cooking grate. Continue on from step 2 of the “Subsequent Lighting Instructions.”

**TURNING OFF THE GRILL:**

- Push and hold the control knob for 2 to 3 seconds to turn “OFF”. An auto cool down feature will keep the fan running for 15 minutes. If you don’t allow the grill to run the cool down feature it can cause a fire in the fire pot and catch the pellet hopper on fire.
- Unplug the power cord from the wall outlet.

**⚠ WARNING:** NEVER add cooking pellets to a hot fire pot by hand. You could be seriously burned. If the hopper runs out of pellets or your fire goes out while cooking, let the grill completely cool and follow the Initial Lighting Instructions.

**COOKING:**

- Set controller to desired temperature and allow temperature to be reached.
- Place food on cooking grill.
- With hood closed, cook until desired internal temperature is reached.
- Use caution when removing food from Pellet Grill. All surfaces are HOT and may cause burns. Use protective gloves or long, sturdy cooking tools to remove food.
- This grill is HOT while in use and will remain HOT for a period of time afterwards. **Use caution.**
- Pellet grills do not provide smoke 100% of the time. Even though you don’t see smoke you are still getting smoke flavor.



## OPERATING TIPS:

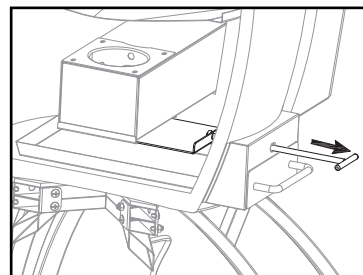
- Your Pellet Grill should never be moved while it is hot. If you are transporting your grill in a vehicle after cooking on it, make sure the fire is completely out and the grill is cold before placing it in any vehicle. NEVER put water into the fire pot. It will jam the auger and can damage the ignitor.
- The Pellet Grill is designed to operate with the lid closed.
- The temperature readout is an approximate and can be affected by the following factors: outside ambient temperature, the amount and direction of wind, the quality of pellet fuel being used, the lid being opened, and the quantity of food.
- When selecting a temperature setting, the auger will feed pellets for several minutes. This will momentarily raise the temperature, but the temperature will decrease and stabilize after 10-15 minutes.
- The auger will not run 100% of the time, it cycles on and off depending on the temperature setting.
- Hot weather can cause the temp to drop very slowly and make it more difficult to cook at lower settings.
- Pellets can hang up in the pellet hopper after cooking for a long period of time. It's important to monitor the pellet level and mix the pellets by hand to ensure they flow into the auger.

- **Ash Clean-Out:**

Before each use, open ash clean-out to get rid of ash and burnt pellets.

1. Pull Ash Clean-Out Handle to open ash door.

Note: Make sure Ash Tray is in place before emptying ash.

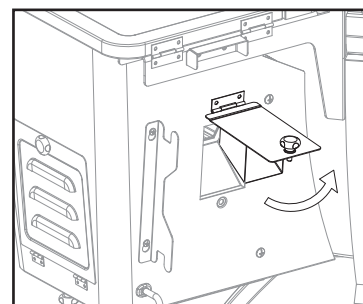


- **Pellet Hopper Clean-Out:**

If grill will be left un-attended for a long period of time, we recommend you remove unused pellets. Always store wood pellets away from heat and in a dry location.

1. Unscrew knob and open Hopper Clean-Out door.

Note: Make sure to hold a pail or bag in place before emptying pellets.

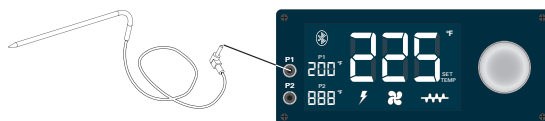


- **Meat Probes:**

Plug the meat probe into the pellet control panel as shown. You can read the temperature of

Probe 1 on the left side of the display screen.

Example: "P1:225" — means Probe 1's temperature is 225 degrees Fahrenheit.



- **Bluetooth App:**

1. Your grill is Bluetooth capable.
2. This Bluetooth app allows you to monitor the internal grill temperature as well as the two meat probe temperatures.
3. The Bluetooth range is around 120 ft. and can vary with obstructions such as interior and exterior walls.
4. Download the app and turn your grill on. The Bluetooth icon on the grill control panel will flash until it connects with your phone. Once connected the icon will remain lit.

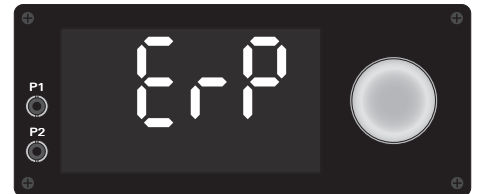


## COOK MODE:

- The temperature dial can be changed at any time to increase or decrease the cooking temperature of the grill.
  - The 175°F to 300°F temperature settings are for slow cooking/smoking.
  - The 325°F to 500°F temperature settings are for grilling.
  - The 550°F temperature setting is for searing.

## ERROR CODES:

- “ErP” – Thermocouple may be unconnected or damaged.
- “ErH” – High Temp Limit indicates that the temperature in the cooking chamber has exceeded 650°F.
- “ErL” – Low Temp Limit indicates that the temperature in the cooking chamber is below 120°F for more than 30 minutes.
- “Temp + ⚡” – Temperature with Hot Rod flashing means Hot Rod is not working properly. Hot Rod may be unhooked or damaged. You may still use the grill, follow “Manual Start-Up Procedure”.
- “Err + 🌀” – Error with Fan flashing means Fan is not working properly. Fan may be unconnected or damaged.
- “Err + 🌀” – Error with Auger flashing means Auger is not working properly. Auger may be unconnected or damaged.



## PROPER CARE & MAINTENANCE:

- Remove wood pellets from hopper if grill will not be used for a long period of time. Wood pellets can become soggy due to moisture/humidity and can cause the auger to bind up or not push pellets to burn chamber.
- Disposal of ashes – Ashes should be placed in a metal container with a tight-fitting lid. The closed container of ashes should be placed on a non-combustible floor or on the ground, well away from all combustible materials, pending final disposal. When the ashes are disposed by burial in soil or otherwise locally dispersed, they should be retained in the closed container until all cinders have thoroughly cooled.
- It's important to keep your grill always covered when not in use to avoid rain getting inside the grill and damaging the grill and/or cause excessive corrosion. The grill and pellets must be kept dry in order to function properly.
- Wash cooking grate and heat distribution plate with hot, soapy water, rinse well and dry. Lightly coat cooking grill with vegetable oil or vegetable oil spray.
- Clean inside and outside of grill by wiping off with a damp cloth. Apply a light coat of vegetable oil or vegetable oil spray to the interior surface to prevent rusting.
- Never apply paint to the interior surface. Rust spots on the interior surface can be buffed, cleaned, the lightly coated with vegetable oil or vegetable oil spray to minimize rusting.
- Depending on use, periodically remove the cooking grate, grease tray and heat distribution plate to clean the ash from in and around the fire pot. Make sure the grill is cold before starting this procedure.

### HELPFUL HINTS:

- If you pre-cook meat or poultry, do so immediately before grilling.
- Never defrost meat at room temperature or on a counter top.
- Refrigerate leftovers within 2 hours of taking food off the grill.
- For additional information, please phone the USDA's toll free Meat & Poultry Hotline at 800-535-4555.

### CLEANING AND MAINTENANCE:

- Keep the appliance free and clear of combustible materials, gasoline and other flammable vapors and liquids.
- For safe grilling and peak performance of your grill, perform these checks at least twice per year or after extended periods of storage.
- Be sure to tighten up all hardware (nuts, bolts, screws, etc.) at least twice per year.
- **⚠ CAUTION:** Some parts may contain sharp edges. Wear protective gloves if necessary.
- Remove the cooking grate, from inside your grill. Use a brush with hot water and detergent to remove excess residue. NEVER use a commercial oven cleaner. Rinse completely with water. Towel dry and replace all components as described in the assembly instructions.

# TRANSPORTING AND STORAGE:

## **⚠ WARNING**

- **Never move a grill when it is hot or when objects are on the cooking surfaces.**
- **Never store flammable liquids or spray canisters under or near the grill.**
- **DO NOT extinguish grease fires using water.**

### **BEFORE STORING YOUR GRILL:**

- Clean all surfaces.
- If storing the grill outdoors, close the wood pellet lid and cover the grill with a cover for protection from the weather.
- If the grill is stored outside during the rainy season, care should be taken to ensure that water does not get into the pellet hopper. Wood pellets, when wet, expand greatly and will jam your auger.

## **GRILL COOKING TIPS:**

### **CLEANLINESS:**

- Always wash hands thoroughly with soap and hot water prior to handling food and after handling raw meat, uncooked poultry or seafood.
- When using a platter to carry raw meat, uncooked poultry or seafood to the grill, make sure to wash the platter thoroughly with soap and hot water before placing cooked foods back on the platter or use different platters for raw and cooked foods.
- Never use the same utensils when handling raw meat, uncooked poultry or seafood unless you wash the utensils thoroughly with soap and hot water.
- Never re-use marinade from raw meat or uncooked poultry on foods that have been cooked and are ready to be served.

### **GRILLING TO PROPER TEMPERATURE:**

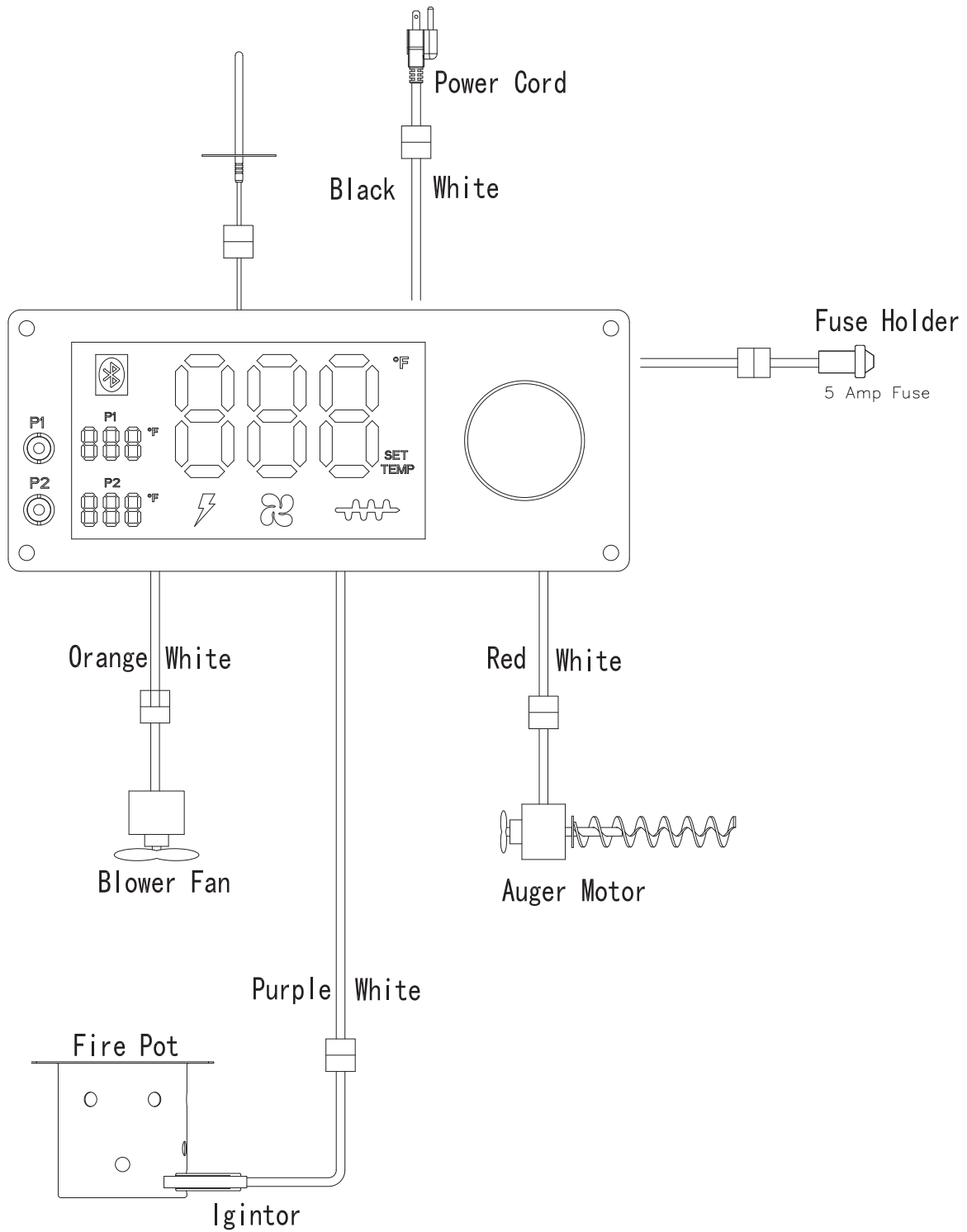
- Use a meat thermometer to be sure food has reached a safe internal temperature.
- The US Department of Agriculture recommends the minimum temperature be reached for the following food items:

<b>Chops</b> .....	145 degrees F (62.8° C)
<b>Ground Meat</b> .....	160 degrees F (71° C)
<b>Pork</b> .....	145 degrees F (62.8° C)
<b>Poultry</b> .....	165 degrees F (73.9° C)
<b>Roasts</b> .....	145 degrees F (62.8° C)
<b>Seafood</b> .....	145 degrees F (62.8° C)
<b>Vegetables</b> .....	145 degrees F (62.8° C)

# TROUBLE SHOOTING:

PROBLEM	CAUSE	CORRECTION
<b>LCD screen will not light up</b>	<ol style="list-style-type: none"> <li>1. Grill is not plugged in.</li> <li>2. The fuse is blown.</li> <li>3. Check that the GFCI outlet has not been tripped.</li> <li>4. Control knob is in the "OFF" position.</li> </ol>	<ol style="list-style-type: none"> <li>1. Make sure the grill is plugged into a working power source. Check and make sure wire connections are properly connected.</li> <li>2. Check the fuse and see if it has blown and needs to be replaced. Use 5 Amp Fuse.</li> <li>3. Reset GFCI outlet.</li> <li>4. Control knob is still in the "OFF" position. Push in the control knob to 175° F to start-up the grill. The LCD screen should turn on.</li> </ol>
<b>Grill is not getting hot enough</b>	<ol style="list-style-type: none"> <li>1. Adjust temperature control knob on temperature controller.</li> <li>2. Avoid the temptation to check food too often.</li> <li>3. Verify that there are pellets in pellet hopper.</li> <li>4. Fire goes out at lower setting.</li> </ol>	<ol style="list-style-type: none"> <li>1. Turn up heat on the control knob.</li> <li>2. Opening the hood allows heat to escape and causes the temperature to vary drastically from the set temperature.</li> <li>3. Add pellets and allow sufficient time for the pellets to travel from the pellet hopper to the fire pot (can take up to 5 minutes).</li> <li>4. Excess ash. Remove all unburned pellets and ash from the fire pot using the ash clean-out. CAUTION! ASSURE THAT THE GRILL IS COLD TO AVOID A FIRE FROM HOT ASH.</li> </ol>
<b>Pellets will not light</b>	<ol style="list-style-type: none"> <li>1. Auger not primed.</li> <li>2. Auger is jammed.</li> <li>3. Ignitor has failed.</li> </ol>	<ol style="list-style-type: none"> <li>1. Before the unit is used for the first time or anytime the hopper is emptied, allow the auger tube to fully load with pellets to ensure proper lighting of the grill. Follow <b>Initial Lighting Instructions</b>.</li> <li>2. Remove all components inside the firebox. Turn on the grill to 175° F and inspect the auger.</li> <li>3. Ignitor needs to be replaced. Contact our Customer Service dept. for a replacement part. Follow <b>Manual Start-Up Procedure</b> to continue use of the grill.</li> </ol>
<b>Grill is getting too hot</b>	<ol style="list-style-type: none"> <li>1. Adjust temperature control</li> </ol>	<ol style="list-style-type: none"> <li>1. Reduce heat by reducing the selected temperature setting.</li> </ol>
<b>Smoke comes out of pellet hopper</b>	<ol style="list-style-type: none"> <li>1. This is normal due to the air pressure inside the grill. The amount of smoke can vary depending on cooking conditions.</li> <li>2. Unplugged grill too soon.</li> </ol>	<ol style="list-style-type: none"> <li>1. This condition will not affect cooking.</li> <li>2. Once the grill is turned off the fan will continue to run for 5 minutes. If you do not allow the grill to go through the cool down process it can cause fire to transfer to the auger tube.</li> </ol>
<b>Temperature fluctuations</b>	<ol style="list-style-type: none"> <li>1. Temperature fluctuations are normal for pellet grills. Any significant fluctuations can be caused by wind, air temperature, improper use, or lack of grill maintenance.</li> </ol>	

# WIRING DIAGRAM:



**IC: 25523-EGG1000AS**

**FCC ID: 2AURUEGG1000AS**

The device complies with part 15 of the FCC Rules.

Operation is subject to the following two conditions:

- (1) This device may not cause harmful interference, and
- (2) this device must accept any interference received, including interference that may cause any undesired operation.

#### **FCC Warning**

**Warning:** Changes or modifications to this smoker not expressly approved by the party responsible for compliance could void the user's authority to operate the equipment.

#### **FCC Statement**

This equipment has been tested and found to comply with the limits for a Class B digital device, pursuant to Part 15 of the FCC Rules. These limits are designed to provide reasonable protection against harmful interference in a residential installation. This equipment generates, uses and can radiate radio frequency energy and, if not installed and used in accordance with the instructions, may cause harmful interference to radio communications.

However, there is no guarantee that interference will not occur in a particular installation. If this equipment does cause harmful interference to radio or television reception, which can be determined by turning the equipment off and on, the user is encouraged to try to correct the interference by one of the following measures:

1. Reorient or relocate the receiving antenna.
2. Increase the separation between the equipment and receiver.
3. Connect the equipment into an outlet on a circuit different from that to which the receiver is connected.
4. Consult the dealer or an experienced radio/TV technician for help.

The Bluetooth word mark and logos are registered trademarks owned by Bluetooth SIG, Inc. and any use of such marks by the Boltz Group LLC., Inc. is under license. Other trademarks and trade names are those of their respective owners.

# ASSEMBLY INSTRUCTIONS:

**⚠ READ ALL SAFETY WARNINGS & ASSEMBLY INSTRUCTIONS CAREFULLY BEFORE ASSEMBLING OR OPERATING YOUR GRILL.**

**WE RECOMMEND TWO PEOPLE WORK TOGETHER WHEN ASSEMBLING THIS UNIT.**

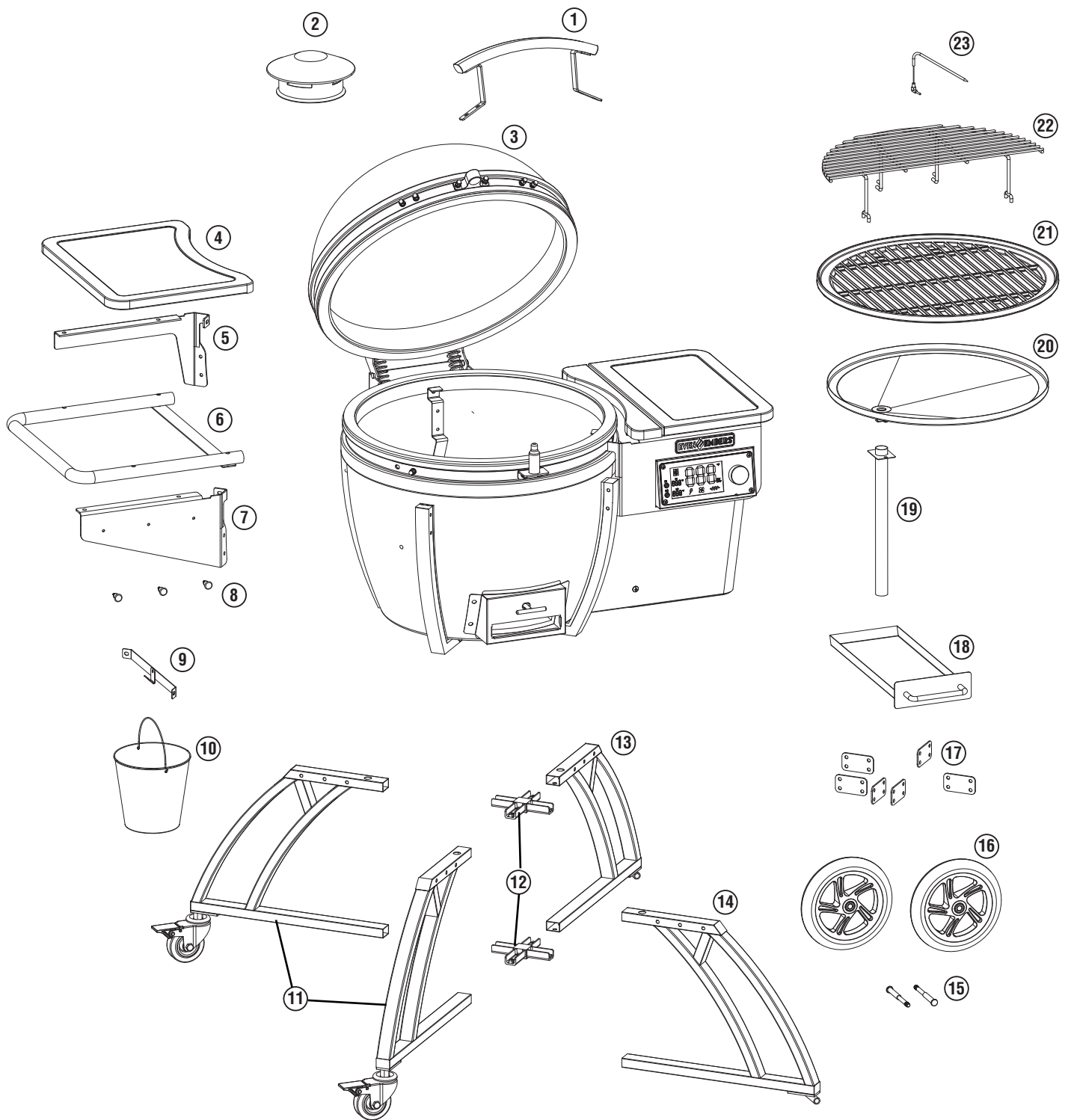
The following tools are required to assemble this Even Embers Pellet Fueled Ceramic Egg:

- **Phillips Screwdriver**
- **Pliers or Wrench**

## **PARTS LIST:**

①	1	Hood Handle	⑬	1	Right Rear Leg
②	1	Smokestack	⑭	1	Right Front Leg
③	1	Ceramic Egg Grill Body	⑮	2	Wheel Axle Bolts
④	1	Left Side Table	⑯	2	Wheels
⑤	1	Left Rear Side Table Bracket	⑰	6	Plates
⑥	1	Left Side Table Frame	⑱	1	Ash Tray
⑦	1	Left Front Side Table Bracket	⑲	1	Grease Tube
⑧	3	Accessory Hooks	⑳	1	Grease Tray
⑨	1	Grease Bucket Bracket	㉑	1	Cooking Grate
⑩	1	Grease Bucket	㉒	1	Warming Rack
⑪	2	Left Side Legs	㉓	1	Meat Probe
⑫	1	Leg Connectors			

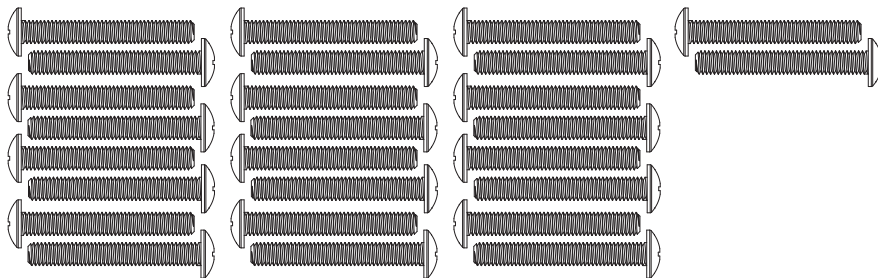




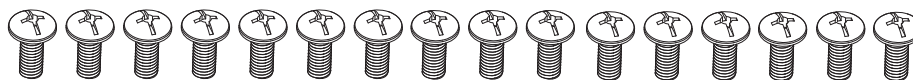
# Part Bag Contents

- 26 Pcs M6x45 Bolts
- 16 Pcs M6x12 Bolts
- 1 Pcs M4x30 Bolt
- 2 Pcs M4x10 Bolts
- 2 Pcs M8 Nuts
- 22 Pcs M6 Nuts
- 4 Pcs M4 Nuts
- 1 Pcs M4 Spacer

M6x45 Bolts - 26 Pcs



M6x12 Bolts - 16 Pcs



M4x30 Bolts - 1 Pc



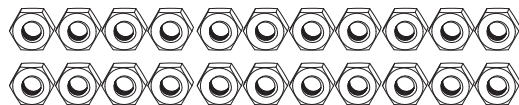
M4x10 Bolts - 2 Pcs



M8 Nuts - 2 Pcs



M6 Nuts - 22 Pcs



M4 Nuts - 4 Pcs

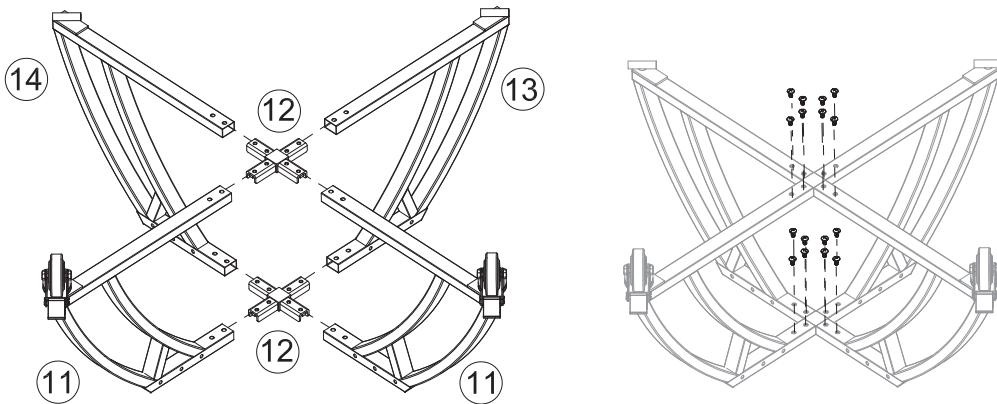


M4 Spacer - 1 Pc



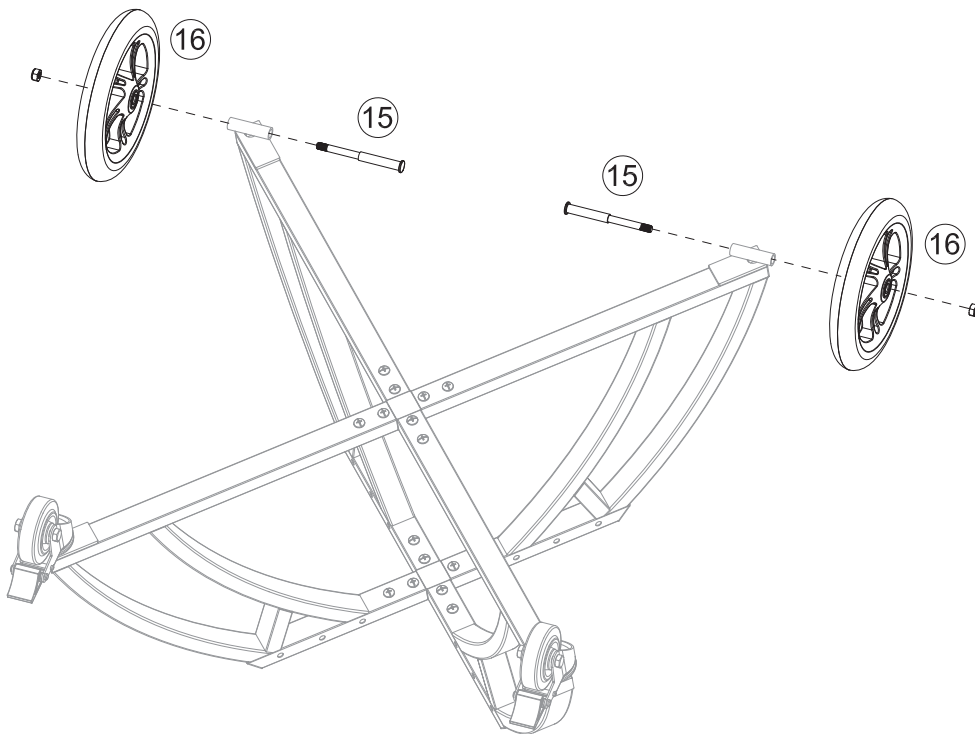
## Step 1

- Attach legs using sixteen **M6x12 BOLTS**



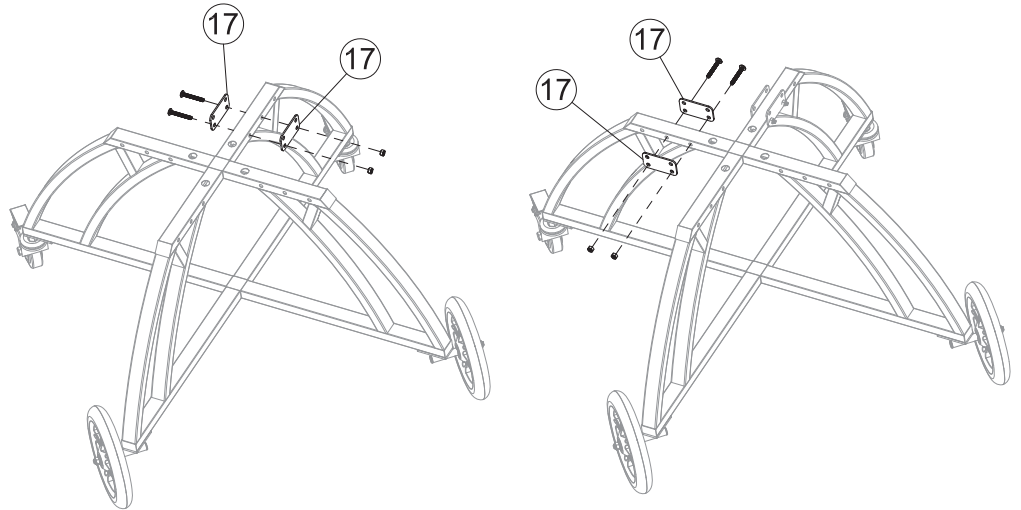
## Step 2

- Attach **WHEELS (16)** using **AXLE BOLTS (15)** and two **M8 NUTS**



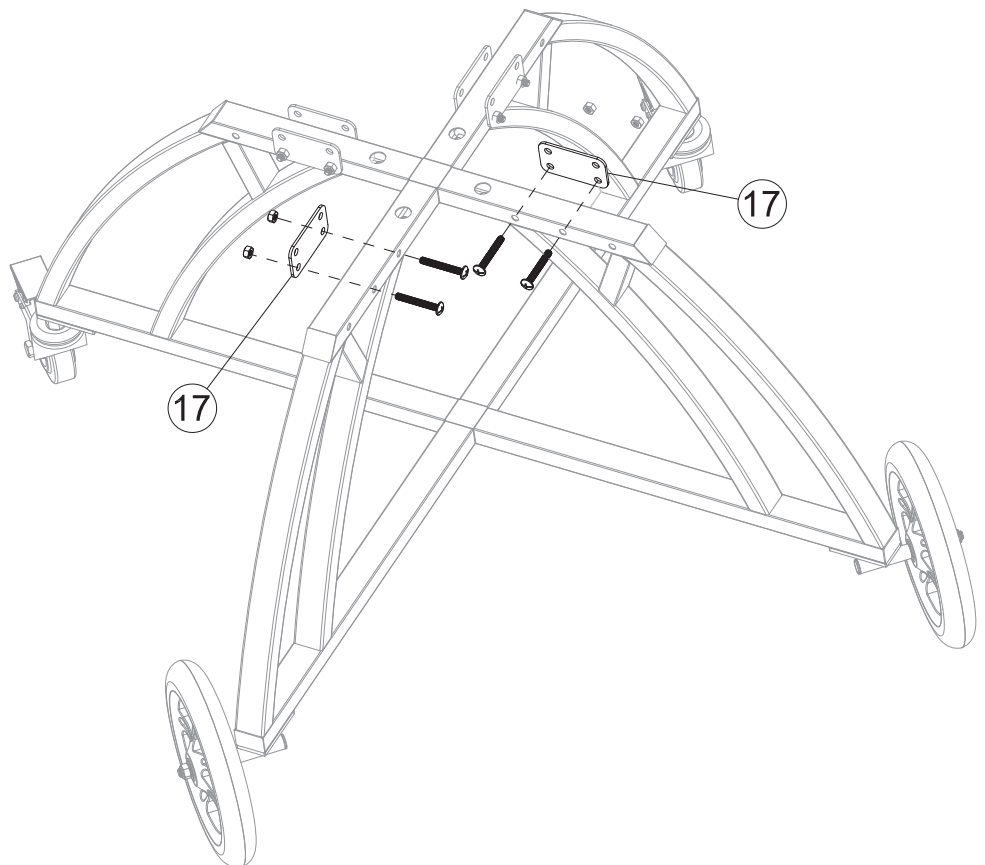
## Step 3

- Attach four **PLATES** ⑰ to **LEFT SIDE LEGS** ⑪ using four **M6x45 BOLTS** and **M6 NUTS**



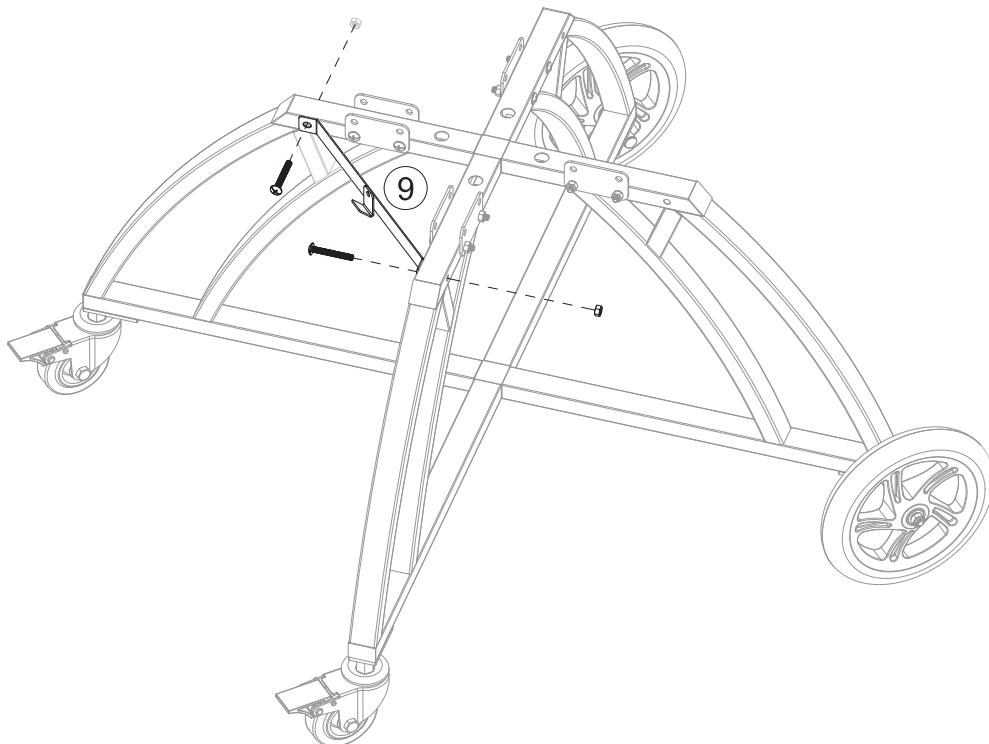
## Step 4

- Attach two **PLATES** ⑰ to **RIGHT SIDE LEGS** ⑬ using four **M6x45 BOLTS** and **M6 NUTS**



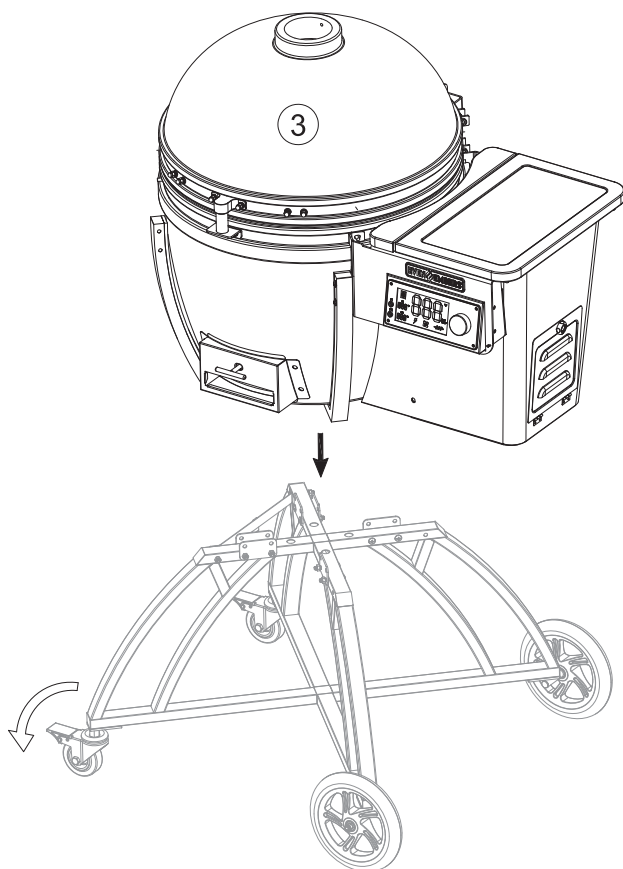
## Step 5

- Attach **GREASE BUCKET BRACKET ⑨** using two **M6x45 BOLTS** and **M6 NUTS**



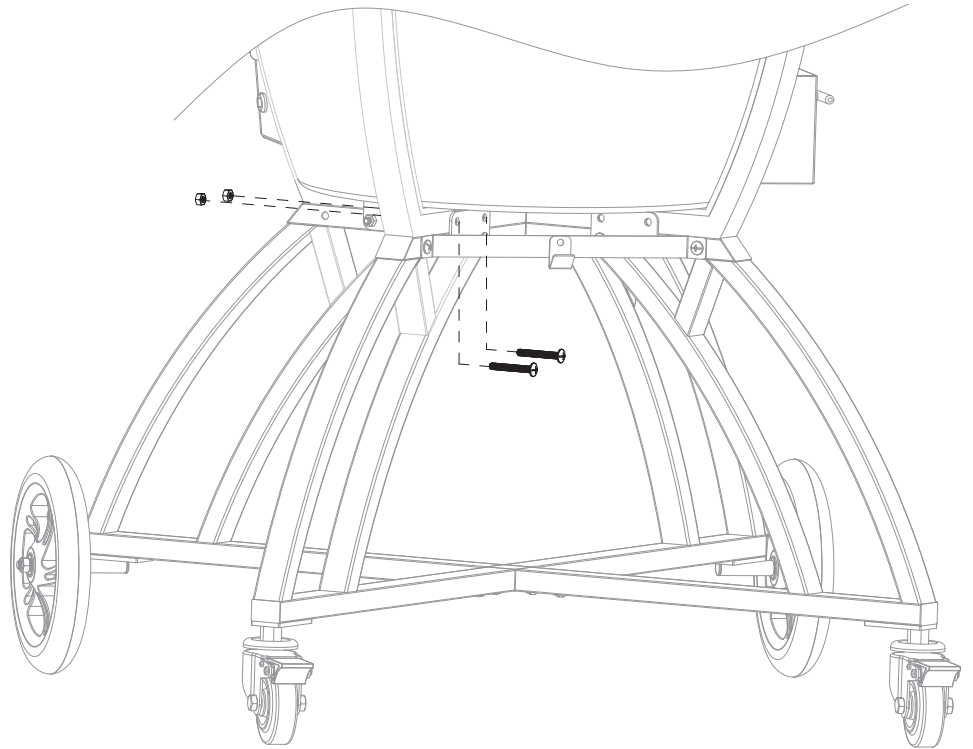
## Step 6

- Lock casters and set **CERAMIC EGG GRILL BODY ③** on **LEG ASSEMBLY**



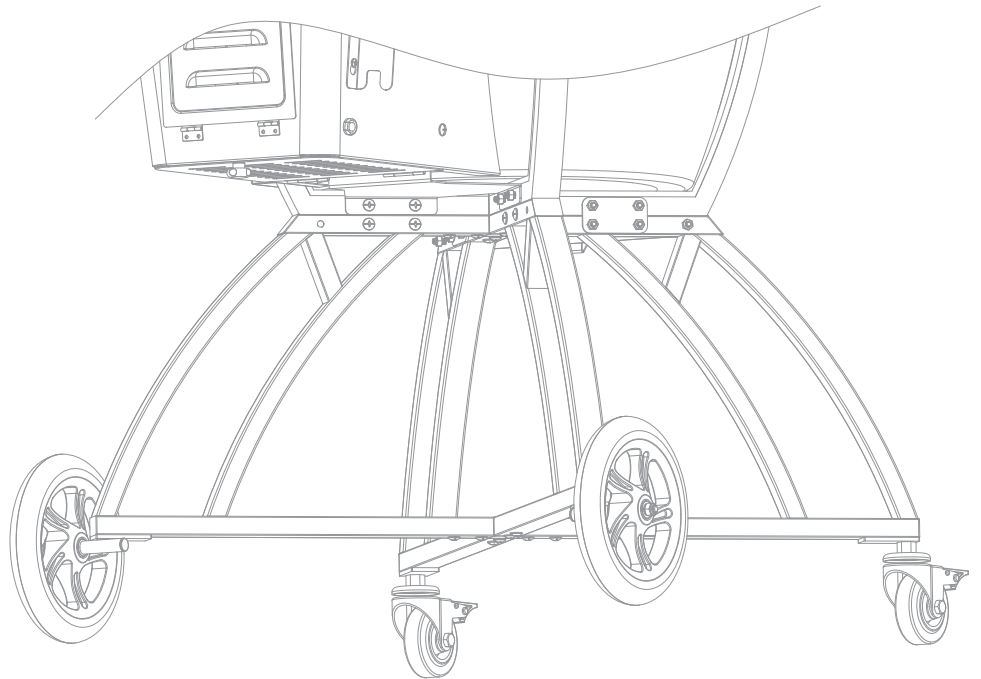
## Step 7

- Secure **CERAMIC EGG GRILL BODY ③** to **LEG ASSEMBLY** using two **M6x45 BOLTS** and **M6 NUTS**

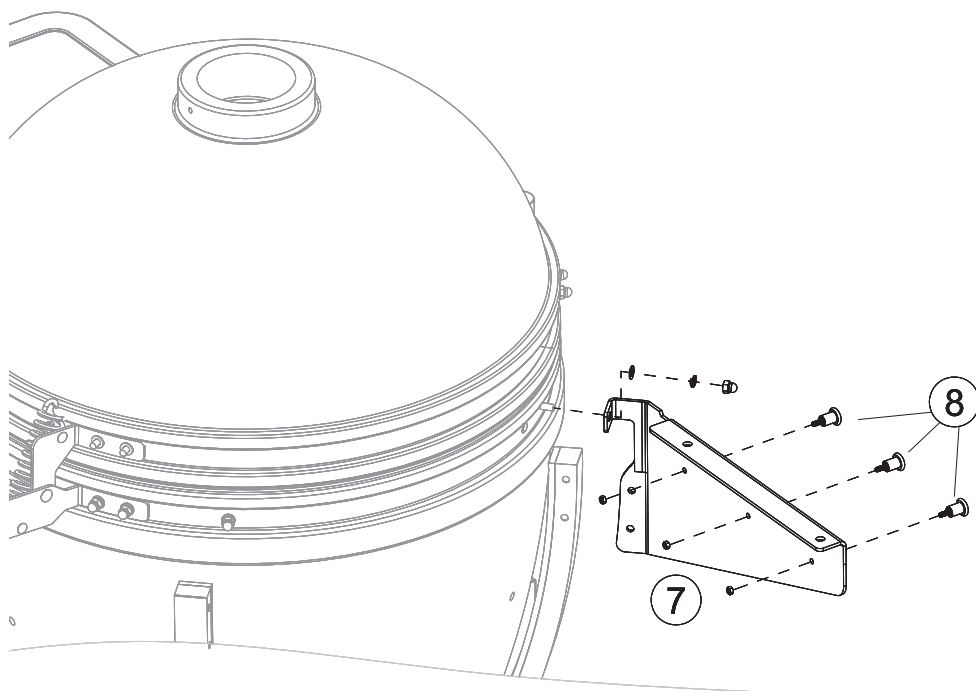


## Step 8

- Repeat Step 7 procedure three times using six **M6x45 BOLTS** and **M6 NUTS**

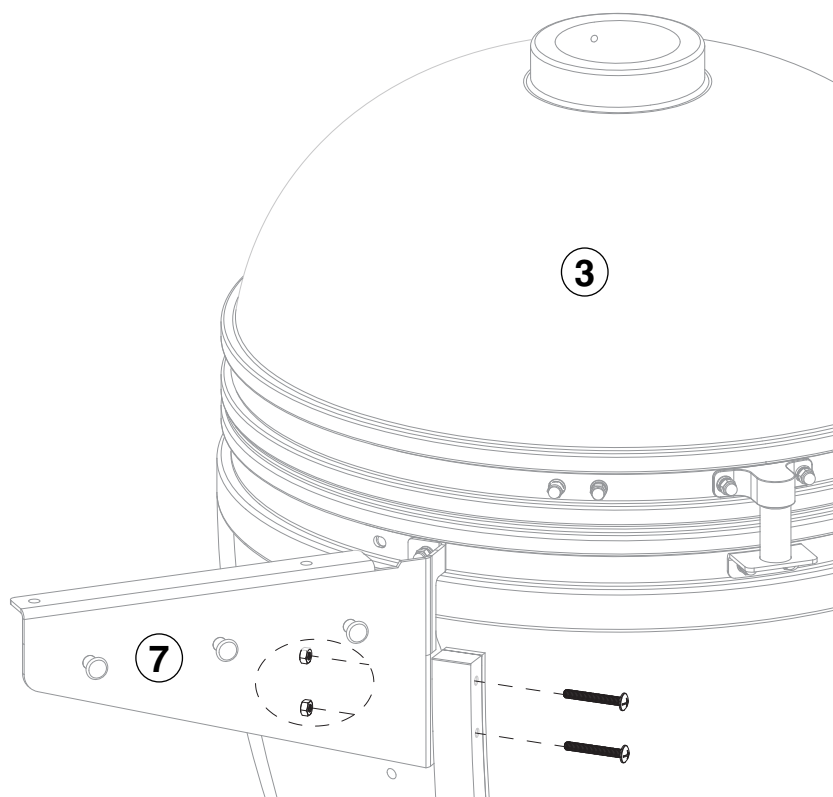


## Step 9



- Attach three **ACCESSORY HOOKS (8)** to **LEFT FRONT SIDE TABLE BRACKET (7)** using three **M4 NUTS**
- Attach **LEFT FRONT SIDE TABLE BRACKET (7)** to **CERAMIC EGG GRILL BODY (3)** using pre-attached nut and washer

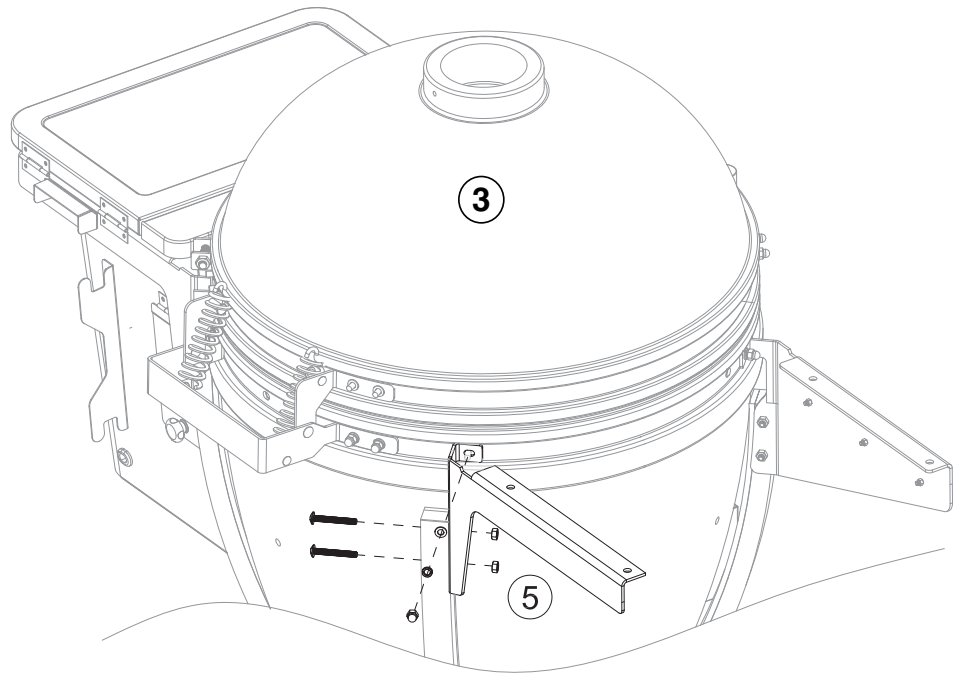
## Step 10



- Secure **LEFT FRONT SIDE TABLE BRACKET (7)** to **CERAMIC EGG GRILL BODY (3)** using two **M6x45 BOLTS** and **M6 NUTS**

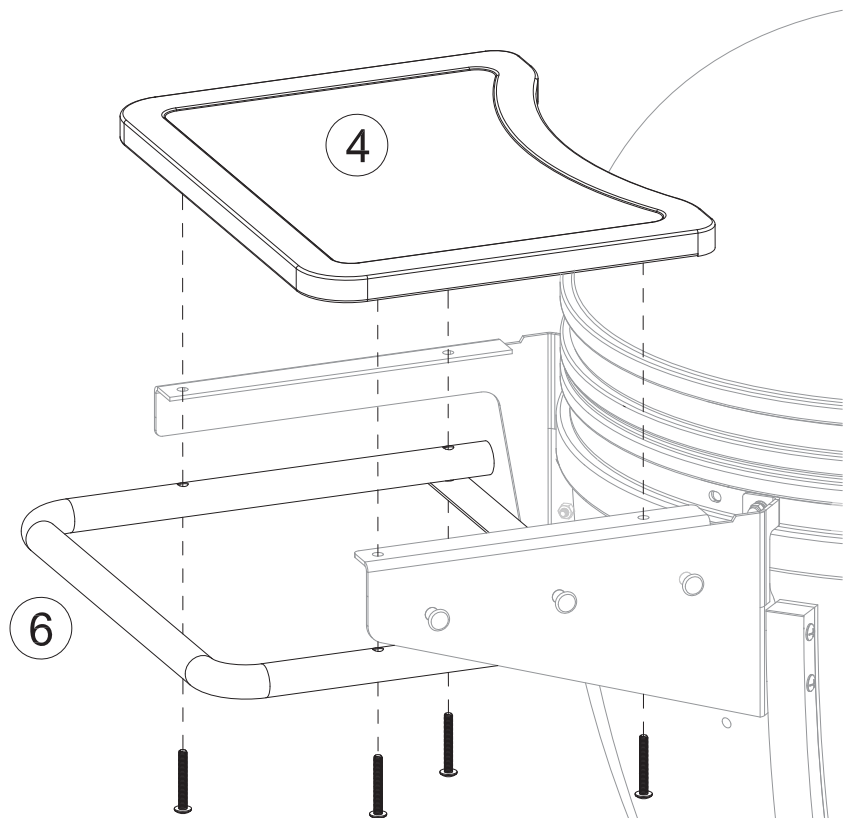
## Step 11

- Secure **LEFT SIDE REAR TABLE BRACKET** ⑤ to **CERAMIC EGG GRILL BODY** ③ using two **M6x45 BOLTS** and **M6 NUTS**



## Step 12

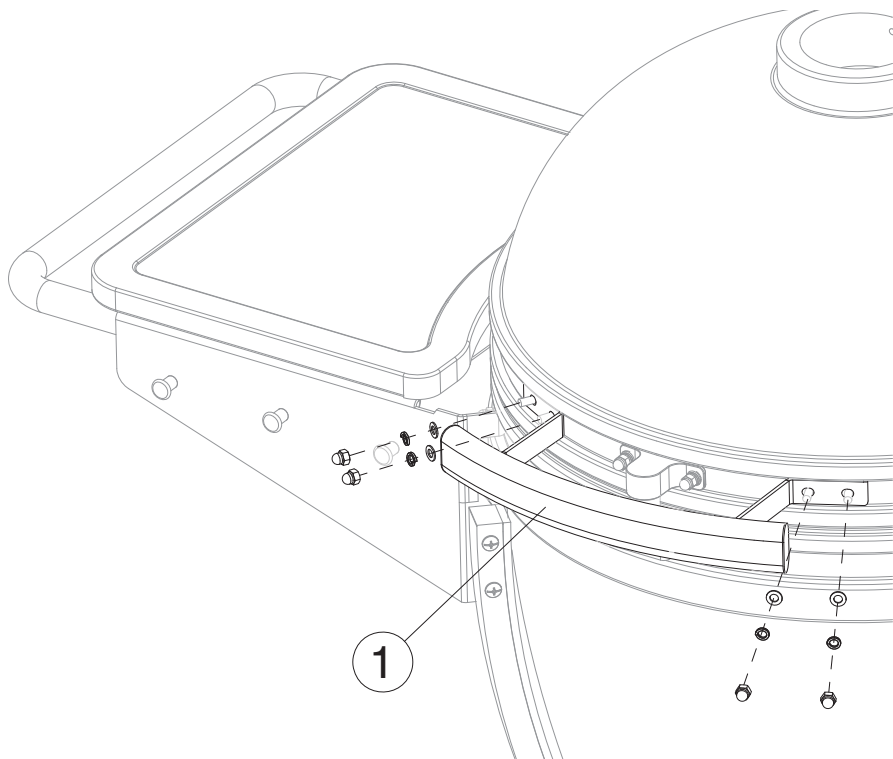
- Attach **LEFT SIDE TABLE** ④ to **LEFT SIDE TABLE FRAME** ⑥ using four **M6x45 BOLTS**





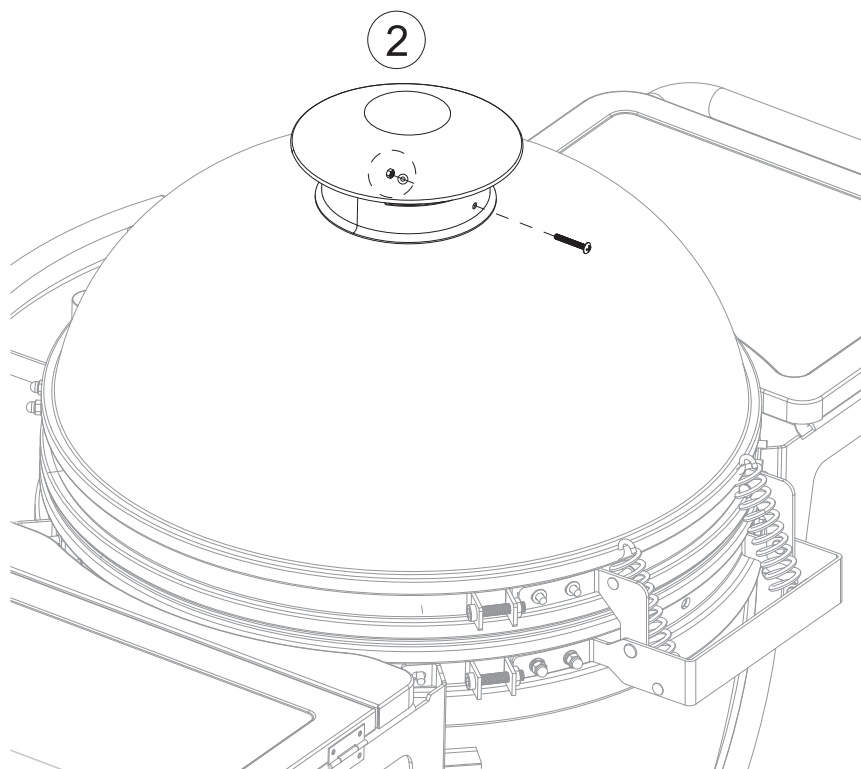
## Step 13

- Attach **HOOD HANDLE** ① to **CERAMIC EGG GRILL BODY** ③ using pre-attached bolts, washers and lock washers



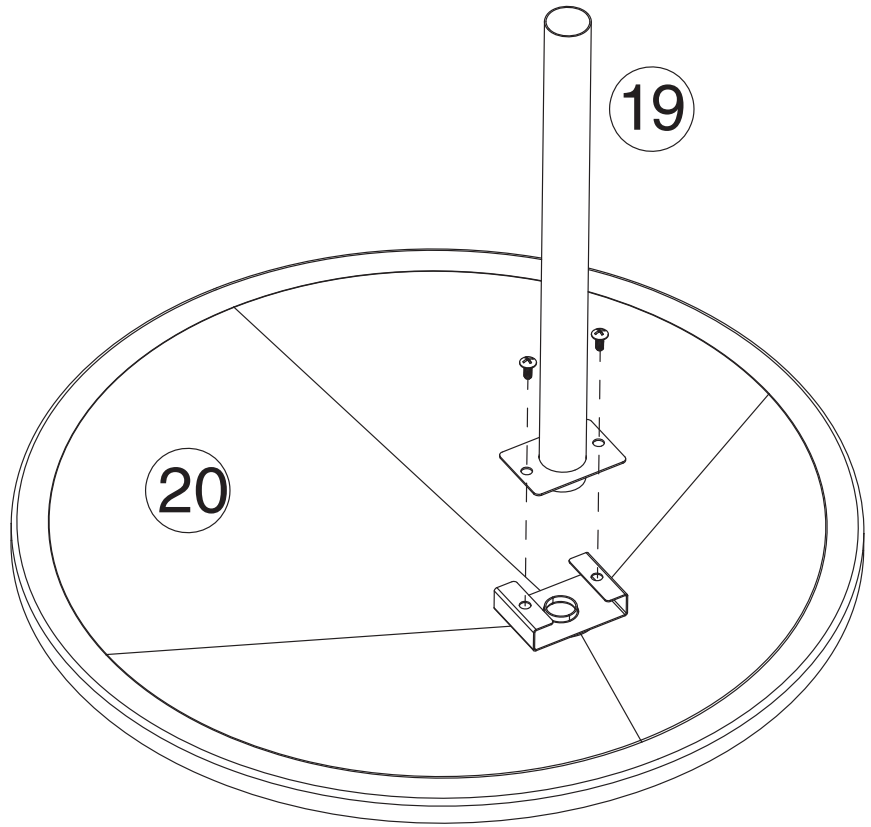
## Step 14

- Attach **SMOKESTACK** ② to **CERAMIC EGG GRILL BODY** ③ using **M4x30 BOLT**, **M4 NUT** and **M4 SPACER**



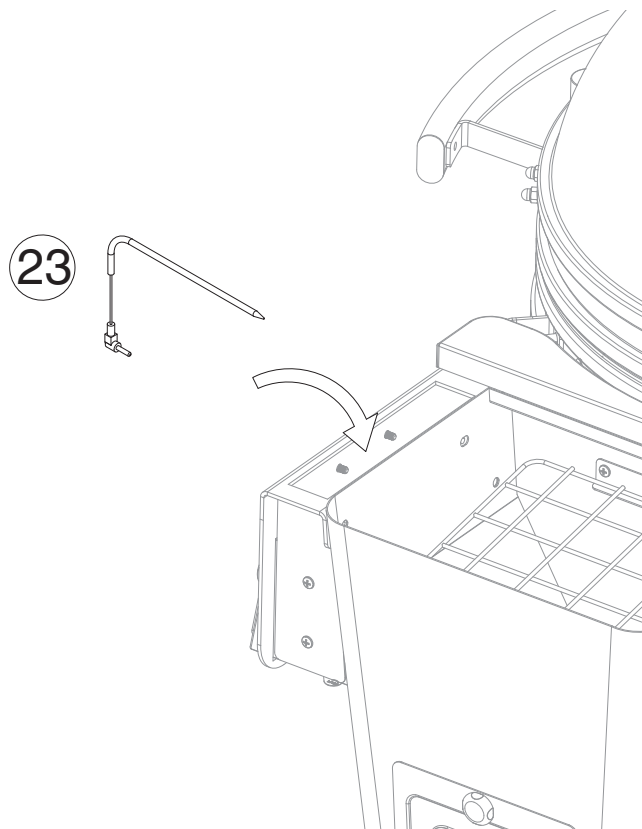
## Step 15

- Attach **GREASE TUBE** ①⑨ to **GREASE TRAY** ②⑩ using two **M4x10 BOLTS**

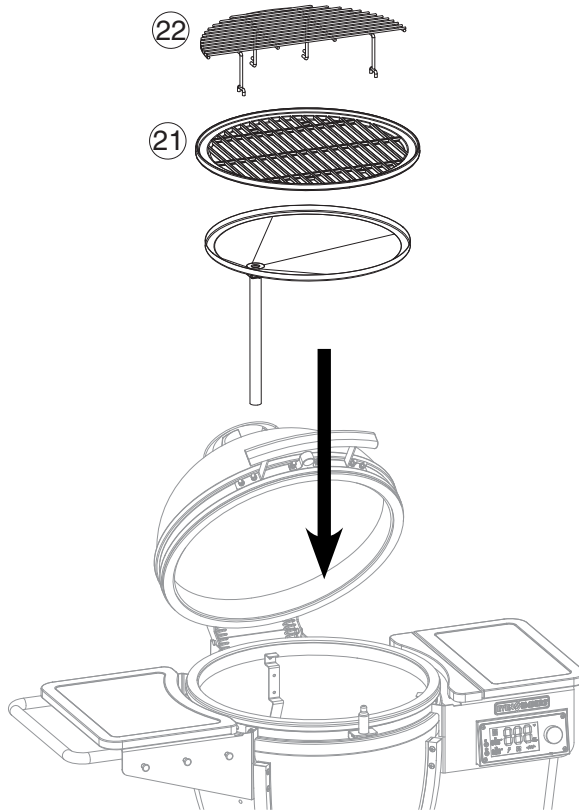


## Step 16

- Store **MEAT PROBE** ②③ in tray above control panel

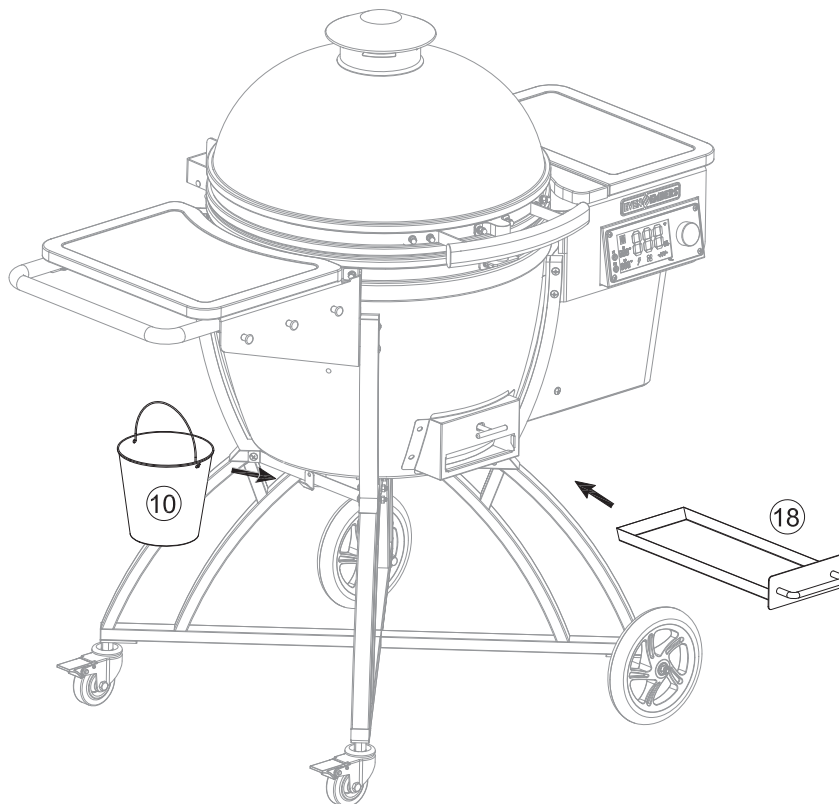


## Step 17



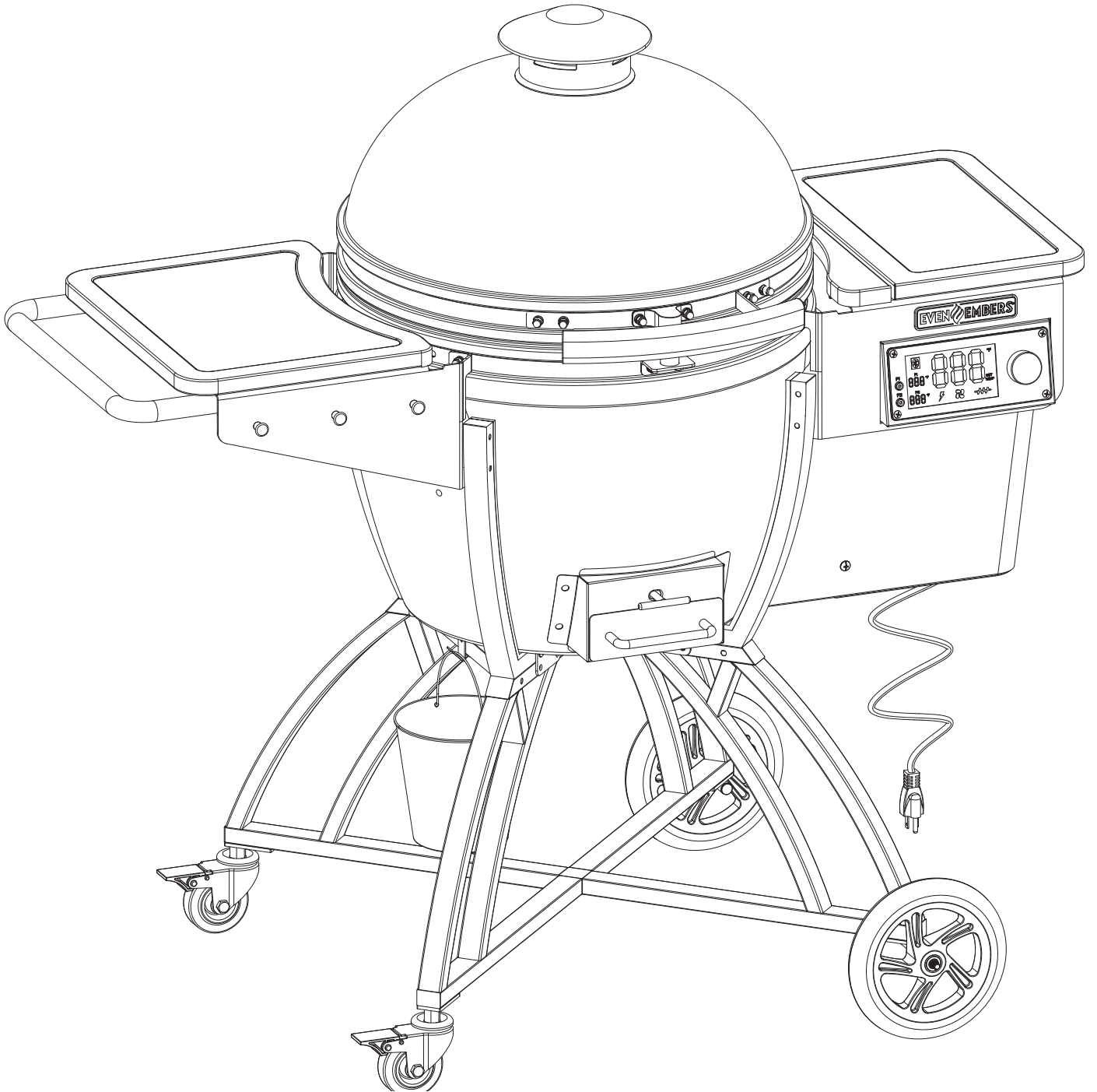
- Install **GREASE TRAY ASSEMBLY, COOKING GRATE 21** and **WARMING RACK 22** into grill

## Step 18



- Hang **GREASE BUCKET 10** on grease bucket hook and install **ASH TRAY 18** into front of grill

# Model EGG1000AS



# WARRANTY

The Boltz Group warrants to the original purchaser that the Even Embers Pellet Fueled Ceramic Egg is free from defects due to workmanship or materials for: One-year: frame, housing, cart, cooking grate, electronic heating elements, temperature controller and other related parts.

The Boltz Group's obligations under this warranty are limited to the following guidelines:

- This warranty does not cover grills that have been altered/modified or damaged due to: normal wear, rust, abuse, improper maintenance and/or improper use.
- This warranty does not cover surface scratches, rust or heat damage to the finish, which is considered normal wear.
- The Boltz Group may elect to repair or replace damaged units covered by the terms of this warranty.
- This warranty extends to the original purchaser only and is not transferable or assignable to subsequent purchasers.

The Boltz Group requires reasonable proof of purchase. Therefore, we strongly recommend that you retain your sales receipt or invoice. To obtain replacement parts for your Even Embers Pellet Fueled Ceramic Egg under the terms of this warranty, please call Customer Service Department at 1-855-735-9922. A receipt will be required. The Boltz Group will not be responsible for any grills forwarded to us without prior authorization.

EXCEPT AS ABOVE STATED, THE BOLTZ GROUP MAKES NO OTHER EXPRESS WARRANTY.

THE IMPLIED WARRANTIES OF MERCHANTABILITY AND FITNESS FOR A PARTICULAR PURPOSE ARE LIMITED IN DURATION TO THOSE LISTED ABOVE FROM THE DATE OF PURCHASE. SOME STATES DO NOT ALLOW LIMITATIONS ON HOW LONG AN IMPLIED WARRANTY LASTS, SO THE ABOVE LIMITATION MAY NOT APPLY TO YOU.

ANY LIABILITY FOR INDIRECT, INCIDENTAL OR CONSEQUENTIAL DAMAGES ARISING FROM THE FAILURE OF THE EVEN EMBERS PELLET FUELED CERAMIC EGG TO COMPLY WITH THIS WARRANTY OR ANY IMPLIED WARRANTY IS EXCLUDED. CUSTOMER ACKNOWLEDGES THAT THE PURCHASE PRICE CHARGED IS BASED UPON THE LIMITATIONS CONTAINED IN THE WARRANTY SET OUT ABOVE. SOME STATES DO NOT ALLOW THE EXCLUSION OR LIMITATION OF INCIDENTAL OR CONSEQUENTIAL DAMAGES, SO THE ABOVE LIMITATION OR EXCLUSION MAY NOT APPLY TO YOU. THIS WARRANTY GIVES YOU SPECIFIC LEGAL RIGHTS, AND YOU MAY ALSO HAVE OTHER RIGHTS WHICH VARY FROM STATE TO STATE.