



# COOKOUT™ 700 PELLETT GRILL



## ASSEMBLY MANUAL

CPG-700PG/ P40103

**1-YEAR LIMITED WARRANTY**

**READ AND SAVE MANUAL FOR FUTURE REFERENCE.**

**READ ALL INSTRUCTIONS BEFORE INSTALLING AND USING THE APPLIANCE.**

Assemble your grill immediately.

Missing or damaged parts should be claimed or reported within 30 days of  
purchase date.

**FOR PRODUCT INQUIRIES, PARTS, WARRANTY AND TROUBLESHOOTING  
SUPPORT,**

**PLEASE CALL 1-800-249-2506.**



CERTIFIED TO UL 2728A-2019 &  
ULC/ORD-C2728-19 Pellet Fuel  
Burning, Cooking Appliance and  
Outline of Investigation for Pellet  
Fuel Burning, Cooking Appliance.

Master No. 211648  
Manual Revision #: 2023.12.13 MK



# IMPORTANT SAFETY WARNINGS



## THIS MANUAL MUST REMAIN WITH THIS PRODUCT AT ALL TIMES



### **WARNING**

FAILURE TO FOLLOW ALL OF THE MANUFACTURE'S INSTRUCTIONS COULD RESULT IN HAZARDOUS FIRES, EXPLOSIONS, PROPERTY DAMAGE, OR SERIOUS PERSONAL INJURY OR EVEN DEATH.

### **CAUTION**

- DO NOT TRY TO START THIS PELLET GRILL WITHOUT READING AND UNDERSTANDING THE SAFETY RISKS AND INSTRUCTIONS FOR USE, OUTLINED IN THIS SAFE USE AND CARE MANUAL.
- IN DIRECT SUN, AND IN OPERATION, YOUR PELLET GRILL'S PAINTED STEEL PARTS CAN BECOME VERY HOT, TOUCHING ANY OF THE SURFACES WITHOUT PROTECTIVE GLOVES MAY CAUSE BURNS.
- SOME PARTS MAY CONTAIN SHARP EDGES. WEAR PROTECTIVE GLOVES DURING ASSEMBLY AND USAGE OF THIS APPLIANCE.

### **CAUTION**

- NEVER USE GASOLINE OR LIGHTER FLUID TO MANUALLY LIGHT YOUR GRILL.
- FAILURE TO FOLLOW THESE SAFEGUARDS MAY RESULT IN SERIOUS INJURY OR EVEN DEATH.
- THIS APPLIANCE MUST NOT BE OPERATED UNATTENDED.
- KEEP CHILDREN AND PETS AWAY FROM GRILL.
- FOR RESIDENTIAL USE ONLY. DO NOT USE FOR COMMERCIAL COOKING.

### **ELECTRICAL SAFETY & WARNINGS**

- HAZARDOUS VOLTAGE CAN SHOCK, BURN OR CAUSE DEATH. DO NOT IMMERSE CORD IN WATER OR OTHER LIQUIDS.
- ONLY PLUG THIS APPLIANCE INTO A GFCI PROTECTED CIRCUIT. USE ONLY EXTENSION CORDS APPROVED FOR OUTDOOR USE MARKET WITH W-A AND RATED FOR THE POWER OF THIS APPLIANCE.
- KEEP THE ELECTRICAL SUPPLY CORD AWAY FROM AND HEATED SURFACE.
- UNPLUG FROM THE OUTLET WHEN NOT IN USE AND BEFORE CLEANING OR SERVICING.

### **FIRE SAFETY**

- DO NOT MOVE APPLIANCE.
- IF YOU EXPERIENCE A FIRE DO NOT THROW WATER. DO NOT TRY TO SMOTHER THE FIRE.
- UNPLUG THE ELECTRICAL CORD OR EXTENSION CORD, AND CALL THE FIRE DEPARTMENT.

### **WOOD PELLET WARNINGS**

- FOR USE WITH NATURAL HARDWOOD PELLETS FOR GRILLING. NEVER USE HEATING PELLETS OR CHARCOAL PELLETS WITH THIS GRILL.
- ALWAYS STORE WOOD PELLETS IN A DRY LOCATION, AWAY FROM HEAT-PRODUCING APPLIANCES AND OTHER FUEL CONTAINERS, IN A SEALED CONTAINER.
- TO DISPOSE OF ASHES ALWAYS WAIT UNTIL COOLED BEFORE PLACING IN A NONCOMBUSTIBLE, METAL CONTAINER WITH LID. CHECK WITH LOCAL AUTHORITIES FOR PROPER DISPOSAL.



## THIS GRILL IS FOR OUTDOOR USE ONLY



### **CAUTION**

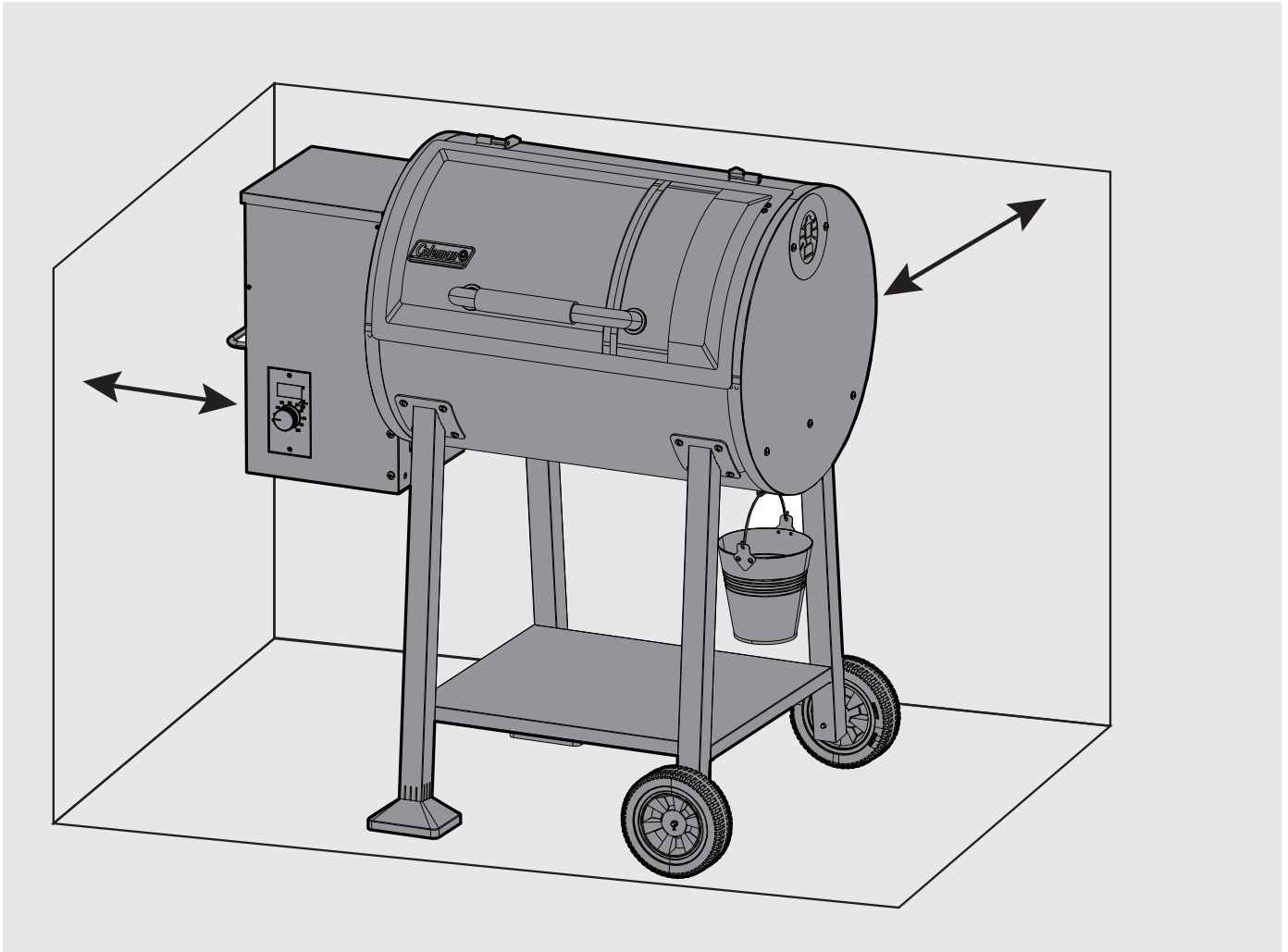
Some parts may contain sharp edges, especially as noted in the manual. Wear protective gloves during assembly and usage of this appliance.  
For residential use ONLY. Do not use for commercial cooking.

### **CAUTION**

Do not attempt to repair or alter the hose and regulator or valve assembly for any assumed defect or for any type of retro fit or conversion. Any modifications to this assembly will void your warranty and create the risk of a gas leak and fire. Use only authorized replacement parts supplied by the manufacturer, for your model.



A MAJOR CAUSE OF FIRES IS FAILURE TO MAINTAIN REQUIRED CLEARANCES (AIR SPACE) TO COMBUSTIBLE MATERIALS. IT IS OF UTMOST IMPORTANCE THAT THIS PRODUCT BE INSTALLED ONLY IN ACCORDANCE WITH THESE INSTRUCTIONS.



**▲ WARNING**

When operating this grill, maintain a minimum distance of 18" (45.72 cm) on all sides, from a dwelling, walls, aluminum siding, windows, fencing and any other combustible material.

**▲ WARNING**

When operating this grill under overhead combustibles a minimum of 40" (101.6 cm) is required.

# HARDWARE PACK





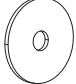
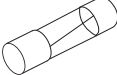
## Tools Required

- Phillips screwdriver
- Slotted screwdriver
- Pliers

No.	Description	Part Number	Qty.
1	1/4"-20UNC x13 Screw	20120-13013-036	20
2	Hitch Pin	P401-0105-9000	2
3	Axle Spacer	G305-0024-9088	2
4	1/4"x18 Screw Assembly	G432-S500-9091	2
5	Fiber Washer	G205-0026-9000	2
6	*Digital Controller 5-AMP Fuse	P401-1411-9000	1

**\* This unit is shipped with an extra 5-AMP fuse, that is located either on the cover of your Safety & Care Manual, or attached directly to the back of the digital controller.**

**⚠ Caution:**  
**Sheet metal can cause injury. Wear gloves when installing the grill.**

<p><b>1</b></p>  <p>1/4"-20UNC x 13 Screw X 20</p>	<p><b>2</b></p>  <p>Hitch Pin X 2</p>	<p><b>3</b></p>  <p>Axle Spacer X 2</p>
<p><b>4</b></p>  <p>1/4"x18 Screw Assembly X 2</p>	<p><b>5</b></p>  <p>Fiber Washer X 2</p>	<p><b>6</b></p>  <p>*Digital Controller 5 AMP Fuse X 1</p>

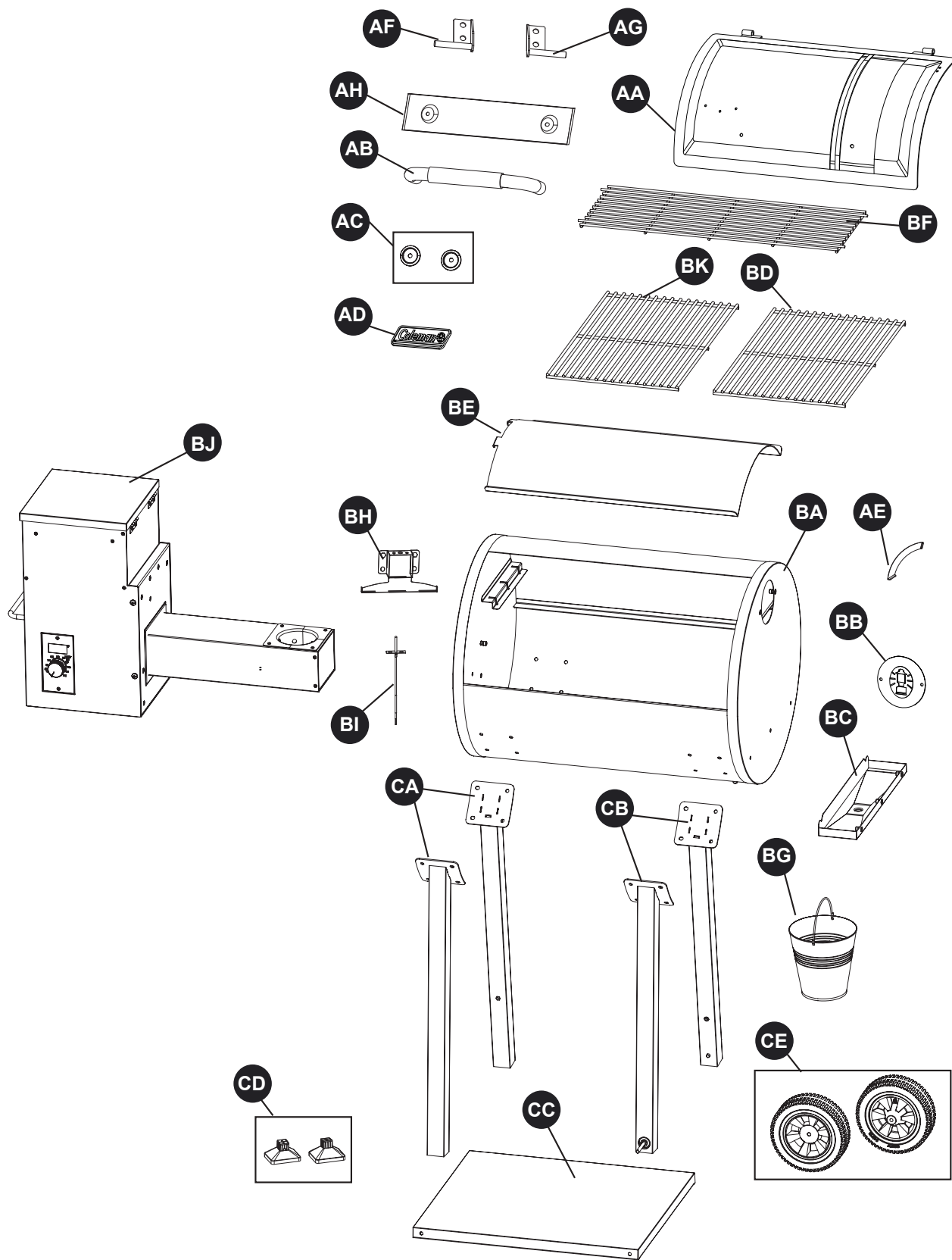
## BEFORE ASSEMBLING THIS GRILL, READ THE INSTRUCTIONS CAREFULLY.

Assemble the pellet grill on a flat, clean surface. This grill is heavy. Two people are recommended to complete assembly.

## PARTS LIST FOR CPG-700PG / P40103

KEY#	QTY.	DESCRIPTION	PART NO.
AA	1	Pellet Lid	P401-2801-01
AB	1	Pellet Lid Handle	P401-2200-01
AC	2	Lid Handle Bezel	P401-2802-01
AD	1	Logo Plate	G363-0004-01
AE	1	Pellet Lid Stopper	P401-0604-01
AF	1	Left Lid Hinge Bracket	P401-2000-01
AG	1	Right Lid Hinge Bracket	P401-2100-01
AH	1	Heat Shield, Lid handle	P401-0606-01
BA	1	Grill Body	P401-0500-01
BB	1	Coleman Emblem	P401-2401-01
BC	1	Grease Trough	P401-0401-01
BD	1	Main Cooking Grate, Right	P401-0405-02
BE	1	Baffle Plate	P401-2402-01
BF	1	Secondary Cooking Grate	P401-0404-01
BG	1	Grease Bucket	P401-0700-01
BH	1	Senser Shield	P401-0407-01
BI	1	Senser	P401-0406-01
BJ	1	Hopper Assembly	P401-2500-01
BK	1	Main Cooking Grate, Left	P401-0411-01
CA	2	Cart Leg, Left	P401-0200-01
CB	2	Cart Leg with Wheel Axle, Right	P401-0300-01
CC	1	Bottom Shelf	P401-0101-01
CD	2	Cart Leg End Cap	P401-0102-01
CE	2	Wheel	G437-0037-01
D1	1	Hardware Pack	P401-B003-01
D2	1	Assembly Manual	P401-M003-01
D3	1	Safe Use and Care Manual	P401-M003-02

# EXPLODED DIAGRAM FOR CPG-700PG / P40103

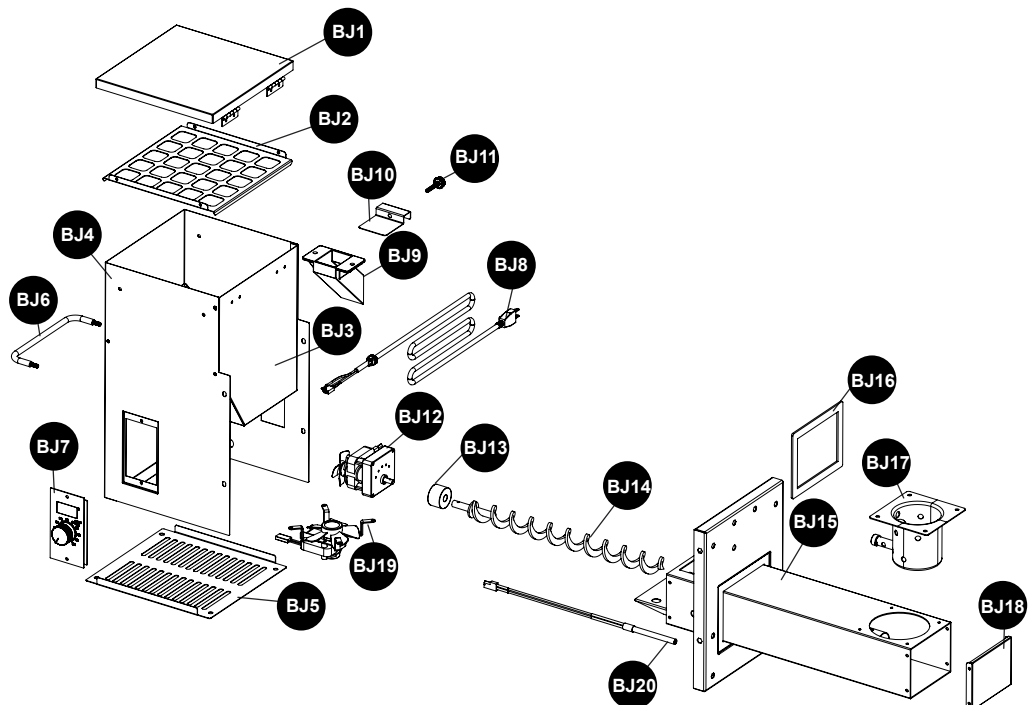


Extras		
Hardware Pack <b>E1</b>	Assembly Manual <b>E2</b>	Safe Use and Care Manual <b>E3</b>

## AFTER-SALES PARTS LIST FOR HOPPER ASSEMBLY / P401-2500-01

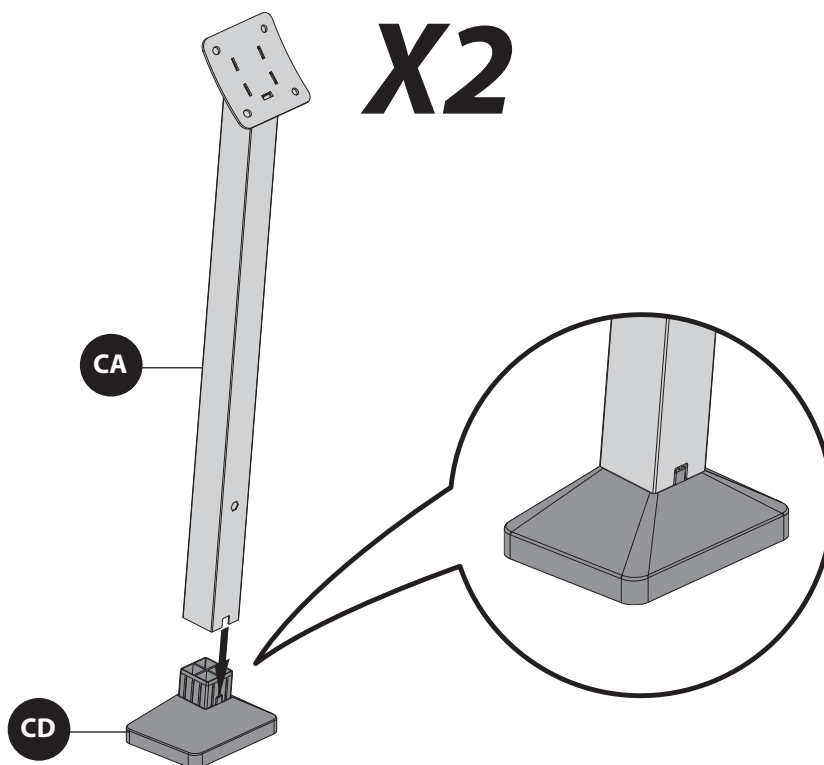
KEY#	QTY.	DESCRIPTION	PART NO.
BJ1	1	Hopper Cover	P401-1600-01
BJ2	1	Hopper Safety Screen	P401-1407-01
BJ3	1	Feed plate	P401-1402-01
BJ4	1	Hopper Housing	P401-2700-01
BJ5	1	Hopper Base Plate	P401-1408-01
BJ6	1	Lifting Handle	P401-1409-01
BJ7	1	Digital Controller	P401-2601-01
BJ8	1	Power Cord	P401-1401-01
BJ9	1	Release channel	P401-1405-01
BJ10	1	Channel Stopper	P401-1403-01
BJ11	1	Channel stopper bolt	P401-1404-01
BJ12	1	Auger Motor	P401-0904-01
BJ13	1	Auger Bushing	P401-0902-01
BJ14	1	Auger	P401-1200-01
BJ15	1	Auger box housing	P401-1000-01
BJ16	1	Insulated Gasket	P401-0906-01
BJ17	1	Burner Pot	P401-1300-01
BJ18	1	Auger box end cap	P401-0901-01
BJ19	1	Combustion fan	P401-0903-01
BJ20	1	Igniter	P401-0905-01

## HOPPER ASSEMBLY EXPLODED DIAGRAM / P401-2500-01





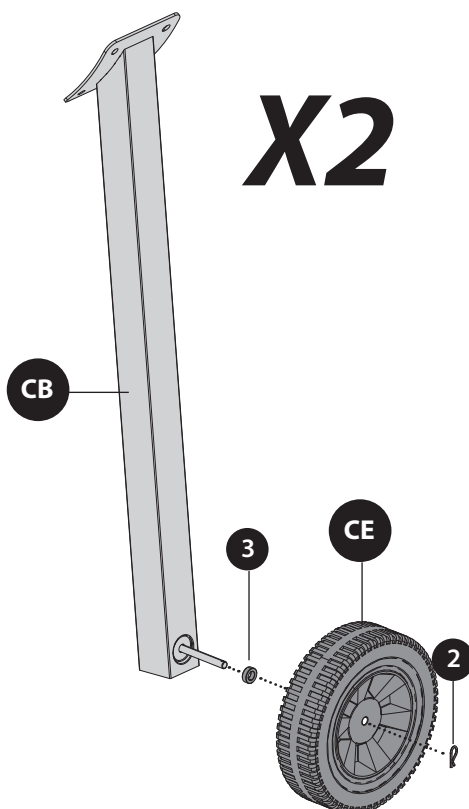
# ASSEMBLY INSTRUCTIONS

**1A**



**1B**

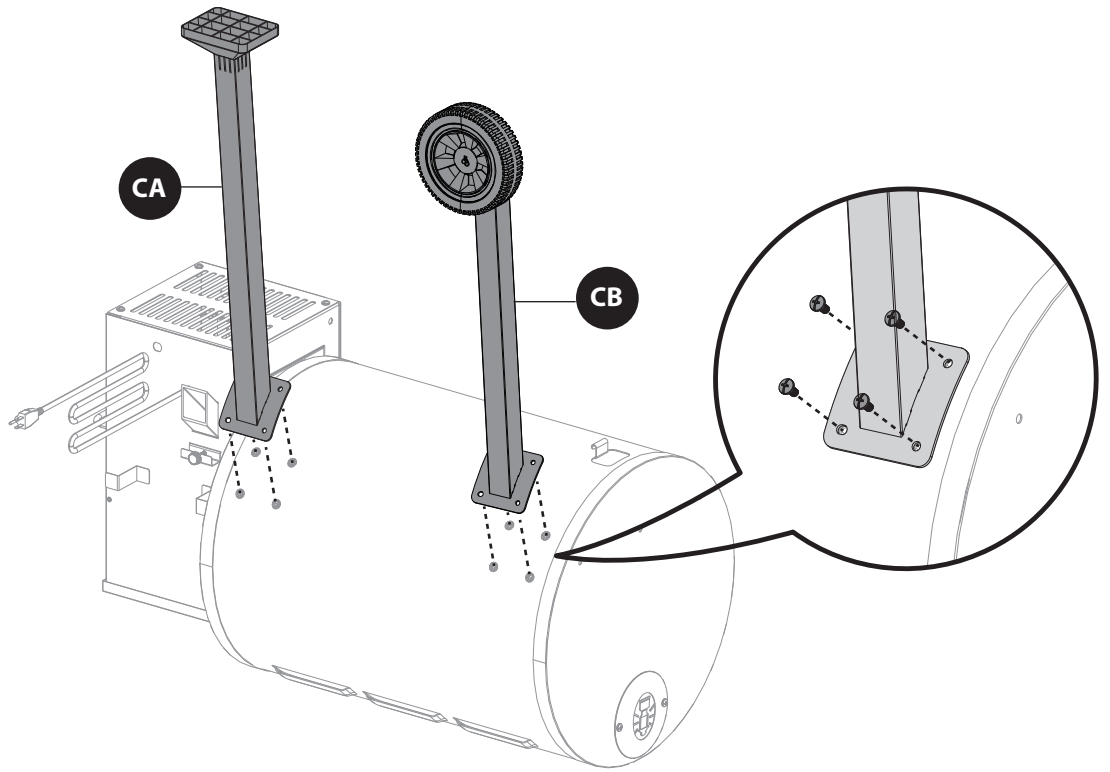
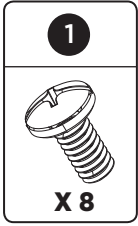
<b>2</b>	<b>3</b>
	
<b>X 2</b>	<b>X 2</b>



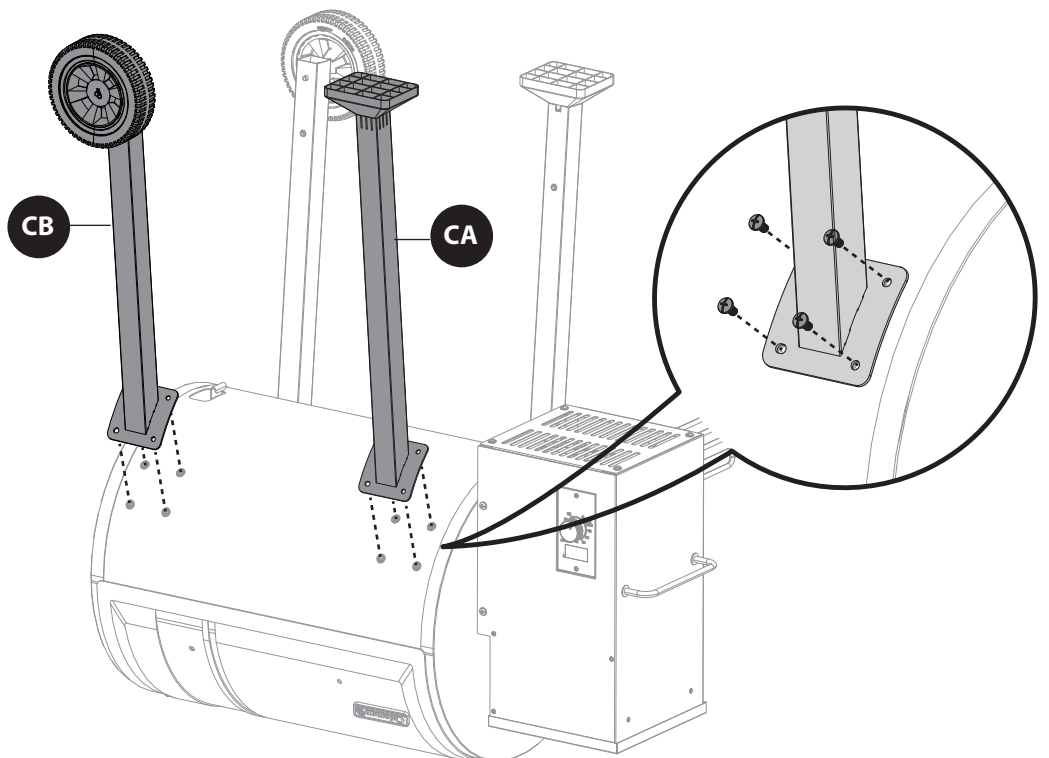
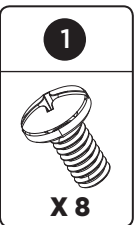


# ASSEMBLY INSTRUCTIONS

**2A**



**2B**



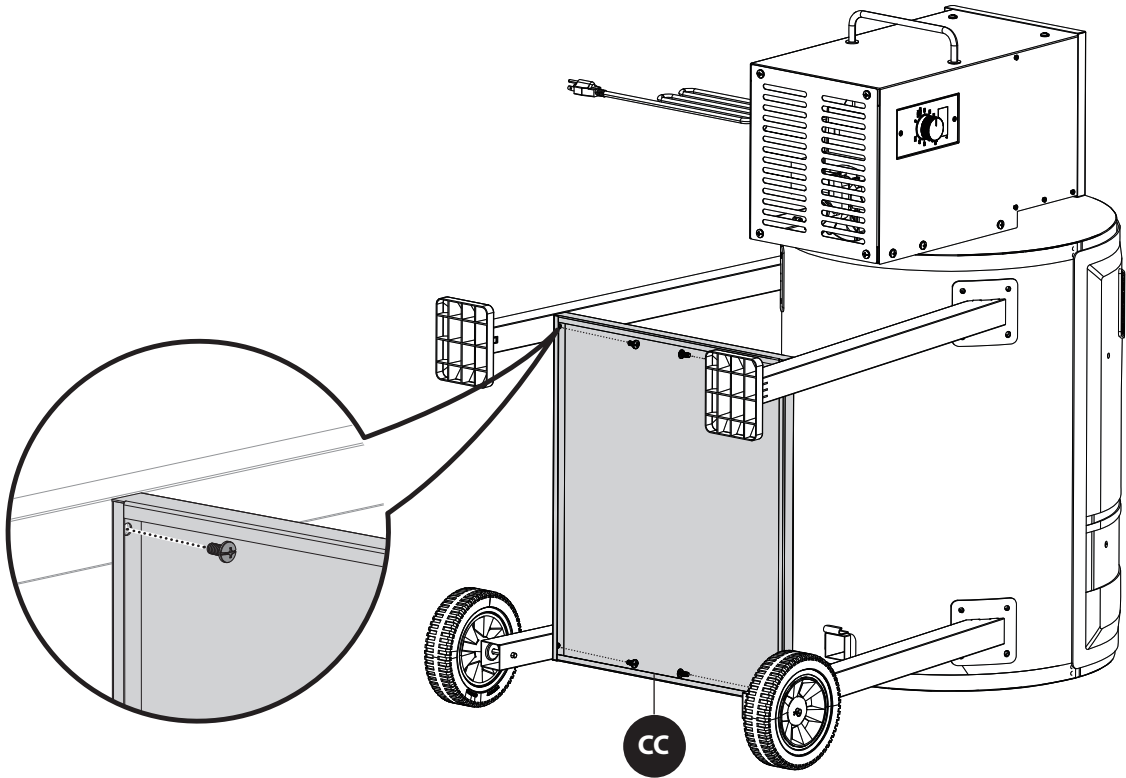
# ASSEMBLY INSTRUCTIONS

3

1



X 4



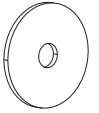
4

4

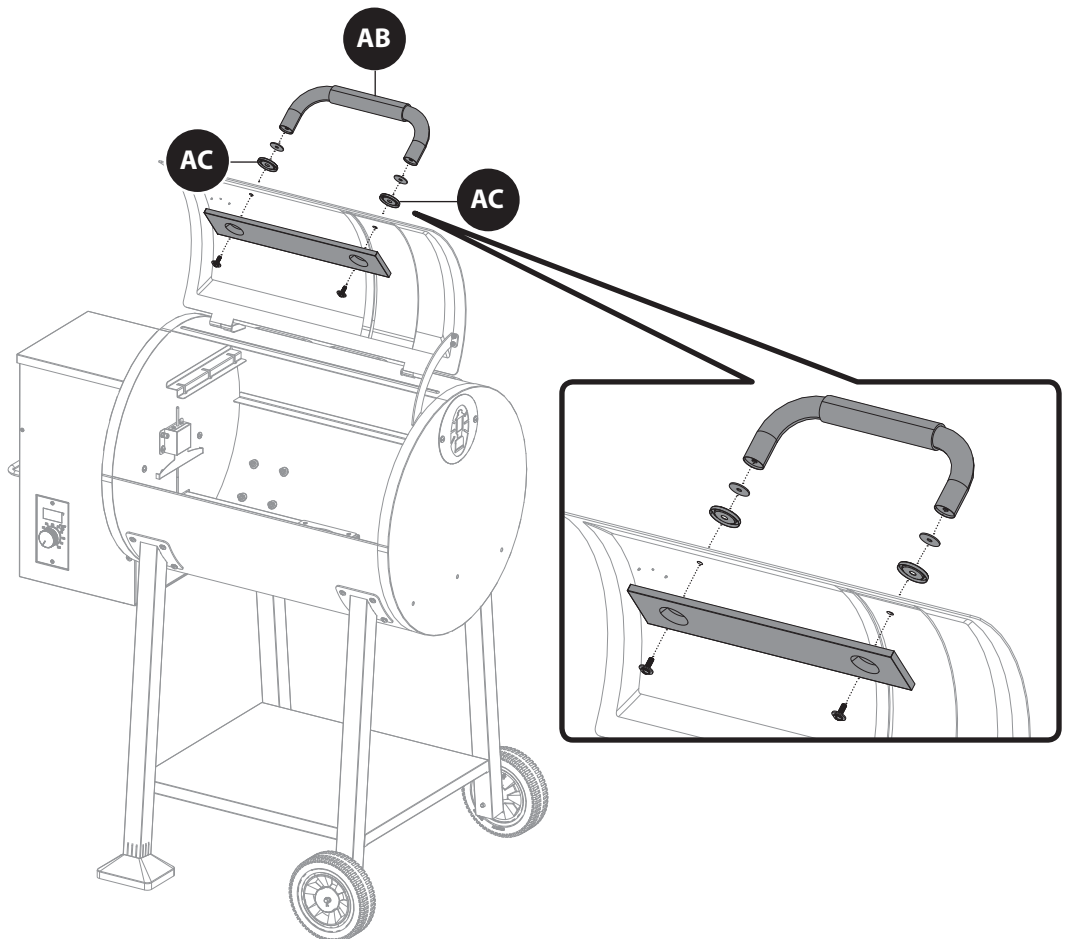


X 2

5

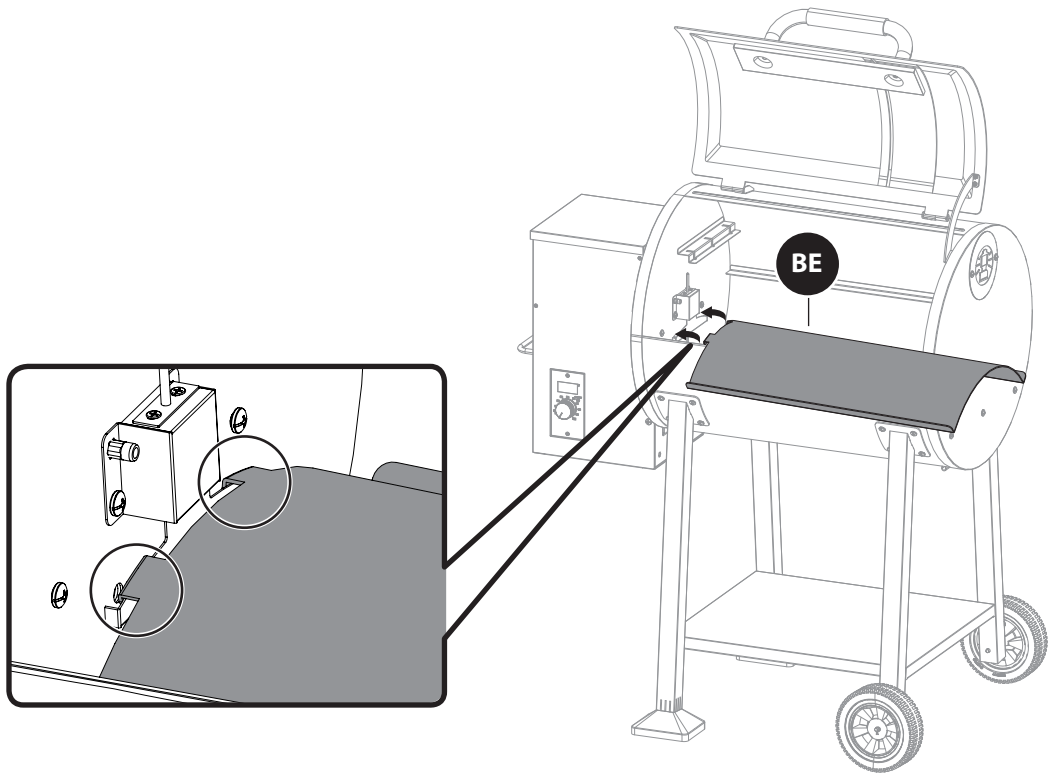


X 2

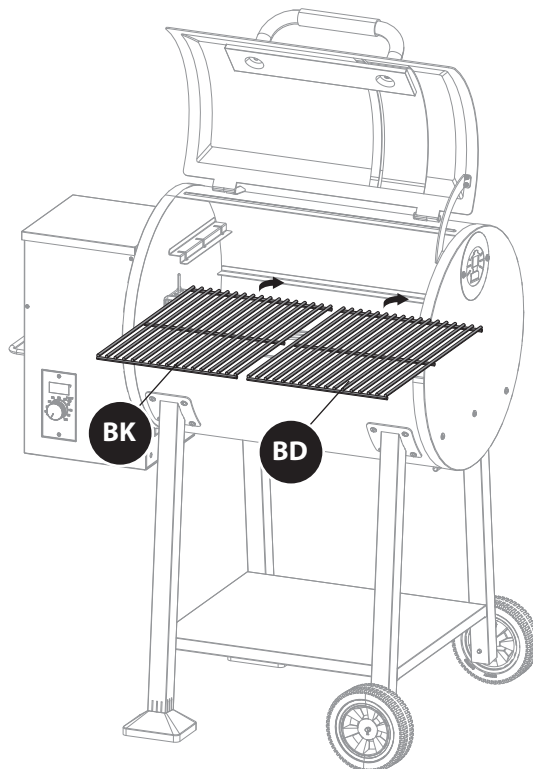


# ASSEMBLY INSTRUCTIONS

5

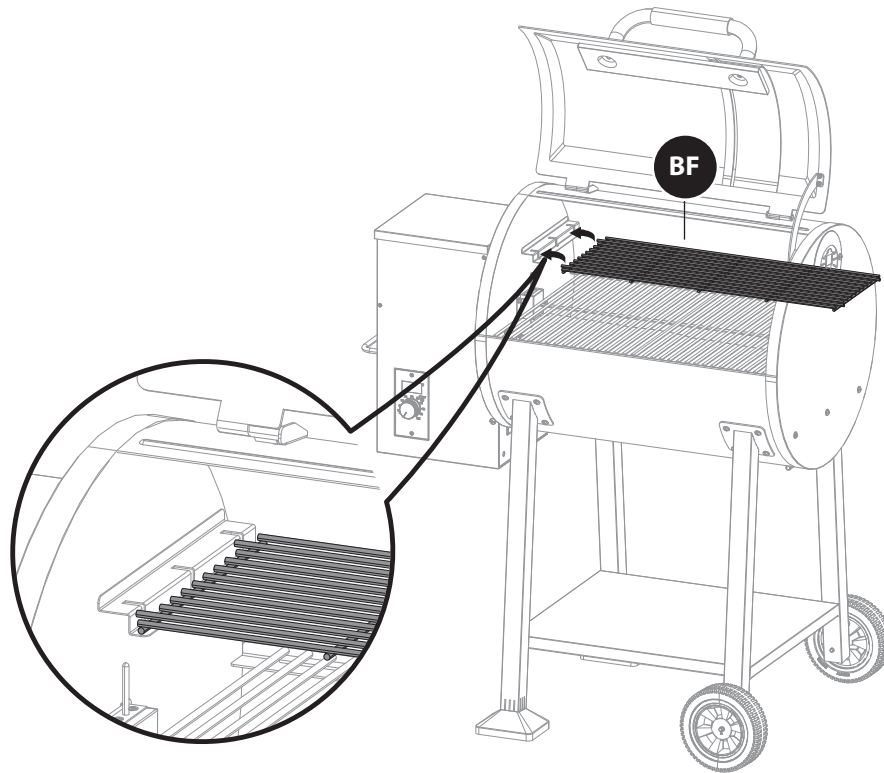


6

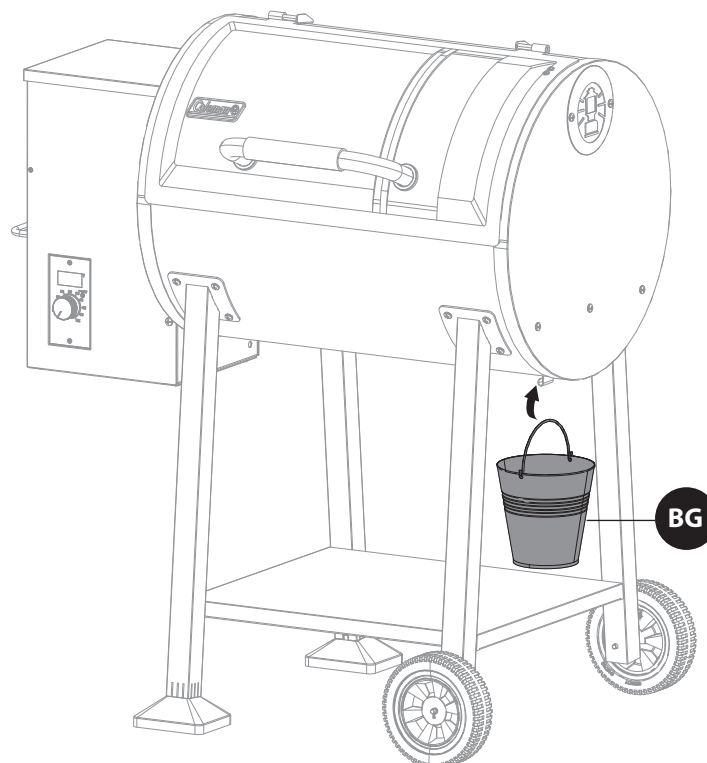


# ASSEMBLY INSTRUCTIONS

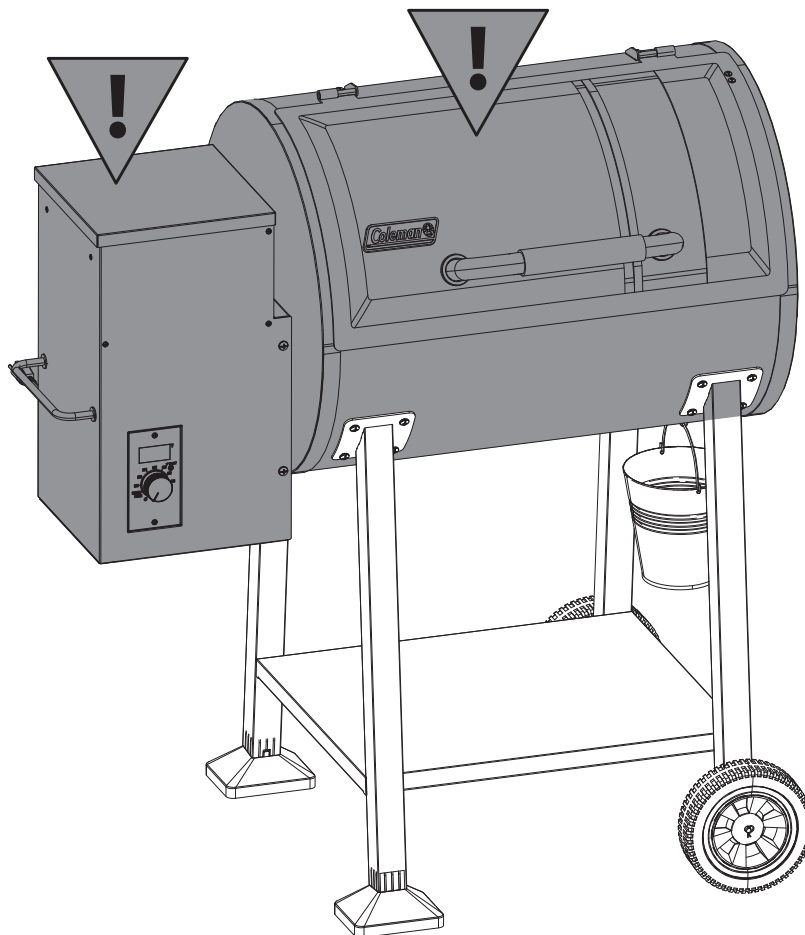
7



8



## **⚠ WARNING HOT SURFACES:**



### **CAUTION!**

- AVOID BURNS.
  - DO NOT TOUCH WHEN PELLET GRILL IS IN USE.
  - EXTREMELY HOT SURFACE.
- \* SHADED AREAS BECOME EXTREMELY HOT WHEN IN USE.



### **WARNINGS**

- Failure to follow all of the manufacturer's instructions could result in hazardous fires, explosion, property damage or serious personal injury or even death.
- Do not try to start this pellet grill without reading and understanding the safety risks and instructions for use, outlined in the Safe Use & Care Manual.
- Some parts may contain sharp edges. Wear protective gloves during assembly and usage of this appliance.



Licensed by BackHome Products LLC.

©2024 The Coleman Company, Inc.

Coleman®,  and  are registered trademarks of  
The Coleman Company, Inc. used under license.