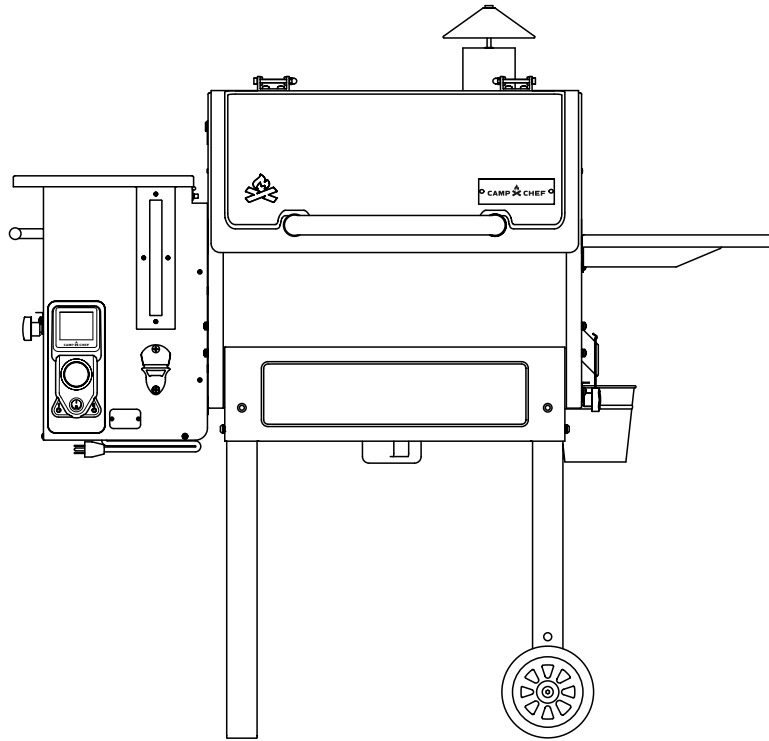




DLX 24

WIFI PELLET GRILL



OWNER'S MANUAL

MODEL NUMBER: **PG24C**

IMPORTANT SAFETY WARNINGS

READ AND FOLLOW ALL INSTRUCTIONS BEFORE INSTALLING AND USING THE APPLIANCE

Please read this entire manual before installation and use of this pellet fuel-burning appliance. Failure to follow these instructions could result in property damage, bodily injury, or even death. Contact local building or fire officials about restrictions and installation inspection requirements in your area. **SAVE THESE INSTRUCTIONS.**

TO INSTALLER OR PERSON ASSEMBLING THIS APPLIANCE:

Leave this manual with this appliance for future reference.

TO CONSUMER: Keep this manual with this appliance for future reference.

This instruction manual contains important information necessary for the proper assembly and safe use of this product.

▲ WARNING: FOR OUTDOOR USE ONLY

▲ CARBON MONOXIDE WARNING

Follow these guidelines to prevent this colorless, odorless gas from poisoning you, your family or others:

- Know the symptoms of carbon monoxide poisoning: headache, dizziness, weakness, nausea, vomiting, sleepiness, and confusion. Carbon monoxide reduces the blood's ability to carry oxygen. Low blood oxygen levels can result in loss of consciousness and death.
- See a doctor if you or others develop cold or flu-like symptoms while cooking or in the vicinity of this appliance. Carbon monoxide poisoning, which can easily be mistaken for a cold or flu, is often detected too late.
- Alcohol consumption and drug use increase the effects of carbon monoxide poisoning.
- Carbon monoxide is especially toxic to mother and child during pregnancy, infants, the elderly, pellet grills and people with blood or circulatory system problems, such as anemia, or heart disease.

▲ WARNING

CLEANING:

- Normal use will create a buildup of ash, grease, and creosote inside the pellet grill. The pellet grill must be thoroughly cleaned after every 50 hours of use or if a buildup of grease or creosote is noticed inside the pellet grill.
- Clean the pellet grill by removing all internal parts and thoroughly scrape away all grease and creosote from all internal surfaces, including the grease drain, and remove debris from the pellet grill.
- The drip tray must always be cleaned

▲ DANGER

FIRE HAZARD:

- Never operate this appliance unattended.
- Never operate this appliance within 10 ft (3 m) of a stored LP cylinder.
- Never operate this appliance within 25 ft (7.5 m) of any flammable liquid.
- If a fire should occur, keep away from appliance and immediately call your fire department. Do not attempt to extinguish an oil or grease fire with water.
- Minimum distance from sides and back of the unit to walls or railings is 36".
- Do not operate under overhead construction.

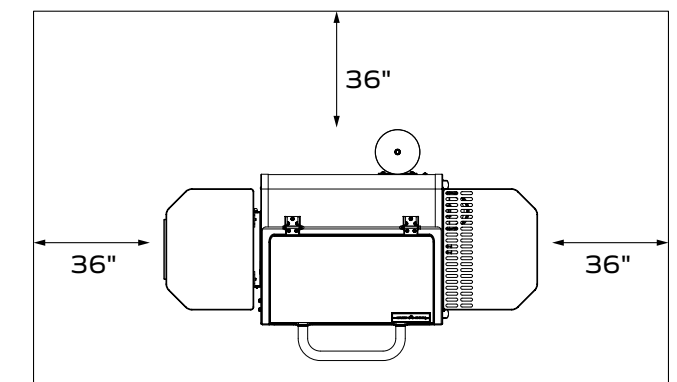
▲ DANGER

ELECTRIC SHOCK:

- Do not work on this grill if it is plugged in. Electric shock may occur resulting in death or serious injury.

prior to turning the pellet grill to high. Excessive buildup of grease and creosote may result in a grease fire. If a grease fire does occur, turn off the pellet grill using the main power switch and close the lid. Leave the lid closed until the fire extinguishes itself. If an uncontrolled fire does occur, immediately call the local fire department.

- Never put water on a grease fire.
- Never open the burner clean-out port when the pellet grill is hot.



SAVE THESE INSTRUCTIONS

GENERAL WARNINGS

PRE-USE INSPECTION:

- Do not operate appliance under ANY overhead construction. Keep a minimum clearance of 36 inches (0.9 m) from the sides, front and back of appliance to ANY construction. Keep the area clear of all combustible material and flammable liquids, including wood, dry plants and grass, brush, paper, and canvas.
- Use only on a level, stable non-combustible surface like bricks, concrete or dirt. Do not use this appliance on any surface that will burn or melt like wood, asphalt, vinyl or plastic.
- Make sure burner clean-out is closed before starting the pellet grill.
- Make sure the grease bucket is in place before starting the pellet grill.

OPERATION:

- Do NOT leave this appliance unattended while in use. The user must remain in the immediate area of the product and have a clear view of the product at all times during operation.
- Keep children and pets away from burner at all times.
- The use of alcohol, prescription or non-prescription drugs may impair your ability to properly assemble or safely operate this appliance.
- For OUTDOOR use only. Do NOT use in a building, garage or any other enclosed area. Do NOT use in or on recreational vehicles or boats. NEVER use this appliance as a heater.
- Keep the lid closed during cooking.
- In the event of a fire the dial should be turned to shutdown, close the lid, and leave it closed until the fire goes out. After allowing the pellet grill to cool, follow the cleaning instructions before the next use.
- Do not use accessories not specified for use with appliance.
- Never use gasoline, gasoline-type lantern fuel, kerosene, charcoal lighter fluid, or similar liquids to start or freshen up a fire in this appliance. Keep all such liquids well away from the appliance when in use.
- This product is not intended for commercial use.

PELLETS:

- Use only food grade hardwood pellets manufactured for use in pellet grills. Using softwood or heating pellets will void your warranty.
- It is recommended that you not store pellets in the hopper for extended periods as they may absorb moisture from the air and clog the auger.
- Do not allow the hopper to run out of pellets. Pellets can be added at any time. The hopper will hold approximately 30 pounds of pellets. The pellet usage will vary greatly depending on the ambient temperature as well as cooking temperature.

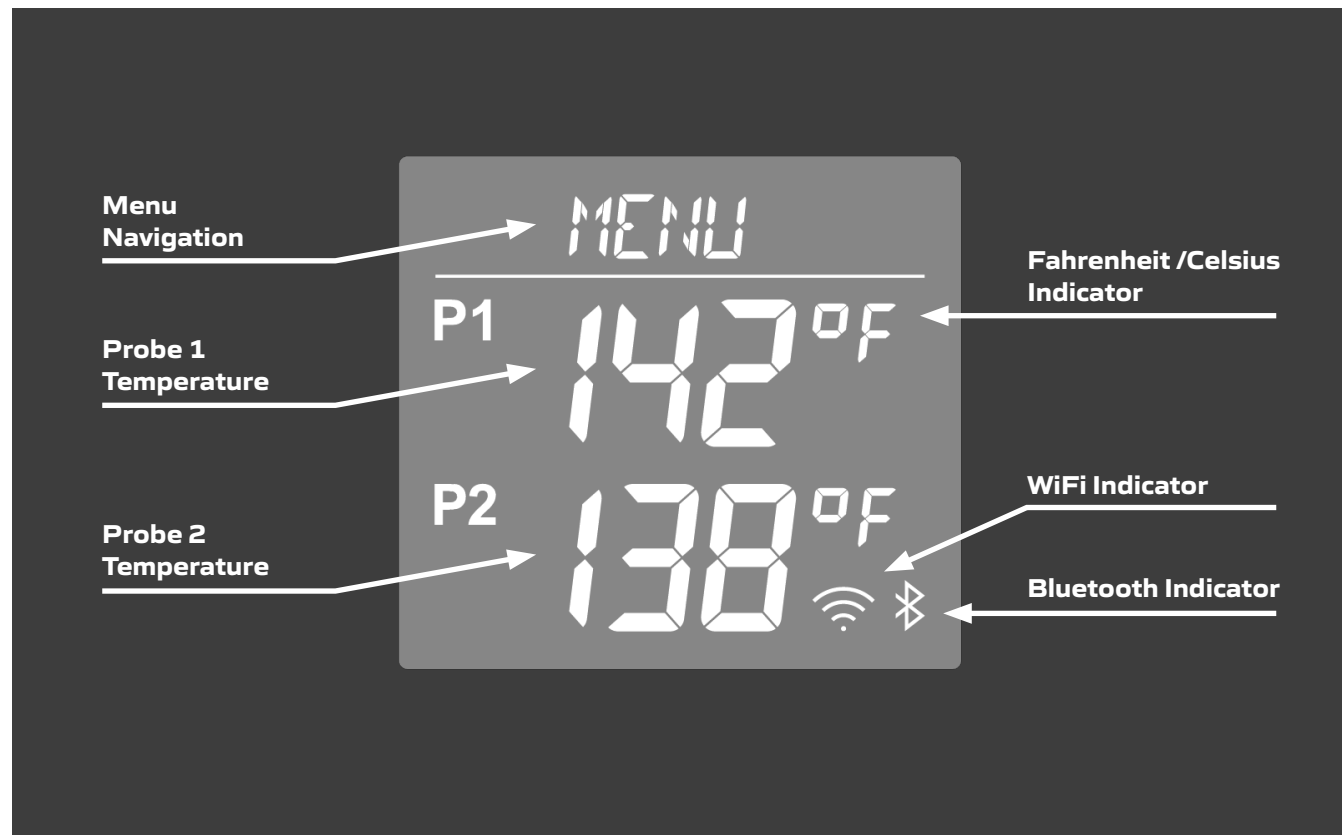
CLEANING:

- Creosote – Formation and need for removal. When wood pellets are burned slowly, they produce tar and other organic vapors that combine with expelled moisture to form creosote. The creosote vapors condense in a relatively cool oven flue and exhaust hood of a slow burning fire. As a result, creosote residue accumulates on the flue lining and exhaust hood. When ignited, this creosote makes an extremely hot fire. The grease duct should be inspected every 50 hours of cooking to determine when grease and/or creosote build-up has occurred. When grease or creosote has accumulated, it should be removed to reduce risk of fire.
- Ashes should be placed in a metal container with a tight fitting lid. The closed container of ashes should be placed on a non-combustible floor or on the ground, well away from all combustible materials, pending final disposal. When the ashes are disposed by burial in soil or otherwise locally dispersed they should be retained in the closed container until all cinders have thoroughly cooled.

STORAGE:

- Always allow the appliance to cool before covering with the cover.
- Always cover the appliance, with cover (if supplied), when not in use.
- Always unplug pellet grill before installing patio cover.

CONTROLLER OVERVIEW



CONTROLLER FUNCTION OVERVIEW CONT.

Set temperature:

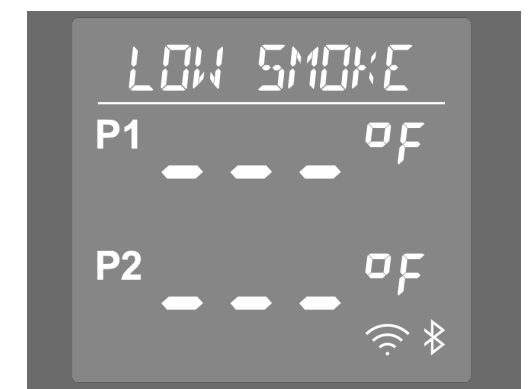
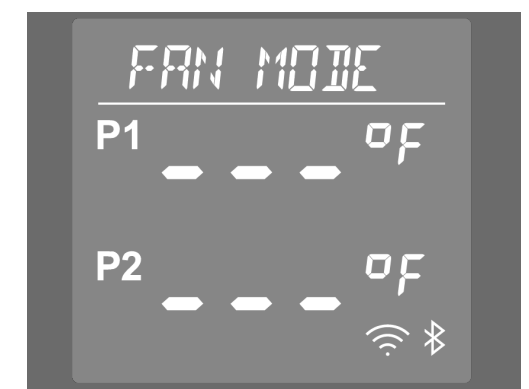
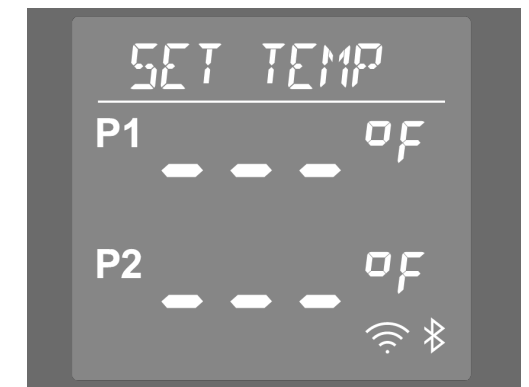
Use this setting to set your temperature (160 - HIGH). Rotate the dial to the desired temperature and press to confirm. After setting your temperature you will be prompted to set your smoke level.

Your controller also comes with two built-in presets with set temperatures and smoke levels. These can be found by navigating counter clockwise on the controller.

1. Low Smoke: A preset of 160°F with a smoke level of 2.
2. High Smoke: A preset of 220°F with a smoke level of 3.

Fan mode:

Use this setting when cold smoking. This setting is used to turn the fan on without lighting the burner. This can be used with a pellet tube to circulate ambient air through the grill for cold smoking. This works best when ambient temperatures outside are cool.



CONTROLLER FUNCTION OVERVIEW

We will walk you through the basic functions of your controller in the next few pages.

To navigate, rotate the dial to scroll through menus and press the dial to select.

Main menu:

Push the controller dial to enter the main menu.

The main menu allows you to set the temperature of your pellet grill, initiate fan mode, feed pellets through the auger, change from Fahrenheit to Celsius, Connect the device to WiFi, and reset the device as needed.

SET TEMP

FAN MODE

FEED

UNITS

ABOUT

RESET

Feed:

This setting is used to feed pellets to the burner and should only be used in the following scenarios:

1. The first time you use the grill to fill the auger tube.
2. Anytime you inadvertently run the hopper out of pellets or if you want to change pellet variety.

Once the FEED cycle has finished, the controller will return to the main menu and the auger tube will be filled with pellets. You are now ready to start cooking.

▲ Do not over-fire the grill by over feeding pellets into the burner prior to startup. If flame is inadvertently extinguished never restart the grill without first cleaning out the burner. Improper use can cause an uncontrolled fire.

Units:

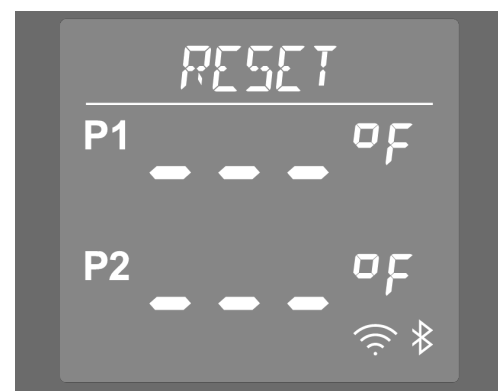
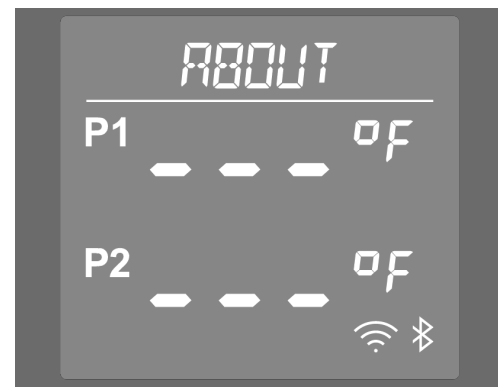
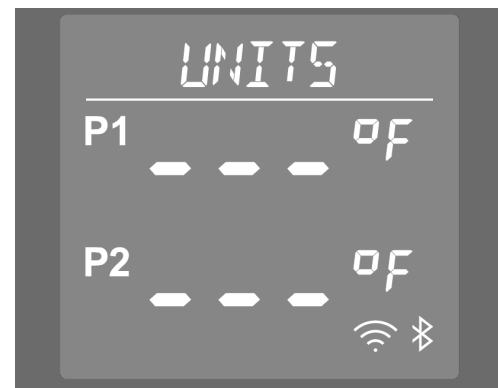
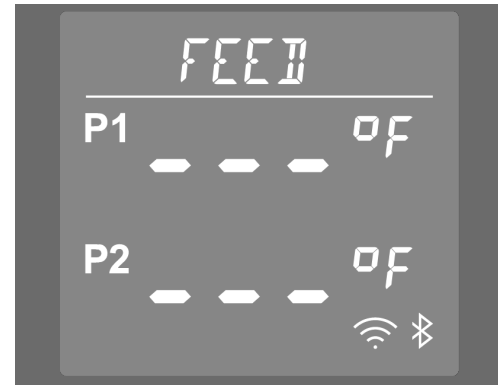
Switch between Fahrenheit and Celsius.

About:

1. Program: Check your program firmware version, your grill ID, or connection status.
2. Grill ID: Add your pellet grill to your devices in the Camp Chef App.
3. Connection: Verify your connection status

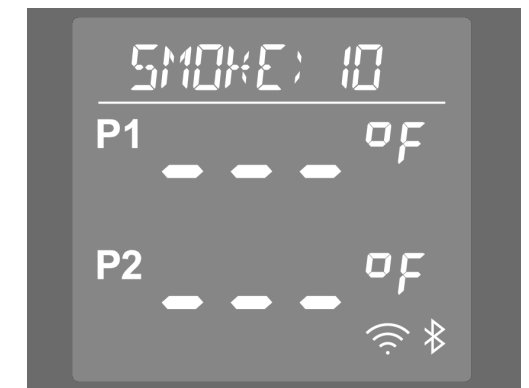
Reset:

Reset your WiFi and Bluetooth history from the controller. Refer to troubleshooting for more information.

**Set smoke level:**

Use this setting to adjust the smoke level. Rotate dial to the desired smoke setting and press to confirm. The smoke setting can be adjusted from 1-10.

A smoke setting of 1 will produce less smoke and maintain a more even temperature. As the smoke setting increases, the temperature fluctuations will also increase.



CAMP CHEF CONNECT APP

CAMP CHEF APP

With our innovative PID and WIFI enabled controller, stay connected to your pellet grill using the Camp Chef app.

Getting started:

1. Download the Camp Chef Connect app from the app store or the Android Play.



2. Allow for notifications. Certain features, like the pellet sensor, are only available on the app.
3. Turn the smoker controller on using the main power switch on the controller.
4. Open the Camp Chef Connect app and follow the setup instructions to set up an account.
5. Click on devices, then select add a new device.
6. Follow the setup instructions for connecting the smoker to your home 2.4GHz WiFi network.

⚠ For safety reasons, you are only able to start the grill from the controller and not through the app. If you attempt to start the grill from the app, it will prompt you to start the grill from the controller.

CAMP CHEF CONNECT APP FUNCTIONS

The Camp Chef Connect app lets you do everything the controller can do and more.

Probes:

Your pellet grill comes with two probe ports. Organize your probes by naming them within the app and assigning them target temperatures. (Yes, we'll even send you notifications when they get close!)

⚠ Do not use meat probes when grill temperature exceeds 350°F. Damage to the probes may occur.

Timers:

Create a list of timers to remind you to check your grill at important intervals. Timers are persistent and can be easily used across different cooks. This can be extremely helpful in multi-stage smokes like ribs or brisket.



Bypass:

Use bypass in the case of power failure/accidentally outage or you need to restart the grill and it is still hot.

⚠ Use only if grill has been off for less than 3-4 minutes.

This method is used to bypass the normal startup, ignite new pellets, and get back to cooking. BYPASS can be selected during the initial startup of the grill.

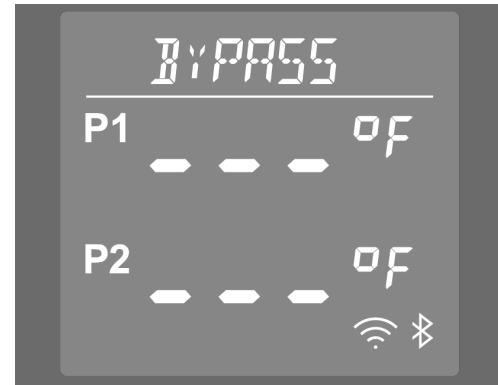
Shutdown:

Use this setting when you are finished with your cook. The fan will remain on for up to 20 minutes. This setting will burn up any extra pellets in the burner and cool down the grill. After 20 minutes the display screen will turn off and the grill can be unplugged.

⚠ This setting must be used after each use.

⚠ Do not turn the main power switch off when the grill is hot.

⚠ In event of a grease fire, do not use the shutdown mode. Turn the grill off and use a fire extinguisher.



QUICK START GUIDE

Before you start your first cook, you'll need to burn-in your pellet grill, which will burn off any residual oils left over from the manufacturing process.

1. Fill the hopper with pellets.

For best results we recommend using Camp Chef Premium Hardwood Pellets.

▲ *Use only food grade hardwood pellets, NOT softwood or heating pellets.*

2. Plug in your pellet grill and turn it on by pressing the power switch.

If controller does NOT turn on, check to make sure the outlet has power by testing another appliance or by checking the breaker and/or GFCI switch. For further help see the troubleshooting section of this manual on page 20.

3. Select FEED from the main menu

4. Allow FEED cycle to finish running.

Once the feed cycle has finished, as shown on the countdown, the controller will return to the main menu and the auger tube will be filled with pellets.

5. Empty the burn cup and replace it.

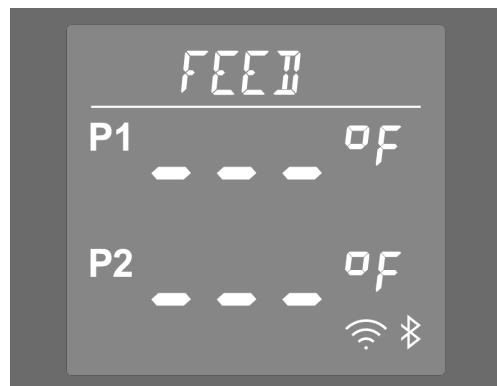
Empty out the burn cup by pulling the clean-out knob on the side of the pellet grill.

▲ *Excess pellets from the feed cycle must be emptied before starting your grill and beginning your initial burn-in.*

Replace the ash cup and close the ash clean-out by pushing the knob back in and securing it under the locking collar.

6. Open the pellet grill door (leave open during entire startup cycle).

▲ *ALWAYS start the pellet grill with the door open and leave open during the entire startup cycle, not just for the initial burn-in.*



7. Select SET TEMP and set the temperature to 350° F.

8. Set the smoke setting to 1.

9. Close the pellet grill door after the startup cycle has finished.

The startup cycle lasts 6 minutes.

10. Allow the pellet grill to reach 350°F.

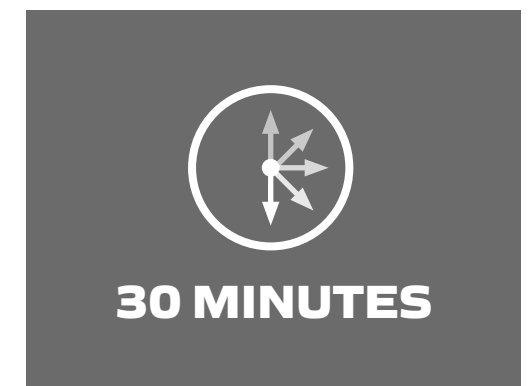
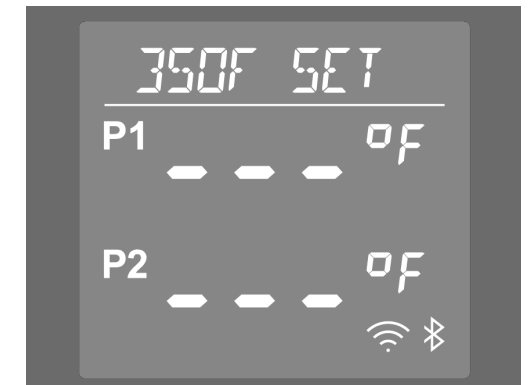
11. Allow the pellet grill to cook for 30 minutes.

This burns off any residual oils used in the manufacturing process.

12. Select SHUTDOWN from the main menu.

During SHUTDOWN the fan will remain on for 20 minutes to finish burning any pellets in the burn cup and cool the pellet grill down.

After 20 minutes the screen will turn off and the grill can be unplugged.



USING YOUR PELLET GRILL

Now that your new pellet grill has been properly seasoned you are ready for your first cook. Follow these instructions every time you operate your grill:

1. Fill the hopper with pellets.

For best results we recommend using Camp Chef Premium Hardwood Pellets.

▲ *Use only food grade hardwood pellets, NOT softwood or heating pellets.*

2. Empty the burn cup and replace it.

Empty out the burn cup by pulling the clean-out knob on the side of the pellet grill.

Replace the ash cup and close the ash clean-out by pushing the knob back in and securing it under the locking collar.

3. Ensure the grease tray is clean and in place.

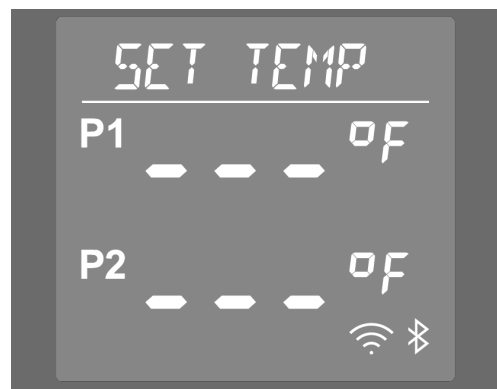
4. Plug in your pellet grill and turn it on by pressing the power switch.

If controller does NOT turn on, check to make sure the outlet has power by testing another appliance or by checking the breaker and/or GFCI switch. For further help see the troubleshooting section of this manual on page 20.

5. Select SET TEMP and set to your desired temperature.

Use this setting to set your temperature (160 - 450°F). Rotate the dial to the desired temperature and press to confirm.

Your controller also comes with two built-in presets with set temperatures and smoke levels (Low Smoke and High Smoke). See page 7 for more information on these presets.



6. Select your smoke setting from 1-10.

▲ *The SET SMOKE setting is only available for temperatures from 160° F - 350° F*

Use this setting to adjust the smoke level. Rotate dial to the desired smoke setting and press to confirm. The smoke setting can be adjusted from 1-10.

A smoke setting of 1 will produce the least amount of smoke, while a 10 will produce the greatest.

7. Open the pellet grill door (leave open during entire startup cycle).

The startup cycle lasts 6 minutes.

▲ *ALWAYS start the pellet grill with the door open and leave open during the entire startup cycle, not just for the initial burn-in.*

8. Place your food on the pellet grill.

9. Plug a probe into one of the two available ports on the controller.

10. Insert the probe through the stainless steel flap on the side of the chamber.

11. Insert the probe into your food.

To get the most accurate temperature readings make sure to insert the probe tip into the thickest part of the meat and not touching any bone.

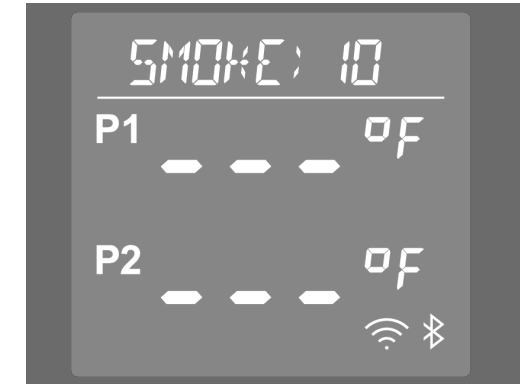
12. Monitor your cook.

Organize your probes by naming them within the app and assigning them target temperatures. To learn more about what the app can do, go to campchef.com.

13. Select SHUTDOWN from the main menu.

During SHUTDOWN the fan will remain on for 20 minutes to finish burning any pellets in the burn cup and cool the pellet grill down.

After 20 minutes the screen will turn off and the grill can be unplugged.



PELLET GRILL MAINTENANCE

If you've got yourself a pellet grill, you're probably enjoying a steady stream of incredible food, whether it's fresh-baked pizza or smoked brisket. But with each cookout, your pellet grill collects a little more grease and ash. To keep your grill at its best, ready to cook all your favorite foods, follow our cleaning guide below.

BETWEEN EACH COOK:

For quick cleanup between cookouts, you don't need to do anything too dramatic. In fact, our patented Ash Clean-out system makes it as simple as pulling a knob. Before you fire up the pellet grill each time, just empty the ash into the cup, and you're good to go. It's almost too easy.



Disposing of ash:

If the ash is completely cool, it can be wrapped up in aluminum foil and tossed in the garbage.

▲ Never dispose of hot ashes. Allow them to cool before proper disposal.

Don't forget about the internal temperature probe. You'll want to clean it between each cook. It's located in the left hand side of the cooking chamber, and is about the size of a pencil. Our goal is to keep it looking silver. To do this mix a vinegar/water solution and use a scouring pad. Often times if your temperature does not read accurately it's because the temperature probe is not clean.

Besides emptying the burn cup, you may want to spot clean between cook sessions as well. This can be as simple as wiping away grease spots or food residue on the door or side shelf. You should also scrape down the pellet grill grates with a wire grill brush or spatula before you start cooking to avoid a burnt taste on your food.

Pull out the grease tray and ensure the grease tray is free from grease buildup. To avoid flare-ups in the pellet grill, use a spatula to remove any grease

from tray. Ensure the drain hole and grease drain are not blocked.

Tip: Scrape your grates with a wire brush after every cook while the grates are still warm.

▲ Don't burn yourself if your pellet grill is still hot.

Cleaning meat probes:

Clean your probes after each use. Use warm soapy water and a cloth or paper towel. **▲ Do not submerge wire in water. Not dishwasher safe.**

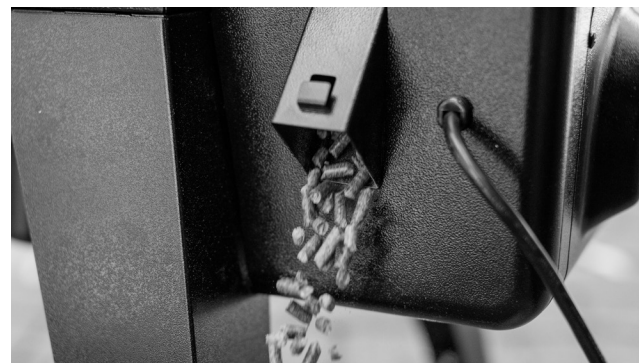
If you take these small steps toward keeping your pellet grill clean, any deeper cleaning you do will be much easier.

AFTER 50 HOURS OF COOKING:

You should give your pellet grill a deep clean roughly every 50 hours of cooking. If you don't cook on your pellet grill very often (you should fix that), you may only need to deep clean your pellet grill once every several months. Be sure to clean the internal temperature probe and dump the ash cup like in the step previous. If you're a pellet head like we are, you'll find yourself doing this routine more often. Luckily, it's quite simple.

Cleaning the exterior:

▲ Safety first! Make sure your pellet grill is totally cool, then unplug it from its power source.



Empty the pellet hopper to prevent your pellets from getting wet or coming into contact with cleaning substances.

Spray stainless steel cleaner on the painted surfaces of your pellet grill. Avoid spraying any plastic components. (You can also use hot, soapy water-it just may not work as quickly!)

▲ Do not use oven cleaner, abrasive cleaners, or abrasive cleaning pads on the exterior surfaces of your pellet grill.

Let the cleaner sit for about 30 seconds to give it a chance to break down grease and smoke stains.

Wipe off the cleaner with a clean paper towel or rag. Wipe in circles on all painted surfaces. Repeat the process once more to clean off any remaining grease or smoke. With a rag, rinse thoroughly if you used soapy water.

Cleaning the interior:

▲ Safety first! Make sure your pellet grill is totally cool, then unplug it from its power source.

Empty the pellet hopper to prevent your pellets from getting wet or coming into contact with cleaning substances.

Pull the Ash Clean-out knob and empty the ash from the burn cup.

Open the door and remove the cooking grates, any extra racks, drip tray, and heat diffuser plate from inside the pellet grill. Pay attention to how these pieces are installed (or even take a picture) so you'll have an easier time reassembling your pellet grill.

Use a wet/dry vacuum with a hose attachment to remove loose ash and debris.

Remove creosote buildup from updraft walls.

Look for places inside your pellet grill where grease has built up. Use something with a flat edge (a paint stick, pan scraper, etc.) to dislodge and remove it.

Use hot, soapy water and a rag to wash the interior of your pellet grill, as well as each piece you pulled out.

Repeat the process until most of the grease buildup is gone.

With a rag, rinse thoroughly if you used soapy water and allow everything to dry.

▲ NEVER cover slots, holes, or passages in the pellet grill bottom or cover an entire rack with material such as aluminum foil. Doing so blocks air flow through the pellet grill and may cause carbon monoxide poisoning. Aluminum foil linings may trap heat causing a fire hazard.

Allow to dry for at least 24 hours before cooking, and double-check that the hopper has no water in it before reloading pellets.

Cleaning the exhaust vents:

When wood pellets are burned slowly, they produce tar and other organic vapors that combine with expelled moisture to form creosote. The creosote vapors condense on cooler areas of your pellet grill, like your exhaust vents. When ignited, creosote can produce an extremely hot fire and damage property or the exterior finish of your pellet grill. Creosote and grease should be removed to reduce the risk of fire.

Remove the bolts on either side of the vents on the back of your pellet grill. From the inside of your pellet grill, remove the vent cover that is now loose. Remove any grease or creosote buildup and replace the cover.

Dedicating a bit of time to cleaning out your pellet grill, both between cooks and a couple of times a year, will keep the good food coming for years. When you love your grillfriend, it will love you back.

Pellet storage:

Store pellets indoors in a dry space away from humidity, moisture fluctuation, and heat producing appliances. If your pellet grill ever isn't running properly, pellets are the first thing to check.

FREQUENTLY ASKED QUESTIONS

Do you need to use pellets all the time? Even if you are not wanting to smoke the food?	Pellets are the main source of fuel on this pellet grill.
What brand of pellets should I use?	You will want to use 100% all natural wood pellets with no additives, binders, glue, corn, or any other oils. Camp Chef is recommended.
How long do you want to run the pellet grill before you can cook on it?	You will want to go through the full startup process with the lid up. You can put the lid down once there is a temperature displayed on the controller. From there, wait until it gets up to the desired temperature and then you are good to put your food in and start your cook.
How long does it take the pellet grill to start up?	The startup process for the pellet grill is about 6 minutes to ignite the pellets. From there it will take 10-20 minutes to get up to the desired temperature. The hotter the temperature, the longer it can take. Please note that colder temperatures outside can affect the time as well.
Do I need to empty the ashes every time?	Yes, this will start you off with a fresh burn cup. If you do not empty the ashes, burner may not ignite, you can have temperature swings, flame-outs, and/or burn back into the hopper.
Why is there extra ash in the bottom of the pellet grill?	Ash at the bottom of the pellet grill is normal due to the blower fan that keeps the pellets burning. Make sure that the ash pull out is pushed in all the way, and straight. If it is at an angle, then it will allow extra air to get through, blowing the ash out of the burn cup.
Why have the ash clean out, if all the ash doesn't go into the cup?	The ash clean out system is to help start out with a fresh burn cup each time you cook, without vacuuming it out. You want an empty burn cup each time because this helps the pellets burn better and more efficient without temp swings. We have cut the vacuuming down to only after 50 hours of use, like the manual suggests, instead of each cook.
Smoke is escaping around the lid. Can I add a sealant around my lid?	Adding a sealant around the lid will void your warranty. This grill is designed to have ample airflow and circulation that is required for a superior cook.
Is it normal for my pellet grill to put off a lot of smoke at first?	Yes. This is due to the igniting of the pellets.
Is it normal for my pellet grill to produce little to no smoke?	At higher temp settings, there will be less smoke, due to the burning of pellets. On the lower settings, the pellets are smoldering, so there will be more smoke, however the smoke comes in waves throughout cooking.
Why is my pellet grill fluctuating in temperature?	Temperature variation is normal. Your pellet grill will not have the same temperature readout like an oven (even though your oven at home has a similar temperature fluctuation.) It is programmed to let the flame go out and smolder, creating more smoke. If it never did this, there would be very little smoke. This creates temperature swings, but the cooking results are great.

Why won't my pellet grill get below 180-220°F when set at 150°F?	Due to the pellet grill being made from steel, you will want to make sure it's in the shade, and not in direct sunlight, especially when it's hot outside. Think of how hot your car can get during the summer months. Kinda the same thing. Therefore it's normal to not be able to get lower temps on hot days.
Why is there smoke coming out of the hopper, through my pellets?	A little smoke is normal when airflow is restricted through the vents or wind is blowing through the vents.
How many pounds of pellets will I go through per hour?	There are many variables that play into this, however in good weather, on high setting, the pellet grill will burn about 3 lbs. of pellets per hour.
During winter/colder months, how do I ensure my pellet grill stays up to temperature?	A few tips are to make sure meat is at room temperature, not straight from fridge; make sure that the lid is not open for very long when putting food in; when using lower settings, turn knob to 350, then once temperature gets to desired setting, turn down to the desired setting.
What is the Bypass for?	You are given the option to bypass in both the feed and startup modes. You can bypass in the feed mode if you hear pellets dropping into the burn chamber. Only bypass startup if your pellet grill is still hot. For example, if there is a power outage and the pellet grill accidentally shuts off, or if you need to restart the pellet grill and it is still hot, then you would use Bypass Mode. This mode is to be used only if the pellet grill has been shut off momentarily and the pellets in the burn cup are still hot enough to ignite the pellets.
Are there different heat zones in my pellet grill?	Yes. Our racking system is optimized to keep variable temperatures at a minimum. Due to heat rising and the fan blowing to keep the pellets burning, there are heat zones throughout the pellet grill. You can test the heat zones by baking biscuits in the chamber and comparing the brownness of each area. You may want to rotate your food throughout your cook to ensure all your food is cooked the same.
Can I line my drip pan in foil?	Yes, you can line your drip pan in foil for easy cleanup. We would just recommend double checking the foil and make sure there are no paths for the oil to go into the bottom of the pellet grill.
Why is black stuff peeling from inside my pellet grill?	This is a deposit of grease and smoke collecting from normal use. Peeling is easy to remove. Brush off all loose particles with a stainless-steel brush before smoking. To prevent: after every smoke session, while the lid is still warm (not hot,) wipe with paper towels or a mild degreaser solution.
Do I need a mobile application to use my pellet grill?	No. The app is not required to use your pellet grill. You can still set temperatures and adjust Smoke Numbers from the controller.
Can I add multiple pellet grills to the app?	Yes. After you've set them up within the account you can easily switch between pellet grills within the app.
Can I run one pellet grill with multiple mobile devices?	Yes. Each pellet grill you set up will be connected to your user account. You can run a pellet grill on any device that is logged in to your account.
How do I connect to WiFi?	Follow the getting started instructions on page 11.

TROUBLESHOOTING

<p>Why does my pellet grill not turn on after switching the power button to the on position?</p>	<p>Make sure the pellet grill is plugged into a powered outlet. Check the circuit breaker and/or GFCI switch, or test the outlet using another appliance.</p> <p>Unplug the pellet grill and check the fuse located by the power cord inlet, on the back side of the hopper. If the fuse is blown, replace only with a 4.0 Amp 125 V 55x20mm Fast Blow Fuse. Typical fuse markings will be 4A125V, F4A125V, 4A250V, or F4A250V. Make sure to confirm they are a Fast Blow Fuse. Actual fuse dimensions are 5.2x20mm.</p>
<p>My pellet grill does not heat up?</p>	<p>Turn the power off and check the hopper for pellets. Check the firebox to see if there are pellets in it. The easiest way to do this is to pull the burner clean-out lever, remove the cup from the bottom of the pellet grill and check for pellets.</p> <p>If there are a lot of pellets in the cup, reinstall the cup and close the burner clean-out. Remove the cooking grates, grease tray, and heat deflector and vacuum out any pellets in the bottom of the pellet grill. Try restarting the the pellet grill and if the pellets are dropping into the the burn cup, but not igniting, the heating rod may need to be replaced. Call customer service.</p> <p>After restarting, if there are no pellets falling into the burn cup, check to see if the auger is turning. If the auger motor is turning, but the auger isn't rotating, the auger pin may be sheared and need to be replaced.</p>
<p>Why is my auger not turning?</p>	<p>You may have wet pellets which have swollen and jammed the auger, if this is the case, call our customer support team. This will require some disassembly to gain access to the auger chamber in order to clean out the jammed pellets.</p>
<p>Why is my pellet grill not feeding pellets, but my auger is turning?</p>	<p>Check to see if there are pellets in the hopper, or if there is something blocking the pellets from going into the auger chamber.</p>
<p>My probe temperatures do not display?</p>	<p>Make sure the meat thermometer is connected properly to the controller. If it still doesn't work, the probe may be damaged and need to be replaced.</p>
<p>My Ash Clean-out is stuck, what do I do?</p>	<p>There is a protectant we use on the raw steel, and when it heats up, it all goes down to the bottom of the grill, causing the two to stick together. Try hitting the plate from the bottom of the pellet grill, with a rubber mallet, in an upward motion or from the inside of the pellet grill, downward. This should free the two pieces.</p>
<p>Why am I blowing the fuse?</p>	<p>It's most likely the Hot Rod, however you will want to check the blower and auger motor also. To check the Hot Rod and motors: disconnect the Hot Rod wires (Purple, A) from the controller, turn the dial to any of the temperature settings. If you don't blow a fuse, then it's most likely the Hot Rod. Repeat with the other wires. Make sure to replace with the correct fuse. 4 AMP 125 or 250 V, Fast Blow Fuse.</p>

<p>Having trouble with WiFi connection.</p>	<p>This may be due to a number of factors. Use the following to troubleshoot:</p> <ul style="list-style-type: none"> • Make sure your pellet grill is in range of your WiFi router. • Ensure you have a 2.4GHz WiFi network in range. • In your phone settings, click the 'show password' icon to review your network password to ensure there are no typos in the Camp Chef app. <p>Note: WiFi hidden networks and open networks are not supported.</p>
<p>What do the Bluetooth and WiFi icons on the controller mean?</p>	<ol style="list-style-type: none"> 1. Flashing slow: not connected 2. Flashing fast: connecting 3. Solid: connected
<p>I cannot get my WiFi/Bluetooth reconnected. I've reset everything, uninstalled the the app on my device, it recognizes the grill but never makes the connection.</p>	<p>Do the following:</p> <ol style="list-style-type: none"> 1. Go into the app's Device Management and remove the pellet grill from your account by swiping it away to the left. 2. In your phone's Bluetooth settings, find an item named "CampChef:xx:xx" and forget or unpair it. 3. On the pellet grill go to the main menu and choose Reset. This will forget the Bluetooth and WiFi configurations for the pellet grill. 4. Turn the pellet grill off, count to 5 slowly, and turn it back on. Close the app entirely (not just minimized, actually swipe it closed) and reopen it. 5. Go into the app and then search for the pellet grill; select it from the search results. The app should prompt you for a PIN that is displayed on the pellet grill. 6. The app will now scan and show you a list of available WiFi networks. 7. Select or enter your desired WiFi network, then enter the password.

TROUBLESHOOTING - ERROR CODES

---	This is an error code that occurs with the meat probe. Check to see if you have your meat probe inserted into the port on the faceplate. If you have your meat probe inserted, try unplugging the probe and then plugging it back in. If the error code persists, then you may need a new meat probe.
FLAME OUT	This happens when the fire in the pellet grill goes out or falls below a certain temperature and does not go back up. This happens more so in the winter months. Also, make sure the pellets are dry and do not have any moisture in them. If they crumble easy, then they have moisture in them.
RTD ERROR	This is an error code that occurs with the RTD. Check that the RTD connection is tight. Try unplugging and plugging it back in. If the error code persists, you may need a new RTD
OVER TEMP	For your safety, if the pellet grill goes over 600F, the controller will automatically shut down the pellet portion of the pellet grill to avoid large grease fires.

SERVICE AND WARRANTY

WARRANTY PERIODS AND COVERAGE		
Warranty Period	Components	Coverage
3 year	Body, Hopper Body, Lid, Legs, Grates	Material and manufacturing defects
1 year	All parts	Material and manufacturing defects

3 YEAR LIMITED WARRANTY (from date of purchase)

Camp Chef No-Hassle Limited Warranty:

Here at Camp Chef we stand by our products, quality controls, and take pride in our customer service. Because of this, your new Camp Chef product comes with a No-Hassle Limited Warranty. For Hassle-Free warranty service, be sure to register your products at campchef.com/productregistration. We warrant that our products will be free from defects in all materials and workmanship (excluding paint and finish) for the Warranty Coverage Period described below. This warranty is extended only to the original consumer purchaser. During the Warranty Coverage Period, we will (at our sole option) replace any defective part or product covered by this warranty when provided with proof of purchase. The replacement will be without charge.

Required Maintenance:

Clean your product after each use to maintain its finish and prolong its lifespan. Wipe away all grease and ashes. Keep metal products free of moisture, salts, acids and harsh fluctuations in temperature. Product paint and other finishes are not covered by this warranty. The exterior finish of the product will wear down over time. For these reasons, the limited warranties do not cover rust or oxidation.

Coverage Details:

Warranty does not cover normal wear of parts or damage caused by misuse, abuse, overheating and alteration. No alterations are covered in this warranty. Camp Chef is not responsible for any loss due to neglectful operation. Furthermore, this warranty does not cover products damaged or rendered defective due to accident, misuse, abuse, modification, water damage, neglect, improper handling or storage, improper maintenance or installation, or exposure to weather, natural disasters such as earthquakes, hurricanes, tornadoes, floods, lightning, fires, or failure to follow instructions for use. Without limiting the exclusions stated above, warranty does not cover; paint damage caused by (i) high temperatures, (ii) UV exposure, (iii) excessive humidity, (iv) chlorine, (v) industrial fumes, (vi) fertilizers, (vii) lawn pesticides, (viii) salt, (ix) other substances, (x) normal wear and tear; and warping of the drip tray or heat baffle. Camp Chef takes every precaution to utilize materials and finishes that retard rust and stand up to normal use.

ANY WARRANTIES IMPLIED BY LAW SHALL IN NO EVENT EXTEND BEYOND DURATION OF THIS EXPRESS WARRANTY. Some States do not allow limitations on how long an implied warranty lasts, so the above limitation may not apply to you. REPAIR OR REPLACEMENT AS PROVIDED HEREIN IS YOUR EXCLUSIVE REMEDY FOR ANY DEFECTIVE PRODUCT. IN NO EVENT SHALL WE BE LIABLE FOR ANY SPECIAL, INCIDENTAL OR CONSEQUENTIAL DAMAGES OF ANY KIND ARISING OUT OF THE PURCHASE OR USE OF THIS PRODUCT, WHETHER BASED UPON CONTRACT, TORT, STATUTE OR OTHERWISE. Some states do not allow the exclusion or limitation of incidental or consequential damages, so the above limitation or exclusion may not apply to you. This warranty gives you specific legal rights, and you may also have other rights which vary from State to State.

SERVICE AND WARRANTY CONT.

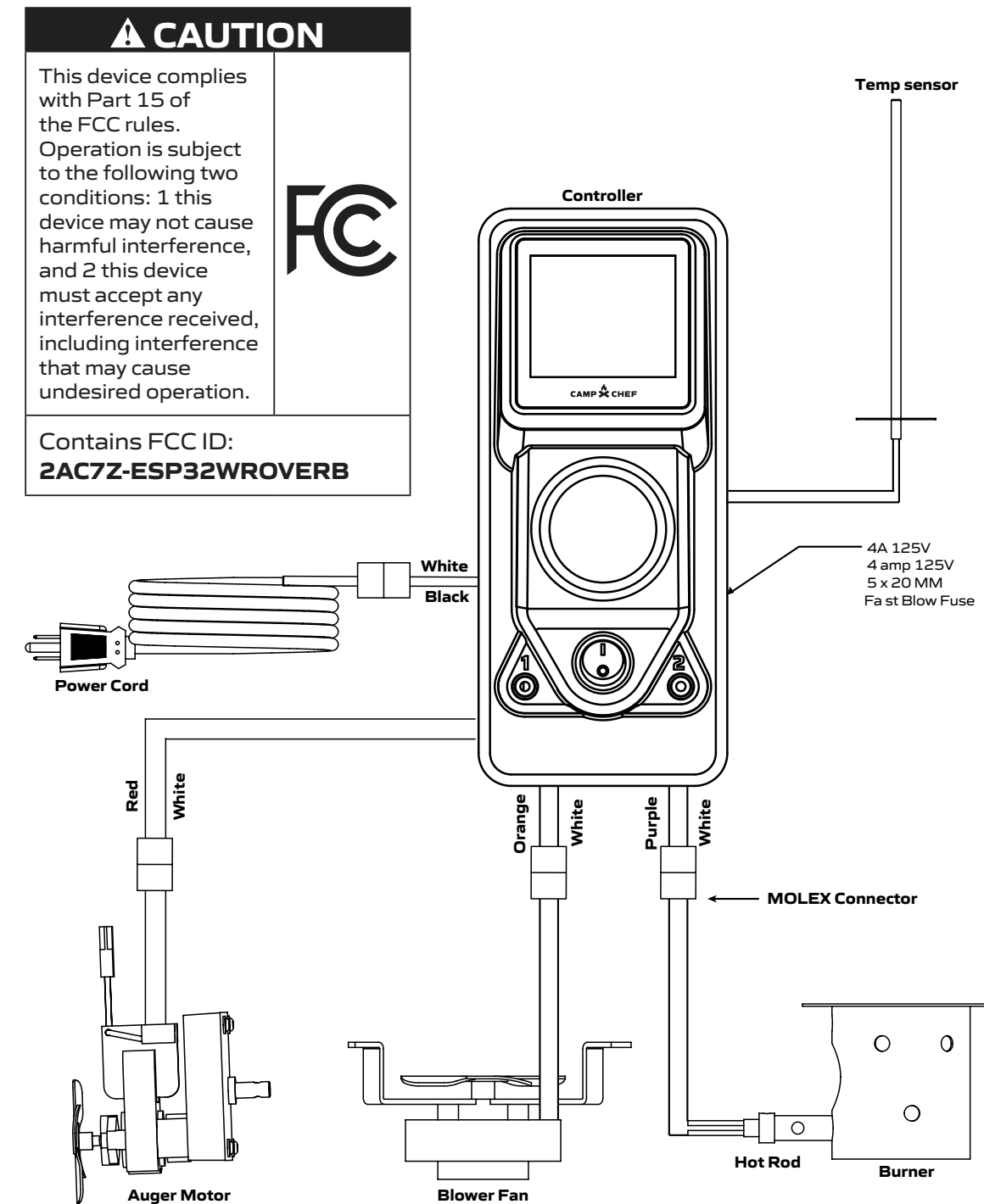
Because Camp Chef cannot control the quality of products sold by unauthorized sellers, this limited warranty applies only to Products that were purchased from Camp Chef or a Camp Chef authorized seller in the United States, unless otherwise prohibited by law. Camp Chef reserves the right to reject warranty claims from purchasers for Products purchased from unauthorized sellers, including unauthorized Internet sites. Please keep all original sales receipts from the authorized dealer. Proof of purchase is required to obtain warranty services. Any parts or products returned without written authorization will be discarded without notice.

To obtain warranty services submit a warranty request at www.campchef.com/customer-service/product-warranty or call (800) 650-2433. Our English speaking Product Specialists are happy to help.

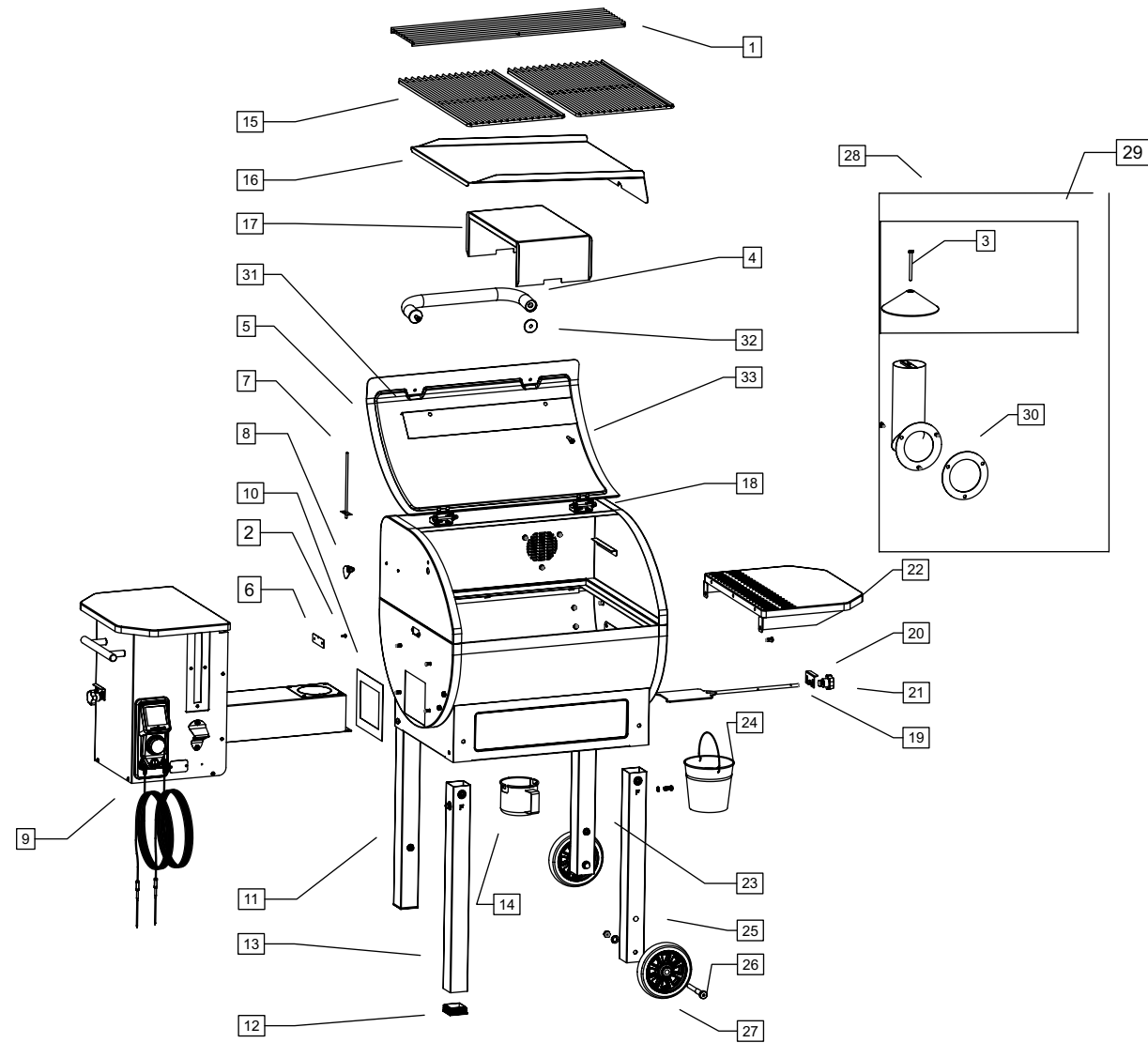
Warranty applies to the United States and Canada.

If you have other products/category questions check out our Frequently Asked Questions page.

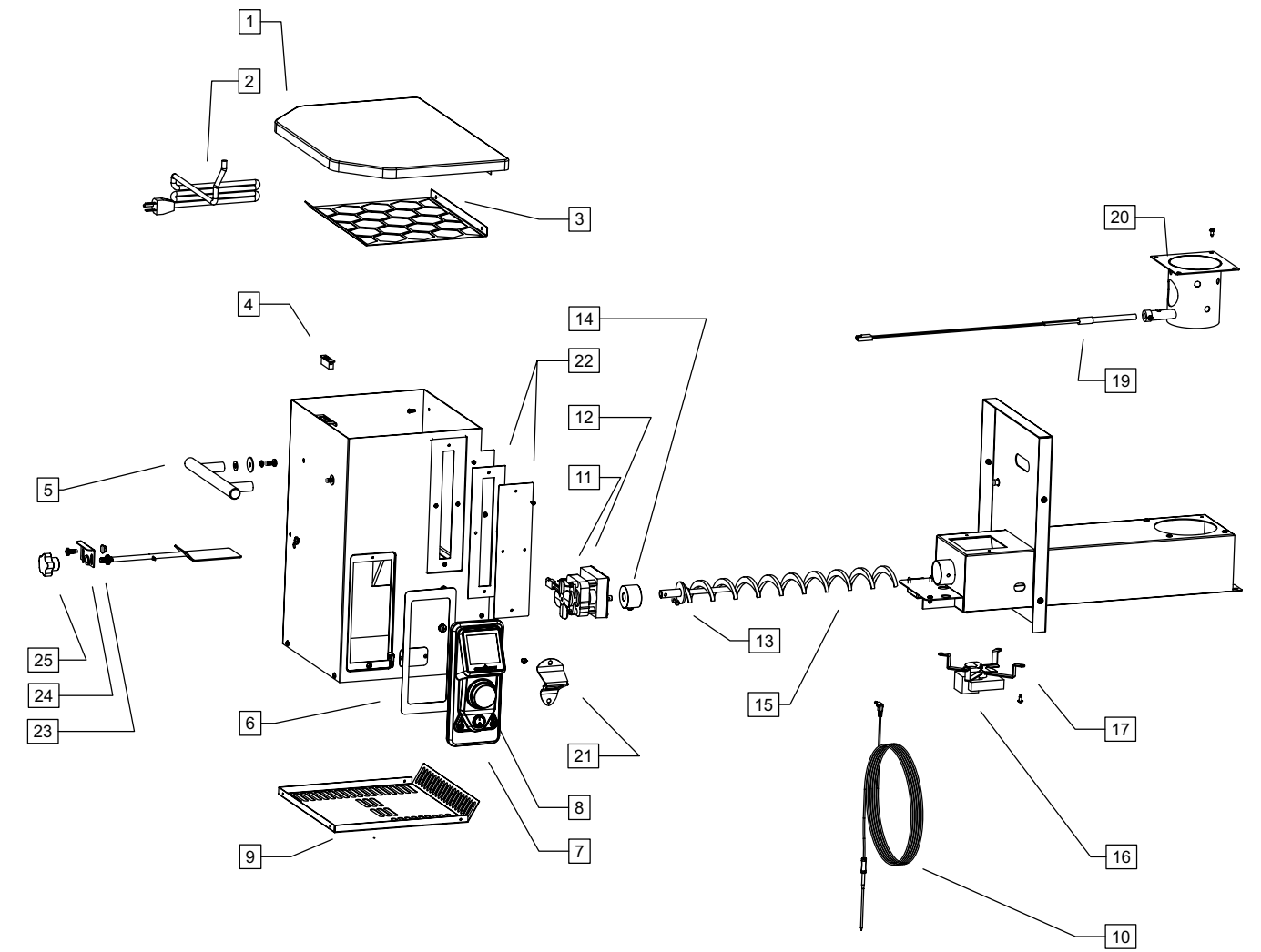
CONTROLLER WIRING DIAGRAM



REPLACEMENT PARTS MODEL PG24C



HOPPER REPLACEMENT PARTS



Item	Part Number	Description	Qty
1	PG24-1	UPPER GRATE	1
2	PG24-72	HARDWARE KIT	1
3	PG24-73	CHIMNEY HARDWARE KIT	1
4	PG24-57	HANDLE	1
5	PG24-39	GRILL LID	1
6	PG36SGX0-1	COVER PLATE	1
7	PG24-44	THERMOMETER	1
8	PG24-54	PROBE COVER	1
9	PG24-83	HOPPER ASSEMBLY	1
	PG24-83WF	HOPPER ASSEMBLY	0
10	PG24-34	FEED GASKET	1
11	PG24-68	BACK LEFT LEG	1
12	PG24-69	LEG CAP	2
13	PG24-67	FRONT LEFT LEG	1
14	PG24-17	ASH CUP	1
15	PG24-70	COOKING GRATE	2
16	PG24-3	DRIP TRAY	1

Item	Part Number	Description	Qty
17	PG24-4	HEAT DEFLECTOR	1
18	PG24LS-8	HINGE ASSEMBLY	2
19	PG24-41	BURNER PULLOUT	1
20	PG24-42	PULLOUT LOCK	1
21	PG24-9	KNOB	1
22	PG24-8	SHELF	1
23	PG36-18	BACK RIGHT LEG	1
24	PG24-11	GREASE BUCKET	1
25	PG36-19	FRONT RIGHT LEG	1
26	PG24-66	M10 WHEEL AXLE	2
27	PG24-16	WHEEL	2
28	PG24-84	CHIMNEY	1
29	PG24-5	CHIMNEY CAP ASSEMBLY	1
30	PG24-85	CHIMNEY GASKET	1
31	PG24-58	HANDLE DEFLECTOR	1
32	PG24-71	HANDLE BEZEL	2
33	PG24-59	HANDLE M6 BOLT	2

Item	Part Number	Description	Qty
1	PG24-60	HOPPER LID BLACK	1
2	PG24-48	POWER CORD	1
3	PG24-53	AUGER GUARD	1
4	PGC24-18	LID MAGNET	1
5	PGC24-12	HOPPER HANDLE	1
6	PG24-45	CONTROLLER GASKET	1
7	PG24SGC-5	GEN 3 CONTROLLER	1
8	PG24SGC-3	CONTROLLER KNOB	1
9	PG24-51	GUARD PLATE	1
10	PG24-89B	MEAT PROBE BLACK	1
	PG24-89R	MEAT PROBE RED	1
11	PG24-49	AUGER IMPELLER	1
12	PG24-24	AUGER MOTOR	1

Item	Part Number	Description	Qty
13	PG24-25	SHEAR PIN WITH NUT	1
14	PG24-23	AUGER BUSHING	1
15	PG24-22	AUGER	1
16	PG24-26	FAN	1
17	PG24-27	FAN IMPELLER	1
19	PG24-21	HOT ROD	1
20	PG24-78	BURN CUP	1
21	BTOP-1	BOTTLE OPENER	1
22	PGC24-14	HOPPER WINDOW ASSEMBLY	1
23	PGC24-13	HOPPER CLEAN-OUT	1
24	PG24-42	PULLOUT LOCK	1
25	PG24-9	KNOB	1



www.CampChef.com | 1.800.650.2433 • Camp Chef is a registered trademark of Logan Outdoor Products ©2023
• Patent Pending • 301 Camp Chef Way, Hyde Park, UT 84318, USA • 0723_PG24C_Booklet_EN