

**PELLET GRILL AND SMOKER  
WARNING & INSTRUCTION BOOKLET  
MODEL NUMBER: PG36ZD-2**

**⚠ WARNING**

**FOR OUTDOOR USE ONLY**

**⚠ WARNING**

If the information in this manual is not followed exactly, a fire or explosion may result causing property damage, personal injury or loss of life.

**⚠ WARNING**

- To installer or person assembling this appliance: Leave this manual with this appliance for future reference.
  - To consumer: Keep this manual with this appliance for future reference.
- This instruction manual contains important information necessary for the proper assembly and safe use of this product. Read and follow all warnings and instructions before assembling and using this appliance. Do not discard this instruction manual.

**⚠ CAUTION**

Use Only Wood Pellet Fuel Specified By The Manufacturer. Do Not Use Pellet Fuel Labeled As Having Additives. Only use Camp Chef Premium Pellets with the following specifications. 8,000-8,300 BTU/LB 0.75-0.85% Ash content

**⚠ CAUTION**

Contact local building or fire officials about restrictions and installation inspection requirements in your area. **A MAJOR CAUSE OF FIRES IS FAILURE TO MAINTAIN REQUIRED CLEARANCES (AIR SPACES) TO COMBUSTIBLE MATERIALS. IT IS OF UTMOST IMPORTANCE THAT THIS PRODUCT BE INSTALLED ONLY IN ACCORDANCE WITH THESE INSTRUCTIONS.**

**⚠ DANGER**

1. Never operate this appliance unattended.
2. Never operate this appliance within 10 ft (3 m) of a stored LP cylinder
3. Never operate this appliance within 25 ft (7.5 m) of any flammable liquid.
4. If a fire should occur, keep away from appliance and immediately call your fire department. Do not attempt to extinguish an oil or grease fire with water.

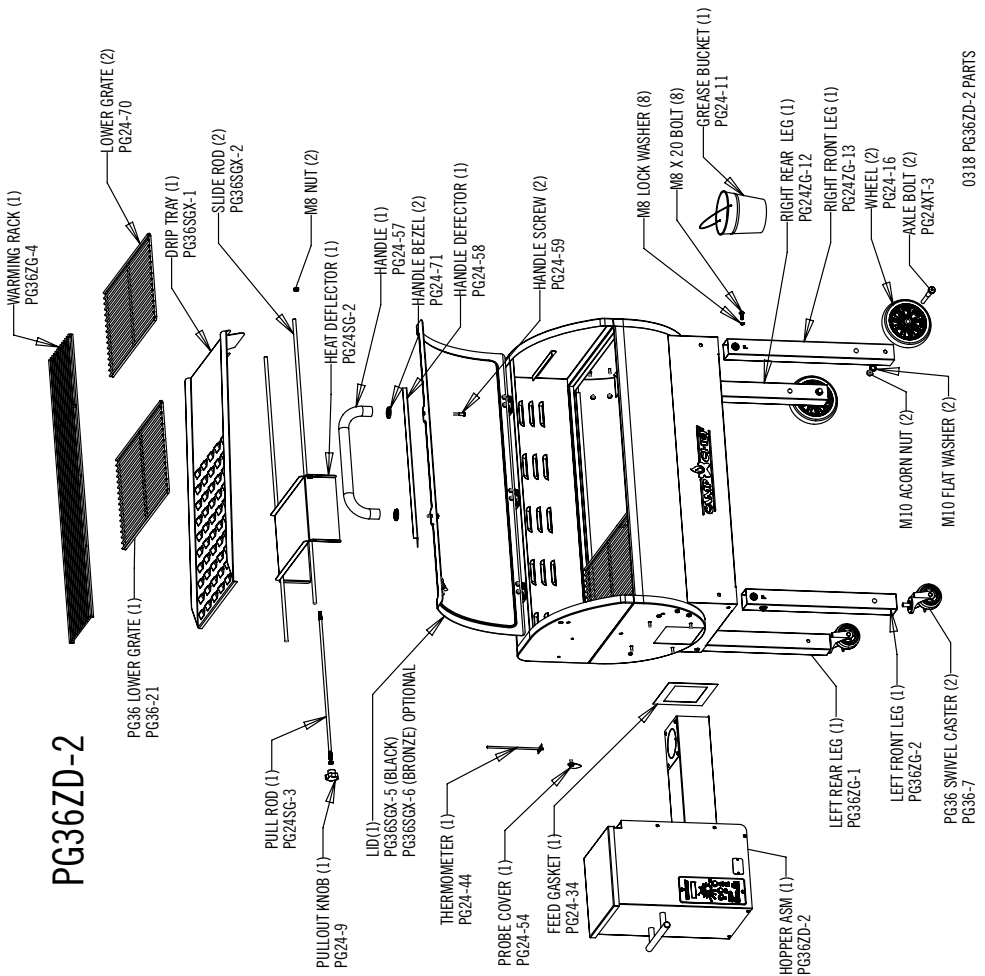
**Failure to follow these instructions could result in fire, explosion or burn hazard, which could cause property damage, personal injury or death.**

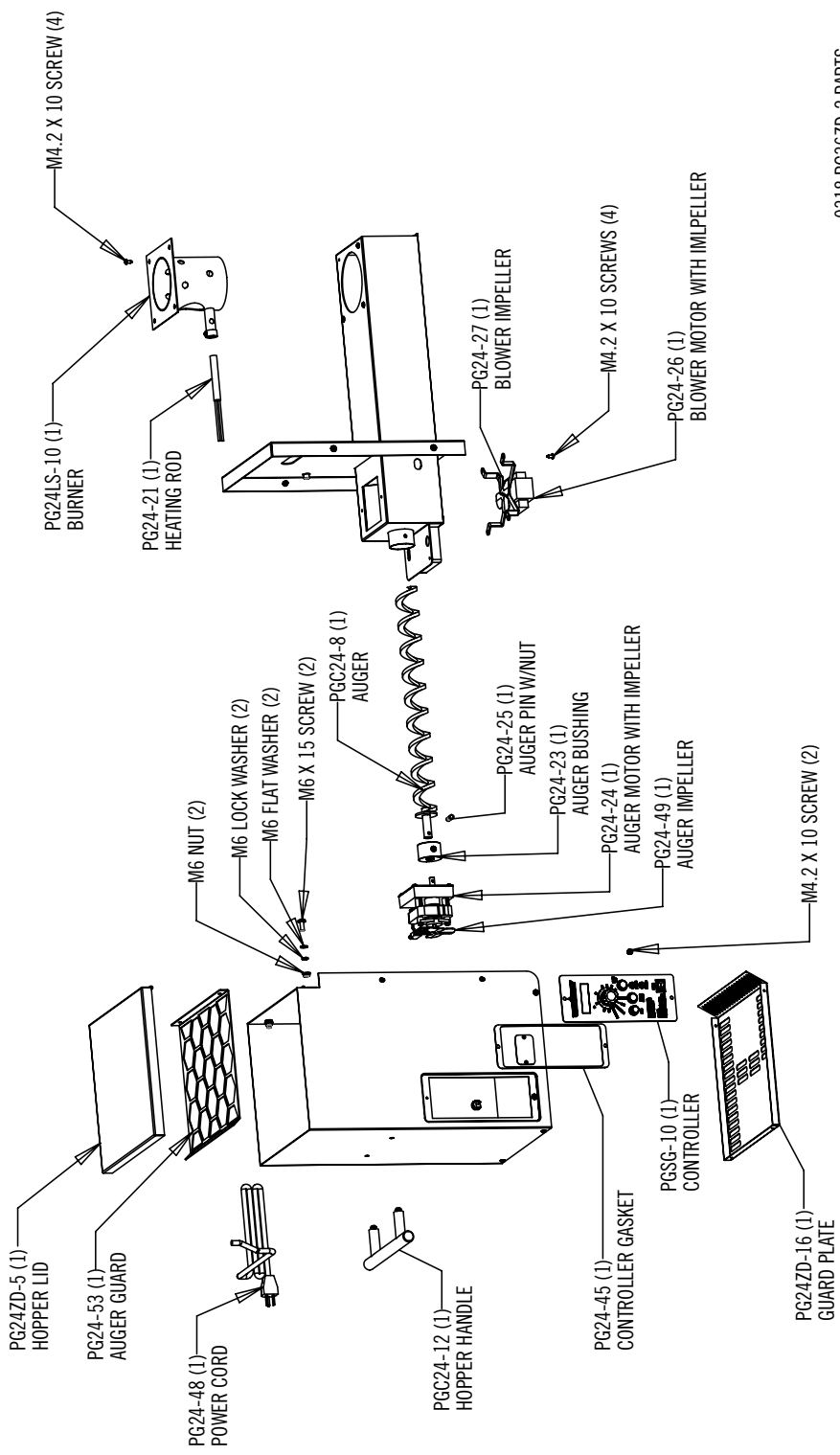
**⚠ CAUTION**

Always store wood pellets away from heat producing appliances and other food containers. Pellets should be stored in a dry environment.

## ▲ CARBON MONOXIDE WARNING

Follow these guidelines to prevent this colorless, odorless gas from poisoning you, your family or others. Know the symptoms of carbon monoxide poisoning: headache, dizziness, weakness, nausea, vomiting, sleepiness, and confusion. Carbon monoxide reduces the blood's ability to carry oxygen. Low blood oxygen levels can result in loss of consciousness and death. See a doctor if you or others develop cold or flu-like symptoms while cooking or in the vicinity of this appliance. Carbon monoxide poisoning, which can easily be mistaken for a cold or flu, is often detected too late. Alcohol consumption and drug use increase the effects of carbon monoxide poisoning. Carbon monoxide is especially toxic to mother and child during pregnancy, infants, the elderly, smokers and people with blood or circulatory system problems, such as anemia, or heart disease.





1. Do NOT leave this appliance unattended while in use. The user must remain in the immediate area of the product and have a clear view of the product at all times during operation.
2. Keep children and pets away from burner at all times.
3. The use of alcohol, prescription or non-prescription drugs may impair your ability to properly assemble or safely operate this appliance.
4. For OUTDOOR use only. Do NOT use in a building, garage or any other enclosed area. Do NOT use in or on recreational vehicles or boats. NEVER use this appliance as a heater.
5. Do not operate appliance under ANY overhead construction. Keep a minimum clearance of 36 inches (0.9 m) from the sides, front and back of appliance to ANY construction. Keep the area clear of all combustible material and flammable liquids, including wood, dry plants and grass, brush, paper, and canvas.
6. This product is not intended for commercial use.
7. Always allow the appliance to cool before covering with the patio cover.
8. Always cover the appliance, with patio cover (if supplied), when not in use.
9. Always unplug grill before installing patio cover.
10. Use only on a level, stable non-combustible surface like bricks, concrete or dirt. Do not use this appliance on any surface that will burn or melt like wood, asphalt, vinyl or plastic.
11. Make sure the grease bucket is in place before starting the grill.
12. In the event of a fire the dial should be turned to shutdown, close the lid, and leave it closed until the fire goes out. After allowing the grill to cool, follow the cleaning instructions before the next use.
13. Use only food grade hardwood pellets manufactured for use in pellet grills. Using softwood or heating pellets will void your warranty.
14. Do not allow the hopper to run out of pellets. Pellets can be added at any time. The hopper will hold approximately 18 pounds of pellets. The pellet usage will vary greatly depending on the ambient temperature as well as cooking temperature.
15. It is recommended that you not store pellets in the hopper for extended periods as they may absorb moisture from the air and clog the auger.
16. Keep the lid closed during cooking. The grill is designed to cook with the lid closed.
17. Note that the cooking temperature displayed on the digital readout is measured near the cooking surface on the left side of the grill. The actual temperature inside the cooking chamber will vary slightly throughout.
18. Do not use accessories not specified for use with appliance.
19. Never use gasoline, gasoline-type lantern fuel, kerosene, charcoal lighter fluid, or similar liquids to start or freshen up a fire in this appliance. Keep all such liquids well away from the appliance when in use.
20. Ashes should be placed in a metal container with a tight fitting lid. The closed container of ashes should be placed on a non combustible floor or on the ground, well away from all combustible materials, pending final disposal. When the ashes are disposed by burial in soil or otherwise locally dispersed they should be retained in the closed container until all cinders have thoroughly cooled.
21. Creosote – Formation and need for removal. When wood pellets are burned slowly, they produce tar and other organic vapors that combine with expelled moisture to form creosote. The creosote vapors condense in a relatively cool oven flue and exhaust hood of a slow burning fire. As a result, creosote residue accumulates on the flue lining and exhaust hood. When ignited, this creosote makes an extremely hot fire. The grease duct should be inspected at least twice a year to determine when grease and/or creosote build-up has occurred. When grease or creosote has accumulated, it should be removed to reduce risk of fire.

 **DANGER**

Do not work on this grill if it is plugged in. Electric shock may occur resulting in death or serious injury.

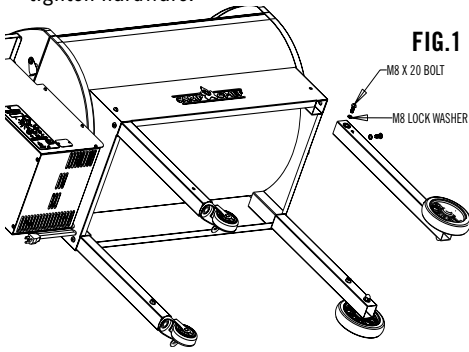
## ASSEMBLY INSTRUCTIONS

Remove all loose parts from the inside of the grill and hopper. Lay a blanket or piece of cardboard down to protect the grill.

### ATTACH THE LEGS

With the help of another person flip the grill upside down on the blanket or cardboard. The grill lid and hopper lid will swing open when doing this so be careful not to damage the lids. The grill may also want to roll on its lid so one person should hold the grill steady while the other person assembles the bottom legs and wheels.

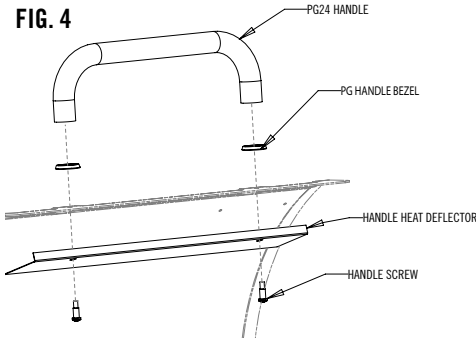
1. Assemble the legs as shown in Fig. 1. Finger tighten hardware.



2. Assemble wheels to the legs.
3. With the help of another person, stand the grill upright. Be careful as the lid on the hopper and grill will close as the grill is stood upright.
4. Tighten all hardware assembled in the previous steps.

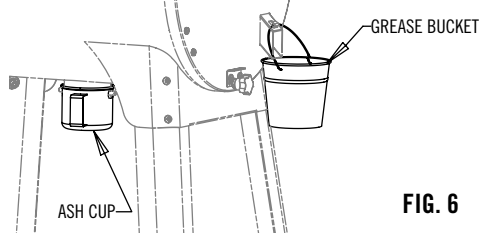
### INSTALL HANDLE

1. Install the handle as shown in Fig. 4.
2. Tighten all hardware.



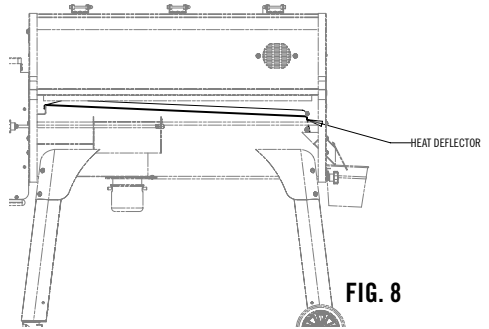
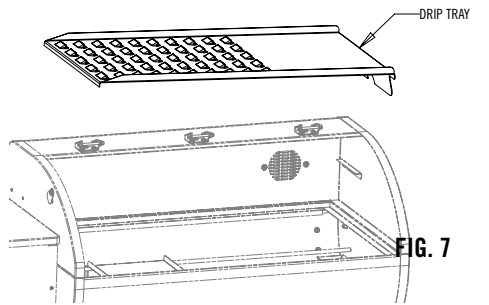
### GREASE BUCKET

1. Hang grease bucket from tube as shown in Fig. 6.



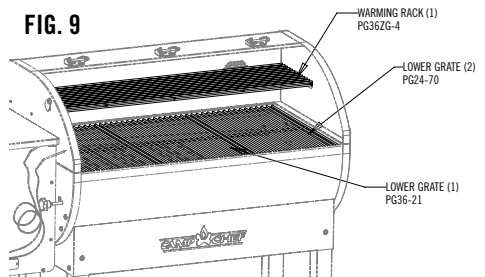
### INSTALL DRIP TRAY

1. Install the Drip Tray as shown in Fig. 7 and Fig. 8.



### WARMING RACK AND COOKING GRATE

1. Install the Warming Rack and Cooking Grate as shown in Fig. 9.



## FILLING THE AUGER TUBE

### CAUTION: ONLY USE THE FEED SETTING WHEN HOPPER HAS RUN OUT OF PELLETS. FEED SETTING IS NOT FOR NORMAL USE.

The first time you use your grill or any time the hopper has ran out of pellets you will need to fill the auger tube. This simply means you must fill the auger tube with pellets until pellets reach the burner. This is done by turning the dial to the FEED position and then holding in the bypass button for 3 seconds. This will turn the auger on and the digital readout will display "FEED". The auger will remain on for no more than 7 minutes. This is ample time for the pellets to reach the burner. It is easiest to open the burner clean-out by pulling the knob on the right side of the grill. Once you hear pellets dropping into the cup you can close the clean-out port by pushing the knob on the right side of the grill and then select your cooking temperature. (Never operate grill without the ash cup in place). Always make sure the burner clean-out port is closed by pushing in the knob on the right side of the grill before selecting any of the cook settings. Never open the burner clean-out port when the grill is hot.

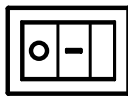
## CONTROLLER EXPLANATION

### POWER SWITCH

Used to turn the main power onto the pellet grill. If the dial is on Shutdown when the power switch is turned on the digital readout will display "---". The dial must be rotated to any of the other positions before the grill will start. If the power is turned on with the dial in any other position than Shutdown the grill will immediately start that function. "0" is Off. "-" is On. See Fig. 12

Fig. 12

### POWER



## DIAL POSITIONS

### SHUTDOWN

This setting must be used after each use. Turn the dial to this setting and the fan will remain on for 10 minutes before turning off. This setting will

burn up any extra pellets in the burner and cool down the grill. Do not turn the main power switch off when the grill is hot.

**FEED** - This setting is used to feed pellets to the burner. It will be used the first time you use the grill to fill the auger tube and any time you may inadvertently run the hopper out of pellets. See instructions on filling the auger tube.

**LOW SMOKE** - This setting is used for smoking foods at an average temperature of 160F. This setting will produce large amounts of smoke.

**HIGH SMOKE** - This setting is used for smoking foods at an average temperature of 220F. This setting will produce large amounts of smoke.

**175F TO 400F** - There are 25F increment settings from 175F to 400F. You can simply select any temperature you want and the grill will control the temperature within 15F of the selected temperature.

**HIGH** - This setting can be used to achieve temperatures up to 500F depending on ambient temperatures.

## DISPLAY

"START" - The digital readout will display "START" each time the dial is changed from the OFF, SHUTDOWN, or FEED settings to any of the cook settings. The startup cycle is approximately 8 minutes. During the cook cycle after the start sequence the digital readout will display the temperature inside of the grill. If the Probe Temp button has been pressed then it will display the temperature of the external probe used for measuring meat temperatures.

"SDOWN" - The digital readout will display "SDOWN" when the dial is turned to the shutdown mode. After 10 minutes the digital readout and the fan will turn off.

"SENSR" - The digital readout will display "SENSR" if there is an error with the temperature sensor inside of the grill.

"PRERR" - The digital readout will display "PRERR" when the Probe Temp button is pressed if either the external probe is not plugged in or there is a problem with the probe.

"FEED" - The digital readout will display "FEED" if dial is turned to the feed mode. After 7 minutes the auger will turn off.

"BPASS" - The digital readout will display "BPASS" when the bypass button is pressed and held in for 3 seconds. See the setting on Bypass Mode.

“FLAME” - The digital readout will display “FLAME” if the fire is extinguished.

### BREAKING IN THE GRILL

We suggest turning the grill to 350F for ½ hour before cooking on the grill for the first time. This will burn off any manufacturing oils and cure the paint. Make sure to follow the instructions for filling the auger tube before breaking in the grill.

#### **⚠ WARNING**

Always start the grill with the lid open. The lid must be closed after the start cycle.

### COOKING

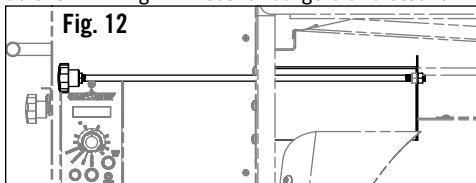
Once the auger tube has been properly filled you can begin cooking by selecting any of the cooking temperatures. The grill has 13 cook settings. Low Smoke, High Smoke, 175, 200, 225, 250, 275, 300, 325, 350, 375, 400, and High. By selecting any of these the grill will go into the Startup mode. The digital readout will display “START” for 8 minutes during the startup cycle. After the 8 minutes the digital readout will display the internal temperature of the grill. The dial can be changed at any time during the startup cycle or the cook cycle between any of the 13 cook settings.

#### **⚠ WARNING**

Do not over-fire the grill by over feeding pellets into the burner prior to startup. If flame is inadvertently extinguished never restart the grill without first cleaning out the burner. Improper use can cause an uncontrolled fire.

### DIRECT FLAME MODE

Pull grill knob out all the way to allow direct heat as shown in Fig 12. Best for burgers and steaks.



### INDIRECT FLAME MODE

Push grill knob in all the way for indirect heat as shown in Fig 13. Best for chicken, slow smoking and low temps.

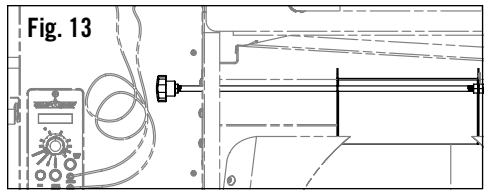


Fig. 13

#### **⚠ WARNING**

Always clean grease tray to remove excess grease drippings prior to cooking in Direct Flame Mode. A dirty grease tray may result in excessive flare ups or grease fire. If grease fire does occur, turn off grill using the main power switch and close the lid. Leave the lid closed until fire is extinguished. If an uncontrollable fire does occur, immediately call local fire department. Never put water on the fire.

### SHUTDOWN

When you are done cooking the dial must be turned to the Shutdown setting. The digital readout will display “SDOWN”. In this setting the fan will remain on for 10 minutes to finish burning any pellets in the burner and cool the grill down. After 10 minutes the digital display and auger will turn off. At this point the main power switch should be switched to off. Before grill can be used, the power switch must be turned off and back on.

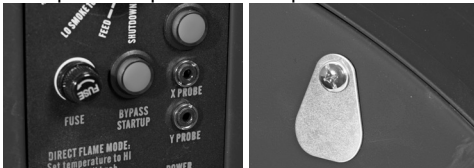
### BYPASS MODE

The bypass may be used if there is a power failure, or the grill is accidentally turned off, or anytime you need to restart the grill and it is still hot. The bypass mode should only be used if the grill has been off less than 3-4 minutes. This method is used to bypass the normal startup mode and get the grill cooking again quickly. The burner must still be hot enough to ignite new pellets or this method will not work. In order to initiate the bypass mode you must first select the cook setting you want. At this point the digital readout will display “START”. Simply press the bypass button in and hold it for 3 seconds. The digital readout will display “BPASS”. Release the button and the grill will go into the cook mode and the digital readout will display the grill temperature. If the grill fails to ignite using the bypass mode then restart the grill using the normal startup procedures.



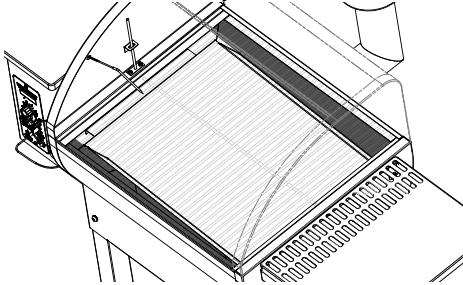
## MEAT PROBES

This smoker has built in meat probes to measure the temperature of the food as it is being cooked. To use these probes insert the wire through the stainless flaps on the side of the firebox. Insert the probes into the food. Plug the connectors into the receptacles on the front of the control panel. When you press the probe temp button on the front of the controller the digital readout will display the food temperature. Press the button a second time to toggle the display to the other probe. Press the button a third time to toggle back to the cooking temperature. If the probes are not installed correctly or there is an error with the probes the digital readout will display "PRERR" when the probe temp button is pressed. When running the probe wires to the food make sure it is positioned out of direct contact with any open flame or damage may occur. The digital readout will display a "X" in front of the number when displaying the "X" meat probe temperature and a "Y" for the "Y" meat probe temperature. Example: "X155F"



### CAUTION

Do not use meat probe when grill temperature exceeds 350°F. Damage to the probe may occur. Do not allow meat probe wire to lie in the direct heat zones (as shown by shaded areas).



Direct heat will damage the meat probe wire. Always route the meat probe through port on the side of the grill. Do not submerge wire in water. Not dishwasher safe.

## CLEANING

Clean grates using a wire grill brush. This should be done with each use. DO NOT use oven cleaner or abrasive cleaners on the painted grill surfaces. Use warm soapy water on all painted surfaces. Clean grease pan, grease trough, and grease drain tube occasionally. A spatula can be used to scrape excess grease and a grill brush to brush clean. Do not allow grease to build up on the grease tray or in the grease trough as this can cause flare-ups inside the grill. Make sure not to obstruct the flow of grease off of the tray and into the grease trough. Make sure not to block the airflow to the temperature sensor on the left side of the grill.

## TROUBLESHOOTING

### GRILL DOES NOT TURN ON.

Grill fails to turn on after switching the power button to the on position.

1. Make sure the grill is plugged into a powered outlet. Check the circuit breaker and/or GFCI switch. Test the outlet using another appliance.
2. Unplug the grill and check the fuse located in the front panel. If the fuse is blown replace only with 4.0 Amp 125V 5x20mm Fast Blow Fuse. Typical fuse marking will be 4A125V, F4A125V, 4A250V, or F4A250V. Make sure to confirm they are a Fast Blow Fuse. Actual fuse dimensions are 5.2x20mm.

If problem cannot be resolved please call customer service.

### GRILL DOES NOT HEAT UP OR DIGITAL READOUT DISPLAYS FLAME

1. Turn Power Off
2. Check hopper for pellets
3. Check firebox to see if there are pellets in the firebox by removing the rack and heat deflectors. Use a vacuum to clean-out any pellets that may be in the bottom of the grill.
  - A. Try restarting the grill. If restarting the grill does not work and pellets are getting to the burner cup the heating rod may need to be replaced.
  - B. If there are few or no pellets in the burner then turn the dial to the feed position and see if pellets fall into the burner. If there are no pellets check to see if the auger is turning. If the auger motor is turning but the auger is not there may

be a sheared auger pin. You can determine if the auger motor is turning by watching the small white fan at the end of the auger motor under the hopper. If the white fan is turning the auger motor is on. If the white fan is turning and the auger is not you will need to replace the auger pin. If problem cannot be resolved please call customer service

### DIGITAL READOUT DISPLAYS SENSR

1. Turn the power off and unplug the grill.
2. Check to make sure the sensor inside of the grill is connected properly to the electronic board under the hopper.
3. Call customer service for a replacement sensor.

### DIGITAL READOUT DISPLAYS PRERR

1. Press the Probe Temp button - Pressing the Probe Temp button will toggle the digital readout between the actual temperature inside of the grill and the temperature measured using the meat thermometer.
2. Make sure the meat thermometer is connected properly to the front of the grill. If the Probe Temp button is pressed to display the Probe Temp without the meat thermometer properly connected to the front of the grill it will display PRERR.
3. Call customer service for a replacement meat thermometer.

### DIGITAL READOUT DISPLAYS “-----”

1. Rotate the dial from Shutdown to feed or any other cook setting.

## LIMITED WARRANTY

### Camp Chef No-Hassle Warranty

Here at Camp Chef we stand by our products and take pride in our customer service. Because of this, your new Camp Chef product comes with a No-Hassle Warranty. What does that mean? It means that if we did something wrong, we will make it right. We guarantee our products to be free from defect in all materials and workmanship (excluding paint and finish). We will replace defective parts so you can get back to enjoying your product as soon as possible.

### Required Maintenance:

Clean your product after each use to maintain its finish and prolong its lifespan. Wipe away all grease and ashes. Keep metal products free of moisture, salts, acids and harsh fluctuations in temperature. Unfortunately, product paint and other finishes are not covered by this warranty. The exterior finish of the product will wear down over time.

### Coverage Details:

Warranty does not cover normal wear of parts or damage caused by misuse, abuse, overheating and alteration. No alterations are covered in this warranty. Camp Chef is not responsible for any loss due to neglectful operation. Furthermore, this warranty does not cover items purchased from a 3rd party company, unauthorized dealers, or damages caused by natural disasters such as earthquakes, hurricanes, tornadoes, floods, lightning, fires, etc.

Upon the expiration of this warranty, all such liability will terminate. No other warranties are expressed or implied.

Please keep all original sales receipts from the authorized dealer. Proof of purchase is required to obtain warranty services. Any parts or products returned without written authorization will be discarded without notice.

To obtain warranty services submit a warranty request at <http://www.campchef.com/warranty-information>, email [warranty@campchef.com](mailto:warranty@campchef.com), or call 1.800.650.2433. Our Product Specialists are happy to help.

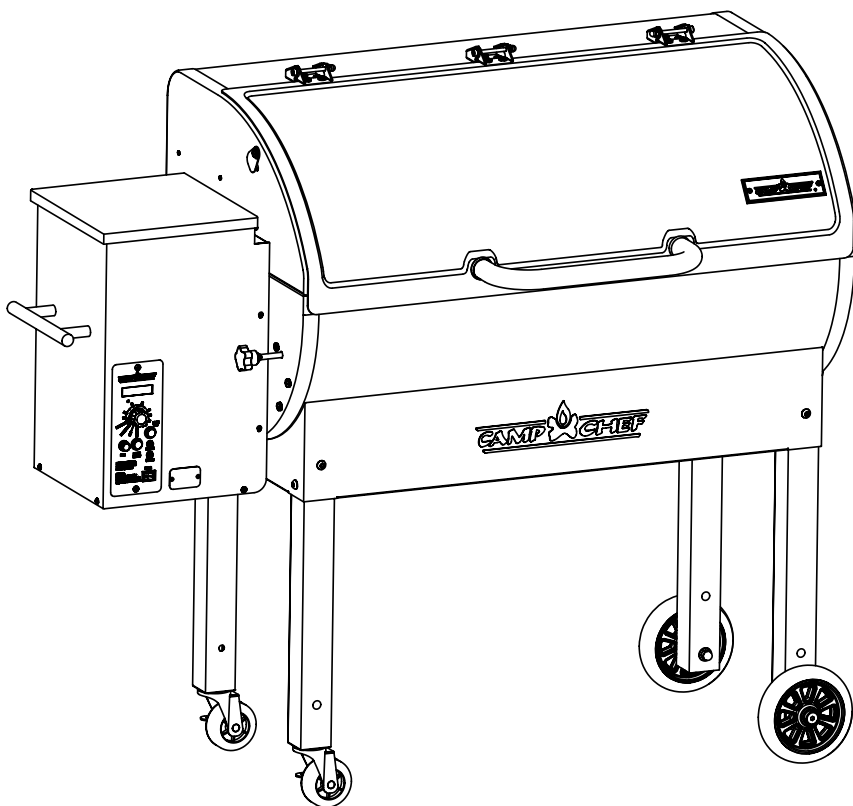
Warranty applies to the contiguous U.S. states only.

## WARRANTY COVERAGE PERIODS

Pellet Grills & Stoves	1 year from purchase date
Fire Pits	1 year from purchase date
Water Heaters	1 year from purchase date
Movie Screens	1 year from purchase date
All other items & accessories	90 days from purchase date

Extended warranty available on select models





**BARBECUE À GRANULES**  
**AVERTISSEMENT & INSTRUCTION BROCHURE**  
**NUMÉRO DE MODÈLE: PG36ZD-2**

**⚠ AVERTISSEMENT**

**DESTINÉ À UN USAGE EN  
PLEIN AIR UNIQUEMENT**

**⚠ AVERTISSEMENT**

Le non-respect de ces consignes peut entraîner des dommages matériels, des blessures corporelles ou la mort pouvant résulter d'un incendie, d'une explosion ou d'un danger de brûlure.

**⚠ AVERTISSEMENT**

- À l'attention de l'installateur ou de la personne chargée d'assembler cet appareil : conserver la présente notice d'utilisation avec l'appareil pour un usage ultérieur.
- À l'attention du consommateur : conserver la présente notice pour un usage ultérieur.

La présente notice d'utilisation contient des informations importantes nécessaires au montage correct et à l'utilisation sécuritaire de ce produit. **NE PAS JETER LA PRÉSENTE NOTICE D'UTILISATION.**

**⚠ CAUTION**

Utiliser uniquement les granules de bois indiqués par le fabricant. Ne pas utiliser de granules de bois dont les spécifications indiquent la présence d'additifs. Utiliser uniquement des granules de bois Camp Chef de première qualité répondant aux spécifications suivantes : 8 000 à 8 300 BTU/LB Taux de cendre de 0,75 à 0,85 %

**⚠ AVERTISSEMENT**

1. Ne jamais faire fonctionner cet appareil sans surveillance.
2. N'utilisez jamais cet appareil à moins de 10 pi (3 m) d'une bouteille de GPL conservée.
3. Ne jamais utiliser le présent appareil à moins de 7,5 m (25 pi) de tout liquide inflammable.
4. En cas d'incendie, rester à bonne distance de l'appareil et appeler immédiatement le service des incendies. Ne pas essayer d'éteindre un feu d'huile ou de friture avec de l'eau.

Le non-respect de ces consignes peut entraîner des dommages matériels, des blessures corporelles ou la mort pouvant résulter d'un incendie, d'une explosion ou d'un danger de brûlure.

**⚠ CAUTION**

Contactez les autorités locales du bâtiment ou de la protection incendie pour connaître les restrictions et les exigences d'inspection en vigueur dans votre région. **LE NON-RESPECT DES DÉGAGEMENTS (ESPACES VIDES) REQUIS POUR LES MATÉRIAUX COMBUSTIBLES CONSTITUE UNE DES PRINCIPALES CAUSES D'INCENDIES. IL EST DONC PRIMORDIAL D'INSTALLER CE PRODUIT CONFORMÉMENT À LA PRÉSENTE NOTICE.**

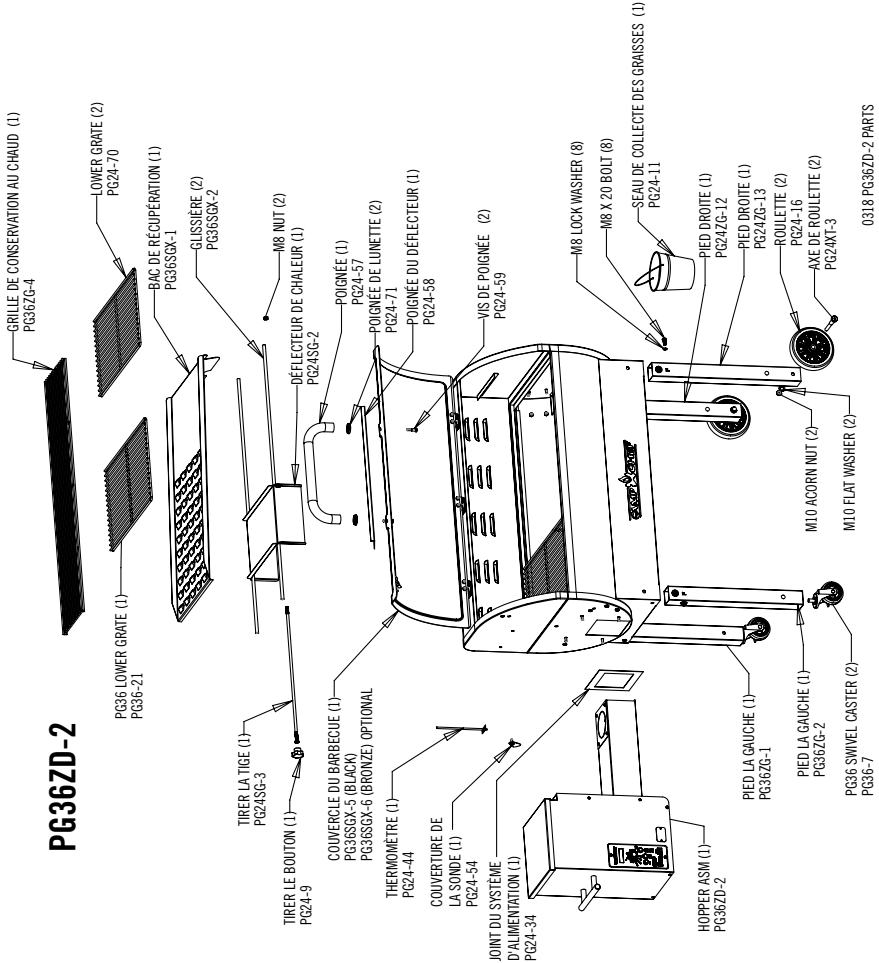
**⚠ AVERTISSEMENT**

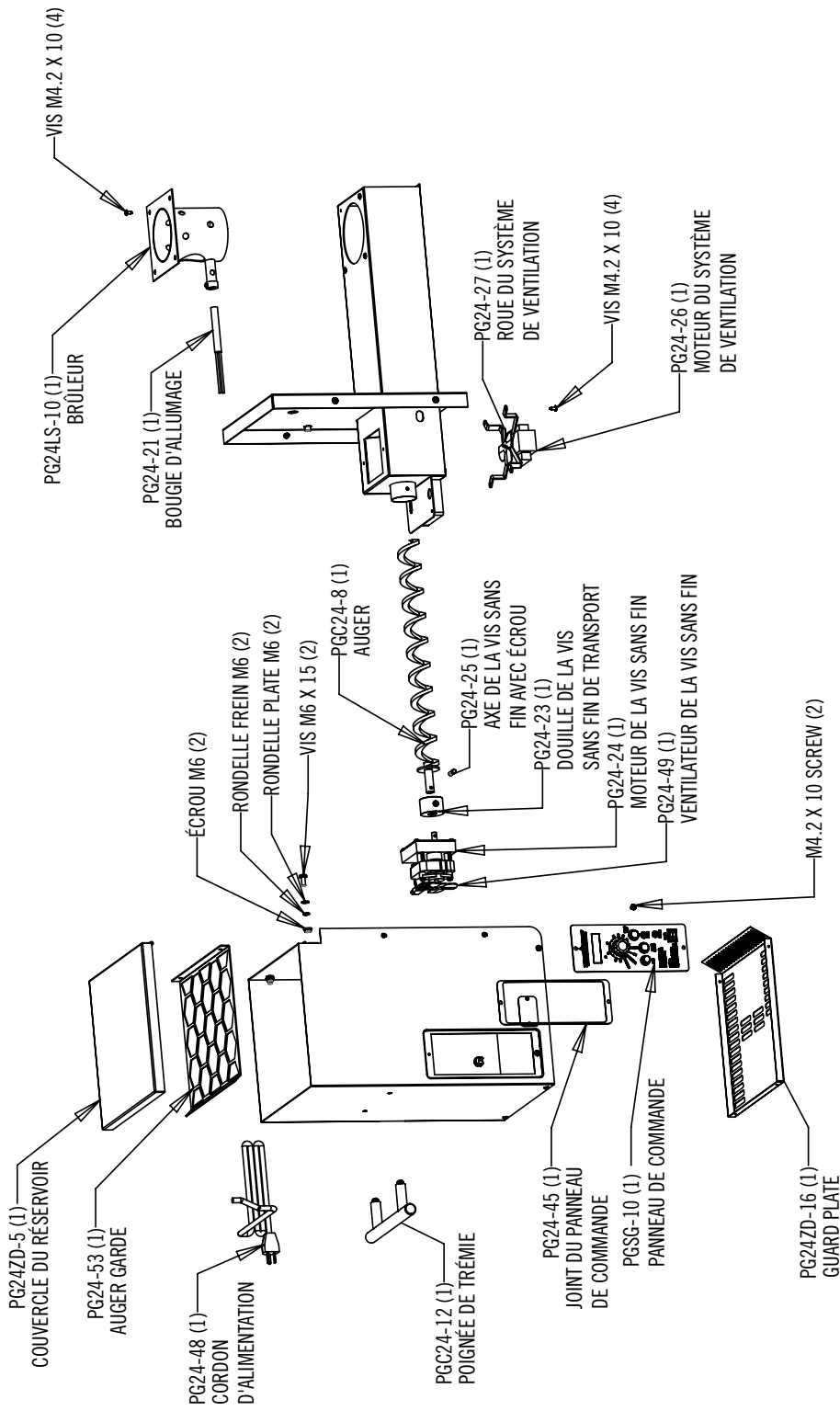
Entreposer en permanence les granules de bois à l'abri des appareils produisant de la chaleur et d'autres récipients alimentaires. Les granules doivent être entreposés dans un endroit sec.

## AVERTISSEMENT CONCERNANT LE MONOXYDE DE CARBONE

Avertissement concernant le monoxyde de carbone Respecter les présentes directives pour éviter de vous faire intoxiquer et d'intoxiquer vos proches par ce gaz incolore et inodore. Vous devez connaître les symptômes d'une intoxication au monoxyde de carbone : il s'agit de maux de tête, de vertiges, de faiblesses, de nausées, de vomissements, de somnolence et de confusion. Le monoxyde de carbone réduit la capacité sanguine pour transporter l'oxygène. Un faible taux d'oxygène dans le sang peut entraîner des pertes de connaissance, voire la mort. Consultez un médecin si vous ou autrui développez des symptômes du rhume ou s'apparentant à la grippe en cuisinant à proximité de cet appareil. Une intoxication au monoxyde de carbone, souvent confondue par erreur avec un rhume ou la grippe, est souvent détectée trop tard. La consommation d'alcool ou de drogues renforce les effets de l'intoxication au monoxyde de carbone.

Le monoxyde de carbone est particulièrement toxique pour les femmes enceintes et leur fœtus, les jeunes enfants, les personnes âgées, les fumeurs et les personnes souffrant de troubles sanguins ou circulatoires, comme l'anémie ou des maladies cardiaques.





1. NE PAS laisser l'appareil sans surveillance lorsqu'il fonctionne. L'utilisateur est tenu de rester à proximité du produit et de garder celui-ci dans son champ de vision direct pendant toute la durée de son fonctionnement.
2. Tenir les enfants et animaux domestiques à l'écart du brûleur en permanence.
3. La consommation d'alcool, ou de médicaments obtenus ou non sur ordonnance, risque de diminuer votre faculté de monter correctement l'appareil ou de l'utiliser en toute sécurité.
4. Destiné à un usage EN PLEIN AIR uniquement. NE PAS utiliser à l'intérieur d'un immeuble, d'un garage ou de tout autre endroit fermé. NE PAS utiliser dans un véhicule récréatif ou sur un bateau. NE JAMAIS utiliser cet appareil comme système de chauffage.
5. Ne faire fonctionner cet appareil sous AUCUNE surface surplombante. Conserver une distance minimale de 0.9 m (36 pi) entre les quatre côtés de l'appareil et TOUTE construction. N'entreposer aucuns matériaux combustibles et liquides inflammables, plantes et herbes sèches, buissons, papiers et toiles à proximité de l'appareil.
6. Cet appareil n'est pas destiné à un usage commercial.
7. Toujours laisser l'appareil refroidir avant de le recouvrir de sa housse d'extérieur.
8. Toujours recouvrir l'appareil de sa housse d'extérieur (lorsqu'elle est fournie) lorsque l'appareil ne sert pas.
9. Toujours débrancher le barbecue avant de le recouvrir de la housse d'extérieur.
10. Utiliser uniquement sur une surface stable et non combustible comme les briques, le béton ou la saleté. N'utilisez pas cet appareil sur une surface qui brûlera ou fondra comme du bois, de l'asphalte, du vinyle ou du plastique.
11. S'assurer que le seau de collecte des graisses est monté avant d'allumer le barbecue.
12. En cas d'incendie, placer le bouton de commande sur la position SHUTDOWN, fermer le couvercle et le laisser fermé jusqu'à extinction du feu. Lorsque le barbecue aura refroidi, suivre les consignes de nettoyage avant la prochaine utilisation.
13. Utiliser uniquement des granules de feuillu à usage alimentaire qui sont fabriqués pour être utilisés dans des barbecues à granules. L'utilisation de granules de conifères ou de bois de chauffage annulera votre garantie.
14. Ne pas laisser le réservoir à granules se vider complètement de granules. Les granules peuvent être ajoutés à tout moment. Le réservoir peut contenir environ 6,8 kg de granules. La consommation de granules variera considérablement en fonction de la température ambiante ainsi que de la température de cuisson.
15. Il vous est recommandé de ne pas entreposer les granules dans leur réservoir pour des périodes prolongées ; ils peuvent en effet absorber l'humidité de l'air et obstruer la vis sans fin de transport.
16. Garder le couvercle fermé pendant le fonctionnement du barbecue. Le barbecue est conçu pour cuisiner en gardant le couvercle fermé.
17. Il convient de noter que la température de cuisson affichée sur l'écran numérique est mesurée près de la surface de cuisson sur le côté gauche du barbecue. La véritable température à l'intérieur de la chambre de cuisson variera légèrement tout au long de la cuisson.
18. Ne pas utiliser d'accessoires dont l'utilisation n'est pas indiquée avec cet appareil.
19. Ne jamais employer d'essence de carburant de lanterne de type essence, de kérosène, de produit d'allumage pour charbon ou de liquides semblables pour démarrer ou raviver un feu dans cet appareil. Garder tous ces liquides à bonne distance de l'appareil pendant qu'il est en service.
20. Les cendres doivent être déposées dans un conteneur métallique possédant un couvercle hermétique. Le conteneur fermé qui contient les cendres doit être placé sur une surface non combustible ou sur le sol, très loin des matériaux combustibles jusqu'à l'élimination définitive des cendres. Si les cendres sont destinées à être enterrées dans le sol ou dispersées autrement sur place, elles devraient être conservées dans le conteneur jusqu'à ce qu'elles soient complètement refroidies.



21. La créosote – Formation et nécessité de la retirer. Lors de leur lente combustion, les granules de bois produisent du goudron et d'autres vapeurs organiques qui, combinés à l'humidité rejetée, forment la créosote. Les vapeurs de créosote se condensent dans les tuyaux d'évacuation d'un four relativement froid et dans la hotte de ventilation d'un foyer à combustion lente. Il en résulte une accumulation de résidus de créosote dans les tuyaux d'évacuation et la hotte de ventilation. Une fois mise à feu, cette créosote produit un feu brûlant. Le tuyau d'évacuation des graisses doit être inspecté au moins deux fois par an pour déterminer si une accumulation de graisse et/ou de créosote s'est produite. Si tel est le cas, cette accumulation doit être enlevée pour réduire le risque d'incendie.

### **⚠ AVERTISSEMENT**

Ne pas effectuer de travaux sur le barbecue lorsque celui-ci est branché. L'électrocution qui risquerait de se produire pourrait entraîner le décès ou des blessures graves.

### **CONSIGNES DE MONTAGE**

Retirer toutes les pièces détachées se trouvant à l'intérieur du barbecue et du réservoir.

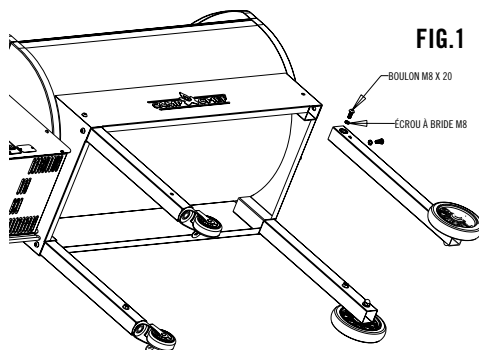
Déposer par terre une couverture ou un morceau de carton par terre pour protéger le barbecue.

### **MONTAGE DES PIEDS**

Avec l'aide d'une autre personne, mettre le barbecue à l'envers sur la couverture ou le carton.

Les couvercles du barbecue et du réservoir s'ouvriront lors de cette opération. Veiller donc à ne pas les abîmer. Le barbecue risque également de rouler sur son couvercle. Une personne devrait donc le maintenir en place pendant que l'autre personne monte les pieds fixes et les roues.

1. Assembler les pieds comme indiqué à la Fig. 1  
1 Remarque : le pied le plus long s'attache le plus près du réservoir. Serrer la quincaillerie manuellement.



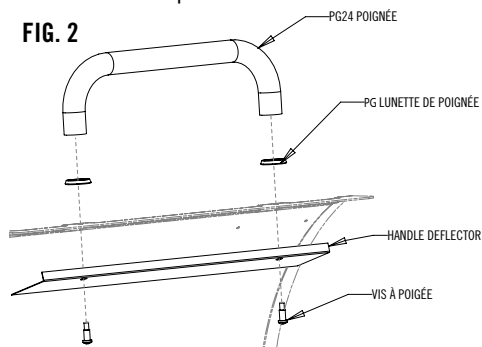
**FIG. 1**

2. Assembler les roues sur les pieds.
3. Avec l'aide d'une autre personne, remettre le barbecue à l'endroit. Veiller à ce que les couvercles du réservoir et du barbecue se referment lorsque le barbecue est posé à l'endroit.
4. Resserrer toute la quincaillerie montée aux étapes précédentes.

### **MONTAGE DE LA POIGNÉE**

1. Monter la poignée comme indiqué à la Fig. 2.
2. Serrer toute la quincaillerie.

**FIG. 2**



### **SEAU DE COLLECTE DES GRAISSES**

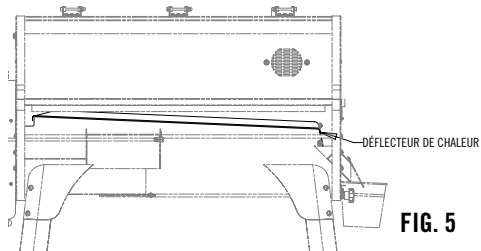
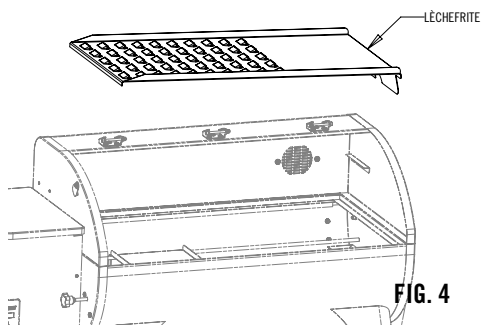
1. Suspendre le seau de collecte des graisses à son conduit d'évacuation comme indiqué à la Fig. 3.



**FIG. 3**

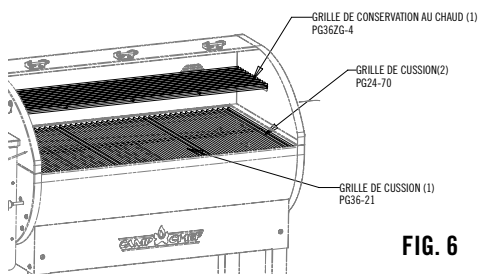
## DÉFLECTEUR DE LÈCHEFRITE

1. Monter la lèche-frite comme indiqué aux Fig. 4 et 5.



## GRILLE DE CUISSON ET GRILLE DE CONSERVATION AU CHAUD (EN OPTION SUR LE MODÈLE PG24-1, NON INCLUS)

1. Placer la grille de cuisson et la grille facultative de conservation au chaud comme indiqué à la Fig. 6.



## REMPLISSAGE DE LA CAVITÉ DE LA VIS SANS FIN DE TRANSPORT

**Attention: Utiliser uniquement le paramètre FEED lorsque le réservoir est complètement vide. Ce paramètre n'est pas destiné à être sélectionné pendant le fonctionnement normal du barbecue à granules.**

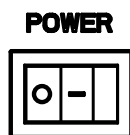
La première fois que vous utilisez votre barbecue où chaque fois que le réservoir à granules est vide, vous devrez remplir la cavité de la vis sans fin de transport. Ceci signifie simplement que vous devez

remplir la cavité de la vis sans fin de granules jusqu'à ce que ceux-ci atteignent le brûleur. Pour ce faire, placer le bouton de commande sur la position FEED puis maintenant le bouton de dérivation pour 3 secondes. Vous actionnerez ainsi la vis sans fin et l'écran numérique affichera « FEED ». La vis sans fin restera allumée pendant 7 minutes maximum. Il s'agit d'un temps largement suffisant pour permettre aux granules d'atteindre le brûleur. Il est plus facile d'ouvrir la zone de nettoyage du brûleur en tirant son bouton vers la droite du barbecue. Lorsque vous entendez les granules tomber dans le récipient à cendres, fermer le trou de la zone de nettoyage en repoussant le bouton d'ouverture de celle-ci du côté droit du barbecue et sélectionner ensuite la température de cuisson. (Ne jamais faire fonctionner le barbecue à granules sans monter le récipient à cendres). Toujours s'assurer que le trou de la zone de nettoyage est fermé en enfonçant son bouton situé à droite du barbecue avant de sélectionner l'un quelconque des réglages de cuisson. Ne jamais ouvrir le trou de la zone de nettoyage du brûleur lorsque le barbecue est chaud.

## EXPLICATION DU BOUTON DE COMMANDE INTERRUPTEUR

Celui-ci est utilisé pour raccorder l'alimentation principale au barbecue à granules. Lorsque le bouton de commande se trouve en position SHUTDOWN alors que l'interrupteur est allumé, l'écran affiche « ---- ». Le bouton de commande doit être placé sur une autre position pour pouvoir allumer le barbecue. Lorsque le barbecue est branché et que le bouton de commande se trouve sur une autre position que SHUTDOWN, le barbecue s'allumera immédiatement dans cette fonction. « 0 » signifie Arrêt (Off). « - » signifie Marche. Voir la Fig. 7.

Fig. 7



## POSITIONS DU BOUTON DE COMMANDE

### SHUTDOWN

Ce réglage doit être utilisé après chaque utilisation. Lorsque vous placez le bouton dans cette position, le système de ventilation continuera de fonctionner pendant 10 minutes pour s'arrêter ensuite. Ce réglage permet de brûler les derniers granules du brûleur et de refroidir le barbecue. Ne pas éteindre l'interrupteur principal lorsque le barbecue est chaud.

**FEED** - Ce réglage est utilisé pour alimenter les granules vers le brûleur en actionnant la vis sans fin de transport. Il sera utilisé la première fois que vous utilisez le barbecue pour remplir la cavité de la vis sans fin de transport et chaque fois que vous laissez se vider le réservoir à granules par inadvertance. Voir les consignes concernant le remplissage de la cavité de la vis sans fin de transport.

**LOW SMOKE** - Ce réglage est utilisé pour fumer des aliments à une température moyenne de 71°C (160°F). Il produit beaucoup de fumée.

**HIGH SMOKE** - Ce réglage est utilisé pour fumer des aliments à une température moyenne de 104°C (220°F). Il produit beaucoup de fumée.

**175F TO 400F** - Ce réglage permet d'augmenter la température par tranche de (14°C) 25°F de 79°C à 204°C (175° F à 400° F). Il vous suffit de sélectionner la température désirée et le barbecue contrôlera la température dans une fourchette de 8°C (15°F) de la température sélectionnée.

**HIGH** - Ce réglage permet d'atteindre des températures pouvant atteindre 260°C (500°F) suivant la température ambiante.

### AFFICHAGE

« START » s'affichera sur l'écran numérique chaque fois que le bouton de commande quitte la position OFF, SHUTDOWN ou FEED et est placé sur un réglage de cuisson. Le cycle d'allumage dure environ 8 minutes.

Pendant le cycle de cuisson qui suit la séquence d'allumage, l'écran numérique affiche la température à l'intérieur du barbecue. Lorsque vous appuyez sur le bouton de la température de la sonde, celui-ci affichera la température de la sonde extérieure utilisée pour mesurer la

température de la viande.

« SDOWN » s'affichera sur l'écran lorsque le bouton de commande est placé en position SHUTDOWN. Après 10 minutes, l'écran numérique et le système de ventilation se couperont.

« SENS » s'affichera sur l'écran lorsqu'une erreur se produit avec le capteur de température à l'intérieur du barbecue.

« PRERR » s'affichera sur l'écran lorsque vous appuyez sur le bouton de la température de la sonde et qu'aucune sonde extérieure n'est reliée ou qu'il y a un problème avec la sonde.

« FEED » s'affichera sur l'écran lorsque le bouton de commande est placé en mode FEED. La vis sans fin de transport s'éteindra après 7 minutes.

« BPASS » s'affichera sur l'écran lorsque vous appuyez sur le bouton Bypass et le maintenez enfoncé pendant 3 secondes. Voir le réglage du mode Bypass.

« FLAME » s'affichera sur l'écran lorsque l'incendie est éteint.

## CONSIGNES DE PRÉUTILISATION

Nous vous suggérons de faire fonctionner le barbecue à 176°C (350°F) à vide pendant une demi-heure avant de cuisiner avec pour la première fois. Ceci permettra de brûler les huiles de fabrication et de durcir la peinture. S'assurer de suivre les consignes de remplissage de la cavité de la vis sans fin de transport avant de suivre les consignes de préutilisation.

### AVERTISSEMENT

Toujours commencer le gril avec le couvercle ouvert. Le couvercle doit être fermé après l'démarrer le cycle.

## CUISSON

Lorsque la cavité de la vis sans fin est bien remplie, vous pouvez commencer à cuisiner en sélectionnant l'une des températures de cuisson. Le barbecue possède 13 réglages de cuisson : Low Smoke, High Smoke, 175, 200, 225, 250, 275, 300, 325, 350, 375, 400 et High. Il vous suffit de sélectionner l'un de ces réglages et le barbecue se placera en mode d'allumage. L'écran numérique affichera « START » pendant le cycle d'allumage qui dure 8 minutes. Après les 8 minutes, l'écran

numérique affichera la température interne du barbecue. Le bouton de commande peut être déplacé à tout moment pendant le cycle d'allumage sur n'importe lequel des 13 réglages de cuisson.

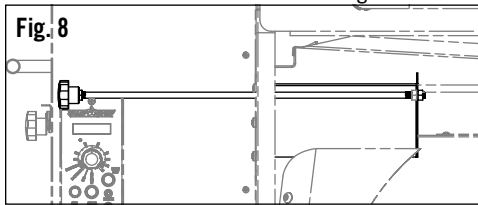
### **▲ AVERTISSEMENT**

Ne pas surchauffer le barbecue en plaçant trop de granules dans le brûleur avant la mise en marche. En cas d'extinction d'une flamme par inadvertance, ne jamais remettre le barbecue en marche sans nettoyer le brûleur au préalable. Une mauvaise utilisation peut provoquer un incendie de très grande ampleur.

### **DIRECT GRILL MODE**

Tirez le bouton de la grille tout en permettant la chaleur directe comme le montre la Fig. 8.

**Fig. 8**



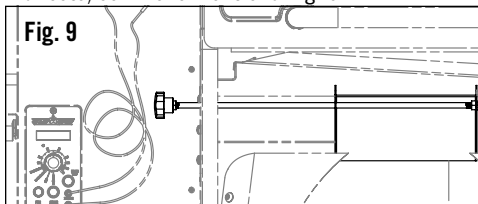
### **▲ AVERTISSEMENT**

Toujours nettoyer l'excès de graisse et de jus de cuisson avant toute cuisson à flamme directe. Une lèche-frite mal nettoyée peut provoquer de gros retours de flamme ou des incendies incontrôlables. En cas d'incendie provoqué par la graisse, éteindre l'appareil au niveau de l'interrupteur principal et fermer le couvercle. Laisser le couvercle fermé jusqu'à l'extinction totale du feu. En cas d'incendie non maîtrisable, appeler immédiatement le service local des incendies. Ne jamais verser d'eau sur le feu.

### **INDIRECT GRILL MODE**

Appuyer sur le bouton de la grille pour la chaleur indirecte, comme le montre la Fig. 9.

**Fig. 9**



### **SHUTDOWN**

Lorsque la cuisson est terminée, le bouton de commande doit être placé sur le réglage SHUTDOWN. L'écran numérique affichera « SDOWN ». Lorsque ce réglage est choisi, le système de ventilation continuera de fonctionner pendant 10 minutes pour finir de brûler les granules qui restent dans le brûleur et refroidir le barbecue. Après 10 minutes, l'affichage numérique et la tarière s'éteindront. À ce stade, l'interrupteur d'alimentation principal doit être désactivé. Avant le grill peut être utilisé, l'interrupteur d'alimentation doit être éteint puis rallumé.

### **LE MODE BYPASS**

Le mode BYPASS peut être utilisé en cas de coupure de courant ou lorsque le barbecue est éteint par accident ou chaque fois que vous souhaitez rallumer le barbecue lorsqu'il est encore chaud. Le mode BYPASS peut seulement être utilisé lorsque le barbecue est resté éteint moins de 3 à 4 minutes. Cette méthode est utilisée pour annuler le mode d'allumage normal et permettre au barbecue de reprendre la cuisson rapidement. Le brûleur doit être encore suffisamment chaud pour allumer de nouveaux granules faute de quoi cette méthode ne fonctionnera pas. Pour allumer le barbecue en mode BYPASS, vous devez commencer par sélectionner le réglage de cuisson souhaité. À ce stade, l'écran numérique affichera « START ». Il vous suffit d'appuyer sur le bouton vert bypass et de le maintenir enfoncé pendant 3 secondes. L'écran numérique affichera « BPASS ». Relâcher le bouton vert afin que le barbecue se remette en mode cuisson et l'écran numérique affichera la température du barbecue. Si le barbecue refuse de s'allumer en mode BYPASS, il faudra alors le rallumer en suivant la procédure d'allumage normale.

### **SONDE À VIANDE**

Le barbecue est équipé d'une sonde à viande intégrée qui permet de mesurer la température des aliments au fur et à mesure de la cuisson. Pour utiliser la sonde, insérer le fil à travers le volet en acier inoxydable qui se trouve sur le côté de la chambre de combustion. Insérer la sonde dans la nourriture. Raccorder le connecteur dans le

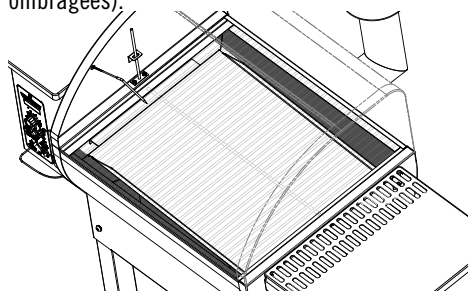
réceptacle situé à l'avant du panneau de commande. Lorsque vous appuyez sur le bouton vert de la température de la sonde à l'avant du panneau de commande, l'écran numérique affichera la température de la nourriture. Enfoncer le bouton une deuxième fois permettra de réafficher la température de cuisson. Si la sonde n'est pas installée correctement ou qu'une erreur se produit avec la sonde, l'écran numérique affichera « PRERR » lorsque vous appuyez sur le bouton de la température de la sonde. Lorsque vous enfoncez le fil de la sonde dans la nourriture, s'assurer que celui-ci n'est pas en contact direct avec une flamme nue ou vous risqueriez de l'abîmer. L'écran numérique affiche la lettre "X" devant le numéro lors de l'affichage de la température de la sonde de viande "X" et d'un "Y" pour la température de la sonde de viande "Y".

Exemple: "X155F"



## ⚠ AVERTISSEMENT

Ne pas utiliser de sonde de viande lorsque des températures plus dépasser 175°C. Dommages à la sonde peut se produire. Ne laissez pas le fil de sonde se placer dans les zones de chaleur directe (Comme le montrent les zones ombragées).



La chaleur directe endommagera le fil de la sonde et annulera la garantie. Toujours diriger la sonde de viande par le côté du gril. Ne pas plonger le fil dans l'eau. Ne convient pas au lave-vaisselle.

## NETTOYAGE

Nettoyer les grilles à l'aide d'une brosse prévue à cet effet. Il convient d'effectuer ce nettoyage après chaque utilisation. Ne pas utiliser de produits nettoyants abrasifs ou pour fours sur les surfaces peintes du barbecue. Nettoyer ces surfaces à l'eau chaude savonneuse. Nettoyer périodiquement la lèchefrite, la gouttière et le tuyau d'évacuation des graisses. Une spatule peut être utilisée pour racler la graisse excédentaire. Continuer de nettoyer ensuite avec une brosse pour grille. Ne pas laisser la graisse s'accumuler sur la lèchefrite ou dans la gouttière ; des retours de flamme pourraient se produire à l'intérieur du barbecue. S'assurer de ne pas bloquer le passage de la graisse de la lèchefrite vers la gouttière. S'assurer de ne pas bloquer le débit d'air vers le capteur de température situé sur le côté gauche du barbecue.

## DIAGNOSTIC DE PANNES

### LE BARBECUE REFUSE DE S'ALLUMER

Le barbecue refuse de s'allumer après avoir positionné l'interrupteur sur la position Marche.

1. S'assurer que le barbecue est branché sur une prise secteur alimentée. Vérifier le disjoncteur et/ou disjoncteur de fuite de terre. Vérifier le bon fonctionnement de la prise avec un autre appareil.
2. Débrancher le barbecue et vérifier le fusible situé sur le panneau avant. Si celui-ci est brûlé, le remplacer par un fusible à fusion vite de 4,0 ampères de 125 volts de 5x20 mm. Le fusible porte habituellement le marquage 4A125V, F4A125V, 4A250V, or F4A250V. S'assurer qu'il s'agit bien d'un fusible à fusion vite. Les dimensions réelles du fusible sont de 5,2 x 20 mm. Si le problème persiste, veuillez appeler le service à la clientèle.

### LE BARBECUE NE CHAUFFE PAS OU L'ÉCRAN NUMÉRIQUE AFFICHE LE TERME « FLAME ».

1. Couper le courant.
  2. Vérifier si le réservoir contient des granules.
  3. Vérifier si la chambre de combustion contient des granules. Pour ce faire, il suffit simplement de tirer la tige de nettoyage du brûleur.
- A. Essayer de rallumer le barbecue. Si vous ne

parvenez pas à rallumer le barbecue et que les granules arrivent dans la zone du brûleur, il conviendra sans doute de remplacer la bougie d'allumage.

- B. Si la zone du brûleur ne contient plus que quelques granules ou est vide, placer le bouton de commande sur la position FEED et vérifier si les granules tombent dans le fond du brûleur. S'il n'y a plus de granules, vérifier si la vis sans fin tourne. Lorsque le moteur de la vis fonctionne mais que la vis ne tourne pas, il se peut que l'axe de la vis soit sectionné. Pour vérifier si le moteur de la vis sans fin tourne, il suffit de regarder le petit ventilateur blanc qui se trouve à l'extrémité du moteur de la vis sans fin en dessous du réservoir à granules. Lorsque le ventilateur blanc fonctionne, cela signifie que le moteur est allumé. Si le ventilateur blanc fonctionne mais que la vis ne tourne pas, il faut remplacer l'axe de la vis sans fin.

Si le problème persiste, veuillez appeler le service à la clientèle.

#### **L'ÉCRAN NUMÉRIQUE AFFICHE « SENSr ».**

1. Éteindre l'appareil et débrancher le barbecue.
2. Vérifier si le capteur se trouvant à l'intérieur du barbecue est correctement relié à la carte électronique se trouvant en dessous du réservoir à granules.
3. Appeler le service à la clientèle pour recevoir un capteur de rechange.

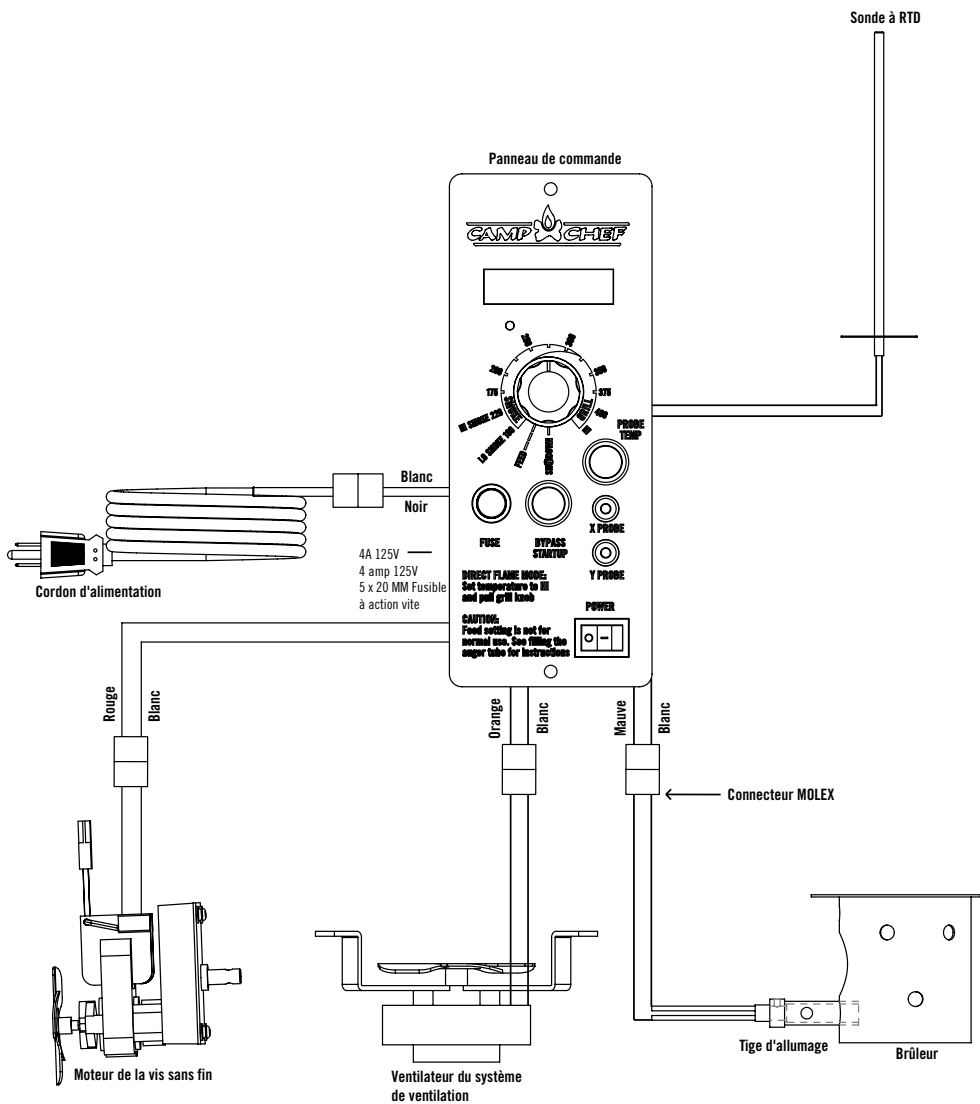
#### **L'ÉCRAN NUMÉRIQUE AFFICHE « PRERR ».**

1. Appuyer sur la touche de la température de la sonde. Lorsque vous appuyez sur la touche de la température de la sonde, l'écran numérique affiche la température à l'intérieur du barbecue et ensuite la température mesurée à l'aide du thermomètre à viande.
2. S'assurer que le thermomètre à viande est relié correctement à l'avant du barbecue. Lorsque vous appuyez sur la touche de la température de la sonde pour afficher la température de la sonde et que le thermomètre à viande est mal connecté à l'avant du barbecue, l'écran du barbecue affichera PRERR.

3. Appeler le service à la clientèle pour recevoir un nouveau thermomètre à viande.

#### **L'ÉCRAN NUMÉRIQUE AFFICHE « ----- ».**

1. Déplacer le bouton de commande de la position SHUTDOWN vers la position FEED ou tout autre réglage de cuisson.



### Garantie sans souci de Camp Chef

Chez Camp Chef, nous garantissons la qualité de nos produits et sommes fiers de notre service à la clientèle. C'est pourquoi votre nouveau produit Camp Chef s'accompagne d'une Garantie sans souci. De quoi s'agit-il ? Simplement : si nous commettons une erreur, nous la réparons. Nous garantissons que nos produits sont exempts de défaut de matériaux et de fabrication (à l'exclusion de la peinture et des finitions). Nous remplacerons les pièces défectueuses pour vous permettre de jouir à nouveau de votre produit dans les meilleurs délais.

### Entretien requis :

Nettoyer votre produit après chaque utilisation pour conserver les finitions et prolonger sa durée de vie. Enlever toute trace de graisse et de cendres. Garder les produits métalliques à l'abri de l'humidité, des sels, des acides et des brusques variations de température. La peinture et autres finitions de votre produit ne sont malheureusement pas couvertes par la présente garantie. Les finitions extérieures du produit s'useront avec le temps.

### Portée de la garantie :

La présente garantie ne couvre pas l'usure normale des pièces du produit ou tout dégât provoqué par la mauvaise utilisation, l'abus, la surchauffe et les modifications. Elle ne couvre non plus aucune modification. Camp Chef n'est pas responsable des pertes éventuelles résultant de la négligence. Par ailleurs, cette garantie ne couvre pas les articles achetés auprès d'une tierce partie, les concessionnaires non autorisés ou les dommages causés par des catastrophes naturelles, par exemple les séismes, les ouragans, les tornades, les inondations, la foudre, les incendies, etc.

La responsabilité de Camp Chef prend fin au moment de l'expiration de la présente Garantie. Il n'existe aucune autre garantie expresse ou tacite.

Veuillez conserver tous les reçus originaux de vos achats du concessionnaire agréé. Une preuve d'achat est requise pour bénéficier des services de garantie. Les pièces ou produits retournés sans autorisation écrite seront rejetés sans notification.

Pour bénéficier des services de garantie, veuillez soumettre une demande à cet effet sur notre site <http://www.campchef.com/warranty-information>, par courriel à l'adresse [warranty@campchef.com](mailto:warranty@campchef.com), ou par téléphone au numéro 1 800 650-2433. Nos Experts produits seront heureux de vous assister.

La garantie s'applique uniquement aux États américains contigus.

### PÉRIODES DE VALIDITÉ DE LA GARANTIE

Barbecues à granules et réchauds	1 an à partir de la date d'achat
Feux de camp	1 an à partir de la date d'achat
Chauffe-eau	1 an à partir de la date d'achat
Écrans de cinéma	1 an à partir de la date d'achat
Tous les autres articles et accessoires	90 jours à partir de la date d'achat

Certains modèles peuvent bénéficier d'une garantie prolongée.

