

Save These Instructions

---

Owners Instructions

For

**Brunco Hearthglow Coal Burning Fireplace Insert**

---

"All instructions must be in accordance with local  
and state codes which may differ from this manual"

Manufactured by: L. B. Brunk & Sons, Inc.  
10460 St. Rt. 45 N  
Salem, Oh 44460

## **BRUNCO HEARTHGLOW FIREPLACE INSERT**

### **General Instructions**

The Brunco Fireplace Insert is manufactured and sold as a heat efficiency improvement to be installed in masonry type fireplaces. The Brunco Hearthglow Fireplace Insert has been tested and labeled by Arnold Greene Testing Laboratories, Inc. of Natick, Massachusetts. The standard used for testing and evaluation was Underwriters Laboratories standard for solid fuel heater ANSI-UL 1482 and proposed UL-907. This heater complies with federal regulation 40-CFR-60 as a coal burning heater. Use of any other fuel except for coal ignition purposes is a violation of federal E.P.A. clean air laws.

**SAFETY NOTICE:** IF THIS BRUNCO HEARTHGLOW INSERT IS NOT PROPERLY INSTALLED, A HOUSE FIRE MAY RESULT. FOR YOUR SAFETY, FOLLOW THE INSTALLATION DIRECTIONS, CONTACT LOCAL BUILDING OR FIRE OFFICIALS ABOUT RESTRICTIONS AND INSTALLATION INSPECTION IN YOUR AREA.

#### **A) Check List of Parts -**

- |                                  |                    |
|----------------------------------|--------------------|
| 1 - 3 piece surround shields     | 5 - shaker handle  |
| 2 - dual blowers & cord assembly | 6 - firebrick      |
| 3 - blower speed control         | 7 - pkg. of screws |
| 4 - insulation roll              | 8 - smoke flap     |

#### **B) Assembly of Insert -**

- 1 - Remove the shipping pallet by unscrewing the bolts where it is attached to the Brunco Insert.
- 2 - Install firebrick in place by slipping top of brick under retainer and lifting up and setting bottom of brick into place.
- 3 - The sliding damper should be placed on the top of the insert with the handle in the slot provided. Note the guides do not allow the damper to close completely to prevent backdrafting problems.
- 4 - The blowers are installed on your Brunco Insert but should be checked that they are free and operate properly. A variable speed control is included with your stove and may be plugged into a regular wall receptacle, giving you a convenient switch with adjustable blower speed.
- 5 - The grates should be checked by putting the shaker handle on the extended grate and rocking back and forth. Double check the dimensions and condition of your fireplace and you are ready to install your Brunco.
- 6 - Fill out the warranty registration with the model name and serial number of the unit. This information will be found on the name plate (on the jacket behind the right faceplate). File the warranty copy in your file for future reference and mail the card to Brunco. This should be done at the time the unit is installed.

**C) Installation of the Insert -**

1 - The Brunco Insert is designed to be installed into a brick or stone masonry fireplace. The chimney should be flue lined, or stainless steel lined, and at least 8" in diameter.

2 - Remove the fireplace damper or at least wire it securely into a full open position so as not to restrict the draft or interfere with the operation of your new insert.

3 - The chimney and fireplace should be cleaned before installing the insert. It is recommended that the chimney be cleaned at least one time each year, or more often if necessary to keep dangerous residue from building up which could result in a chimney fire.

4 - The Brunco Insert should always be installed on a non-combustible masonry hearth. A non-combustible material should be applied to the floor extending at least 16" in front of the insert.

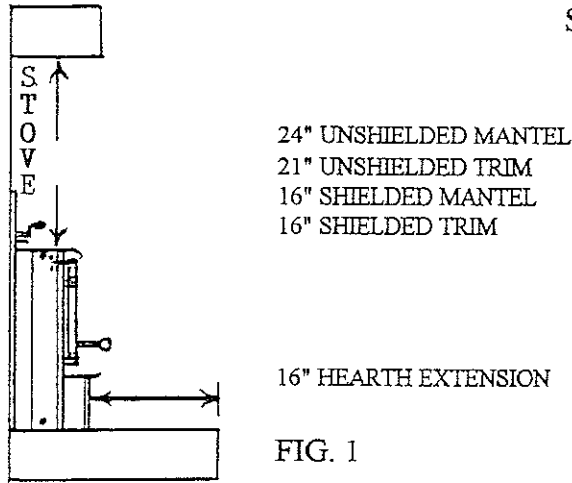


FIG. 1

See figures 1 & 2 for clearance requirements.

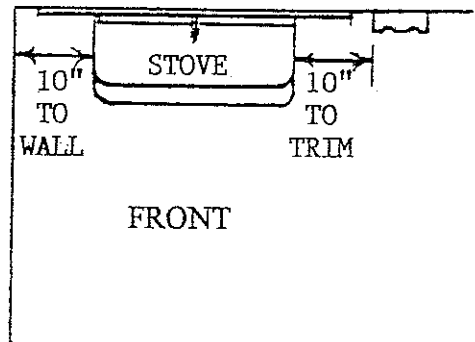


FIG. 2

5 - Slide the insert back into the fireplace opening about 12".

6 - Bolt the three-piece surround shields into place using the bolts provided. (See fig. 3) Tighten them securely. Note that under normal conditions a direct flue adapter or pipe is not needed. Direct connect adapters are available if required.

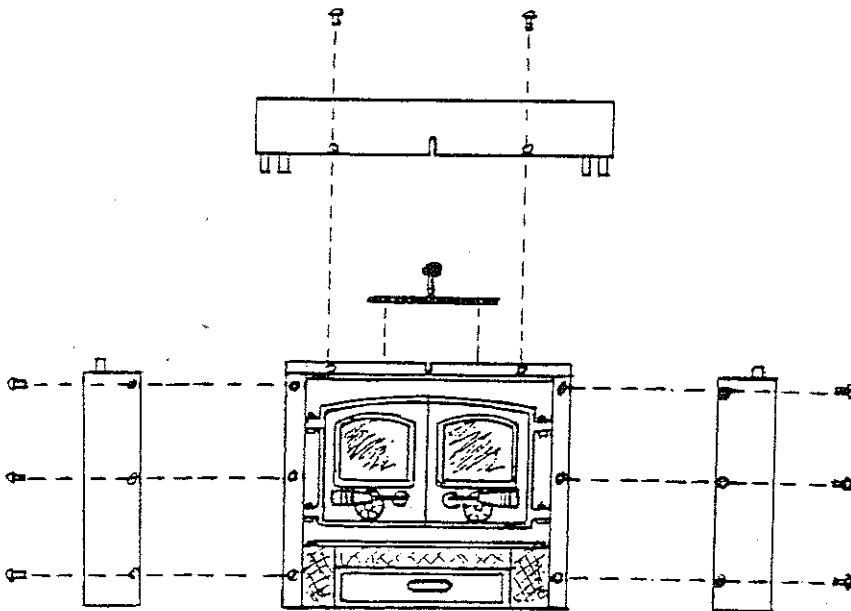


FIG. 3

7 - Use a strip of fiberglass insulation approx. 2" wide by 1" thick to seal the insert against the brick surface of the fireplace. It is recommended that a strip be used underneath the insert also to help reduce air and smoke leakage. With these strips in place, carefully slide the insert back against the fireplace until the insulation makes a good tight seal. NOTE: It is important to have a good tight seal between the Brunco Insert and the fireplace in order to reduce smoke and increase efficiency.

8 - After the unit has been installed, adjust the baffle plate in the top of the firebox so that it is in the center with equal amount of draft space on both sides. This will balance the draft so that the fire will burn more evenly.

#### D) The First Fire -

1 - Blower should be plugged into regular 115 volt wall outlet and checked for good operation. The stove may be operated under normal conditions with the blower either in the on or off position. We recommend that the blower should be left running when the stove is burning at a hotter than average temperature.

2 - Burn a small newspaper fire in the stove to check the draft of the chimney. A poor drafting chimney may cause the stove to smoke. If this should be the case, necessary steps should be taken to improve the chimney draft.

3 - Build a wood fire in the stove and fire up slowly so that the paint and stove can cure properly. There will be some smoke smell during the first few fires as the paint on the stove cures from the heat. The wood fire will then be used to ignite the coal fuel. The use of wood for heat in this stove except for coal ignition is a violation of U.S. E.P.A. clean air laws.

4 - The glass window is designed for better heat performance as well as good looks. Treat it carefully and you will get very little breakage problem. It is designed to withstand both wood or coal heat. The glass may become smoked over when the stove is being used. You will find that a hotter fire will help to keep the glass clean.

5 - Always use leather gloves when servicing and operating stove.

#### E) Operation -

1 - Build your solid fuel fire directly on top of the cast iron shaker grates. No additional grate is needed. Ignite a small amount of wood fuel and then cover it with stove size bituminous coal which in turn will become ignited. The draft controls should be set for maximum output until the coal begins to burn. When the coal bed becomes hot, then more coal as needed may be added and the draft control settings should be set to the desired heating requirements.

2 - A coal fire should not be built above the top of the firebrick, or the bottom of the loading door. The grates will need to be kept free of dead ash to gain maximum heat efficiency with coal.

3 - A good grade of clean washed coal is recommended for use in this stove. It will achieve better, cleaner combustion and will not jam up the grates as badly and will make less clinker ash. A clean coal and proper draft settings will produce a finer ash rather than a clinker.

4 - The bimetal draft control located on the left side of the insert should be adjusted so that the stove is burning at the

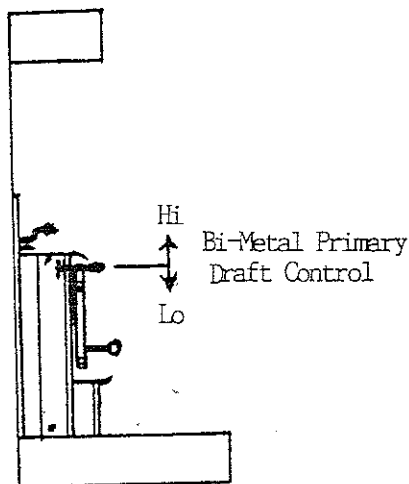
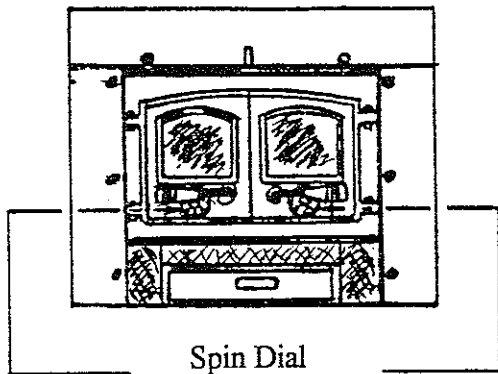


FIG. 4

desired temperature. The lever may be raised to increase heat output or lowered to reduce output. The heat sensitive spring will automatically open or close the damper then to help maintain proper stove temperature. The bimetal spring is activated by the temperature of the stove, not by room temperature.



Spin Dial  
Secondary Draft  
Control  
**FIG. 5**

5 - The spinner draft knobs on the doors may be opened as required to provide secondary air supply above the fire. Good coal combustion requires a mix of both primary and secondary air. The settings of these controls will vary somewhat with each chimney draft and installation and will need to be adjusted accordingly to achieve desired heat output. At no time should the stove be operated to such an extent that any portion becomes "red hot." (See Figure 5) **THE FIREPLACE SHOULD BE OPERATED ONLY WITH DOORS FULLY OPEN OR FULLY CLOSED. IF DOORS ARE LEFT PARTLY OPEN GAS AND FLAME MAY BE DRAWN OUT OF THE FIREPLACE OPENING, CREATING RISKS FROM BOTH FIRE AND SMOKE.**

6 - Ash pan should be emptied on a regular basis so that no ashes build up to the bottom of the grates. If ashes touch the grates it reduces draft efficiency and could cause the grates to burn out. Ashes should be placed in a metal container with a tight fitting lid. The closed container of ashes should be placed on a non-combustible floor or on the ground well away from all combustible materials, pending final disposal. If the ashes are disposed of by burial in soil or otherwise locally dispersed, they should be retained in the closed container until all cinders have thoroughly cooled.

7 - Never use gasoline, gasoline type lantern fuel, kerosene, charcoal lighter fluid, or similar liquids to start or freshen up a fire in this fireplace stove while it is in use.

8 - When coal is burned, the products of combustion combine with moisture to form a soot residue which accumulates on the flue lining. When ignited, this soot makes an extremely hot fire. The chimney connector and chimney should be inspected at least twice monthly during the heating season to determine if a creosote buildup has occurred. If creosote has accumulated it should be removed to reduce the risk of a chimney fire. In order to make this as easy as possible, the Brunco has been designed so that the three-piece surround shields may be removed without needing to move the heavy insert. Be sure that the gasket insulation is sealed well when shields are re-installed. Cleaning may be done with mechanical chimney cleaners or wire brushes and rods that are available through your Brunco dealer. Also you will find certified chimney sweeps available in most areas who provide cleaning services.

9 - Double doors may be opened for fireviewing with the optional fireview screen installed for spark protection. It is not recommended to leave the stove unattended with the doors open. **DO NOT** leave the ash door open at any time except to remove ashes.

10 - If your stove is equipped with the fireview glass window in the door, it will need to be cleaned periodically. To do this, open the door and use a cleaner formulated to remove creosote and smoke or soot buildup. An oven cleaner may be used, but could etch the glass and cause it to smoke over more quickly. Keep logs from hitting against the glass to prolong its life. Replacement windows are available from your Brunco dealer.

**F) Further information** - For further information on using your heater safely, obtain a copy of the National Fire Protection Association publication "Using Coal and Wood Stoves Safely", NFPA No. HS-8-1974. Batterymarch Park, Quincy, Mass. 12269.

**G) RECOMMENDED FUEL:** This Coal Brunco heater requires the use of stove size bituminous coal fuel.

**H) WARNING:** The installation of this stove must comply with state and local requirements and be inspected by the state or local building inspector if required. **DO NOT CONNECT THIS UNIT TO A CHIMNEY FLUE SERVING ANOTHER APPLIANCE.**

**I) Note:** This stove is not approved or recommended for use in mobile homes.

**J) ENJOY** the warmth and beauty of your new Brunco Insert and use wisdom and common sense in the operation of the solid fuel heater. However inconvenient or unhandy, always put safety first.

September 1995

Manufactured by:

**L.B. Brunk & Sons, Inc.**

**10460 S.R. 45 N**

**Salem, OH 44460**

#### CHECK LIST

- 1 - \_\_\_\_\_ Have you read all instructions?
- 2 - \_\_\_\_\_ Is your chimney clean and of approved style?
- 3 - \_\_\_\_\_ Do you have proper draft on the flue?
- 4 - \_\_\_\_\_ Is the stove installed to code?
- 5 - \_\_\_\_\_ Do you have proper wall and floor clearance?
- 6 - \_\_\_\_\_ Are the flue connections properly made?
- 7 - \_\_\_\_\_ Are you burning the proper size fuel?
- 8 - \_\_\_\_\_ Is your coal of good clean quality?
- 9 - \_\_\_\_\_ Are all electrical connections correct and protected from hot areas?
- 10 - \_\_\_\_\_ Have you sent in your warranty card?

PARTS LIST FOR BRUNCO HEARTH GLOW INSERT

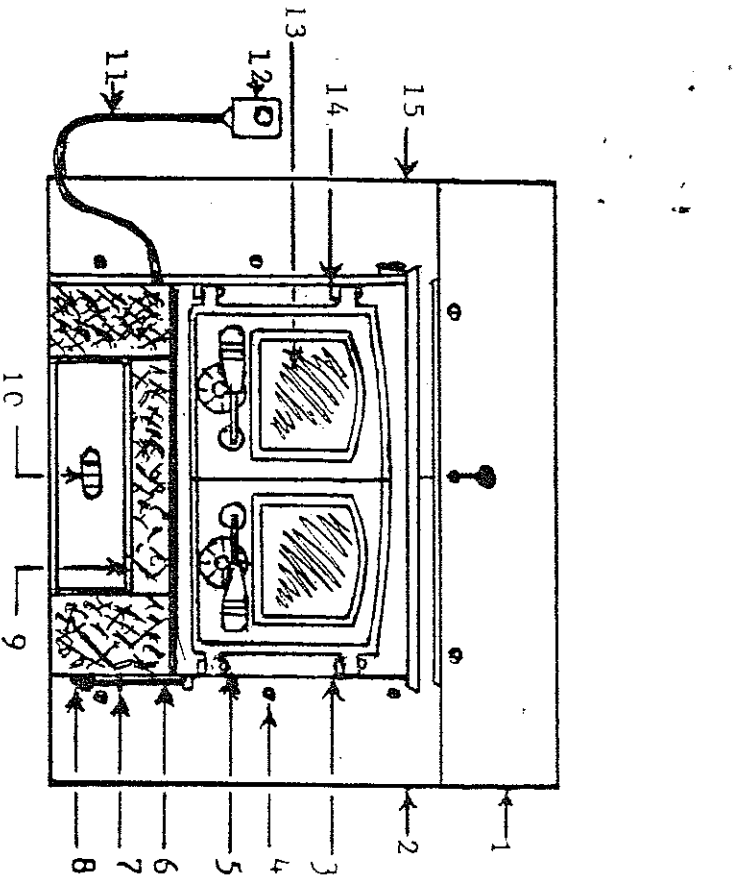


Fig. 1

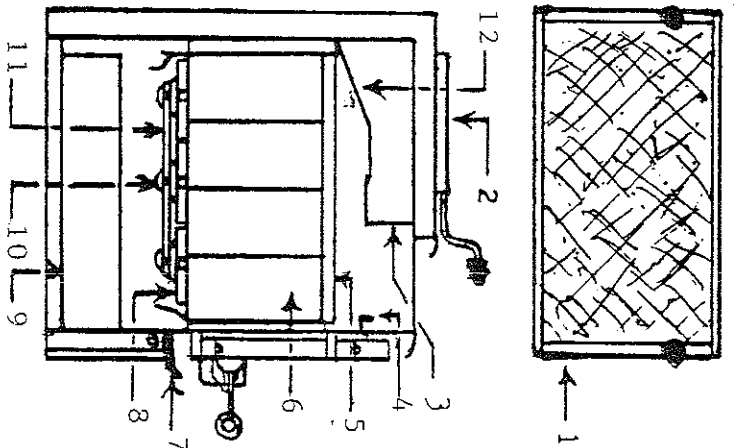


Fig. 2

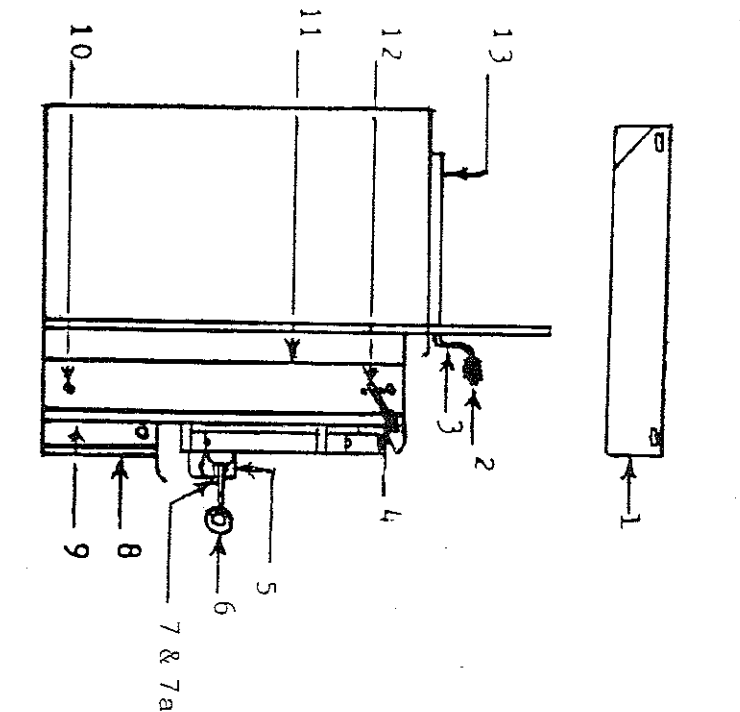


Fig. 3

- 1 - HG1 Top Face Plate (1)
- 2 - HGRH2 Side Face Plate (1)
- 3 - HGR Right Loading Door (1)
- 4 - HG3 Face Plate Bolts (8)
- 5 - HG4 Hinge Pins (4)
- 6 - HG5 Shaker Handle (1)
- 7 - HG6 Shaker Handle Lock (welded) (1)
- 8 - HG7 Spring Handle (1)
- 9 - HG8 Draft Control Screen (1)
- 10 - HG9 Ash Pan Handle (1)
- 11 - HG10 Power Cord (1)
- 12 - Vari Speed Control (1)
- 13 - 6 1/4 x 8 3/8 Arched Top Tempered Glass (2)
- 14 - HGL Left Loading Door (1)
- 15 - HGLH11 Side Face Plate (1)

- 1 - HG12 Fireview Screen (1) (Opt)
- 2 - HG13 Damper Plate (1)
- 3 - HG14 Fixed Baffle (welded) (1)
- 4 - DD30 Smoke Baffle Hooks (welded) (2)
- 5 - HG15 Side Brick Retainer (welded) (2)
- 6 - 1 1/4 x 4 1/2 x 9 Firebrick (13)
- 7 - HG32 Dust Shelf (welded) (1)
- 8 - G99 Long Cast Iron Grate (1)
- 9 - HG16 Ash Pan (1)
- 10 - G99 Short Cast Iron Grate (2)
- 11 - HG17 Grate Tie Bar (1)
- 12 - HG18 Removable Baffle (1)

- 1 - HG19 Smoke Baffle Hangs Inside Top of Door Opening (1)
- 2 - HG7 Spring Handle (1)
- 3 - HG20 Damper Rod (1)
- 4 - HG21 Draft Control Spring Handle (1)
- 5 - SFS10 Cast Iron Spin Dials (2)
- 6 - HG22 Oak Door Handle (2)
- 7 - HG23 Spin Dial Bolt (2)
- 7a - HG33 Spin Dial Nuts (2)
- 8 - HG25 Blower Screen (2)
- 9 - HG26 100 CFM Blower (2)
- 10 - HG27 Draft Control Cover Screws (2)
- 11 - HG28 Draft Control Cover (1)
- 12 - HG29 Bi-Metal Draft Control Assembly - Bi-Metal Spring, Chain & Flap with Rod (1)
- 13 - HG30 Damper Guides (welded) (2)

WS28 Self Adhesive Glass Gasketing (not shown) Requires 2 1/2' per glass.