

OWNER'S MANUAL

# 30" ELECTRIC GRIDDLE DROP-IN WITH HOOD

## TABLE OF CONTENTS

IMPORTANT SAFETY INFORMATION .....	02
ACTIVATE YOUR WARRANTY .....	03
ASSEMBLY GUIDE .....	04
USING YOUR BLACKSTONE .....	06
TROUBLESHOOTING .....	10



For the latest version of this manual, scan this code or visit [BlackstoneProducts.com/support](https://BlackstoneProducts.com/support)

### IMPORTANT:

This instruction manual contains important information necessary for the proper assembly and safe use of the appliance.

Read and follow all warnings and instructions before assembling and using the appliance.

Follow all warnings and instructions when using the appliance.

Keep this manual for future reference.

Installer/Assembler: Leave these instructions with the consumer.

### SAFETY ALERT KEY

**⚠ DANGER**

Indicates a hazardous situation that, if not avoided, will result in death or serious injury.

**⚠ CAUTION**

Indicates a hazardous situation that, if not avoided, could result in minor or moderate injury.

**⚠ WARNING**

Indicates a hazardous situation that, if not avoided, could result in death or serious injury.

**NOTICE**

Indicates information considered important, but not hazard-related (e.g. messages related to property damage).

# IMPORTANT SAFETY INFORMATION

## ⚠ DANGER

- NEVER operate this appliance unattended.
- NEVER attempt to service or repair your griddle while connected.
- DO NOT connect or energize this appliance until all installation instructions are read and followed. Damage to the appliance will result if these instructions are not followed.

## ⚠ WARNING

- Disconnect this unit before cleaning or any service work is performed on this griddle unit.
- This appliance is for outdoor use only.

# IMPORTANT SAFEGUARDS

01. Read all instructions before use.
02. Proper Installation - Be sure your appliance is properly installed and grounded by a qualified technician.
03. DO NOT touch hot surfaces. Use handles or knobs.
04. DO NOT leave children alone- Children should not be left alone or unattended in area where appliance is in use. They should never be allowed to sit or stand on any part of the appliance.
05. DO NOT use your appliance for warming or heating the room.
06. DO NOT use appliance for other than intended use.
07. Close supervision is necessary when any appliance is used by or near children.
08. Wear Proper Apparel - Loose-fitting or hanging garments should never be worn while using the appliance.
09. User Servicing - DO NOT repair or replace any part of the appliance unless specifically recommended in the manual. All other servicing should be referred to a qualified technician.
10. DO NOT place on or near a hot gas or electric burner, or in a heated oven.
11. Storage in or on Appliance - Flammable materials should not be stored in an oven or near surface units.
12. Extreme caution must be used when moving an appliance containing hot oil or other hot liquids.
13. Disconnect from the outlet when not in use and before cleaning. Allow to cool before putting on or taking off parts.
14. DO NOT use water on grease fires - Smother fire or flame or use dry chemical or foam-type extinguisher.
15. DO NOT TOUCH SURFACE UNITS OR AREAS NEAR UNITS - Surface units may be hot even though they are dark in color. Areas near surface units may become hot enough to cause burns. During and after use, DO NOT touch, or let clothing or other flammable materials contact surface units or areas near units until they have had sufficient time to cool. Among these areas are the griddle plate and the hood.
16. **⚠ CAUTION:** DO NOT store items of interest to children in cabinets above a range or on the backguard of a range - children climbing on the range to reach items could be seriously injured.

# SAVE THESE INSTRUCTIONS



# ACTIVATE YOUR WARRANTY

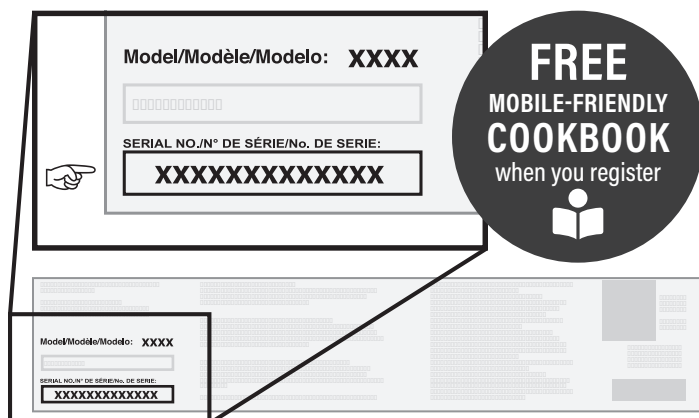
## WARRANTY OVERVIEW

The North Atlantic Imports, LLC 1-Year Warranty covers replacement parts up to one year after the date of purchase.

The North Atlantic Imports, LLC 90-Day Warranty covers labor costs for defective parts up to ninety days after the date of purchase.

## TO ENABLE THIS WARRANTY, YOU WILL NEED TO PROVIDE:

👉 Your appliance's Serial Number



The Serial Number can be found on your appliance's Manufacturer Label.

(The Manufacturer Label is a large silver sticker found on the body of your appliance.)



Register your appliance at  
[BlackstoneProducts.com/register](https://www.BlackstoneProducts.com/register)

## ONE YEAR WARRANTY

North Atlantic Imports, LLC warrants this product against defects in materials and workmanship for a period of one (1) year from the original date of purchase under normal use. To the extent any such defects occur, North Atlantic Imports, LLC, in its discretion, will provide the appropriate replacement part(s) at no charge.

In no event shall North Atlantic Imports, LLC be liable for consequential, indirect or incidental damages resulting from the installation, use or failure of the product.

This warranty DOES NOT cover:

- Inspection costs or labor for replacement of any defective part(s);
- Cosmetic defects which DO NOT affect product performance or integrity;
- Normal wear and tear;
- Damage due to vandalism; acts of nature, including but not limited to wind, storms, hail, floods;
- Improper assembly, installation, or use;
- Discoloration or fading of the finish as a result of exposure to chemicals, spills, pool or salt water;
- Corrosion / rust.

This product has been designed for safety and quality. Any modifications made to the original product could compromise its structural integrity or function and could lead to product failure or personal injury. As such, modifying this product voids all warranties.

This product is warranted for RESIDENTIAL USE ONLY, and is not for commercial, contract or other non-residential purposes. North Atlantic Imports, LLC disclaims all other representations and warranties of any kind, express or implied.

The warranty applies to the original purchaser and is non-transferable. It does not apply to purchases of display models, or when the product is sold on clearance or "as is". To activate your warranty, register your product at [www.BlackstoneProducts.com/register](https://www.BlackstoneProducts.com/register).

North Atlantic Imports, LLC makes no warranty whatsoever in respect to accessories or parts not supplied with it. This warranty shall apply only within the boundaries of the United States of America and Canada. This warranty gives the original purchaser specific rights, and the original purchaser may also have other rights, which vary from state to state.

This warranty is the exclusive warranty of North Atlantic Imports, LLC and is in lieu of all other warranties expressed or implied. North Atlantic Imports, LLC reserves the right to change or modify this warranty at any time.

## 90 DAY WARRANTY

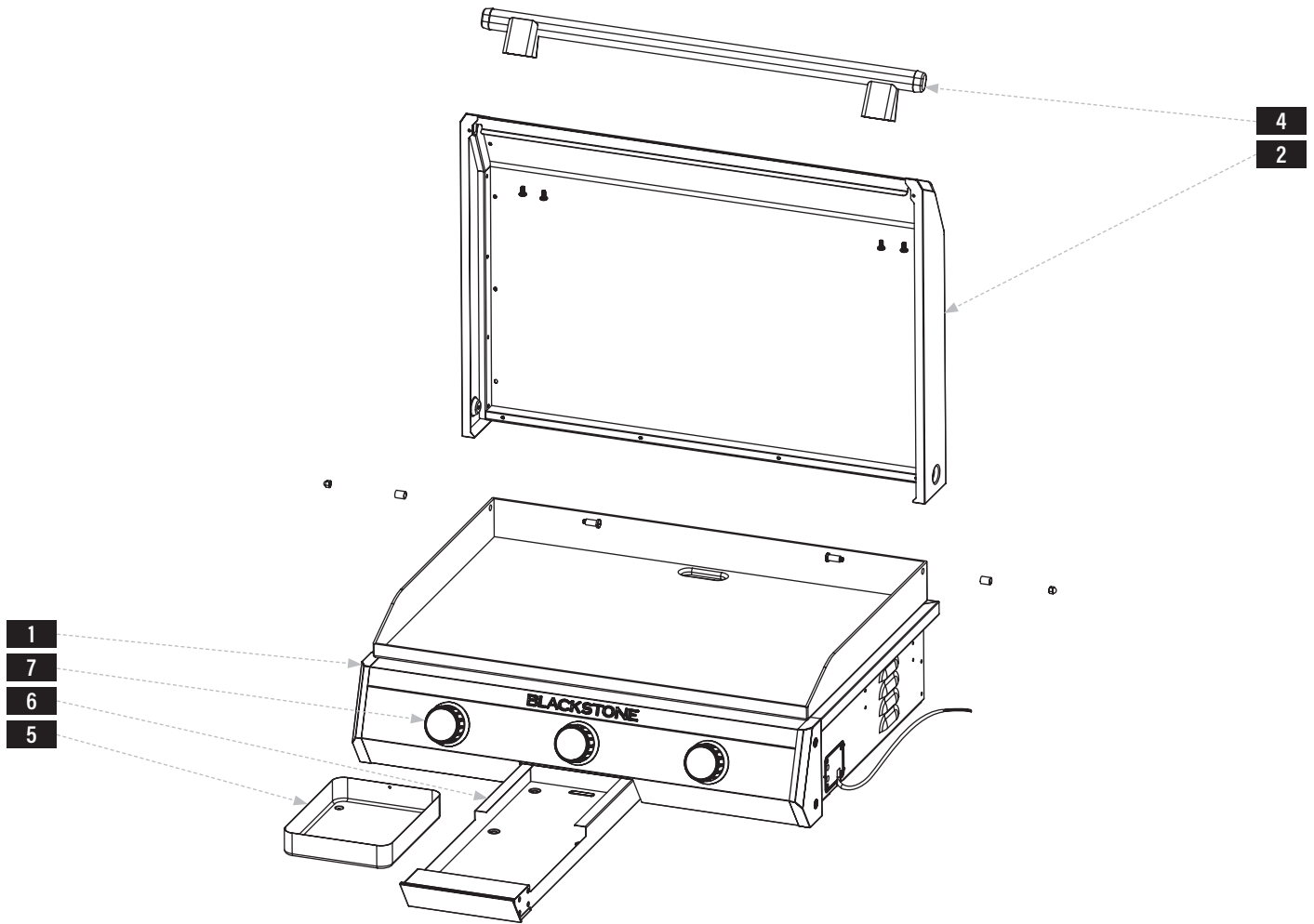
North Atlantic Imports, LLC, in its discretion, will cover labor costs for replacement of any defective part(s) for a period of ninety (90) days from the original date of purchase under normal use.

The purchaser must produce proof of maintenance by a certified electrician. Any maintenance by a non-certified individual will void the warranty.

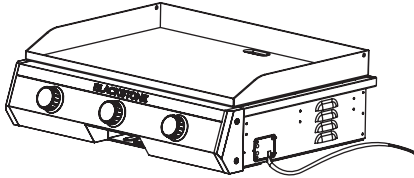
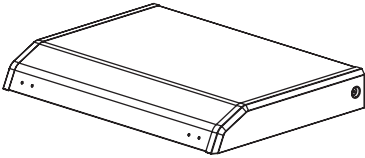
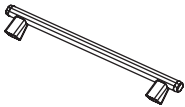
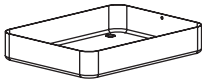
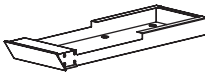

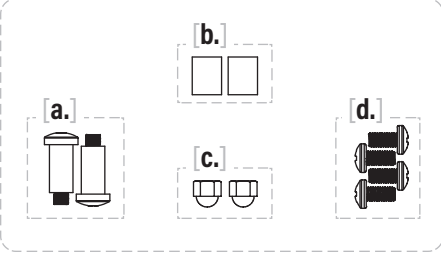
# ASSEMBLY GUIDE

## EXPLODED VIEW

ENGLISH



## PARTS LIST

<p><b>1</b> Griddle body (1 piece)</p> 	<p><b>2</b> Hood (1 piece)</p> 	<p><b>3</b> Hardware Pack                  a. Shoulder bolts (2 pieces)                  b. Spacers (2 pieces)                  c. Acorn nuts (2 pieces)                  d. M6x16 screws (4 pieces)</p>		
<p><b>4</b> Hood handle (1 piece)</p> 	<p><b>5</b> Grease cup (1 piece)</p> 	<p><b>6</b> Grease drawer (1 piece)</p> 	<p><b>7</b> Control knobs (3 pieces)</p> 	



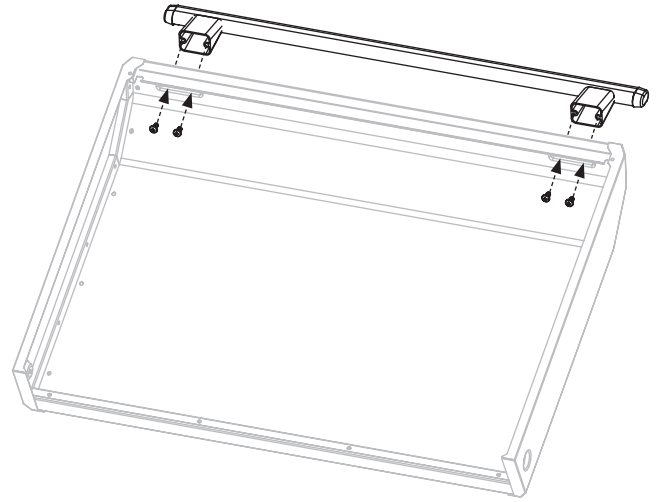
## ASSEMBLY INSTRUCTIONS

Find a large, clean area to assemble your appliance.  
Remove all packing material before assembling.

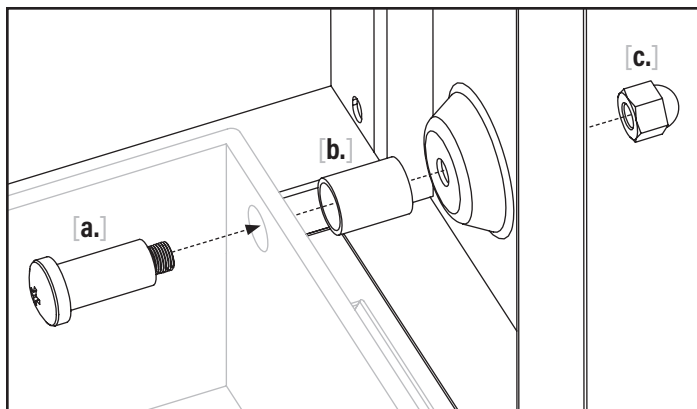
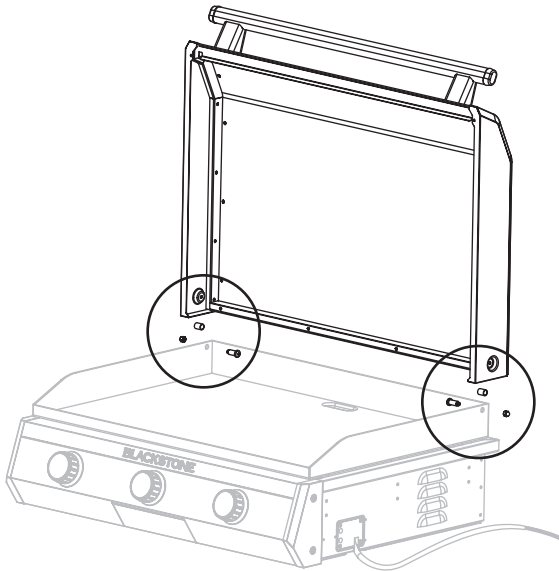
### ⚠ CAUTION

Sharp edges. Wear gloves while assembling.

**STEP 01** Use four (4) M6x16 screws [d.] to attach the hood handle to the front of the hood.



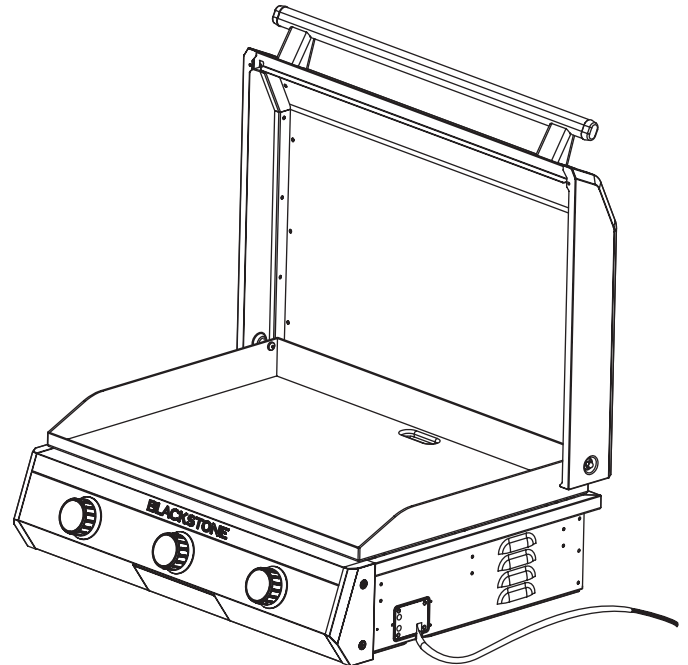
**STEP 02** Use two (2) shoulder bolts [a.], two (2) spacers [b.], and two (2) acorn nuts [c.] to attach the hood to the griddle top.



**STEP 03** Proceed to **USING YOUR BLACKSTONE.**

### NOTICE

DO NOT operate with hood closed.



# USING YOUR BLACKSTONE

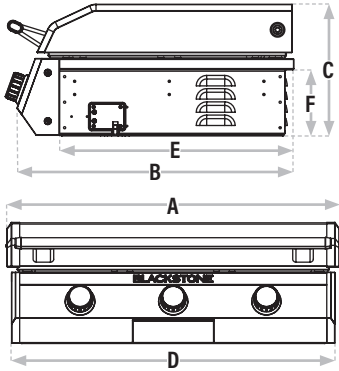
## INSTALLATION INSTRUCTIONS

### DIMENSIONS

ENGLISH

**⚠ WARNING**

Licensed electrician required for installation and connecting the wirings.



**GRIDDLE BODY DIMENSIONS**

A: Width = 32 ¼ in (819.15mm)

B: Depth = 24 ¾ in (629mm)

C: Height = 11 ¾ in (298mm)

**BURN BOX DIMENSIONS**

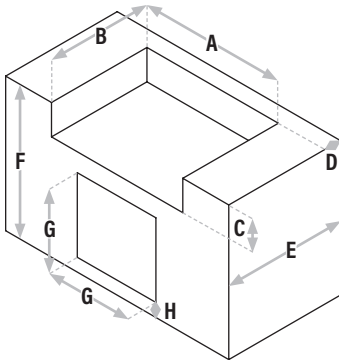
D: Width = 31 ¾ in (797mm)

E: Depth = 21 in (533mm)

F: Height = 5 ½ in (149mm)

**⚠ WARNING**

- This cabinet or built-in enclosure must be able to support at least 250lbs (113kg) without any issues.
- Enclosures must be built of fire-resistant materials.



**CAVITY DIMENSIONS**

A: Min Width = 30 ⅜ in (770mm)

Max Width = 30 ⅝ in (778mm)

B: Min Depth = 20 ⅜ in (518mm)

Max Depth = 20 ⅝ in (525mm)

C: Height = 6 ⅝ in (156mm)

D: Min Distance from back = 3 ⅜ in (86mm)

**CABINET DIMENSIONS**

E: Depth = 23 ¾ in (604mm)

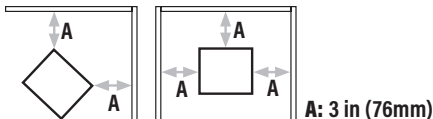
F: Height = 35 in (889mm)

**DOOR DIMENSIONS**

G: Width and height = 8 ¼ in (464mm)

H: Distance from floor = 4 in (102mm)

DO NOT operate this appliance any closer than 3 in (76mm) from the sides and back of the appliance to combustible materials.



### CONNECTING THE WIRES

**⚠ WARNING**

Licensed electrician required for installation and connecting to the electric outlet.

**⚠ WARNING**

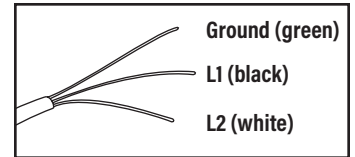
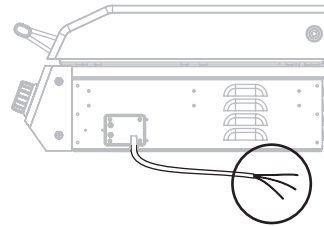
This appliance is not fused. Protect the circuit with properly sized fuses or circuit breaker.

**⚠ WARNING**

An electrical disconnect must be installed readily accessible to the operator of the appliance.

**⚠ WARNING**

This appliance must be electrically grounded.



**ELECTRIC REQUIREMENTS**

240V 5400W



## IGNITION INSTRUCTIONS

### TO TURN THE GRIDDLE ON:

**STEP 01** Wake up the appliance:

Turn or press any control knob to enter STANDBY MODE.

Turn to set temp.

**STEP 02** Press control knob to PREHEAT.

**Note:** If temperature is changed to lower than current temperature, PREHEAT light won't flash.

**STEP 03** Ready for COOKING when:

PREHEAT light turns OFF. Buzzer beeps three times.

**Note:** Press the knob to stop heating and return to STANDBY MODE.

### TO TURN THE GRIDDLE OFF:

**STEP 01** Press and hold any control knob to enter SLEEP MODE.



#### STANDBY MODE

Default temperature setting is 600°F (315°C). Temperature light is WHITE, and the flame light is orange.

Temperature range is 120°F - 600°F (50°C -315°C)



#### PREHEAT

"PREHEAT" light starts to flash until the temperature reaches the set temperature.



#### COOKING

Temperature light is ORANGE during the heating mode.



#### SLEEP MODE

Appliance will also enter sleep mode when none of the 3 heating zones is in operation, AND the unit has been left idle for 30 minutes.

## COOKING ON YOUR BLACKSTONE

### ⚠ DANGER

Flammable items can spontaneously combust if placed near the appliance. DO NOT place flammable items such as aerosol containers, oily or greasy towels near the cooking surface.

### ⚠ CAUTION

This appliance will be hot during and after use. Use long-handled utensils and oven mitts/ protective gloves when handling potentially hot parts to protect against burns and splatters.

### NOTICE

DO NOT store any items within 3 in (8 cm) of the cooking surface while in use.

### VIDEO RECIPES

Find recipes and cooking tips at:

🌐 [BlackstoneProducts.com/blogs/recipes](https://blackstoneproducts.com/blogs/recipes)

📺 [youtube.com/c/BlackstoneGriddles](https://youtube.com/c/BlackstoneGriddles)

📱 @blackstoneproducts



**STRAWBERRIES AND CREAM PANCAKES**  
Breakfast

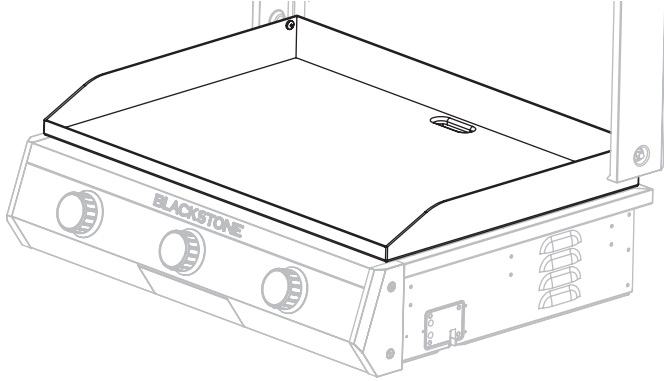
**OKLAHOMA FRIED ONION BURGER**  
Lunch



**TACOS BORRACHOS**  
Dinner



# GRIDDLE SEASONING INSTRUCTIONS



## WASHING YOUR GRIDDLE TOP BEFORE FIRST USE

### NOTICE

Soap will ruin a seasoned griddle. This is the only time you should use soap on the griddle cooking surface.

**STEP 01** Wash the griddle cooking surface with hot, soapy water.

**STEP 02** Rinse and dry completely.



### VIDEO TUTORIAL

How to Season a New Blackstone Griddle  
[youtube.com/watch?v=VspmDVnj2pl&t=3s](https://www.youtube.com/watch?v=VspmDVnj2pl&t=3s)

**STEP 01** Wipe any debris off griddle top.



**STEP 02** Set your griddle to high heat until your griddle top changes color. (~10 min)



**STEP 03** Use tongs to hold a paper towel or cotton cloth and spread 2-3 tablespoons of your seasoning oil across the entire griddle top.

When seasoning your griddle top, remember to use a thin and even layer of oil—the thinner the layer of oil, the easier it will be to burn it off.



**STEP 04** The griddle top is ready for another layer of oil when it stops smoking. Repeat **STEP 03** 3-4 times, or until the griddle surface is black.



## WHAT OIL IS BEST TO USE?

- Blackstone Seasoning and Cast Iron Conditioner.
- Any plant-based cooking oil.
- Rendered animal fat with no additives.



## SEASONING TROUBLESHOOTING

### THERE IS A BROWNISH RESIDUE ON THE GRIDDLE SURFACE:

#### POSSIBLE CAUSES

- Too much oil was used.
- You turned off the heat too soon.

#### SOLUTION

**STEP 01** Turn your griddle on high and let it heat for 10-15 minutes.

**STEP 02** Scrape off as much of the thickened and partially cooked oil as you can.

**STEP 03** Re-season with a very thin layer of oil.

### THE EDGES OF THE GRIDDLE SURFACE ARE NOT BLACK:

After using your griddle for multiple cooks, the seasoning will even out and improve.

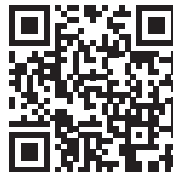
## PREVENTING RUST

Use your griddle frequently. Every time you cook, you are adding to the seasoning, which makes rust less likely.

### NOTICE

If you live in a humid or coastal climate, your griddle may require more frequent seasonings between uses.

If rust appears on the griddle surface, rub it off with steel wool, low grit sandpaper or the **Blackstone Pumice Stone** and re-season the surface.



### VIDEO TUTORIAL

Recovering your Blackstone Griddle Top  
[youtube.com/watch?v=thPE2lgnSil](https://www.youtube.com/watch?v=thPE2lgnSil)

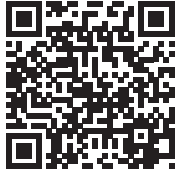




## CLEANING YOUR GRIDDLE TOP

Clean griddle top after each use, while still warm.

- DO NOT use soap on the griddle top. This will destroy the griddle's seasoning.



### VIDEO TUTORIAL

How to Clean your Blackstone Griddle  
[youtube.com/watch?v=-ledu9z6NPY](https://www.youtube.com/watch?v=-ledu9z6NPY)

**STEP 01** Push loose food debris into the grease cup with spatula or straight metal scraper.



**STEP 02** Wipe down griddle top with paper towel.



**STEP 03** Apply a few tablespoons of water to the griddle surface, then scrape the water and debris into the grease cup.

(For stuck-on food residue, use a bit of coarse salt.)



**STEP 04** Wipe again with a paper towel and dry completely.



**STEP 05** Apply thin coat of cooking oil to maintain seasoning and protect the griddle top.

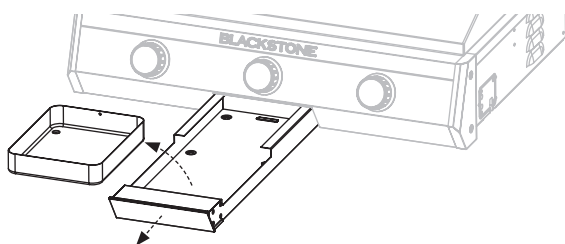


## EMPTY YOUR GREASE CUP

The grease cup must be removed and emptied after each use.

### CAUTION

Grease cup will be hot during and after use. DO NOT remove the grease cup until the griddle has completely cooled.



## CLEANING YOUR APPLIANCE

### WARNING

Grease build up can cause a fire. Clean any part of the appliance that gets hot and experiences grease build up after each use.

### CAUTION

All cleaning and maintenance should be carried out when the appliance is cool and everything is turned OFF.

- DO NOT use abrasive pad on areas with graphics.
- If a bristle brush is used to clean any of the cooking surfaces, ensure no loose bristles remain on cooking surfaces prior to cooking.

### APPLIANCE BODY:

Wash with warm soapy water and immediately wipe dry with a non-abrasive cloth. (DO NOT allow cleaning agents to rest on any porous surface for a prolonged amount of time.)

### NOTICE

DO NOT use Citrisol, abrasive cleaners, or a concentrated cleaner on the appliance. This may result in damage to and failure of parts.

# TROUBLESHOOTING

## ELECTRIC DROP-IN GRIDDLE TROUBLESHOOTING

### GRIDDLE WILL NOT HEAT:

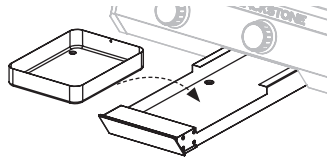
POSSIBLE CAUSES	SOLUTION
Circuit breaker OFF or tripped.	Reset circuit breaker.

### ONE SECTION DOES NOT HEAT:

POSSIBLE CAUSES	SOLUTION
Temperature control knob not set to desired temperature.	Press and turn control knob to set temperature.
Damaged internal component.	Contact a licensed electrician for repairs.

### GRIDDLE DRIPS GREASE:

POSSIBLE CAUSES	SOLUTION
Grease drawer full or not installed.	Empty grease cup. Place the grease cup back in grease drawer.



Damaged internal component.	Contact a licensed electrician for repairs.
-----------------------------	---

**Note:** There are no user servicable components inside the griddle. In all cases of damage and malfunction, contact a licensed electrician for repairs. Maintenance by a non-licensed electrician will void all warranties.

## CUSTOMER SUPPORT

Visit us online at [BlackstoneProducts.com/support](https://BlackstoneProducts.com/support) for assistance concerning appliance use, replacement parts, or your warranty.

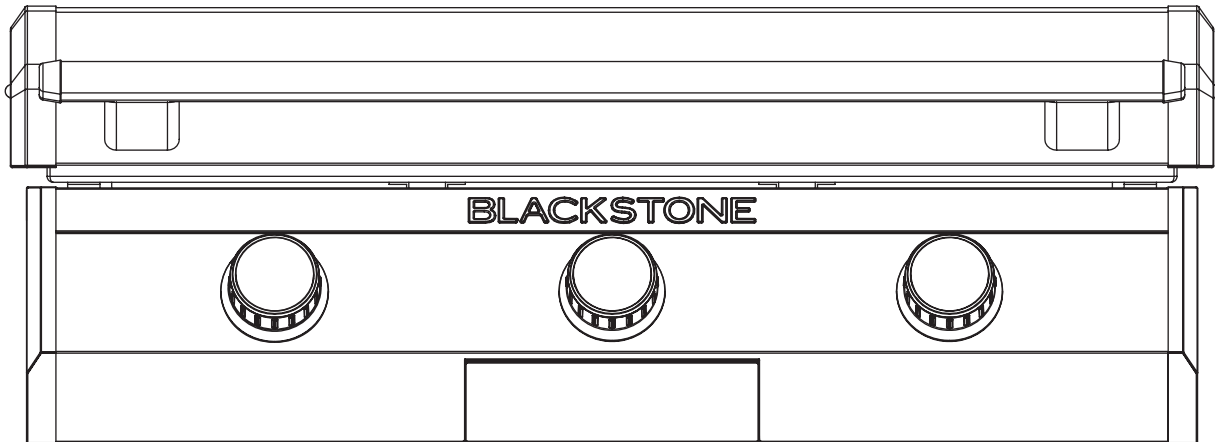
### CUSTOMER SUPPORT HOURS:

 Monday - Friday  
7:00 am - 5:00 pm (Mountain Time)

This page intentionally left blank



This product may be covered by one or more issued U.S. and/or international patents and may include patent applications pending. For more information, please visit: [BlackstoneProducts.com/patents](https://BlackstoneProducts.com/patents)



MANUEL DU PROPRIÉTAIRE

# PLAQUE CHAUFFANTE ÉLECTRIQUE DE 30 PO DROP-IN AVEC CAPUCHE

## TABLE DES MATIÈRES

INFORMATIONS DE SÉCURITÉ IMPORTANTES .....	02
ACTIVEZ VOTRE GARANTIE .....	03
GUIDE D'ASSEMBLAGE .....	04
UTILISATION DE VOTRE BLACKSTONE .....	06
DÉPANNAGE .....	10



Pour obtenir la dernière version de ce manuel, scannez ce code ou visitez [BlackstoneProducts.com/support](https://BlackstoneProducts.com/support)

### IMPORTANT:

Ce manuel d'instructions contient des informations importantes nécessaires au montage correct et à l'utilisation en toute sécurité de l'appareil.

Lisez et suivez tous les avertissements et instructions avant d'assembler et d'utiliser l'appareil.

Suivez tous les avertissements et instructions lors de l'utilisation de l'appareil.

Conservez ce manuel pour référence ultérieure.

Installateur/Assembleur : Laisser ces instructions au consommateur.

### CLÉ D'ALERTE DE SÉCURITÉ

#### ⚠ DANGER

Indique une situation dangereuse qui, si elle n'est pas évitée, entraînera la mort ou des blessures graves.

#### ⚠ ATTENTION

Indique une situation dangereuse qui, si elle n'est pas évitée, pourrait entraîner des blessures mineures ou modérées.

#### ⚠ AVERTISSEMENT

Indique une situation dangereuse qui, si elle n'est pas évitée, peut entraîner la mort ou des blessures graves.

#### AVIS

Indique des informations considérées comme importantes, mais non liées à un danger (par exemple, des messages liés à des dommages matériels).

# INFORMATIONS DE SÉCURITÉ IMPORTANTES

## ⚠ DANGER

- NE FAITES jamais fonctionner cet appareil sans surveillance.
- N'essayez jamais d'entretenir ou de réparer votre plaque chauffante lorsqu'elle est connectée.
- NE PAS brancher ou mettre sous tension cet appareil tant que toutes les instructions d'installation n'ont pas été lues et suivies. L'appareil risque d'être endommagé si ces instructions ne sont pas suivies.

## ⚠ AVERTISSEMENT

- Débranchez cet appareil avant de procéder au nettoyage ou à tout travail d'entretien sur cette plaque chauffante.
- Cet appareil est destiné à une utilisation en extérieur uniquement.

## GARANTIES IMPORTANTES

01. Lisez toutes les instructions avant utilisation.
02. Installation correcte - Assurez-vous que votre appareil est correctement installé et mis à la terre par un technicien qualifié.
03. Ne touchez pas les surfaces chaudes. Utilisez des poignées ou des boutons.
04. Ne laissez pas les enfants seuls - Les enfants ne doivent pas être laissés seuls ou sans surveillance dans la zone où l'appareil est utilisé. Ils ne doivent jamais être autorisés à s'asseoir ou à se tenir debout sur une quelconque partie de l'appareil.
05. N'UTILISEZ PAS votre appareil pour réchauffer ou chauffer la pièce.
06. N'UTILISEZ PAS l'appareil pour un usage autre que celui prévu.
07. Une surveillance étroite est nécessaire lorsqu'un appareil est utilisé par ou à proximité d'enfants.
08. Portez des vêtements appropriés - Ne portez jamais de vêtements amples ou suspendus pendant l'utilisation de l'appareil.
09. Entretien par l'utilisateur - Ne réparez ni ne remplacez aucune pièce de l'appareil à moins que cela ne soit spécifiquement recommandé dans le manuel. Toute autre réparation doit être confiée à un technicien qualifié.
10. NE PAS placer sur ou à proximité d'un brûleur à gaz ou électrique chaud, ou dans un four chauffé.
11. Stockage dans ou sur l'appareil - Les matériaux inflammables ne doivent pas être stockés dans un four ou à proximité d'éléments de surface.
12. Une extrême prudence doit être utilisée lors du déplacement d'un appareil contenant de l'huile chaude ou d'autres liquides chauds.
13. Débrancher de la prise lorsqu'il n'est pas utilisé et avant de le nettoyer. Laisser refroidir avant de mettre ou de retirer des pièces.
14. NE PAS utiliser d'eau sur les feux de graisse - Étouffer le feu ou les flammes ou utiliser un extincteur à poudre ou à mousse.
15. NE PAS TOUCHER LES APPAREILS DE SURFACE OU LES ZONES PROCHEs - Les appareils de surface peuvent être chauds même s'ils sont de couleur foncée. Les zones proches des unités de surface peuvent devenir suffisamment chaudes pour provoquer des brûlures. Pendant et après l'utilisation, ne touchez pas et ne laissez pas des vêtements ou d'autres matériaux inflammables entrer en contact avec les unités de surface ou les zones proches des unités jusqu'à ce qu'ils aient eu suffisamment de temps pour refroidir. Parmi ces zones figurent la plaque chauffante et la hotte.
16. ⚠ **ATTENTION:** ne rangez pas d'objets intéressants pour les enfants dans des armoires au-dessus d'une cuisinière ou sur le dossier d'une cuisinière - les enfants grimpaient sur la cuisinière pour atteindre des objets pourraient être gravement blessés.

## CONSERVEZ CES INSTRUCTIONS





# ACTIVEZ VOTRE GARANTIE

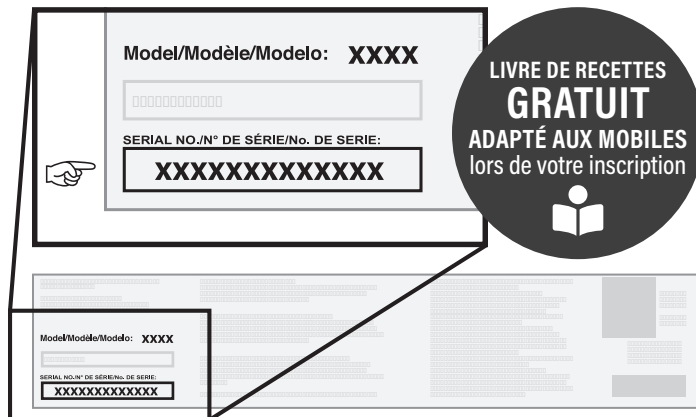
## PRÉSENTATION DE LA GARANTIE

La garantie d'un an de North Atlantic Imports, LLC couvre les pièces de rechange jusqu'à un an après la date d'achat.

La garantie de 90 jours de North Atlantic Imports, LLC couvre les frais de main-d'œuvre pour les pièces défectueuses jusqu'à quatre-vingt-dix jours après la date d'achat.

## POUR ACTIVER CETTE GARANTIE, VOUS DEVREZ FOURNIR:

☞ Numéro de série de votre appareil



Le numéro de série se trouve sur l'étiquette du fabricant de votre appareil. (L'étiquette du fabricant est un grand autocollant argenté apposé sur le corps de votre appareil.)



Enregistrez votre appareil sur  
[BlackstoneProducts.com/register](http://BlackstoneProducts.com/register)

## GARANTIE UN AN

North Atlantic Imports, LLC garantit ce produit contre les défauts de matériaux et de fabrication pendant une période d'un (1) an à compter de la date d'achat d'origine dans des conditions normales d'utilisation. Dans la mesure où de tels défauts se produisent, North Atlantic Imports, LLC, à sa discrétion, fournira la ou les pièces de rechange appropriées sans frais.

En aucun cas, North Atlantic Imports, LLC ne sera responsable des dommages consécutifs, indirects ou accessoires résultant de l'installation, de l'utilisation ou de la défaillance du produit.

Cette garantie NE COUVRE PAS:

- Frais d'inspection ou main-d'œuvre pour le remplacement de toute pièce défectueuse ;
- Défauts esthétiques qui n'affectent pas les performances ou l'intégrité du produit ;
- L'usure normale ;
- Dommages dus au vandalisme ; les catastrophes naturelles, y compris, mais sans s'y limiter, le vent, les tempêtes, la grêle, les inondations ;
- Assemblage, installation ou utilisation incorrects ;
- Décoloration ou décoloration du fini résultant d'une exposition à des produits chimiques, à des déversements, à de l'eau de piscine ou salée ;
- Corrosion / rouille.

Ce produit a été conçu pour la sécurité et la qualité. Toute modification apportée au produit d'origine pourrait compromettre son intégrité structurelle ou sa fonction et entraîner une défaillance du produit ou des blessures. En tant que tel, la modification de ce produit annule toutes les garanties.

Ce produit est garanti UNIQUEMENT POUR UN USAGE RÉSIDENTIEL et n'est pas destiné à des fins commerciales, contractuelles ou à d'autres fins non résidentielles. North Atlantic Imports, LLC décline toute autre représentation et garantie de quelque nature que ce soit, expresse ou implicite.

La garantie s'applique à l'acheteur d'origine et n'est pas transférable. Elle ne s'applique pas aux achats de modèles d'affichage, ou lorsque le produit est vendu en liquidation ou « tel quel ». Pour activer votre garantie, enregistrez votre produit sur [www.BlackstoneProducts.com/register](http://www.BlackstoneProducts.com/register).

North Atlantic Imports, LLC n'offre aucune garantie quant aux accessoires ou pièces non fournis avec. Cette garantie ne s'applique qu'à l'intérieur des frontières des États-Unis d'Amérique et du Canada. Cette garantie donne à l'acheteur d'origine des droits spécifiques, et l'acheteur d'origine peut également avoir d'autres droits, qui varient d'un état à l'autre.

Cette garantie est la garantie exclusive de North Atlantic Imports, LLC et remplace toutes les autres garanties expresses ou implicites. North Atlantic Imports, LLC se réserve le droit de changer ou de modifier cette garantie à tout moment..

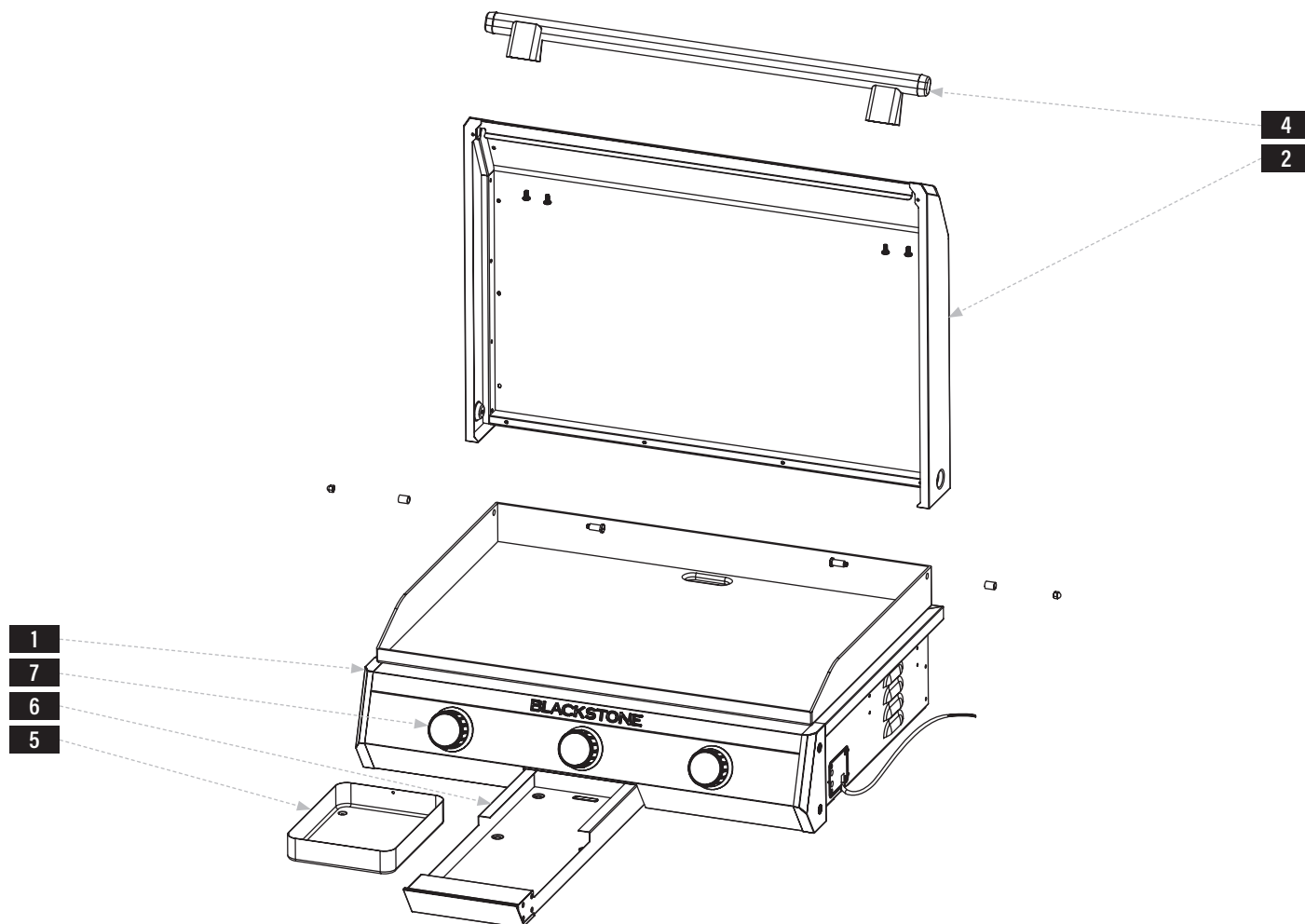
## GARANTIE DE 90 JOURS

North Atlantic Imports, LLC, à sa discrétion, couvrira les coûts de main-d'œuvre pour le remplacement de toute pièce défectueuse pendant une période de quatre-vingt-dix (90) jours à compter de la date d'achat d'origine dans des conditions normales d'utilisation.

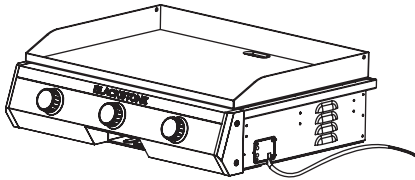
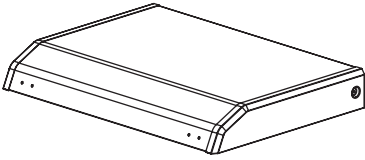
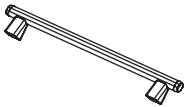
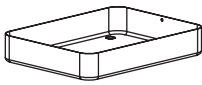
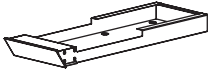

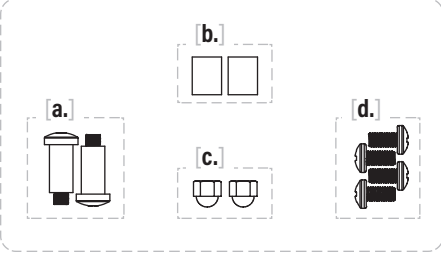
L'acheteur doit produire une preuve d'entretien par un électricien certifié. Tout entretien par une personne non certifiée annulera la garantie.

# GUIDE D'ASSEMBLAGE

## VUE ÉCLATÉE



## Liste des pièces

<p><b>1</b> Corps de plancha (1 pièce)</p> 	<p><b>2</b> Capuche (1 pièce)</p> 	<p><b>3</b> Ensemble de matériel</p> <ul style="list-style-type: none"> <li>a. Boulons à épaulement (2 pièces)</li> <li>b. Entretoises (2 pièces)</li> <li>c. Noix borgnes (2 pièces)</li> <li>d. Vis M6x16 (4 pièces)</li> </ul>		
<p><b>4</b> Poignée de capot (1 pièce)</p> 	<p><b>5</b> Pot à graisse (1 pièce)</p> 	<p><b>6</b> Tiroir à graisse (1 pièce)</p> 	<p><b>7</b> Boutons de commande (3 pièces)</p> 	



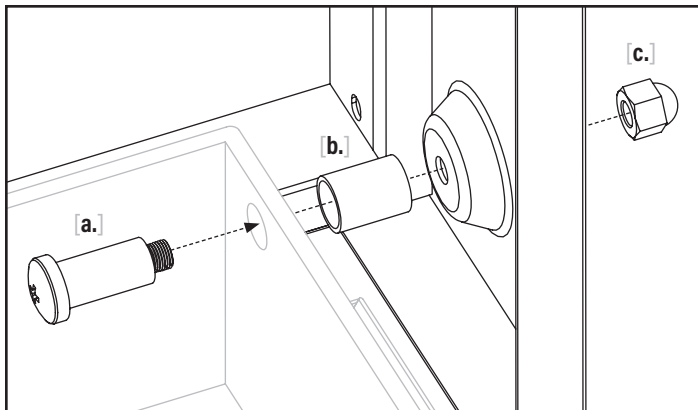
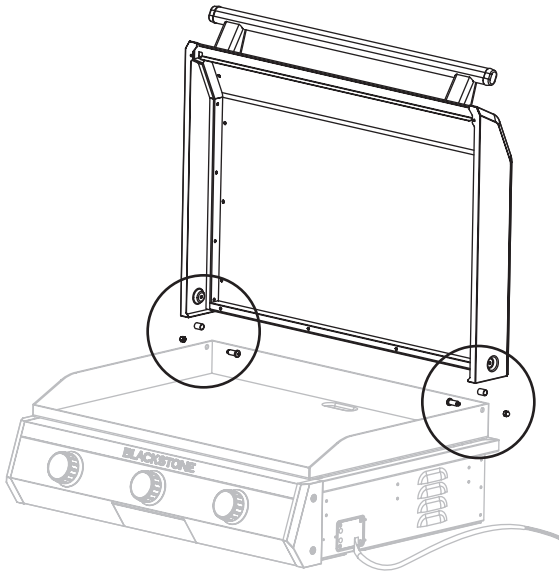
## INSTRUCTIONS DE MONTAGE

Trouvez une grande surface propre pour assembler votre appareil.  
Retirez tous les matériaux d'emballage avant l'assemblage.

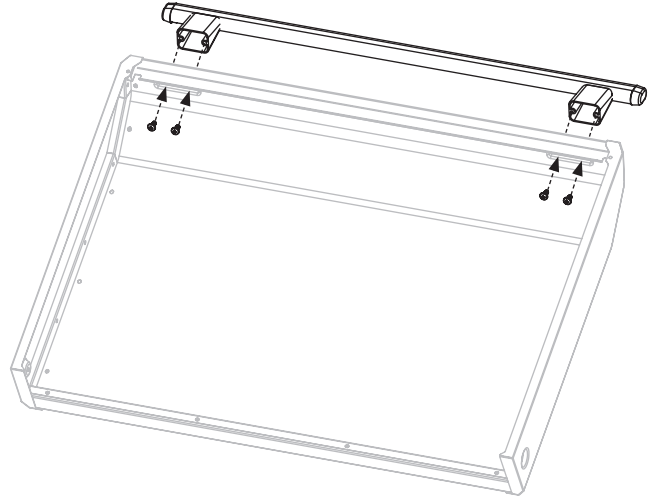
### ⚠ ATTENTION

Bouts pointus. Portez des gants lors de l'assemblage.

**ÉTAPE 02** Utilisez deux (2) boulons à épaulement [a.], deux (2) entretoises [b.] et deux (2) écrous borgnes [c.] pour fixer le capot au dessus de la plaque chauffante.



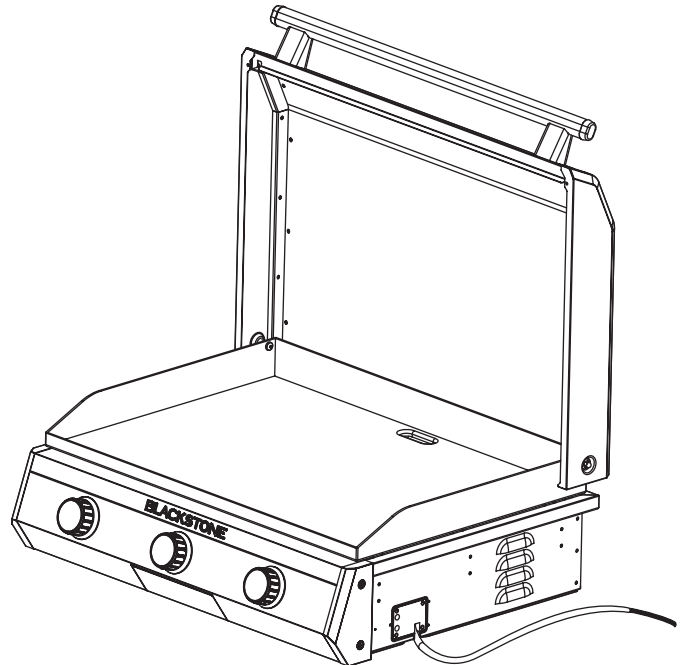
**ÉTAPE 01** Utilisez quatre (4) vis M6x16 [d.] pour fixer la poignée de la hotte à l'avant de la hotte.



**ÉTAPE 03** Passez à **UTILISATION DE VOTRE BLACKSTONE.**

### AVIS

NE PAS faire fonctionner avec le capot fermé.



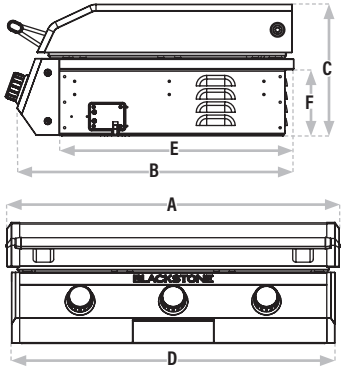
# UTILISATION DE VOTRE BLACKSTONE

## INSTRUCTIONS D'INSTALLATION

### DIMENSIONS

#### ⚠ AVERTISSEMENT

Électricien licencié requis pour l'installation et le raccordement des câblages.



#### DIMENSIONS DU CORPS DE LA PLAQUE CHAUFFANTE

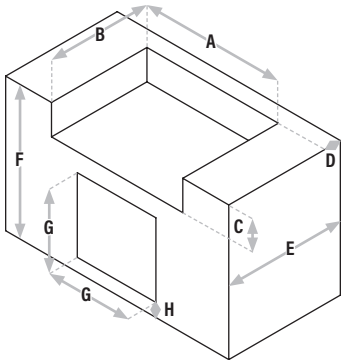
A: Largeur = 32 ¼ po (819,15 mm)  
 B: Profondeur = 24 ¾ po (629 mm)  
 C: Hauteur = 11 ¾ po (298 mm)

#### DIMENSIONS DE LA BOÎTE DE COMBUSTION

D: Largeur = 31 ⅝ po (797 mm)  
 E: Profondeur = 21 po (533 mm)  
 F: Hauteur = 5 ⅞ po (149 mm)

#### ⚠ AVERTISSEMENT

- Cette armoire ou ce boîtier intégré doit pouvoir supporter au moins 250 lb (113 kg) sans aucun problème.
- Les enceintes doivent être construites avec des matériaux résistants au feu.



#### DIMENSIONS DE LA CAVITÉ

A: Largeur minimale = 30 ⅝ po (770 mm)  
 Largeur maximale = 30 ⅞ po (778 mm)  
 B: Profondeur minimale = 20 ⅝ po (518 mm)  
 Profondeur maximale = 20 ⅞ po (525 mm)  
 C: Hauteur = 6 ⅞ po (156 mm)  
 D: Distance minimale du dos = 3 ⅝ po (86 mm)

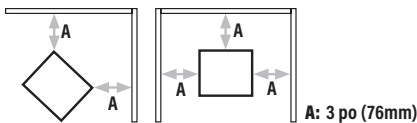
#### DIMENSIONS DE L'ARMOIRE

E: Profondeur = 23 ¾ po (604 mm)  
 F: Hauteur = 35 po (889 mm)

#### DIMENSIONS DE LA PORTE

G: Largeur et hauteur = 8 ¼ po (464 mm)  
 H: Distance du sol = 4 po (102 mm)

NE FAITES pas fonctionner cet appareil à moins de 3 po (76 mm) des côtés et de l'arrière de l'appareil par rapport à des matériaux combustibles.



### CONNECTER LES FILS

#### ⚠ AVERTISSEMENT

Électricien licencié requis pour l'installation et le raccordement à la prise électrique.

#### ⚠ AVERTISSEMENT

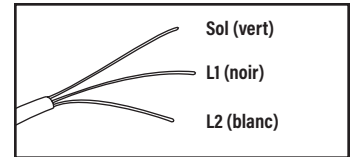
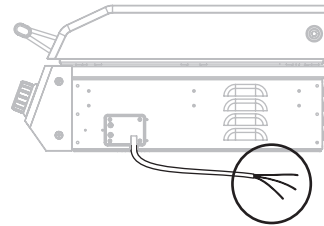
Cet appareil n'a pas de fusible. Protégez le circuit avec des fusibles ou un disjoncteur de taille appropriée.

#### ⚠ AVERTISSEMENT

Un sectionneur électrique doit être installé facilement accessible à l'opérateur de l'appareil.

#### ⚠ AVERTISSEMENT

Cet appareil doit être électriquement mis à la terre.



#### EXIGENCES ÉLECTRIQUES

240V 5400W



## INSTRUCTIONS D'ALLUMAGE

### POUR ALLUMER LA PLAQUE CHAUFFANTE:

**ÉTAPE 01** Réveillez l'appareil:

Tournez ou appuyez sur n'importe quel bouton de commande pour entrer en MODE VEILLE.

Tourner pour régler la température.

**ÉTAPE 02** Appuyez sur le bouton de commande pour PRÉCHAUFFER.

**Remarque:** Si la température est modifiée en dessous de la température actuelle, le voyant PREHEAT ne clignote pas.

**ÉTAPE 03** Prêt pour la CUISSON lorsque:

Le voyant PREHEAT s'éteint. Le buzzer émet trois bips.

**Remarque:** Appuyez sur le bouton pour arrêter le chauffage et revenir au MODE VEILLE.

### POUR ÉTEINDRE LA PLAQUE CHAUFFANTE :

**ÉTAPE 01** Appuyez sur n'importe quel bouton de commande et maintenez-le enfoncé pour accéder au MODE VEILLE.



#### MODE VEILLE

Le réglage de température par défaut est de 600 °F (315 °C). Le voyant de température est BLANC et le voyant de la flamme est orange.

La plage de température est de 120 °F à 600 °F (50 °C à 315 °C)



#### PRÉCHAUFFER

Le voyant «PREHEAT» commence à clignoter jusqu'à ce que la température atteigne la température réglée.



#### CUISSON

Le voyant de température est ORANGE pendant le mode de chauffage.



#### MODE VEILLE

L'appareil entrera également en mode veille lorsqu'aucune des 3 zones de chauffage ne fonctionne ET que l'appareil est resté inactif pendant 30 minutes.

## CUISINER SUR VOTRE BLACKSTONE

### ⚠ DANGER

Les objets inflammables peuvent s'enflammer spontanément s'ils sont placés à proximité de l'appareil. Ne placez pas d'objets inflammables tels que des bombes aérosols, des serviettes huileuses ou grasses près de la surface de cuisson.

### ⚠ ATTENTION

Cet appareil sera chaud pendant et après utilisation. Utilisez des ustensiles à long manche et des gants de cuisine/ gants de protection lors de la manipulation de pièces potentiellement chaudes pour vous protéger contre les brûlures et les éclaboussures.

### AVIS

Ne rangez aucun article à moins de 8 cm (3 po) de la surface de cuisson pendant son utilisation.

### RECETTES VIDÉO

Trouvez des recettes et des conseils de cuisine sur:

[BlackstoneProducts.com/blogs/recipes](https://www.blackstoneproducts.com/blogs/recipes)

[youtube.com/c/BlackstoneGriddles](https://www.youtube.com/c/BlackstoneGriddles)

[facebook.com/blackstoneproducts](https://www.facebook.com/blackstoneproducts)



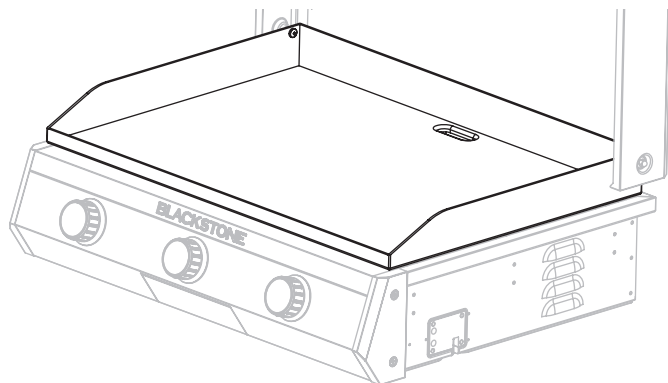
**PANCAKES AUX FRAISES ET À LA CRÈME**  
Petit-déjeuner

**BURGER AUX OIGNONS FRITS DE L'OKLAHOMA**  
Déjeuner



**TACOS BORRACHOS**  
Dîner

# INSTRUCTIONS D'ASSAISONNEMENT POUR PLAQUE CHAUFFANTE



## LAVER LE DESSUS DE VOTRE PLANCHA AVANT LA PREMIÈRE UTILISATION

### AVIS

Le savon ruinerait une plaque chauffante assaisonnée. C'est la seule fois où vous devez utiliser du savon sur la surface de cuisson de la plaque chauffante.

**ÉTAPE 01** Lavez la surface de cuisson de la plaque chauffante avec de l'eau chaude savonneuse.

**ÉTAPE 02** Rincez et séchez complètement.



### DIDACTICIEL VIDÉO

Comment assaisonner une nouvelle plaque chauffante Blackstone

▶ [youtube.com/watch?v=VspmDVnj2pl&t=3s](https://youtube.com/watch?v=VspmDVnj2pl&t=3s)

**ÉTAPE 01** Essuyez tous les débris du dessus de la plaque chauffante.



**ÉTAPE 02** Réglez votre plaque chauffante à feu vif jusqu'à ce que le dessus de votre plaque chauffante change de couleur. (~10 minutes)



**ÉTAPE 03** Utilisez des pinces pour tenir une serviette en papier ou un chiffon en coton et étalez 2 à 3 cuillères à soupe de votre huile d'assaisonnement sur tout le dessus de la plaque chauffante.

Lorsque vous assaisonnez le dessus de votre plaque chauffante, n'oubliez pas d'utiliser une couche d'huile fine et uniforme - plus la couche d'huile est fine, plus il sera facile de la brûler.



**ÉTAPE 04** Le dessus de la plaque chauffante est prêt pour une autre couche d'huile lorsqu'il cesse de fumer. Répétez L'ÉTAPE 03 3 à 4 fois ou jusqu'à ce que la surface de la plaque chauffante soit noire.



## QUELLE HUILE EST PRÉFÉRABLE D'UTILISER?

- Blackstone Seasoning and Cast Iron Conditioner.
- Toute huile de cuisson à base de plantes.
- Graisse animale fondue sans additifs.



## DÉPANNAGE DE L'ASSAISONNEMENT

### IL Y A UN RÉSIDU BRUNÂTRE SUR LA SURFACE DE LA PLAQUE CHAUFFANTE:

#### CAUSES POSSIBLES

- Trop d'huile a été utilisée.
- Vous avez éteint le chauffage trop tôt.

#### LA SOLUTION

**ÉTAPE 01** Allumez votre plaque chauffante à feu vif et laissez-la chauffer pendant 10 à 15 minutes.

**ÉTAPE 02** Grattez autant que possible l'huile épaissie et partiellement cuite.

**ÉTAPE 03** Réassaisonnez avec une très fine couche d'huile.

### LES BORDS DE LA SURFACE DE LA PLAQUE CHAUFFANTE NE SONT PAS NOIRS:

Après avoir utilisé votre plaque chauffante pour plusieurs cuisiniers, l'assaisonnement s'uniformisera et s'améliorera.

## PRÉVENTION DE LA ROUILLE

Utilisez fréquemment votre plancha. Chaque fois que vous cuisinez, vous ajoutez de l'assaisonnement, ce qui rend la rouille moins probable.

### AVIS

Si vous vivez dans un climat humide ou côtier, votre plancha peut nécessiter des assaisonnements plus fréquents entre les utilisations.

Si de la rouille apparaît sur la surface de la plaque chauffante, frottez-la avec de la laine d'acier, du papier de verre à faible grain ou la **Blackstone Pumice Stone** et ré-assaisonnez la surface.



### DIDACTICIEL VIDÉO

Récupération de votre plaque chauffante Blackstone  
▶ [youtube.com/watch?v=thPE2IgnSil](https://youtube.com/watch?v=thPE2IgnSil)





## NETTOYER LE DESSUS DE VOTRE PLANCHA

Nettoyez le dessus de la plaque chauffante après chaque utilisation, pendant qu'il est encore chaud.

- N'UTILISEZ PAS de savon sur le dessus de la plaque chauffante. Cela détruira l'assaisonnement de la plaque chauffante.



### DIDACTICIEL VIDÉO

Comment nettoyer votre plaque chauffante Blackstone  
[youtube.com/watch?v=-ledu9z6NPY](https://www.youtube.com/watch?v=-ledu9z6NPY)

**ÉTAPE 01** Poussez les débris alimentaires dans le bac à graisse avec une spatule ou un grattoir métallique droit.



**ÉTAPE 02** Essuyez le dessus de la plaque chauffante avec une serviette en papier.



**ÉTAPE 03** Appliquez quelques cuillères à soupe d'eau sur la surface de la plaque chauffante, puis raclez l'eau et les débris dans le bac à graisse. (Pour les résidus alimentaires collés, utilisez un peu de gros sel.)



**ÉTAPE 04** Essuyez à nouveau avec une serviette en papier et séchez complètement.



**ÉTAPE 05** Appliquez une fine couche d'huile de cuisson pour maintenir l'assaisonnement et protéger le dessus de la plaque chauffante.

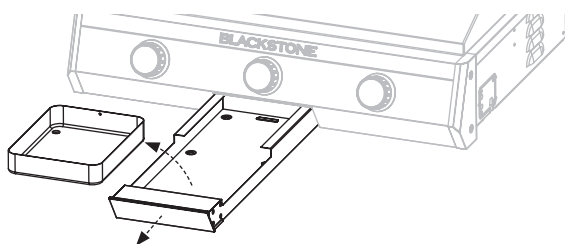


## VIDEZ VOTRE GODET À GRAISSE

Le bac à graisse doit être retiré et vidé après chaque utilisation.

### ⚠ ATTENTION

Le bac à graisse sera chaud pendant et après l'utilisation. Ne retirez pas le bac à graisse tant que la plaque chauffante n'est pas complètement refroidie.



## NETTOYAGE DE VOTRE APPAREIL

### ⚠ AVERTISSEMENT

L'accumulation de graisse peut provoquer un incendie. Nettoyez toute partie de l'appareil qui devient chaude et qui subit une accumulation de graisse après chaque utilisation.

### ⚠ ATTENTION

Tout le nettoyage et l'entretien doivent être effectués lorsque l'appareil est froid et que tout est éteint.

- N'UTILISEZ PAS de tampon abrasif sur les zones comportant des graphiques.
- Si une brosse à poils est utilisée pour nettoyer l'une des surfaces de cuisson, assurez-vous qu'aucun poil lâche ne reste sur les surfaces de cuisson avant la cuisson.

### CORPS DE L'APPAREIL:

Laver à l'eau tiède savonneuse et essuyer immédiatement avec un chiffon non abrasif. (Ne laissez pas les agents de nettoyage reposer sur une surface poreuse pendant une période prolongée.)

### AVIS

N'UTILISEZ PAS de Citrisol, de nettoyeurs abrasifs ou de nettoyant concentré sur l'appareil. Cela peut entraîner des dommages et une défaillance des pièces.

# DÉPANNAGE

## DÉPANNAGE DE LA PLAQUE CHAUFFANTE ÉLECTRIQUE

### LA PLAQUE CHAUFFANTE NE CHAUFFE PAS:

#### CAUSES POSSIBLES

Disjoncteur OFF ou déclenché.

#### LA SOLUTION

Réinitialisez le disjoncteur.

### UNE SECTION NE CHAUFFE PAS:

#### CAUSES POSSIBLES

Appuyez et tournez le bouton de commande pour régler la température.

#### LA SOLUTION

Press and turn control knob to set temperature.

Contactez un électricien agréé pour les réparations.

Contact a licensed electrician for repairs.

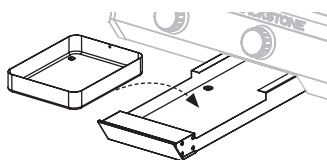
### LA PLAQUE CHAUFFANTE DÉGOULINE DE GRAISSE

#### CAUSES POSSIBLES

Tiroir à graisse plein ou non installé.

#### LA SOLUTION

Vider le bac à graisse.  
Remettez le godet à graisse dans le tiroir à graisse.



Composant interne endommagé.

Contactez un électricien agréé pour les réparations.

**Remarque:** Il n'y a aucun composant réparable par l'utilisateur à l'intérieur de la plaque chauffante. Dans tous les cas de dommages et de dysfonctionnements, contactez un électricien agréé pour les réparations. L'entretien par un électricien non agréé annulera toutes les garanties.

## SERVICE CLIENTS

Visitez-nous en ligne sur [BlackstoneProducts.com/support](https://BlackstoneProducts.com/support) pour obtenir de l'aide concernant l'utilisation de l'appareil, les pièces de rechange ou votre garantie.

### HEURES D'OUVERTURE DU SERVICE CLIENT:



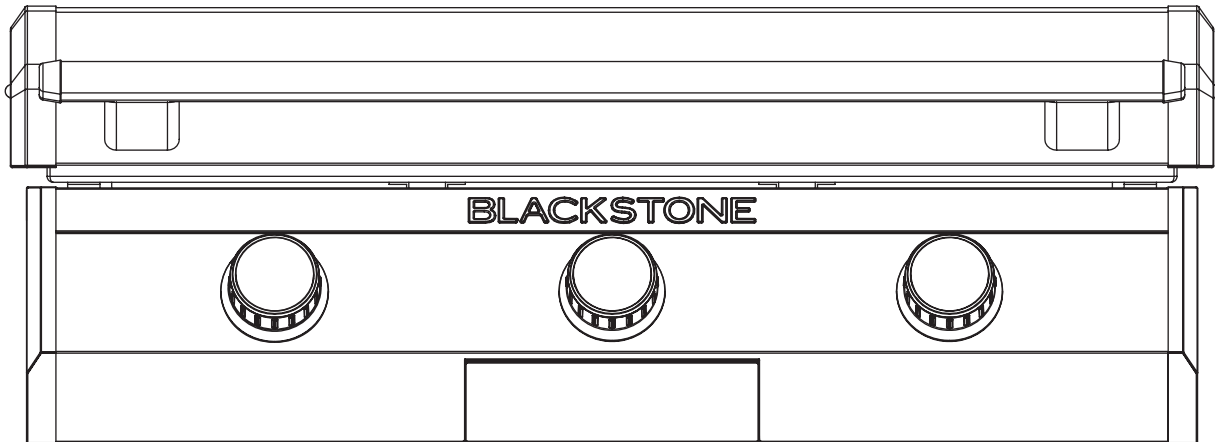
Lundi vendredi  
7h00 - 17h00 (heure des montagnes)



Cette page a été intentionnellement laissée vierge



Ce produit peut être couvert par un ou plusieurs brevets américains et/ou internationaux délivrés et peut inclure des demandes de brevet en instance. Pour plus d'informations, rendez-vous sur: [BlackstoneProducts.com/patents](https://BlackstoneProducts.com/patents)



MANUAL DEL PROPIETARIO

# PLANCHA ELÉCTRICA DE 30" DROP-IN CON CAPUCHA

## TABLA DE CONTENIDO

INFORMACION DE SEGURIDAD IMPORTANTE .....	02
ACTIVA TU GARANTÍA .....	03
GUÍA DE MONTAJE .....	04
USANDO SU BLACKSTONE .....	06
SOLUCIÓN DE PROBLEMAS .....	10



Para obtener la última versión de este manual, escanee este código o visite [BlackstoneProducts.com/support](https://BlackstoneProducts.com/support)

### IMPORTANTE:

Este manual de instrucciones contiene información importante necesaria para el correcto montaje y uso seguro del aparato.

Lea y siga todas las advertencias e instrucciones antes de ensamblar y usar el aparato.

Siga todas las advertencias e instrucciones cuando utilice el aparato.

Guarde este manual para referencia futura.

Instalador/Ensamblador: Deje estas instrucciones con el consumidor.

### CLAVE DE ALERTA DE SEGURIDAD

#### ⚠ PELIGRO

Indica una situación peligrosa que, si NO SE evita, provocará la muerte o lesiones graves.

#### ⚠ ATENCIÓN

Indica una situación peligrosa que, si NO SE evita, podría provocar lesiones leves o moderadas.

#### ⚠ ADVERTENCIA

Indica una situación peligrosa que, si NO SE evita, podría provocar la muerte o lesiones graves.

#### AVISO

Indica información que se considera importante, pero no relacionada con peligros (por ejemplo, mensajes relacionados con daños a la propiedad).

# INFORMACION DE SEGURIDAD IMPORTANTE

## ⚠ PELIGRO

- NUNCA opere este aparato sin supervisión.
- NUNCA intente dar servicio o reparar su plancha mientras está conectada.
- NO conecte ni encienda este aparato hasta que haya leído y seguido todas las instrucciones de instalación. Se producirán daños en el aparato si NO SE siguen estas instrucciones.

## ⚠ ADVERTENCIA

- Desconecte esta unidad antes de realizar cualquier trabajo de limpieza o servicio en esta unidad de plancha.
- Este aparato es solo para uso en exteriores.

## CONSIDERACIONES IMPORTANTES

01. Lea todas las instrucciones antes de usar.
02. Instalación adecuada: asegúrese de que su electrodoméstico esté correctamente instalado y conectado a tierra por un técnico calificado.
03. No toque las superficies calientes. Utilice manijas o perillas.
04. No deje a los niños solos: NO SE debe dejar a los niños solos o desatendidos en el área donde se usa el aparato. Nunca se les debe permitir sentarse o pararse sobre ninguna parte del aparato.
05. NO UTILICE su aparato para calentar o calentar la habitación.
06. NO UTILICE el aparato para otro uso que no sea el previsto.
07. Es necesaria una estrecha supervisión cuando cualquier aparato es utilizado por niños o cerca de ellos.
08. Use ropa adecuada - Nunca se deben usar prendas holgadas o que cuelguen mientras se usa el electrodoméstico.
09. Servicio del usuario: no repare ni reemplace ninguna pieza del electrodoméstico a menos que se recomiende específicamente en el manual. Todos los demás servicios deben ser referidos a un técnico calificado.
10. No lo coloque sobre o cerca de un quemador de gas o eléctrico caliente, ni en un horno caliente.
11. Almacenamiento dentro o sobre el electrodoméstico: los materiales inflamables no deben almacenarse en un horno o cerca de unidades de superficie.
12. Se debe tener mucho cuidado al mover un aparato que contenga aceite caliente u otros líquidos calientes.
13. Desconecte del tomacorriente cuando no esté en uso y antes de limpiarlo. Deje que se enfríe antes de poner o quitar piezas.
14. NO USE agua en incendios de grasa. Apague el fuego o la llama o use un extinguidor de polvo químico seco o tipo espuma.
15. NO TOQUE LAS UNIDADES DE SUPERFICIE NI LAS ÁREAS CERCANAS A LAS UNIDADES: las unidades de superficie pueden estar calientes aunque sean de color oscuro. Las áreas cercanas a las unidades de superficie pueden calentarse lo suficiente como para causar quemaduras. Durante y después del uso, no toque ni permita que la ropa u otros materiales inflamables entren en contacto con las unidades de superficie o las áreas cercanas a las unidades hasta que hayan tenido suficiente tiempo para enfriarse. Entre estas áreas se encuentran la placa de la plancha y la campana.
16. ⚠ **ATENCIÓN:** No almacene artículos de interés para los niños en gabinetes encima de una estufa o en la protección trasera de una estufa; los niños que trepan sobre la estufa para alcanzar los artículos podrían lesionarse gravemente.

## GUARDA ESTAS INSTRUCCIONES



# ACTIVA TU GARANTÍA

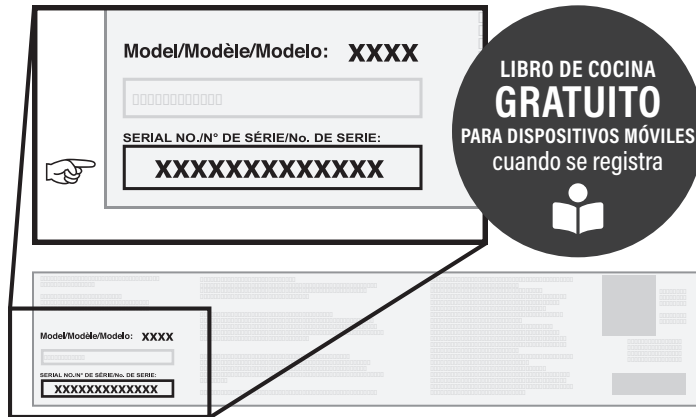
## DESCRIPCIÓN GENERAL DE LA GARANTÍA

La garantía de 1 año de North Atlantic Imports, LLC cubre las piezas de repuesto hasta un año después de la fecha de compra.

La garantía de 90 días de North Atlantic Imports, LLC cubre los costos de mano de obra por piezas defectuosas hasta noventa días después de la fecha de compra.

## PARA HABILITAR ESTA GARANTÍA, DEBERÁ PROPORCIONAR:

 Número de serie de su electrodoméstico



El número de serie se puede encontrar en la etiqueta del fabricante de su electrodoméstico.  
(La etiqueta del fabricante es una calcomanía plateada grande que se encuentra en el cuerpo de su electrodoméstico).



Registre su electrodoméstico en [BlackstoneProducts.com/register](http://BlackstoneProducts.com/register)

## GARANTÍA DE UN AÑO

North Atlantic Imports, LLC garantiza este producto contra defectos en materiales y mano de obra por un período de un (1) año a partir de la fecha original de compra bajo uso normal. En la medida en que ocurran tales defectos, North Atlantic Imports, LLC, a su discreción, proporcionará la(s) pieza(s) de reemplazo apropiadas sin cargo.

En ningún caso, North Atlantic Imports, LLC será responsable por daños consecuentes, indirectos o incidentales que resulten de la instalación, uso o falla del producto.

Esta garantía NO cubre:

- Costos de inspección o mano de obra para el reemplazo de cualquier pieza defectuosa;
- Defectos cosméticos que no afectan el rendimiento o la integridad del producto;
- Uso y desgaste normal;
- Daños por vandalismo; actos de la naturaleza, incluidos, entre otros, viento, tormentas, granizo, inundaciones;
- Ensamblaje, instalación o uso inadecuado;
- Decoloración o decoloración del acabado como resultado de la exposición a productos químicos, derrames, piscina o agua salada;
- Corrosión/óxido.

Este producto ha sido diseñado para la seguridad y la calidad. Cualquier modificación realizada al producto original podría comprometer su integridad estructural o función y podría provocar fallas en el producto o lesiones personales. Como tal, la modificación de este producto anula todas las garantías.

Este producto está garantizado para USO RESIDENCIAL ÚNICAMENTE, y no es para fines comerciales, contractuales u otros fines no residenciales. North Atlantic Imports, LLC renuncia a todas las demás representaciones y garantías de cualquier tipo, expresas o implícitas.

La garantía se aplica al comprador original y no es transferible. NO SE aplica a las compras de modelos de exhibición, o cuando el producto se vende en liquidación o "tal cual". Para activar su garantía, registre su producto en [www.BlackstoneProducts.com/register](http://www.BlackstoneProducts.com/register).

North Atlantic Imports, LLC no ofrece garantía alguna con respecto a los accesorios o piezas que NO SE suministren con él. Esta garantía se aplicará únicamente dentro de los límites de los Estados Unidos de América y Canadá. Esta garantía otorga derechos específicos al comprador original, y el comprador original también puede tener otros derechos, que varían de un estado a otro.

Esta garantía es la garantía exclusiva de North Atlantic Imports, LLC y sustituye a todas las demás garantías expresas o implícitas. North Atlantic Imports, LLC se reserva el derecho de cambiar o modificar esta garantía en cualquier momento.

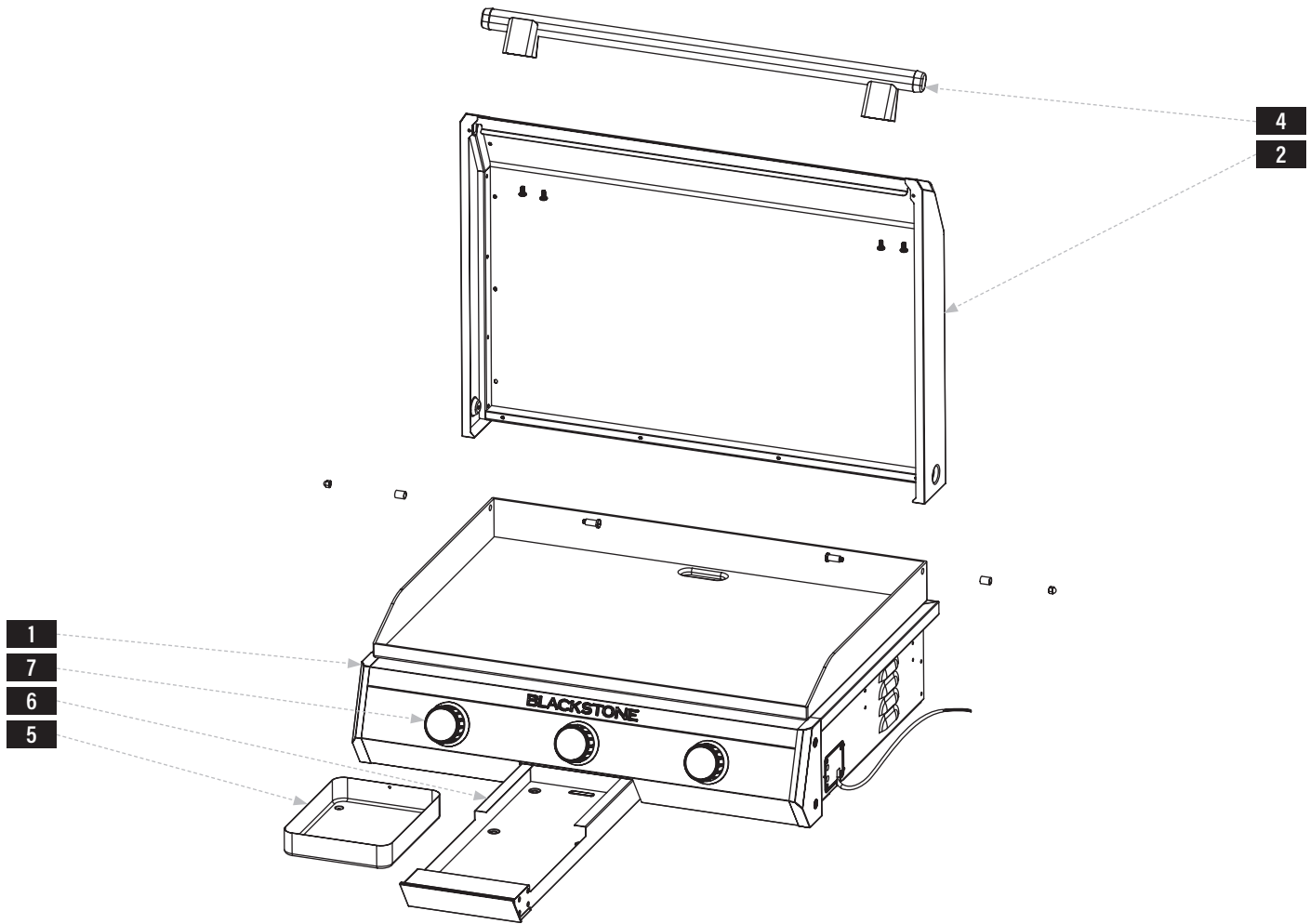
## GARANTÍA DE 90 DÍAS

North Atlantic Imports, LLC, a su discreción, cubrirá los costos de mano de obra para el reemplazo de cualquier pieza defectuosa durante un período de noventa (90) días a partir de la fecha original de compra en condiciones normales de uso.

El comprador debe presentar una prueba de mantenimiento realizada por un electricista certificado. Cualquier mantenimiento realizado por una persona no certificada anulará la garantía.

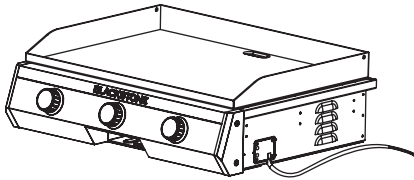
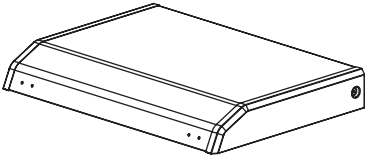
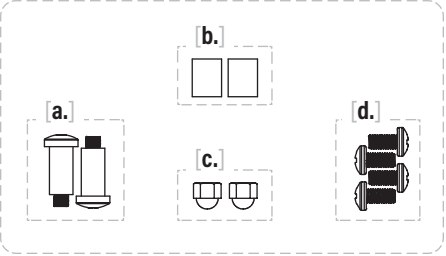
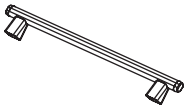
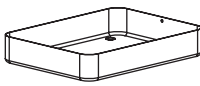
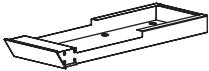

# GUÍA DE MONTAJE

## VISTA EN DESPIECE ORDENADO



ESPAÑOL

## LISTA DE PARTES

<p><b>1</b> Cuerpo de plancha (1 pieza)</p> 	<p><b>2</b> Capucha (1 pieza)</p> 	<p><b>3</b> Paquete de hardware</p> <ul style="list-style-type: none"> <li>a. Pernos de hombro (2 piezas)</li> <li>b. Espaciadores (2 piezas)</li> <li>c. Nueces de bellota (2 piezas)</li> <li>d. Tornillos M6x16 (4 piezas)</li> </ul> 	
<p><b>4</b> Asa de capota (1 pieza)</p> 	<p><b>5</b> Copa de grasa (1 pieza)</p> 	<p><b>6</b> Cajón para grasa (1 pieza)</p> 	<p><b>7</b> Perillas de control (3 piezas)</p> 



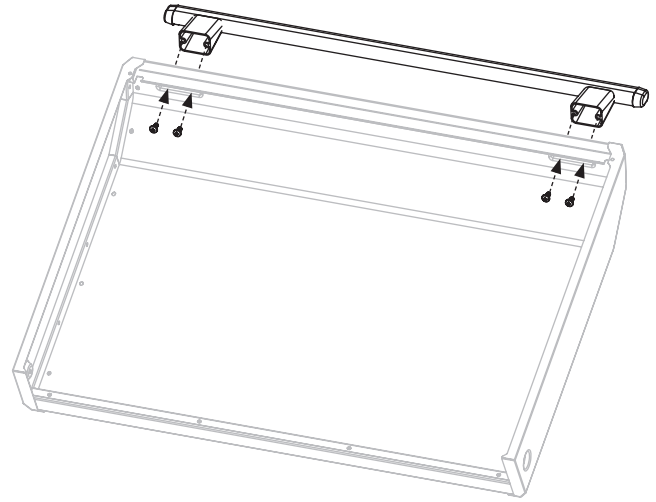
# INSTRUCCIONES DE MONTAJE

Encuentre un área grande y limpia para ensamblar su electrodoméstico.  
Retire todo el material de embalaje antes de ensamblar.

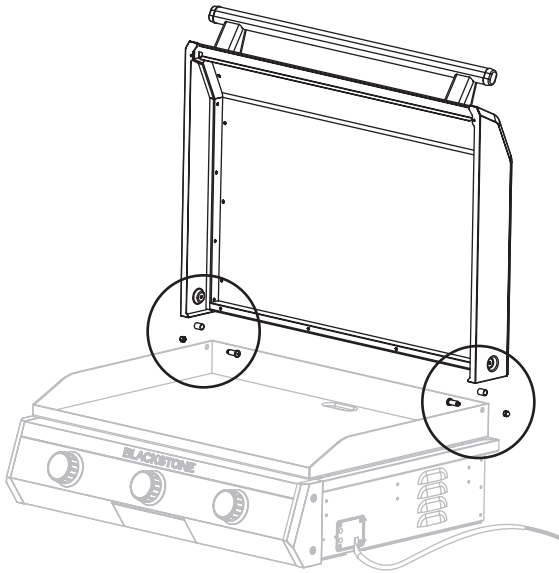
## ⚠ ATENCIÓN

Bordes afilados. Use guantes durante el montaje.

**PASO 01** Use cuatro (4) tornillos M6x16 [d.] para sujetar la manija de la campana al frente de la campana.



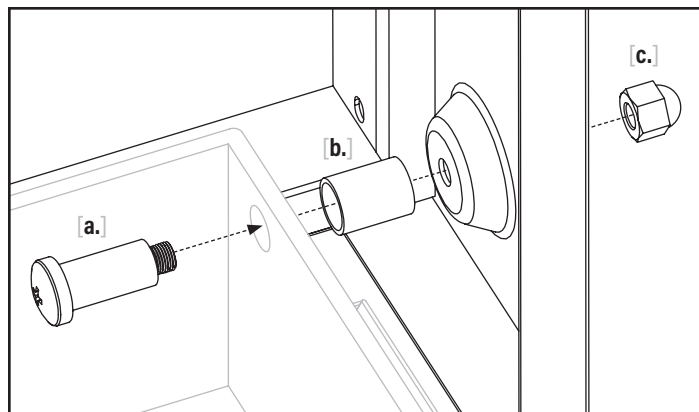
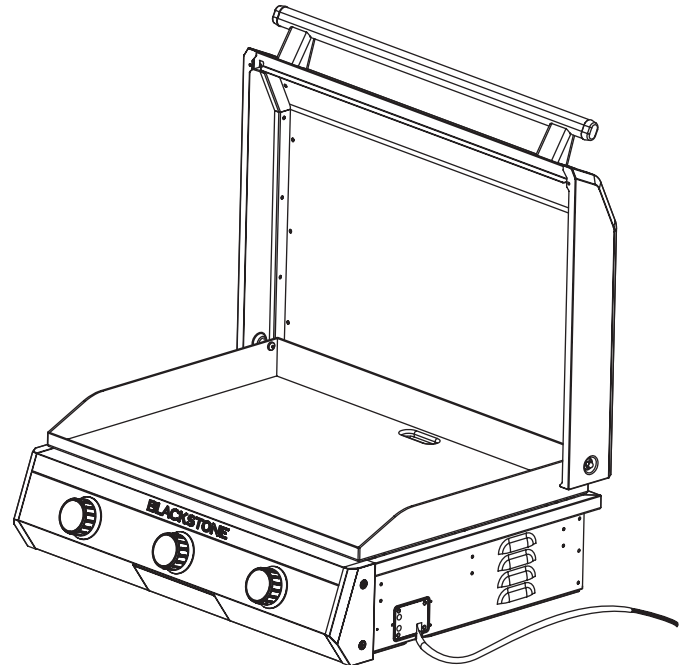
**PASO 02** Use dos (2) pernos con resalte [a.], dos (2) espaciadores [b.] y dos (2) tuercas ciegas [c.] para sujetar la cubierta a la parte superior de la parrilla.



**PASO 03** Continúe con **USANDO SU BLACKSTONE.**

## AVISO

NO OPERE con el capó cerrado.



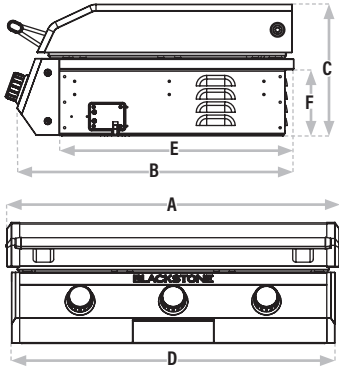
# USANDO SU BLACKSTONE

## INSTRUCCIONES DE INSTALACIÓN

### DIMENSIONES

#### ⚠ ADVERTENCIA

Se requiere electricista matriculado para la instalación y conexión de los cableados.



#### DIMENSIONES DEL CUERPO DE LA PLANCHA

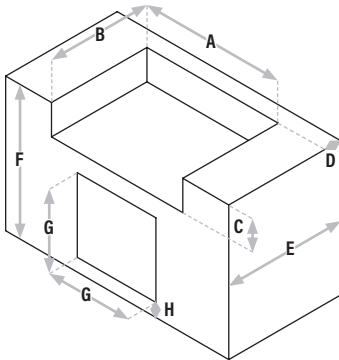
A: Ancho = 32 1/4 pulg. (819,15 mm)  
 B: Profundidad = 24 3/4 pulg. (629 mm)  
 C: Altura = 11 3/4 pulg. (298 mm)

#### DIMENSIONES DE LA CAJA DE GRABACIÓN

D: Ancho = 31 3/4 pulg. (797 mm)  
 E: Profundidad = 21 pulg. (533 mm)  
 F: Altura = 5 7/8 pulg. (149 mm)

#### ⚠ ADVERTENCIA

- Este gabinete o gabinete integrado debe poder soportar al menos 250 lb (113 kg) sin ningún problema.
- Los recintos deben estar construidos con materiales resistentes al fuego.



#### DIMENSIONES DE LA CAVIDAD

A: Ancho mínimo = 30 3/8 pulg. (770 mm)  
 Ancho máximo = 30 3/8 pulg. (778 mm)  
 B: Profundidad mínima = 20 3/8 pulg. (518 mm)  
 Profundidad máxima = 20 3/8 pulg. (525 mm)  
 C: Altura = 6 1/8 pulg. (156 mm)  
 D: Distancia mínima desde la parte posterior = 3 3/8 pulg. (86 mm)

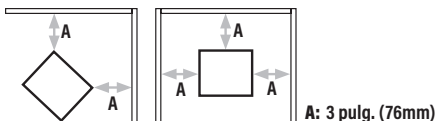
#### DIMENSIONES DEL GABINETE

E: Profundidad = 23 3/4 pulg. (604 mm)  
 F: Altura = 35 pulg. (889 mm)

#### DIMENSIONES DE LA PUERTA

G: Ancho y alto = 8 1/4 pulg. (464 mm)  
 H: Distancia desde el suelo = 4 pulg. (102 mm)

NO OPERE este aparato a menos de 3 pulgadas (76 mm) de los lados y la parte posterior del aparato a materiales combustibles.



### CONECTANDO LOS CABLES

#### ⚠ ADVERTENCIA

Se requiere electricista matriculado para la instalación y conexión a la toma de corriente.

#### ⚠ ADVERTENCIA

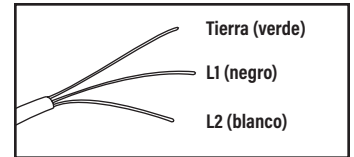
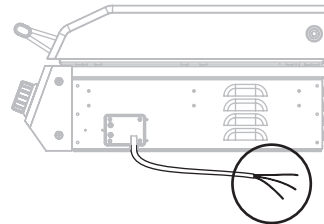
Este aparato no tiene fusibles. Proteja el circuito con fusibles o disyuntores del tamaño adecuado.

#### ⚠ ADVERTENCIA

Se debe instalar una desconexión eléctrica de fácil acceso para el operador del aparato.

#### ⚠ ADVERTENCIA

Este aparato debe estar conectado a tierra eléctricamente.



#### REQUISITOS ELÉCTRICOS

240V 5400W



# INSTRUCCIONES DE ENCENDIDO

## PARA ENCENDER LA PLANCHA:

### PASO 01 Activar el aparato:

Gire o presione cualquier perilla de control para ingresar al MODO DE ESPERA. Gire para establecer la temperatura.

### PASO 02 Presione la perilla de control para PRECALENTAR.

**Nota:** Si la temperatura se cambia a una temperatura inferior a la actual, la luz de PRECALENTAMIENTO no parpadeará.

### PASO 03 Listo para COCINAR cuando:

La luz de PRECALENTAMIENTO se apaga. El zumbador suena tres veces.

**Nota:** Presione la perilla para detener el calentamiento y regresar al MODO DE ESPERA.

## PARA APAGAR LA PLANCHA:

**PASO 01** Mantenga presionada cualquier perilla de control para ingresar al MODO DORMIR.



### MODO DE ESPERA

El ajuste de temperatura predeterminado es 600 °F (315 °C). La luz de temperatura es BLANCA y la luz de llama es naranja.

El rango de temperatura es de 120 °F a 600 °F (50 °C a 315 °C)



### PRECALENTAR

La luz "PREHEAT" comienza a parpadear hasta que la temperatura alcanza la temperatura establecida.



### COCINANDO

La luz de temperatura es NARANJA durante el modo de calefacción.



### MODO DE SUEÑO

El electrodoméstico también entrará en modo de suspensión cuando ninguna de las 3 zonas de calefacción esté en funcionamiento, Y la unidad se haya dejado inactiva durante 30 minutos.

# COCINAR EN TU BLACKSTONE

## ⚠ PELIGRO

Los artículos inflamables pueden entrar en combustión espontáneamente si se colocan cerca del aparato. No coloque artículos inflamables como envases de aerosol, toallas aceitosas o grasientas cerca de la superficie de cocción.

## ⚠ ATENCIÓN

Este aparato estará caliente durante y después de su uso. Utilice utensilios de mango largo y manoplas/guantes protectores cuando manipule piezas potencialmente calientes para protegerse contra quemaduras y salpicaduras.

## AVISO

No guarde ningún artículo a menos de 8 cm (3 pulgadas) de la superficie de cocción mientras está en uso.

## VÍDEO RECETAS

Encuentre recetas y consejos de cocina en:

[BlackstoneProducts.com/blogs/recipes](https://www.blackstoneproducts.com/blogs/recipes)

[youtube.com/c/BlackstoneGriddles](https://www.youtube.com/c/BlackstoneGriddles)

[@blackstoneproducts](https://www.facebook.com/blackstoneproducts)



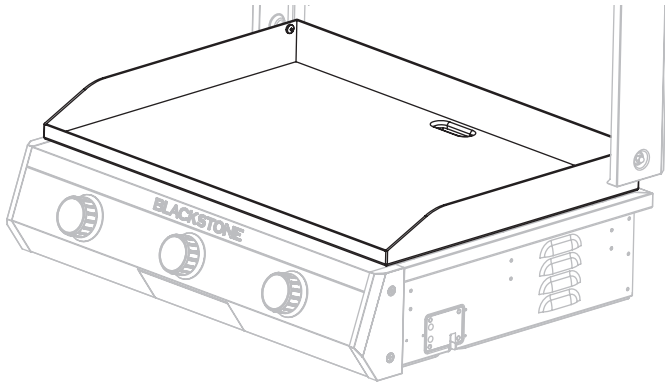
**TORTITAS DE FRESAS Y CREMA**  
Desayuno

**HAMBURGUESA DE CEBOLLA FRITA DE OKLAHOMA**  
Almuerzo



**TACOS BORRACHOS**  
Cena

# INSTRUCCIONES PARA SAZONAR LA PLANCHA



## LAVADO DE LA PARTE SUPERIOR DE LA PLANCHA ANTES DEL PRIMER USO

### AVISO

El jabón arruinará una plancha experimentada. Esta es la única vez que debe usar jabón en la superficie de cocción de la plancha.

**PASO 01** Lave la superficie de cocción de la plancha con agua caliente y jabón.

**PASO 02** Enjuague y seque completamente.



### VIDEOTUTORIAL

Cómo sazonar una nueva plancha Blackstone  
[youtube.com/watch?v=VspmDVnj2pl&t=3s](https://www.youtube.com/watch?v=VspmDVnj2pl&t=3s)

**PASO 01** Limpie cualquier residuo de la parte superior de la plancha.



**PASO 02** Configura tu plancha a fuego alto hasta que la parte superior de la plancha cambie de color. (~10 minutos)



**PASO 03** Use pinzas para sostener una toalla de papel o un paño de algodón y extienda 2-3 cucharadas de su aceite de condimento en toda la parte superior de la plancha. Cuando sazone la parte superior de su plancha, recuerde usar una capa delgada y uniforme de aceite: cuanto más delgada sea la capa de aceite, más fácil será quemarla.



**PASO 04** La parte superior de la plancha está lista para otra capa de aceite cuando deja de humear. Repita el PASO 03 3-4 veces, o hasta que la superficie de la plancha esté negra.



## ¿QUÉ ACEITE ES MEJOR USAR?

- Blackstone Seasoning and Cast Iron Conditioner.
- Cualquier aceite de cocina de origen vegetal.
- Grasa animal fundida sin aditivos.



## SOLUCIÓN DE PROBLEMAS DE CONDIMENTOS

### HAY UN RESIDUO MARRÓN EN LA SUPERFICIE DE LA PLANCHA:

#### POSIBLES CAUSAS

- Se usó demasiado aceite.
- Apagaste la calefacción demasiado pronto.

#### SOLUCIÓN

**PASO 01** Encienda su plancha a temperatura alta y déjela calentar durante 10-15 minutos.

**PASO 02** Raspe la mayor cantidad de aceite espesado y parcialmente cocido que pueda.

**PASO 03** Vuelva a sazonar con una capa muy fina de aceite.

### LOS BORDES DE LA SUPERFICIE DE LA PLANCHA NO SON NEGROS:

Después de usar su plancha para cocinar varias veces, el condimento se nivelará y mejorará.

## PREVENCIÓN DEL ÓXIDO

Use su plancha con frecuencia. Cada vez que cocina, está agregando condimentos, lo que hace que la oxidación sea menos probable.

### AVISO

Si vive en un clima húmedo o costero, su plancha puede requerir curaciones más frecuentes entre usos.

Si aparece óxido en la superficie de la plancha, frótelo con lana de acero, papel de lija de grano bajo o Blackstone Pumice Stone y vuelva a secar la superficie.



### VIDEOTUTORIAL

Recuperación de la tapa de su plancha Blackstone  
[youtube.com/watch?v=thPE2IgnSil](https://www.youtube.com/watch?v=thPE2IgnSil)

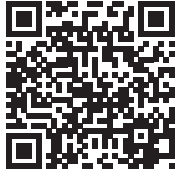




## LIMPIEZA DE LA PARTE SUPERIOR DE SU PLANCHA

Limpie la parte superior de la plancha después de cada uso, mientras aún esté caliente.

- NO USE jabón en la parte superior de la plancha. Esto destruirá el condimento de la plancha.



### VIDEOTUTORIAL

HCómo limpiar su plancha Blackstone

▶ [youtube.com/watch?v=-ledu9z6NPY](https://www.youtube.com/watch?v=-ledu9z6NPY)

**PASO 01** Empuje los restos de comida sueltos en el recipiente para la grasa con una espátula o un raspador de metal recto.



**PASO 02** Limpie la parte superior de la plancha con una toalla de papel.



**PASO 03** Aplique unas cuantas cucharadas de agua a la superficie de la plancha, luego raspe el agua y los residuos en el recipiente para la grasa. (Para los residuos de comida pegados, use un poco de sal gruesa).



**PASO 04** Limpie nuevamente con una toalla de papel y seque completamente.



**PASO 05** Aplique una fina capa de aceite de cocina para mantener la sazón y proteger la parte superior de la plancha.

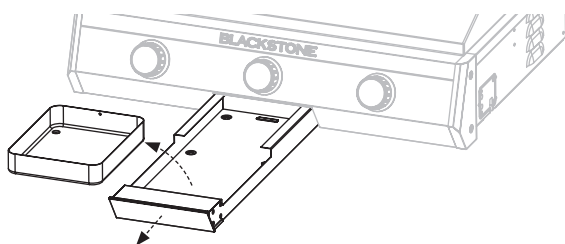


## VACÍA TU VASO DE GRASA

El recipiente para la grasa debe retirarse y vaciarse después de cada uso.

### ⚠ ATENCIÓN

La taza de grasa estará caliente durante y después del uso. NO RETIRE la taza de grasa hasta que la plancha se haya enfriado por completo.



## LIMPIEZA DE SU ELECTRODOMÉSTICO

### ⚠ ADVERTENCIA

La acumulación de grasa puede provocar un incendio. Limpie cualquier parte del aparato que se caliente y experimente acumulación de grasa después de cada uso.

### ⚠ ATENCIÓN

Toda la limpieza y el mantenimiento deben llevarse a cabo cuando el aparato esté frío y todo esté APAGADO.

- NO USE una almohadilla abrasiva en áreas con gráficos.
- Si se usa un cepillo de cerdas para limpiar cualquiera de las superficies de cocción, asegúrese de que no queden cerdas sueltas en las superficies de cocción antes de cocinar.

### CUERPO DEL APARATO:

Lave con agua jabonosa tibia y seque inmediatamente con un paño no abrasivo. (No permita que los agentes de limpieza descansen sobre ninguna superficie porosa durante un período de tiempo prolongado).

### AVISO

NO UTILICE Citrisol, limpiadores abrasivos o un limpiador concentrado en el aparato. Esto puede resultar en daños y fallas en las piezas.

# SOLUCIÓN DE PROBLEMAS

## SOLUCIÓN DE PROBLEMAS DE LA PLANCHA EMPOTRADA ELÉCTRICA

### LA PLANCHA NO CALIENTA:

#### POSIBLES CAUSAS

Disyuntor APAGADO o disparado.

#### SOLUCIÓN

Restablezca el disyuntor.

### UNA SECCIÓN NO CALIENTA:

#### POSIBLES CAUSAS

La perilla de control de temperatura no está ajustada a la temperatura deseada.

#### SOLUCIÓN

Presione y gire la perilla de control para establecer la temperatura.

Componente interno dañado.

Comuníquese con un electricista autorizado para las reparaciones.

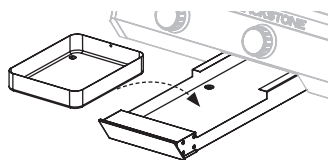
### LA PLANCHA GOTEA GRASA:

#### POSIBLES CAUSAS

Cajón de grasa lleno o no instalado.

#### SOLUCIÓN

Taza de grasa vacía.  
Vuelva a colocar el recipiente para la grasa en el cajón para la grasa.



Componente interno dañado.

Comuníquese con un electricista autorizado para las reparaciones.

**Nota:** No hay componentes reparables por el usuario dentro de la plancha. En todos los casos de daño y mal funcionamiento, comuníquese con un electricista autorizado para realizar las reparaciones. El mantenimiento por parte de un electricista sin licencia anulará todas las garantías.

## ATENCIÓN AL CLIENTE

Visítenos en línea en [BlackstoneProducts.com/support](https://BlackstoneProducts.com/support) para obtener ayuda sobre el uso del aparato, las piezas de repuesto o la garantía.

### HORARIO DE ATENCIÓN AL CLIENTE:



Lunes Viernes  
7:00 am a 5:00 pm (Hora de la montaña)



Esta página se dejó en blanco intencionalmente



Este producto puede estar cubierto por una o más patentes estadounidenses y/o internacionales emitidas y puede incluir solicitudes de patentes pendientes.  
Para obtener más información, visite: [BlackstoneProducts.com/patents](https://BlackstoneProducts.com/patents)