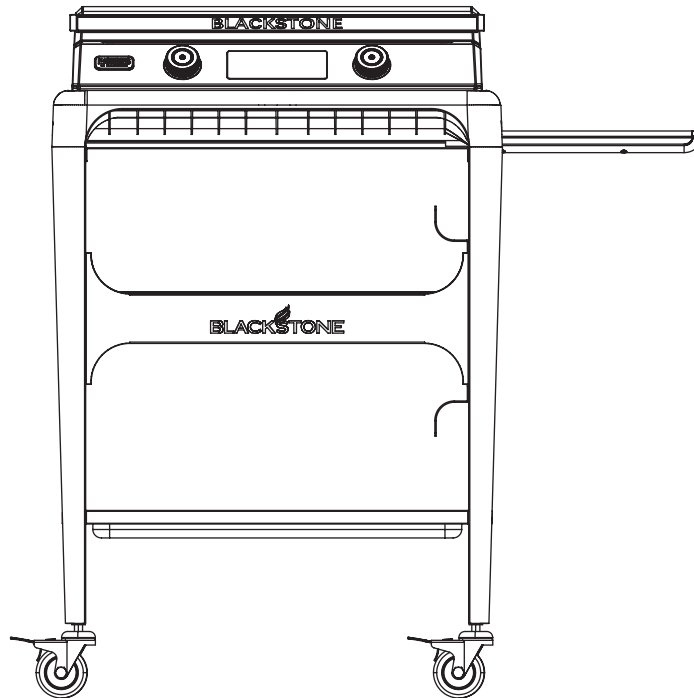


MODEL: 8003 ^{v18}



OWNER'S MANUAL

22" ELECTRIC GRIDDLE WITH INTEGRATED GRIDDLE CART

TABLE OF CONTENTS

IMPORTANT SAFETY INFORMATION	02
WARRANTY	03
ASSEMBLY GUIDE	04
USING YOUR BLACKSTONE	09
TROUBLESHOOTING	10



For the latest version of this manual, scan this code or visit BlackstoneProducts.com/support

IMPORTANT:

This instruction manual contains important information necessary for the proper assembly and safe use of the appliance.

Read and follow all warnings and instructions before assembling and using the appliance.

Follow all warnings and instructions when using the appliance.

Keep this manual for future reference.

Installer/Assembler: Leave these instructions with the consumer.

SAFETY ALERT KEY

⚠ DANGER

Indicates a hazardous situation that, if not avoided, will result in death or serious injury.

⚠ CAUTION

Indicates a hazardous situation that, if not avoided, could result in minor or moderate injury.

⚠ WARNING

Indicates a hazardous situation that, if not avoided, could result in death or serious injury.

NOTICE

Indicates information considered important, but not hazard-related (e.g. messages related to property damage).

IMPORTANT SAFETY INFORMATION

IMPORTANT SAFEGUARDS

When using electrical appliances, basic safety precautions should always be followed including the following:

01. DO NOT touch hot surfaces. Use handles or knobs.
02. To protect against electrical shock DO NOT immerse cord, plugs, or appliance in water or other liquid.
03. Close supervision is necessary when any appliance is used by or near children.
04. Unplug from outlet when not in use and before cleaning. Allow to cool before putting on or taking off parts.
05. DO NOT operate any appliance with a damaged cord or plug or after the appliance malfunctions or has been damaged in any manner. Return appliance to the nearest authorized service facility for examination, repair, or adjustment.
06. The use of accessory attachments not recommended by the appliance manufacturer may cause injuries.
07. DO NOT let cord hang over edge of table or counter, or touch hot surfaces.
08. DO NOT place on or near a hot gas or electric burner, or in a heated oven.
09. Extreme caution must be used when moving an appliance containing hot oil or other hot liquids.
10. To disconnect, turn any control to "off," then remove plug from wall outlet.
11. DO NOT use appliance for other than intended use.
12. Fuel, such as charcoal briquettes, is not to be used with appliance.
13. Use only on properly grounded outlet.
14. **▲ CAUTION:** Risk of Electric Shock. Keep extension cord connection dry and off the ground.
15. The appliance is not to be used by persons (including children) with reduced physical, sensory or mental capabilities, or lack of experience and knowledge, unless they have been given supervision or instruction concerning use of the appliance by a person responsible for their safety.
16. Children should be supervised to ensure that they DO NOT play with the appliance.

FOR EXTENSION CORDS:

- a. A short power-supply cord is provided to reduce the risk resulting from becoming entangled in or tripping over a longer cord.
- b. Longer power-supply cords or extension cords are available and may be used if care is exercised in their use.
- c. If a longer power-supply cord or extension cord is used:
 01. The marked electrical rating of the cord set or extension cord should be at least as great as the electrical rating of the appliance.
 02. The cord should be arranged so that it will not drape over the countertop or tabletop where it can be pulled on by children or tripped over unintentionally.
 03. The cord set or extension cord should be a grounding-type 3-wire cord.
- d. Outdoor extension cords should be used with outdoor use appliances and are surface marked with the suffix letter "W" and with a tag stating "Suitable for use with outdoor appliances."
- e. The connection to an Extension cord should be kept dry and off the ground.
- f. Store appliance indoors when not in use - out of the reach of children.
- g. DO NOT clean this product with a water spray or the like.

SAVE THESE INSTRUCTIONS

▲ WARNING

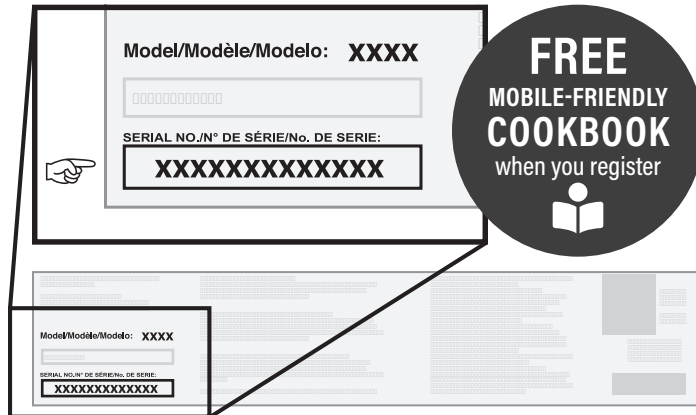
DO NOT operate this appliance unattended.

WARRANTY

The North Atlantic Imports LLC 1-Year Warranty covers replacement parts up to one year after the date of purchase.

TO ENABLE THIS WARRANTY, YOU WILL NEED TO PROVIDE:

👉 Your appliance's Serial Number



The Serial Number can be found on your appliance's Manufacturer Label.

(The Manufacturer Label is a large silver sticker found on the body of your appliance.)



Register your appliance at
BlackstoneProducts.com/register

WARRANTY OVERVIEW

North Atlantic Imports, the manufacturer, will warranty for one year from purchase all parts, workmanship, and finishes. It will be the manufacturer's option as to whether to repair or replace any of the above items. All warranties are limited to the original purchaser only. This warranty does not cover any liability on the part of North Atlantic Imports, its agents or employees, for any indirect or consequential damages for breach of warranty. The purchaser must follow the manufacturer's usage instructions.

Under no circumstances is the manufacturer responsible for damages from the failure to operate the cooking station properly. It is the responsibility of the purchaser to establish the warranty period by verifying the original purchase date with original sales receipt.



DETAILED EXPLANATION OF THE WARRANTY

North Atlantic Imports LLC warrants to the owner that the product covered by this agreement is free from defects in material and workmanship under normal use and service for which it was intended if, but only if, it has been operated in accordance with North Atlantic Imports LLC instructions exclusively for domestic use, and not for private or public club, institutional or commercial purposes.

North Atlantic Imports LLC's obligation under this warranty is limited to replacing or repairing, free of charge, any part or parts that may prove, to the satisfaction of North Atlantic Imports LLC, to be defective under normal home use and service within the following stated periods of time from the date of purchase; for one year from purchase, all parts, finish, and workmanship. Should any failure to conform to this warranty become apparent during applicable warranty periods stated above, the original purchaser must notify North Atlantic Imports LLC of breach of warranty within the applicable warranty period.

North Atlantic Imports LLC shall upon notice and compliance by the original purchaser with such instructions, correct such nonconformity by repair or replacement of the defective part or parts.

Correction in the manner provided above shall constitute a fulfillment of all obligations of North Atlantic Imports LLC with respect to the quality of the product.

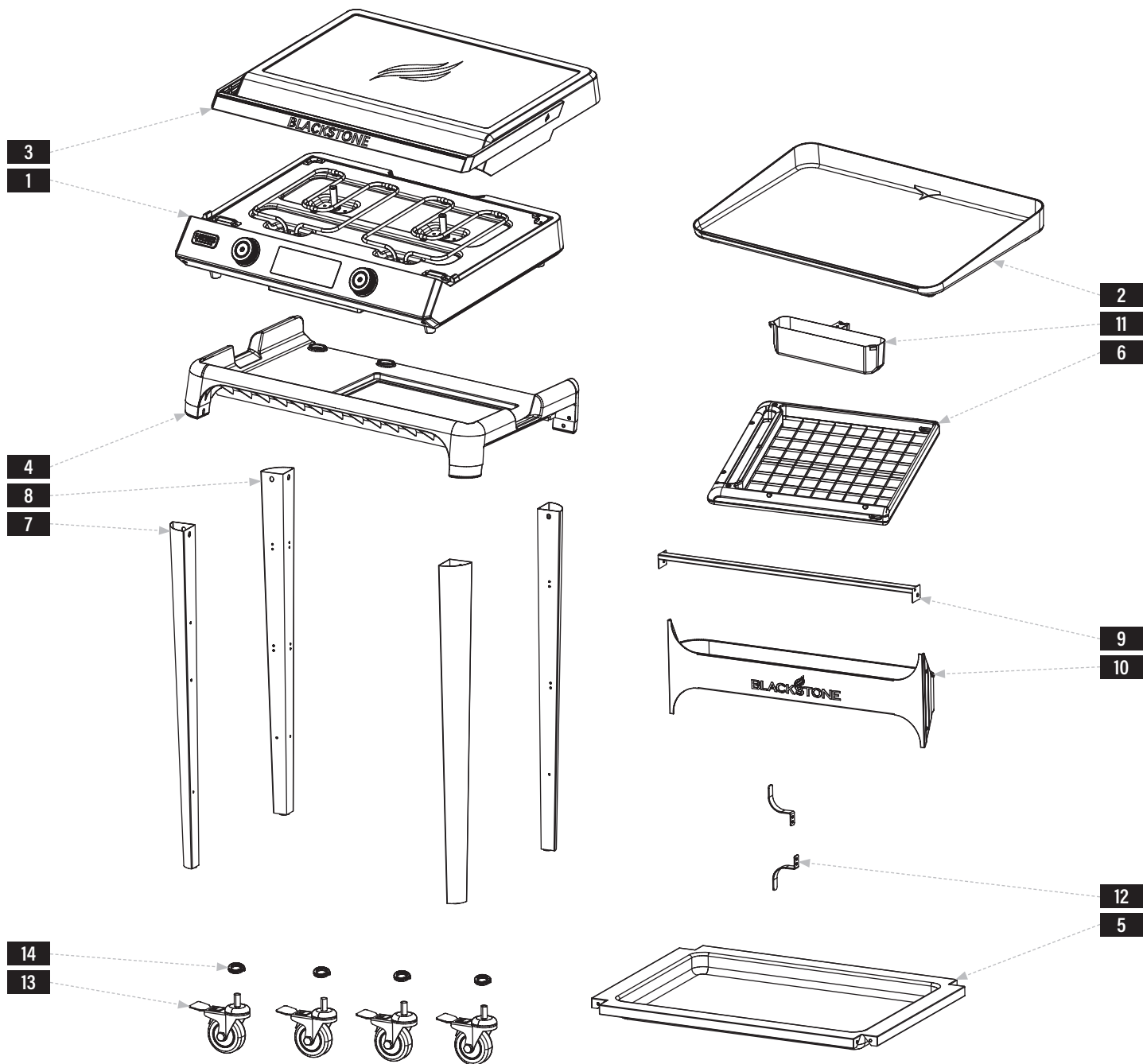
North Atlantic Imports LLC does not warrant this equipment to meet the requirement of any safety code of any state, municipality or other jurisdiction, and the original purchaser assumes all risk and liability whatsoever resulting from the use thereof, whether used in accordance with North Atlantic Imports LLC instructions or otherwise.

This warranty does not cover and is intended to exclude any liability on the part of North Atlantic its agents, servants or employees whether under this warranty or implied by law for any indirect or consequential damages for breach on any warranty. The purchaser must establish all applicable warranty periods pursuant to this warranty by verifying the original purchase date by producing the dated sales receipt. This warranty shall not apply to this product or any other part thereof which has been subject to accident, negligence, alteration, abuse, or misuse or which has been repaired or altered without North Atlantic written consent, outside of North Atlantic Imports LLC factory. The full manufacturer warranty is not valid for griddles purchased from unlicensed, third-party resellers, purchased at a discount due to missing or damaged parts, or purchased as a floor model; at the discretion of North Atlantic Imports.

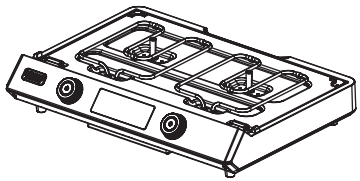
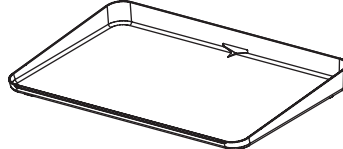

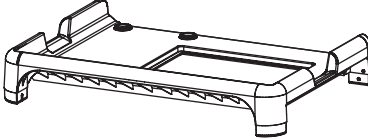

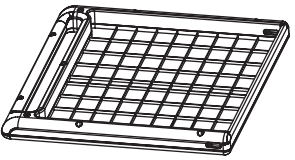
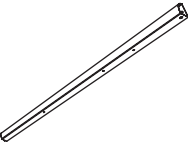
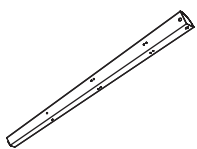
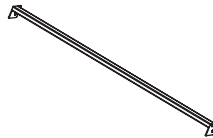


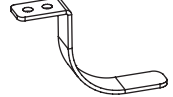
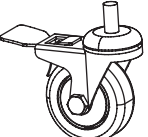
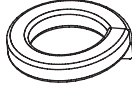
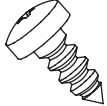

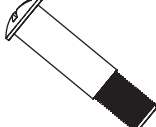
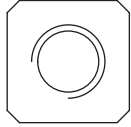
North Atlantic Imports LLC makes no warranty whatsoever in respect to accessories or parts not supplied with it. This warranty shall apply only within the boundaries of the United States of America and Canada. This warranty gives the original purchaser specific rights, and the original purchaser may also have other rights, which vary from state to state.

ASSEMBLY GUIDE

EXPLODED VIEW



PARTS LIST

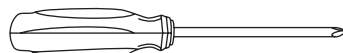
1 Griddle body (1 piece) 		2 Griddle top (1 piece) 		3 Hood assembly (1 piece) 	
4 Table top (1 piece) 		5 Inner shelf (1 piece) 		6 Side shelf (1 piece) 	
7 Front legs (2 pieces) 	8 Rear legs (2 pieces) 	9 Rear brace (1 piece) 	10 Accessory shelf (1 piece) 	11 Grease cup (1 piece) 	12 Power cord brackets (2 pieces) 
13 Caster wheels (1 piece) 	a. Spring washers (4 pieces) 	b. Self tapping screws (4 pieces) 	c. M6x12 screws (20 pieces) 	d. Step bolts (2 pieces) 	e. M6 nuts (10 pieces) 

ASSEMBLY INSTRUCTIONS

Find a large, clean area to assemble your appliance. Remove all packing material before assembling.

⚠ CAUTION

Sharp edges. Wear gloves while assembling.

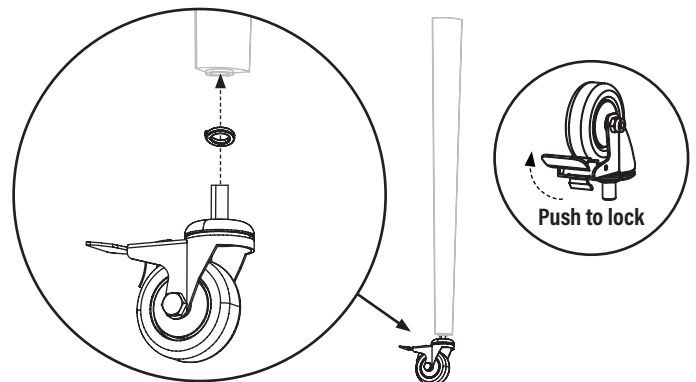


ELECTRIC REQUIREMENTS:
120V 60Hz

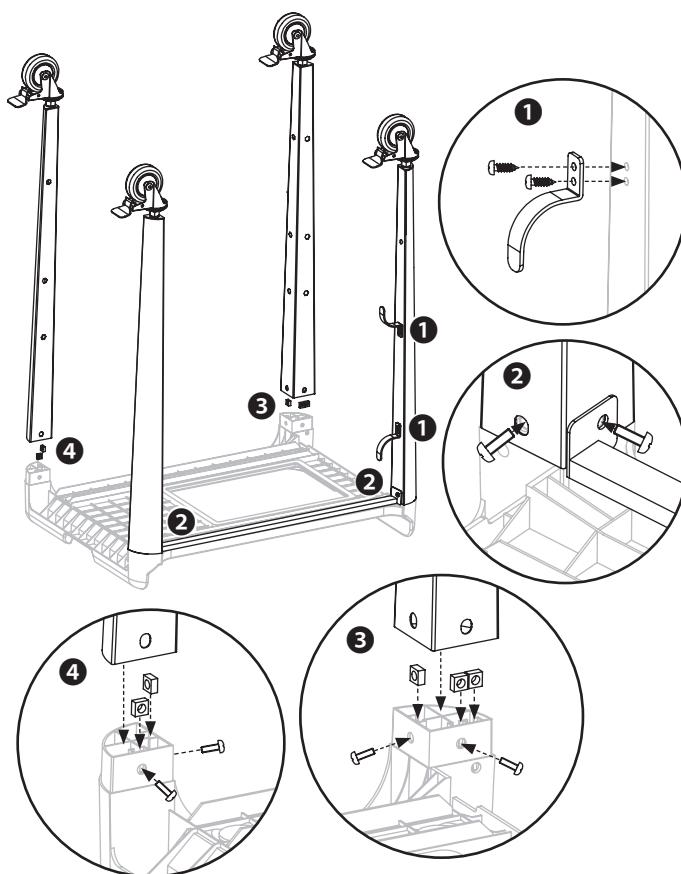
TOOL NEEDED:
#3 Phillips head screwdriver

STEP 01 Slide one (1) spring washer onto one (1) caster wheel. Screw the caster wheel onto one (1) leg.

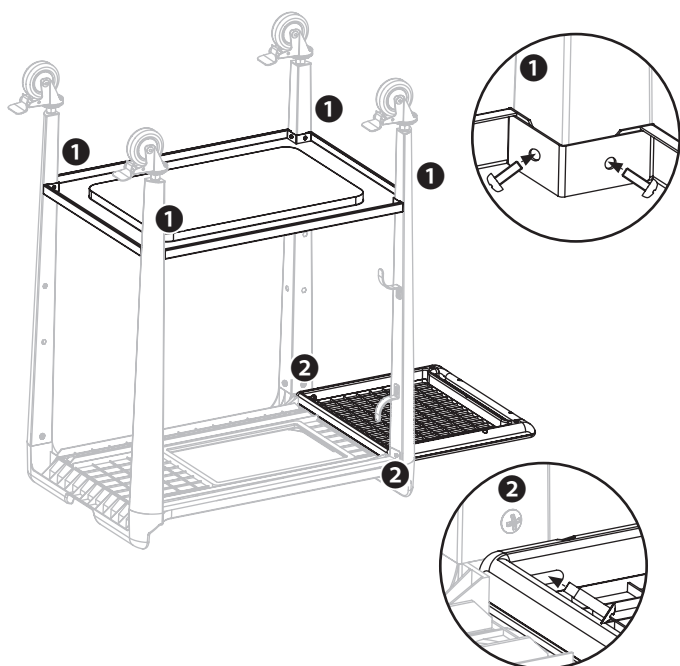
Repeat with the other three (3) caster wheels, (3) spring washers, and three (3) legs. (Be sure the wheels are locked.)



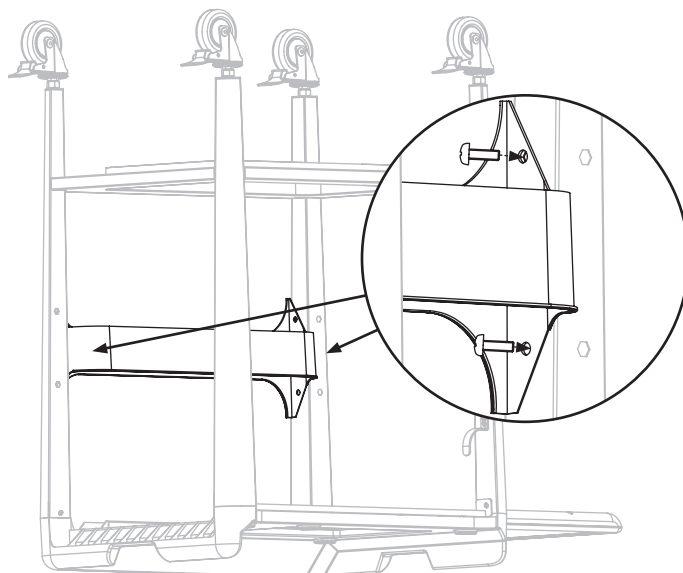
- STEP 02**
- 1 Use four (4) self tapping screws to attach the two (2) power cord brackets to the rear right leg.
 - 2 Slide the two (2) rear legs into place, and use (4) M6x12 screws to attach the legs and the rear leg brace to the table top.
 - 3 For the front right leg, set three (3) M6 nuts in the table top leg post, slide the leg into place, and use (2) M6x12 screws to secure.
 - 4 For the front left leg, set two (2) M6 nuts in the table top leg post, slide the leg into place, and use (2) M6x12 screws to secure.



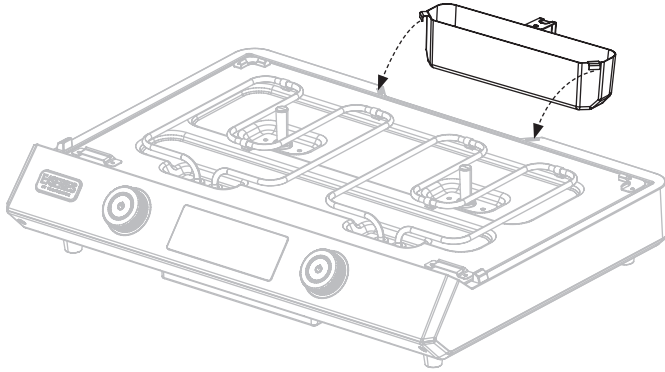
- STEP 03**
- 1 Use eight (8) M6x12 screws to attach the bottom shelf to the legs.
 - 2 Use two (2) step bolts to attach the side shelf to the left legs.



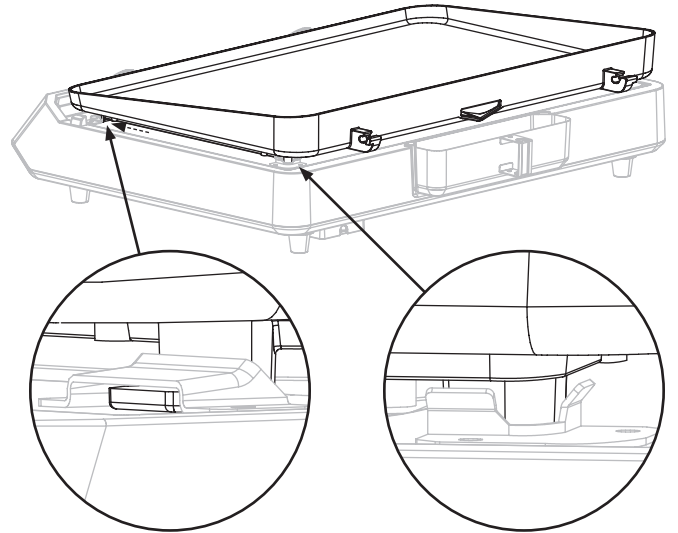
- STEP 04** Use four (4) M6x12 screws to attach the accessory shelf to the front legs. Set the cart on its feet.



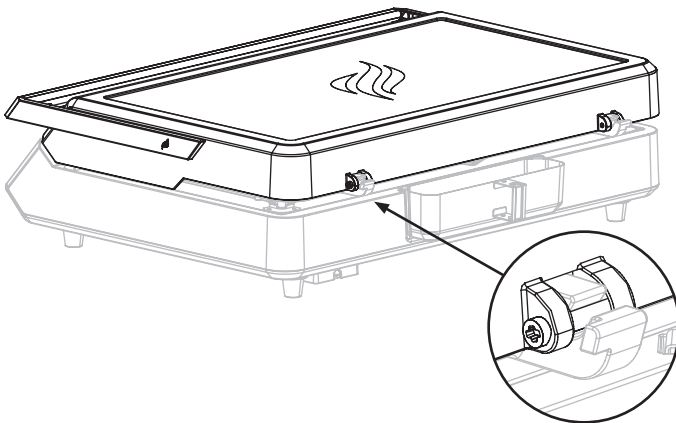
STEP 05 Before installing the griddle top on the griddle body, remove the warning label on the griddle body. Hang the grease cup in the slots on the back of the griddle body.



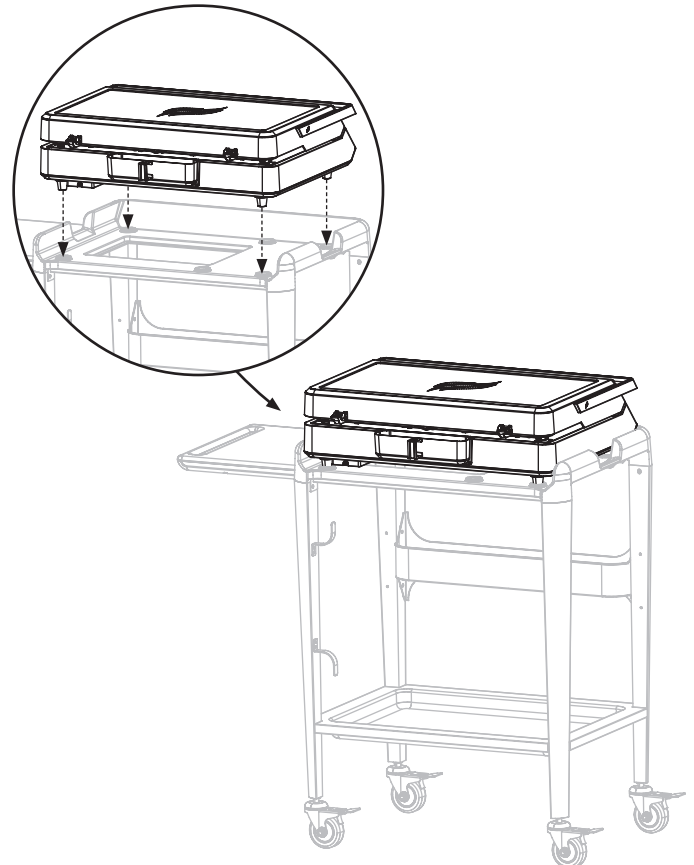
STEP 06 Set the griddle top on the griddle body. Slide the griddle top front feet into the front brackets. The back feet should rest against the back brackets.



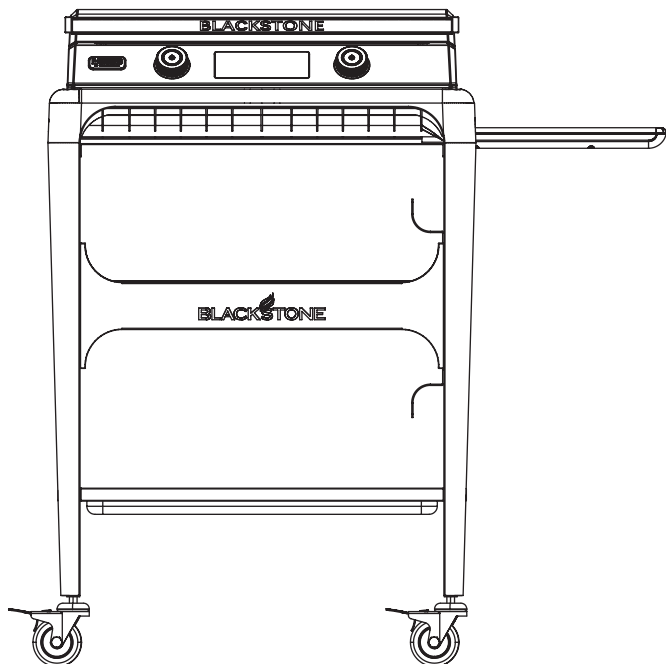
STEP 07 Place the hood on the griddle top. Insert the hood hinges into the hood brackets.



STEP 08 Set the cart on its feet. Set the griddle body on the cart.



STEP 09 Proceed to **USING YOUR BLACKSTONE.**



NOTICE

DO NOT leave the hood closed for more than 10 minutes while cooking.



USING YOUR BLACKSTONE

FIRST TIME CLEANING

Wash griddle surface before initial use.

- DO NOT allow the electric components to come in contact with water.
- DO NOT leave water on the griddle surface for more than two hours.
- DO NOT wash the griddle top in the dishwasher.
- Avoid using anything that may scratch the surface, including metal scouring pads and abrasive cleaners.

COOKING ON YOUR BLACKSTONE

⚠ DANGER

Flammable items can combust if placed near the appliance. DO NOT place flammable items such as aerosol containers, oily or greasy towels near the cooking surface.

⚠ CAUTION

This appliance will be hot during and after use. DO NOT handle hot parts with unprotected hands. Use long-handled, non-metal utensils and oven mitts/ protective gloves to protect against burns and splatters.

NOTICE

DO NOT store any items within 3 in (8 cm) of the cooking surface while in use.

PROTECTING THE NON-STICK SURFACE

- You DO NOT need to season the griddle top.
- DO NOT cut directly on the griddle surface.
- Only use plastic, rubber, wood, and/or nylon cooking utensils on the cooking surface.
- Cooking spray containing lecithin will degrade the non-stick coating. We recommend using regular cooking oil in a spray bottle.

FOR DAILY CLEANING:

STEP 01 Be sure that the grease cup is in place.

STEP 02 Wipe off griddle surface with a moist, soapy cloth or paper towel.

STEP 03 Wash off soap and dry.

FOR DEEP CLEANING:

STEP 01 Be sure that the grease cup is in place.

STEP 02 Turn heat to low.

STEP 03 While wearing rubber gloves, use one (1) tablespoon of mild soap per one (1) cup of hot water, and wipe down the griddle surface with a cloth or non-metal cleaning pad.

STEP 04 Turn off griddle, and once cool, wipe off surface with a moist, soapy cloth or paper towel.

STEP 05 Wash off soap and dry.

IGNITION INSTRUCTIONS

TO TURN THE GRIDDLE ON:

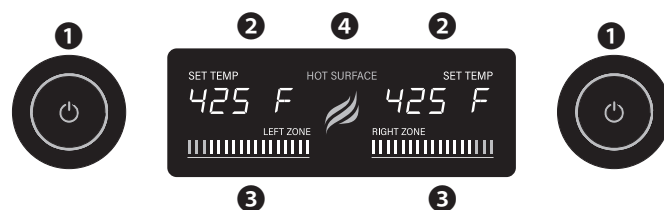
STEP 01 ① Press and hold the control knob button to bring up the temperature measurement preferences. Turn the knob to select Fahrenheit or Celsius. Press the control knob to select.

Turn the control knob until the ② **SET TEMP** displays the desired temperature.

Press the control knob to set the temperature.

STEP 02 When the ③ **ZONE TEMP** dash indicators reach the orange area, the griddle has reached the set temperature.

For best results, allow griddle to heat up until all bars are illuminated.

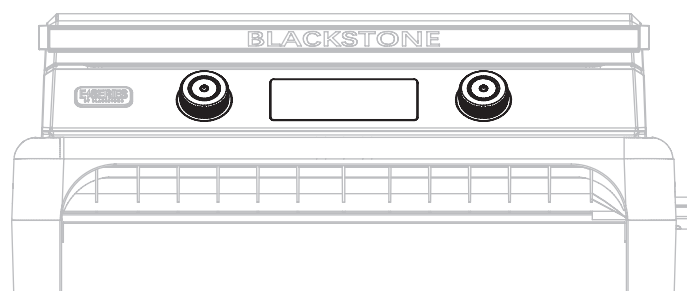


TO TURN THE GRIDDLE OFF:

STEP 01 ① Press and hold the control knob button until the temperature image disappears.

STEP 02 Unplug the appliance.

STEP 03 DO NOT store the appliance until the ④ **HOT SURFACE** indicator has turned off.



TROUBLESHOOTING

CUSTOMER SUPPORT

Visit us online at BlackstoneProducts.com/support for assistance concerning appliance use, replacement parts, or your warranty.

CUSTOMER SUPPORT HOURS:



Monday - Friday
7:00 am - 5:00 pm (Mountain Time)



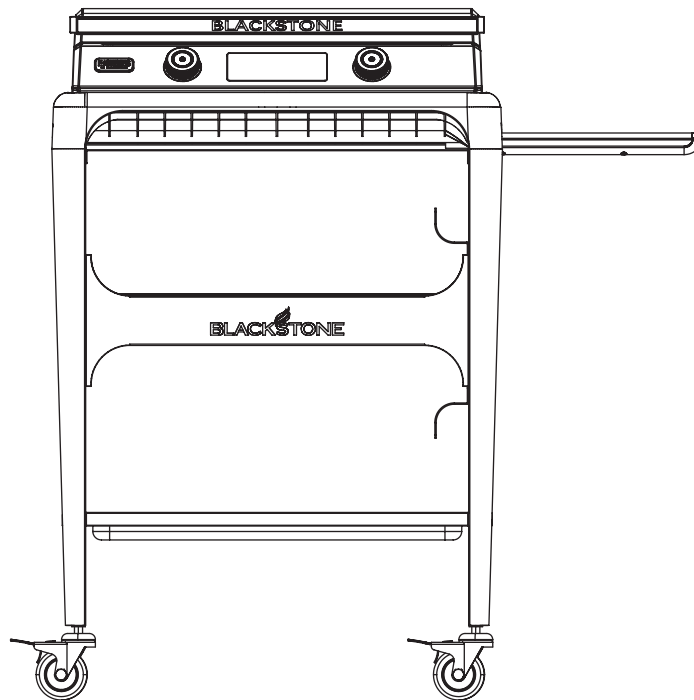
This page intentionally left blank



This product may be covered by one or more issued U.S. and/or international patents and may include patent applications pending. For more information, please visit: BlackstoneProducts.com/patents

MODÈLE: 8003 v18

FRANÇAIS



MANUEL DU PROPRIÉTAIRE

PLAQUE CHAUFFANTE ÉLECTRIQUE DE 17 PO AVEC CHARIOT DE CUISSON INTÉGRÉ

TABLE DES MATIÈRES

INFORMATIONS DE SÉCURITÉ IMPORTANTES	02
GARANTIE	03
GUIDE D'ASSEMBLAGE	04
UTILISATION DE VOTRE BLACKSTONE	09
DÉPANNAGE	10



Pour obtenir la dernière version de ce manuel, scannez ce code ou visitez BlackstoneProducts.com/support

IMPORTANT:

Ce manuel d'instructions contient des informations importantes nécessaires au montage correct et à l'utilisation en toute sécurité de l'appareil.

Lisez et suivez tous les avertissements et instructions avant d'assembler et d'utiliser l'appareil.

Suivez tous les avertissements et instructions lors de l'utilisation de l'appareil.

Conservez ce manuel pour référence ultérieure.

Installateur/Assembleur : Laisser ces instructions au consommateur.

CLÉ D'ALERTE DE SÉCURITÉ

⚠ DANGER

Indique une situation dangereuse qui, si elle n'est pas évitée, entraînera la mort ou des blessures graves.

⚠ ATTENTION

Indique une situation dangereuse qui, si elle n'est pas évitée, pourrait entraîner des blessures mineures ou modérées.

⚠ AVERTISSEMENT

Indique une situation dangereuse qui, si elle n'est pas évitée, peut entraîner la mort ou des blessures graves.

AVIS

Indique des informations considérées comme importantes, mais non liées à un danger (par exemple, des messages liés à des dommages matériels).

INFORMATIONS DE SÉCURITÉ IMPORTANTES

GARANTIES IMPORTANTES

Lors de l'utilisation d'appareils électriques, des précautions de sécurité de base doivent toujours être suivies, notamment:

01. Ne touchez pas les surfaces chaudes. Utilisez des poignées ou des boutons.
02. Pour vous protéger contre les chocs électriques, ne plongez pas le cordon, les fiches ou l'appareil dans l'eau ou tout autre liquide.
03. Une surveillance étroite est nécessaire lorsqu'un appareil est utilisé par ou à proximité d'enfants.
04. Débranchez de la prise lorsqu'il n'est pas utilisé et avant de le nettoyer. Laisser refroidir avant de mettre ou de retirer des pièces.
05. N'utilisez aucun appareil avec un cordon ou une prise endommagés ou après que l'appareil fonctionne mal ou a été endommagé de quelque manière que ce soit. Retournez l'appareil au centre de service agréé le plus proche pour examen, réparation ou réglage.
06. L'utilisation d'accessoires non recommandés par le fabricant de l'appareil peut entraîner des blessures.
07. Ne laissez pas le cordon pendre du bord de la table ou du comptoir, ou toucher des surfaces chaudes.
08. NE PAS placer sur ou à proximité d'un brûleur à gaz ou électrique chaud, ou dans un four chauffé.
09. Une extrême prudence doit être utilisée lors du déplacement d'un appareil contenant de l'huile chaude ou d'autres liquides chauds.
10. Pour déconnecter, tournez n'importe quelle commande sur "off", puis retirez la fiche de la prise murale.
11. N'UTILISEZ PAS l'appareil à d'autres fins que celles prévues.
12. Les combustibles, tels que les briquettes de charbon de bois, ne doivent pas être utilisés avec l'appareil.
13. Utiliser uniquement sur une prise correctement mise à la terre.
14. **⚠ ATTENTION:** Risque de choc électrique. Maintenez la connexion de la rallonge au sec et au-dessus du sol.
15. L'appareil ne doit pas être utilisé par des personnes (y compris les enfants) ayant des capacités physiques, sensorielles ou mentales réduites, ou un manque d'expérience et de connaissances, à moins qu'elles n'aient reçu une supervision ou des instructions concernant l'utilisation de l'appareil par une personne responsable de leur sécurité.
16. Les enfants doivent être surveillés pour s'assurer qu'ils ne jouent pas avec l'appareil.

POUR LES RALLONGES:

- a. Un cordon d'alimentation court est fourni pour réduire le risque de s'emmêler ou de trébucher sur un cordon plus long.
- b. Des cordons d'alimentation ou des rallonges plus longs sont disponibles et peuvent être utilisés s'ils sont utilisés avec précaution.
- c. Si un cordon d'alimentation ou une rallonge plus long est utilisé:
 01. La puissance électrique marquée du cordon ou de la rallonge doit être au moins égale à la puissance électrique de l'appareil.
 02. Le cordon doit être disposé de sorte qu'il ne pende pas sur le comptoir ou la table où il pourrait être tiré par des enfants ou trébuché par inadvertance.
 03. Le cordon ou la rallonge doit être un cordon à 3 fils avec mise à la terre.
- d. Les rallonges extérieures doivent être utilisées avec des appareils à usage extérieur et sont marquées en surface de la lettre suffixe « W » et d'une étiquette indiquant « Convient pour une utilisation avec des appareils extérieurs ».
- e. La connexion à une rallonge doit être maintenue au sec et hors du sol.
- f. Rangez l'appareil à l'intérieur lorsqu'il n'est pas utilisé - hors de la portée des enfants.
- g. Ne nettoyez pas ce produit avec un jet d'eau ou similaire.

CONSERVEZ CES INSTRUCTIONS

⚠ AVERTISSEMENT

NE FAITES pas fonctionner cet appareil sans surveillance.

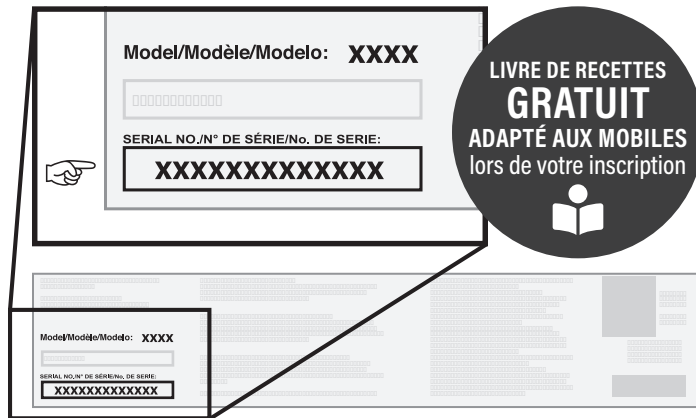


GARANTIE

La garantie d'un an de North Atlantic Imports LLC couvre les pièces de rechange jusqu'à un an après la date d'achat.

POUR ACTIVER CETTE GARANTIE, VOUS DEVREZ FOURNIR:

☞ Numéro de série de votre appareil



Le numéro de série se trouve sur l'étiquette du fabricant de votre appareil. (L'étiquette du fabricant est un grand autocollant argenté apposé sur le corps de votre appareil.)



Enregistrez votre appareil sur BlackstoneProducts.com/register

PRÉSENTATION DE LA GARANTIE

North Atlantic Imports, le fabricant, garantira pendant un an à compter de l'achat toutes les pièces, la fabrication et les finitions. Ce sera l'option du fabricant de réparer ou de remplacer l'un des éléments ci-dessus. Toutes les garanties sont limitées à l'acheteur d'origine uniquement. Cette garantie ne couvre aucune responsabilité de la part de North Atlantic Imports, de ses agents ou employés, pour tout dommage indirect ou consécutif résultant d'une violation de la garantie. L'acheteur doit suivre les instructions d'utilisation du fabricant.

Le fabricant n'est en aucun cas responsable des dommages résultant d'une mauvaise utilisation de la station de cuisson. Il est de la responsabilité de l'acheteur d'établir la période de garantie en vérifiant la date d'achat originale avec le reçu de vente original.

EXPLICATION DÉTAILLÉE DE LA GARANTIE

North Atlantic Imports LLC garantit au propriétaire que le produit couvert par cet accord est exempt de défauts de matériaux et de fabrication dans des conditions normales d'utilisation et de service pour lesquelles il était destiné si, mais seulement si, il a été utilisé conformément à North Atlantic Imports LLC instructions exclusivement pour un usage domestique, et non pour un club privé ou public, à des fins institutionnelles ou commerciales.

L'obligation de North Atlantic Imports LLC en vertu de cette garantie est limitée au remplacement ou à la réparation, sans frais, de toute pièce ou pièces qui peuvent s'avérer, à la satisfaction de North Atlantic Imports LLC, défectueuses dans le cadre d'une utilisation et d'un entretien domestiques normaux dans les périodes indiquées ci-dessous, de temps à compter de la date d'achat ; pendant un an à compter de l'achat, toutes les pièces, la finition et la fabrication. En cas de non-conformité à cette garantie pendant les périodes de garantie applicables indiquées ci-dessus, l'acheteur d'origine doit informer North Atlantic Imports LLC de la violation de la garantie pendant la période de garantie applicable.

North Atlantic Imports LLC doit, sur notification et conformité de l'acheteur d'origine avec ces instructions, corriger cette non-conformité en réparant ou en remplaçant la ou les pièces défectueuses.

La correction de la manière indiquée ci-dessus constituera l'accomplissement de toutes les obligations de North Atlantic Imports LLC en ce qui concerne la qualité du produit.

North Atlantic Imports LLC ne garantit pas que cet équipement réponde aux exigences de tout code de sécurité d'un état, d'une municipalité ou d'une autre juridiction, et l'acheteur d'origine assume tous les risques et responsabilités résultant de son utilisation, qu'il soit utilisé conformément à North Atlantic Imports instructions LLC ou autrement.

Cette garantie ne couvre pas et est destinée à exclure toute responsabilité de la part de North Atlantic, ses agents, préposés ou employés, que ce soit en vertu de cette garantie ou implicite par la loi pour tout dommage indirect ou consécutif en cas de violation de toute garantie. L'acheteur doit établir toutes les périodes de garantie applicables conformément à cette garantie en vérifiant la date d'achat originale en produisant le reçu de vente daté. Cette garantie ne s'applique pas à ce produit ou à toute autre partie de celui-ci qui a fait l'objet d'un accident, d'une négligence, d'une altération, d'un abus ou d'une mauvaise utilisation ou qui a été réparé ou modifié sans le consentement écrit de North Atlantic, en dehors de l'usine de North Atlantic Imports LLC. La garantie complète du fabricant n'est pas valable pour les plaques chauffantes achetées auprès de revendeurs tiers sans licence, achetées à prix réduit en raison de pièces manquantes ou endommagées, ou achetées en tant que modèle de plancher ; à la discrétion de North Atlantic Imports.

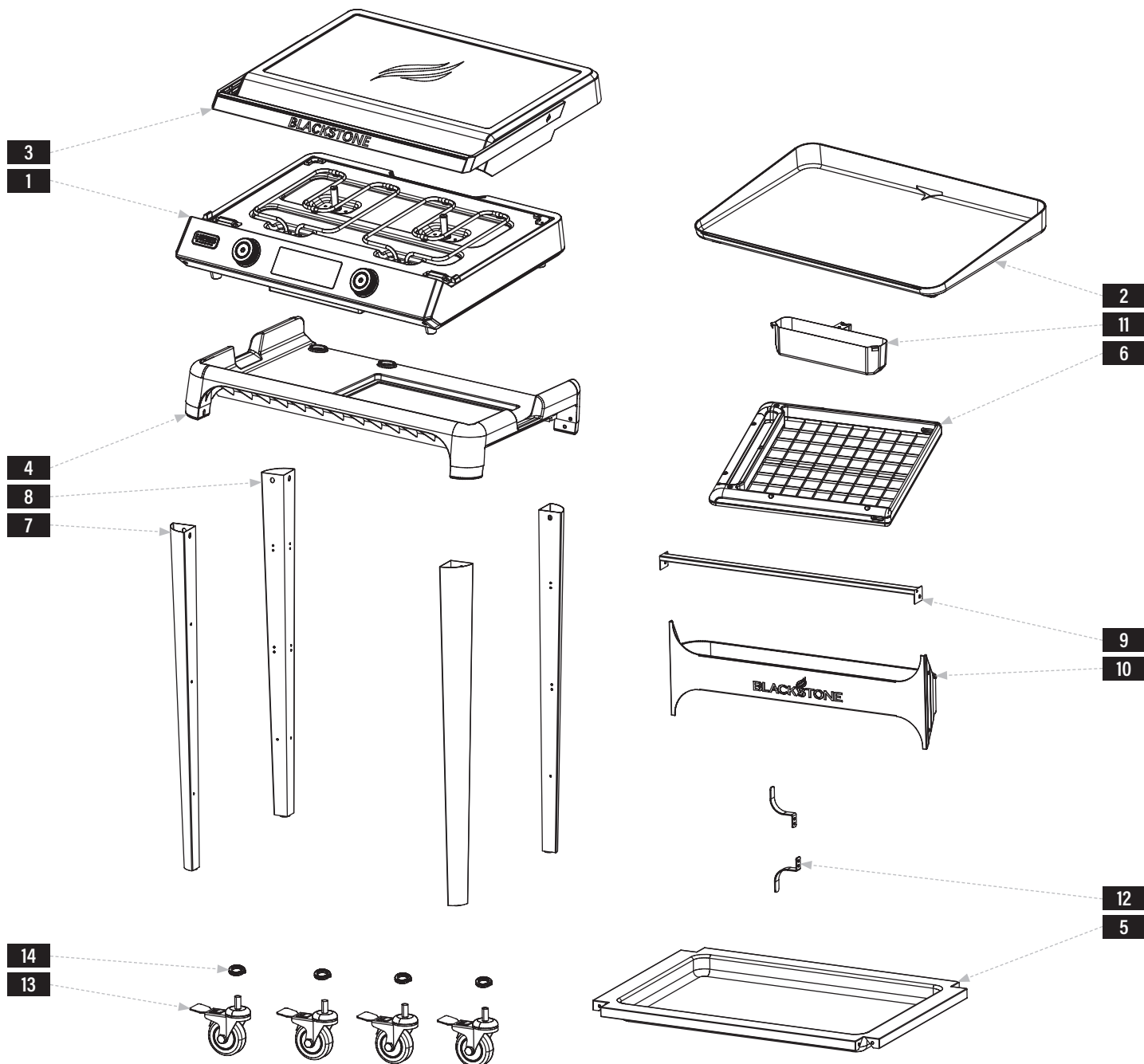
North Atlantic Imports LLC n'offre aucune garantie quant aux accessoires ou pièces non fournis avec. Cette garantie ne s'applique qu'à l'intérieur des frontières des États-Unis d'Amérique et du Canada. Cette garantie donne à l'acheteur d'origine des droits spécifiques, et l'acheteur d'origine peut également avoir d'autres droits, qui varient d'un état à l'autre.



GUIDE D'ASSEMBLAGE

VUE ÉCLATÉE

FRANÇAIS





LISTE DES PIÈCES

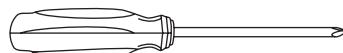
1 Corps de plancha (1 pièce) 		2 Plancha (1 pièce) 		3 Assemblage de capot (1 pièce) 	
4 Plateau de table (1 pièce) 		5 Étagère intérieure (1 pièce) 		6 Tablette latérale (1 pièce) 	
7 Pattes avant (2 pièces) 	8 Pieds arrière (2 pièces) 	9 Renfort arrière (1 pièce) 	10 Étagère à accessoires (1 pièce) 	11 Pot à graisse (1 pièce) 	12 Supports de cordon d'alimentation (2 pièces)
13 Roulettes (1 pièce) 	a. Rondelles élastiques (4 pièces) 	b. Vis autotaraudeuses (4 pièces) 	c. Vis M6x12 (20 pièces) 	d. Boulons de marche-pied (2 pièces) 	e. Écrous M6 (10 pièces)

INSTRUCTIONS DE MONTAGE

Trouvez une grande surface propre pour assembler votre appareil. Retirez tous les matériaux d'emballage avant l'assemblage.

⚠ ATTENTION

Bouts pointus. Portez des gants lors de l'assemblage.

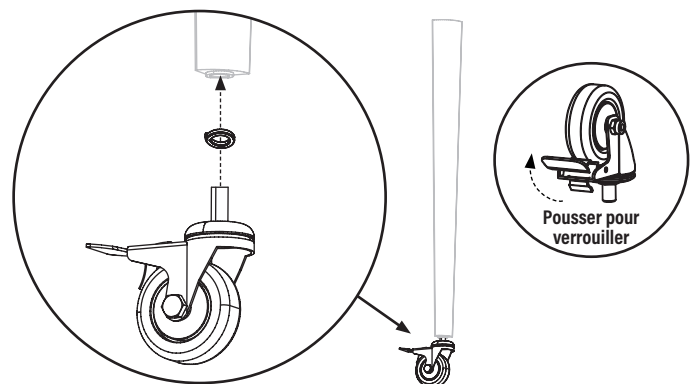


EXIGENCES ÉLECTRIQUES:
120V 60Hz

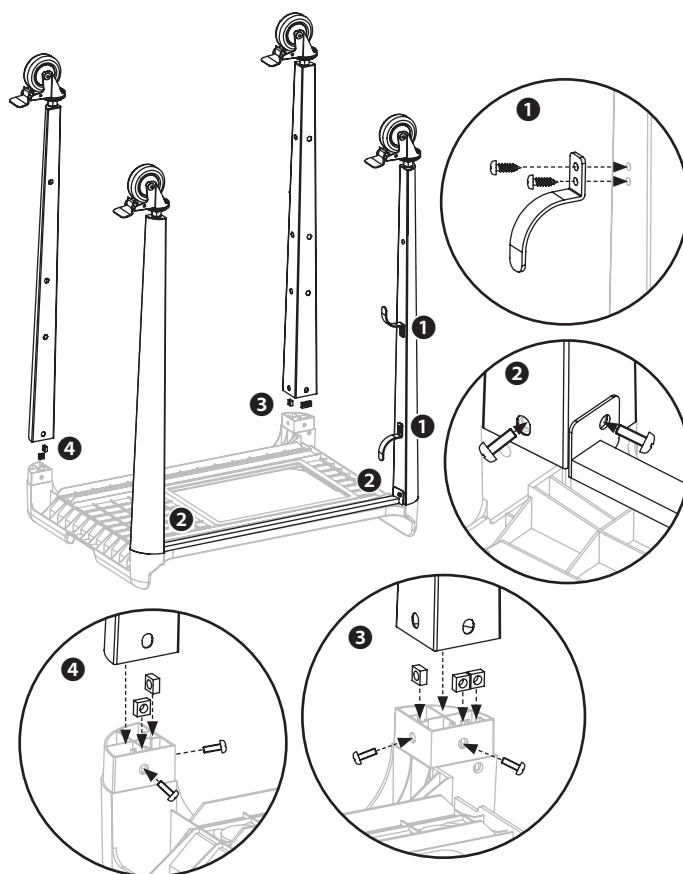
OUTIL NÉCESSAIRE:
Tournevis cruciforme n° 3

ÉTAPE 01 Faites glisser une (1) rondelle élastique sur une (1) roue pivotante. Visser la roulette sur un (1) pied.

Répétez l'opération avec les trois (3) autres roulettes, les (3) rondelles élastiques et les trois (3) pieds. (Assurez-vous que les roues sont verrouillées.)

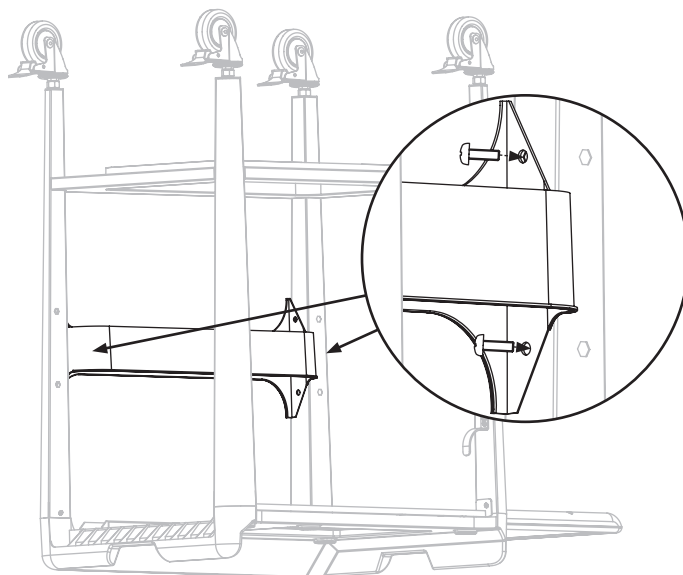
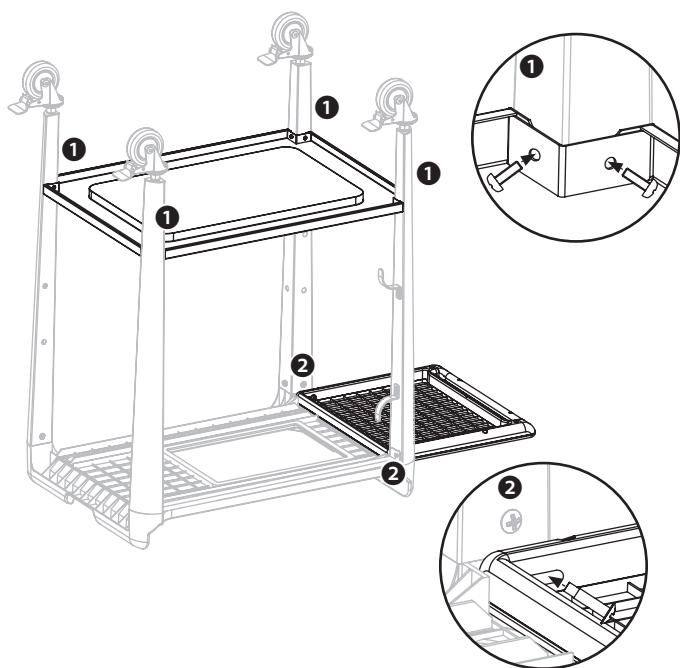


- ÉTAPE 02**
- 1 Utilisez quatre (4) vis autotaraudeuses pour fixer les deux (2) supports de cordon d'alimentation au pied arrière droit.
 - 2 Faites glisser les deux (2) pieds arrière en place et utilisez (4) vis M6x12 pour fixer les pieds et le renfort de pied arrière au dessus de la table.
 - 3 Pour le pied avant droit, placez trois (3) écrous M6 dans le montant du pied du dessus de table, faites glisser le pied en place et utilisez (2) vis M6x12 pour fixer.
 - 4 Pour le pied avant gauche, placez deux (2) écrous M6 dans le montant du pied du dessus de table, faites glisser le pied en place et utilisez (2) vis M6x12 pour fixer.



- ÉTAPE 03**
- 1 Utilisez huit (8) vis M6x12 pour fixer la tablette inférieure aux pieds.
 - 2 Utilisez deux (2) boulons à épaulement pour fixer la tablette latérale aux pieds gauches.

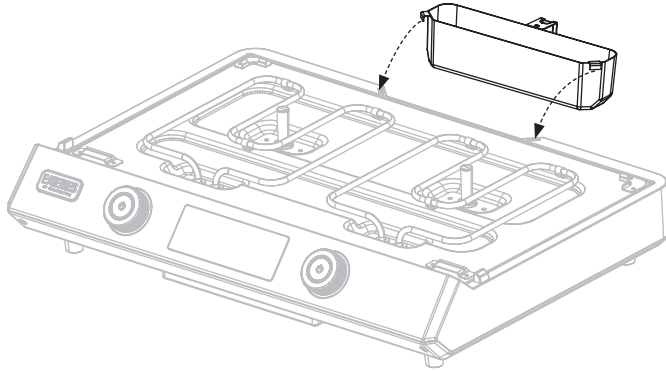
- ÉTAPE 04** Utilisez quatre (4) vis M6x12 pour fixer la tablette d'accessoires aux pattes avant. Mettez le chariot sur ses pieds.



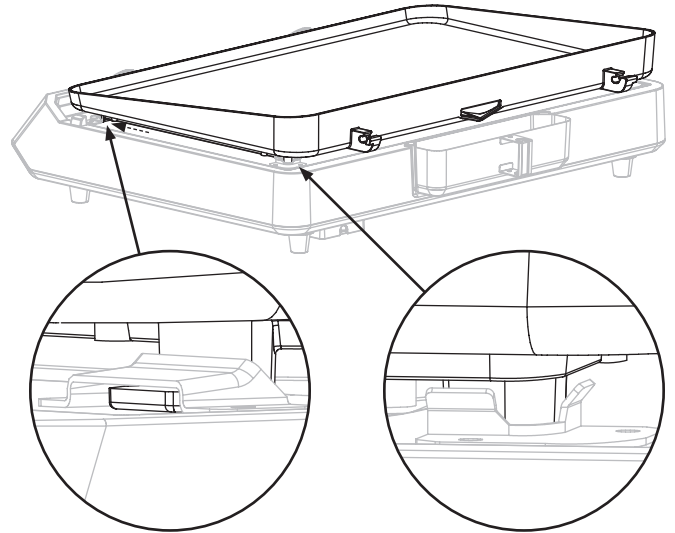


ÉTAPE 05 Avant d'installer le dessus de la plaque chauffante sur le corps de la plaque chauffante, retirez l'étiquette d'avertissement sur le corps de la plaque chauffante.

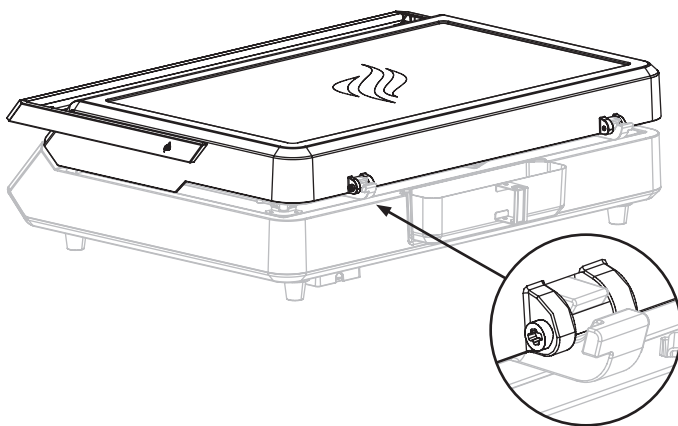
Accrochez le bac à graisse dans les fentes à l'arrière du corps de la plaque chauffante.



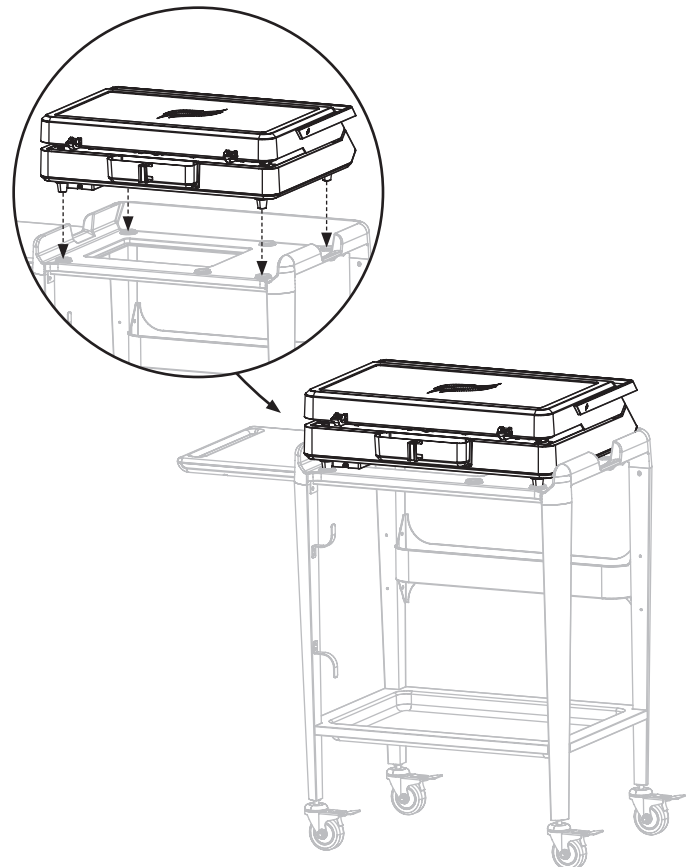
ÉTAPE 06 Placez le dessus de la plaque chauffante sur le corps de la plaque chauffante. Faites glisser les pieds avant supérieurs de la plaque chauffante dans les supports avant. Les pieds arrière doivent reposer contre les supports arrière.



ÉTAPE 07 Placez la hotte sur le dessus de la plaque chauffante. Insérez les charnières du capot dans les supports du capot.

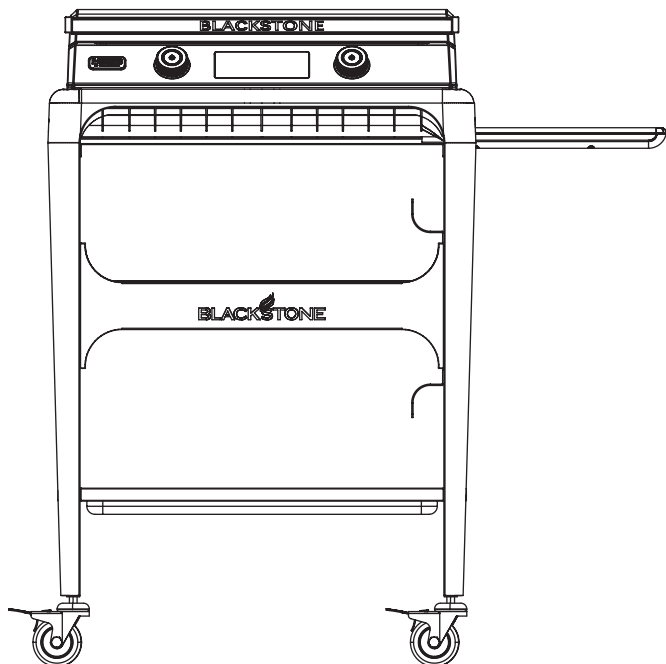


ÉTAPE 08 Mettez le chariot sur ses pieds. Placez le corps de la plaque chauffante sur le chariot.



ÉTAPE 09 Passez à **UTILISATION DE VOTRE BLACKSTONE.**

FRANÇAIS



AVIS

Ne laissez pas la hotte fermée plus de 10 minutes pendant la cuisson.



UTILISATION DE VOTRE BLACKSTONE

PREMIER NETTOYAGE

Laver la surface de la plaque chauffante avant la première utilisation.

- Ne laissez pas les composants électriques entrer en contact avec de l'eau.
- Ne laissez pas d'eau sur la surface de la plaque pendant plus de deux heures.
- Ne lavez pas le dessus de la plaque chauffante au lave-vaisselle.
- Évitez d'utiliser tout ce qui pourrait rayer la surface, y compris les tampons à récurer métalliques et les nettoyeurs abrasifs.

CUISINER SUR VOTRE BLACKSTONE

⚠ DANGER

Les objets inflammables peuvent brûler s'ils sont placés à proximité de l'appareil. Ne placez pas d'objets inflammables tels que des bombes aérosols, des serviettes huileuses ou grasses près de la surface de cuisson.

⚠ ATTENTION

Cet appareil sera chaud pendant et après utilisation. Ne manipulez pas les pièces chaudes avec les mains non protégées. Utilisez des ustensiles non métalliques à long manche et des gants de cuisine/gants de protection pour vous protéger contre les brûlures et les éclaboussures.

AVIS

Ne rangez aucun article à moins de 8 cm (3 po) de la surface de cuisson pendant son utilisation.

PROTÉGER LA SURFACE ANTIADHÉSIVE

- Vous n'avez pas besoin d'assaisonner la plaque chauffante.
- Ne coupez pas directement sur la surface de la plaque chauffante.
- Utilisez uniquement des ustensiles de cuisine en plastique, en caoutchouc, en bois et/ou en nylon sur la surface de cuisson.
- Un aérosol de cuisson contenant de la lécithine dégradera le revêtement antiadhésif. Nous vous recommandons d'utiliser de l'huile de cuisson ordinaire dans un flacon pulvérisateur.

POUR LE NETTOYAGE QUOTIDIEN:

ÉTAPE 01 Assurez-vous que le bac à graisse est en place.

ÉTAPE 02 Essuyez la surface de la plaque chauffante avec un chiffon humide et savonneux ou une serviette en papier.

ÉTAPE 03 Laver le savon et sécher.

POUR UN NETTOYAGE EN PROFONDEUR:

ÉTAPE 01 Assurez-vous que le bac à graisse est en place.

ÉTAPE 02 Baisser le feu à doux.

ÉTAPE 03 Tout en portant des gants en caoutchouc, utilisez une (1) cuillère à soupe de savon doux pour une (1) tasse d'eau chaude et essuyez la surface de la plaque chauffante avec un chiffon ou un tampon de nettoyage non métallique.

ÉTAPE 04 Éteignez la plaque chauffante et, une fois refroidie, essuyez la surface avec un chiffon humide et savonneux ou une serviette en papier.

ÉTAPE 05 Laver le savon et sécher.

INSTRUCTIONS D'ALLUMAGE

POUR ALLUMER LA PLAQUE CHAUFFANTE:

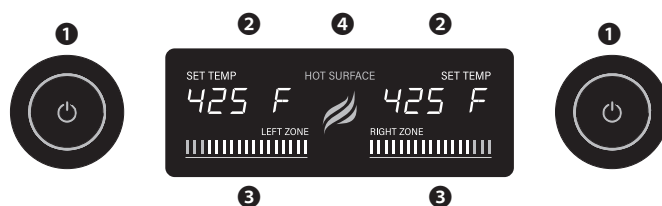
ÉTAPE 01 ① Appuyez sur le bouton du bouton de commande et maintenez-le enfoncé pour afficher les préférences de mesure de la température. Tournez le bouton pour sélectionner Fahrenheit ou Celsius. Appuyez sur le bouton de commande pour sélectionner.

Tournez le bouton de commande jusqu'à ce que ② **SET TEMP** affiche la température souhaitée.

Appuyez sur le bouton de commande pour régler la température.

ÉTAPE 02 Lorsque les indicateurs du tiret ③ **ZONE TEMP** atteignent la zone orange, la plaque chauffante a atteint la température réglée.

Pour de meilleurs résultats, laissez la plaque chauffante chauffer jusqu'à ce que toutes les barres soient allumées.

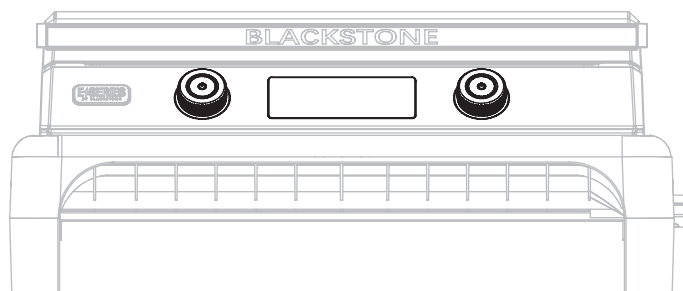


POUR ÉTEINDRE LA PLAQUE CHAUFFANTE:

ÉTAPE 01 ① Appuyez et maintenez enfoncé le bouton du bouton de commande jusqu'à ce que l'image de la température disparaisse.

ÉTAPE 02 Débranchez l'appareil.

ÉTAPE 03 Ne rangez pas l'appareil tant que l'indicateur de ④ **HOT SURFACE** ne s'est pas éteint.



DÉPANNAGE

SERVICE CLIENTS

Visitez-nous en ligne sur BlackstoneProducts.com/support pour obtenir de l'aide concernant l'utilisation de l'appareil, les pièces de rechange ou votre garantie.

HEURES D'OUVERTURE DU SERVICE CLIENT:



Lundi vendredi
7h00 - 17h00 (heure des montagnes)



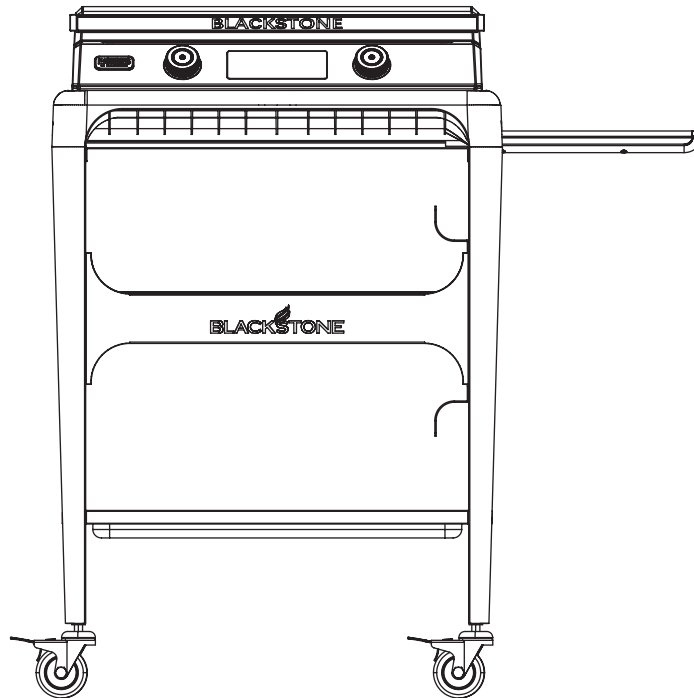
Cette page a été intentionnellement laissée vierge



Ce produit peut être couvert par un ou plusieurs brevets américains et/ou internationaux délivrés et peut inclure des demandes de brevet en instance. Pour plus d'informations, rendez-vous sur: BlackstoneProducts.com/patents

MODELO: 8003

v18



MANUAL DEL PROPIETARIO

PLANCHA ELÉCTRICA DE 22" CON CARRO DE PLANCHA INTEGRADO

TABLA DE CONTENIDO

INFORMACION DE SEGURIDAD IMPORTANTE	02
GARANTÍA	03
GUÍA DE MONTAJE.....	04
USANDO SU BLACKSTONE.....	09
SOLUCIÓN DE PROBLEMAS.....	10



Para obtener la última versión de este manual, escanee este código o visite BlackstoneProducts.com/support

IMPORTANTE:

Este manual de instrucciones contiene información importante necesaria para el correcto montaje y uso seguro del aparato.

Lea y siga todas las advertencias e instrucciones antes de ensamblar y usar el aparato.

Siga todas las advertencias e instrucciones cuando utilice el aparato.

Guarde este manual para referencia futura.

Instalador/Ensamblador: Deje estas instrucciones con el consumidor.

CLAVE DE ALERTA DE SEGURIDAD

⚠ PELIGRO

Indica una situación peligrosa que, si NO SE evita, provocará la muerte o lesiones graves.

⚠ ATENCIÓN

Indica una situación peligrosa que, si NO SE evita, podría provocar lesiones leves o moderadas.

⚠ ADVERTENCIA

Indica una situación peligrosa que, si NO SE evita, podría provocar la muerte o lesiones graves.

AVISO

Indica información que se considera importante, pero no relacionada con peligros (por ejemplo, mensajes relacionados con daños a la propiedad).

INFORMACION DE SEGURIDAD IMPORTANTE

CONSIDERACIONES IMPORTANTES

Al usar aparatos eléctricos, siempre se deben seguir las precauciones básicas de seguridad, incluidas las siguientes:

01. No toque las superficies calientes. Utilice manijas o perillas.
02. Para protegerse contra descargas eléctricas, no sumerja el cable, los enchufes o el aparato en agua u otro líquido.
03. Es necesaria una estrecha supervisión cuando cualquier aparato es utilizado por niños o cerca de ellos.
04. Desenchúfelo del tomacorriente cuando no esté en uso y antes de limpiarlo. Deje que se enfríe antes de poner o quitar piezas.
05. NO OPERE ningún aparato con un cable o enchufe dañado o después de que el aparato funcione mal o se haya dañado de alguna manera. Devuelva el aparato al centro de servicio autorizado más cercano para su examen, reparación o ajuste.
06. El uso de accesorios no recomendados por el fabricante del aparato puede causar lesiones.
07. No permita que el cable cuelgue del borde de la mesa o mostrador, ni que toque superficies calientes.
08. No lo coloque sobre o cerca de un quemador de gas o eléctrico caliente, ni en un horno caliente.
09. Se debe tener mucho cuidado al mover un aparato que contenga aceite caliente u otros líquidos calientes.
10. Para desconectar, gire cualquier control a la posición "apagado", luego retire el enchufe del tomacorriente de la pared.
11. NO UTILICE el aparato para otro uso que no sea el previsto.
12. El combustible, como las briquetas de carbón, no debe usarse con el electrodoméstico.
13. Úselo solo en un tomacorriente correctamente conectado a tierra.
14. **⚠ ATENCIÓN:** Riesgo de Descarga Eléctrica. Mantenga la conexión del cable de extensión seca y alejada del suelo.
15. El electrodoméstico no debe ser utilizado por personas (incluidos niños) con capacidades físicas, sensoriales o mentales reducidas, o falta de experiencia y conocimiento, a menos que una persona responsable de su seguridad les haya supervisado o instruido sobre el uso del electrodoméstico.
16. Los niños deben ser supervisados para asegurarse de que no jueguen con el aparato.

PARA CABLES DE EXTENSIÓN:

- a. Se proporciona un cable de alimentación corto para reducir el riesgo de enredarse o tropezarse con un cable más largo.
- b. Se encuentran disponibles cables de suministro de energía o cables de extensión más largos y se pueden usar si se tiene cuidado al usarlos.
- c. Si se utiliza un cable de alimentación o un cable de extensión más largo:
 01. La clasificación eléctrica marcada del juego de cables o cable de extensión debe ser al menos tan grande como la clasificación eléctrica del aparato.
 02. El cable debe colocarse de modo que no cuelgue sobre la encimera o la mesa, donde los niños puedan tirar de él o se tropiece sin querer.
 03. El juego de cables o el cable de extensión debe ser un cable de 3 hilos con conexión a tierra.
- d. Los cables de extensión para exteriores deben usarse con electrodomésticos para uso en exteriores y están marcados en la superficie con el sufijo "W" y con una etiqueta que dice "Adecuado para usar con electrodomésticos para exteriores".
- e. La conexión a un cable de extensión debe mantenerse seca y alejada del suelo.
- f. Guarde el aparato en el interior cuando no esté en uso, fuera del alcance de los niños.
- g. No limpie este producto con un rociador de agua o similar.

GUARDA ESTAS INSTRUCCIONES

⚠ ADVERTENCIA

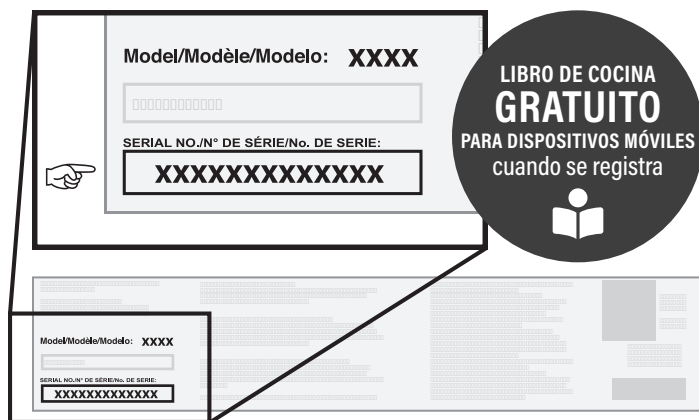
No haga funcionar este aparato sin supervisión.

GARANTÍA

La garantía de 1 año de North Atlantic Imports LLC cubre las piezas de repuesto hasta un año después de la fecha de compra.

PARA HABILITAR ESTA GARANTÍA, DEBERÁ PROPORCIONAR:

☞ Número de serie de su electrodoméstico



El número de serie se puede encontrar en la etiqueta del fabricante de su electrodoméstico.
(La etiqueta del fabricante es una calcomanía plateada grande que se encuentra en el cuerpo de su electrodoméstico).



Registre su electrodoméstico en BlackstoneProducts.com/register

DESCRIPCIÓN GENERAL DE LA GARANTÍA

North Atlantic Imports, el fabricante, garantizará durante un año desde la compra todas las piezas, la mano de obra y los acabados. Será opción del fabricante reparar o reemplazar cualquiera de los elementos anteriores. Todas las garantías se limitan únicamente al comprador original. Esta garantía no cubre ninguna responsabilidad por parte de North Atlantic Imports, sus agentes o empleados, por daños indirectos o consecuentes por incumplimiento de la garantía. El comprador debe seguir las instrucciones de uso del fabricante. Bajo ninguna circunstancia, el fabricante es responsable de los daños causados por la falta de operación adecuada de la estación de cocción. Es responsabilidad del comprador establecer el período de garantía verificando la fecha de compra original con el recibo de compra original.

EXPLICACIÓN DETALLADA DE LA GARANTÍA.

North Atlantic Imports LLC garantiza al propietario que el producto cubierto por este acuerdo está libre de defectos de material y mano de obra en condiciones normales de uso y servicio para el que fue diseñado si, pero solo si, ha sido operado de acuerdo con North Atlantic Imports LLC instrucciones exclusivamente para uso doméstico, y no para club privado o público, instituciones o fines comerciales.

La obligación de North Atlantic Imports LLC en virtud de esta garantía se limita a reemplazar o reparar, sin cargo, cualquier pieza o piezas que puedan resultar, a satisfacción de North Atlantic Imports LLC, como defectuosas bajo el uso y servicio doméstico normal dentro de los siguientes períodos establecidos de tiempo a partir de la fecha de compra; durante un año a partir de la compra, todas las piezas, el acabado y la mano de obra. En caso de que se manifieste alguna falta de conformidad con esta garantía durante los períodos de garantía aplicables mencionados anteriormente, el comprador original debe notificar a North Atlantic Imports LLC sobre el incumplimiento de la garantía dentro del período de garantía aplicable.

North Atlantic Imports LLC, previa notificación y cumplimiento por parte del comprador original de dichas instrucciones, corregirá dicha falta de conformidad mediante la reparación o el reemplazo de la pieza o piezas defectuosas.

La corrección en la forma prevista anteriormente constituirá el cumplimiento de todas las obligaciones de North Atlantic Imports LLC con respecto a la calidad del producto.

North Atlantic Imports LLC no garantiza que este equipo cumpla con los requisitos de ningún código de seguridad de ningún estado, municipio u otra jurisdicción, y el comprador original asume todos los riesgos y responsabilidades que resulten del uso del mismo, ya sea que se use de acuerdo con North Atlantic Imports Instrucciones de LLC o de otra manera.

Esta garantía no cubre y pretende excluir cualquier responsabilidad por parte de North Atlantic, sus agentes, empleados o empleados, ya sea en virtud de esta garantía o implícitos por ley, por cualquier daño indirecto o consecuente por incumplimiento de cualquier garantía. El comprador debe establecer todos los períodos de garantía aplicables de conformidad con esta garantía al verificar la fecha de compra original al presentar el recibo de compra fechado. Esta garantía NO SE aplicará a este producto ni a ninguna otra parte del mismo que haya sido objeto de accidente, negligencia, alteración, abuso o mal uso, o que haya sido reparado o alterado sin el consentimiento por escrito de North Atlantic, fuera de la fábrica de North Atlantic Imports LLC. La garantía completa del fabricante no es válida para planchas compradas a revendedores externos sin licencia, compradas con descuento debido a piezas faltantes o dañadas, o compradas como modelo de piso; a discreción de North Atlantic Imports.

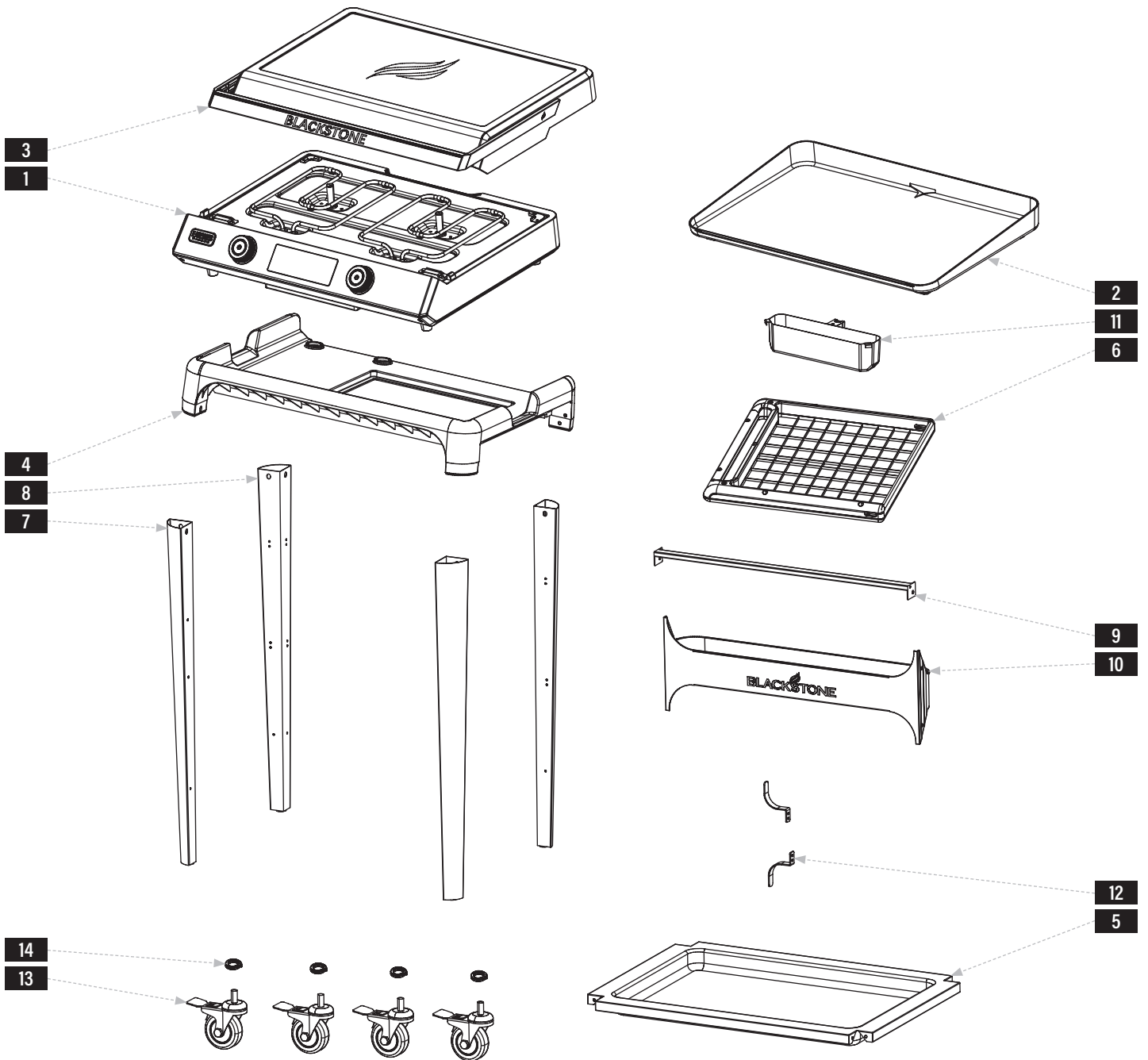
North Atlantic Imports LLC no ofrece garantía alguna con respecto a los accesorios o piezas que NO SE suministren con él. Esta garantía se aplicará únicamente dentro de los límites de los Estados Unidos de América y Canadá. Esta garantía otorga derechos específicos al comprador original, y el comprador original también puede tener otros derechos, que varían de un estado a otro.



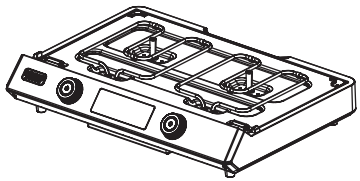
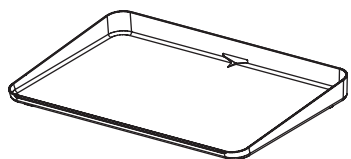

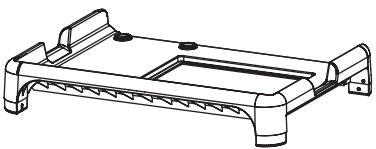
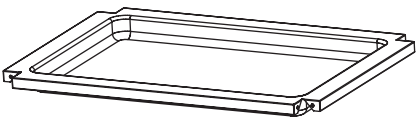
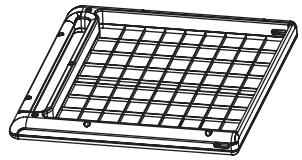
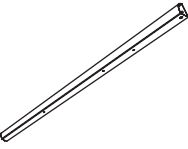
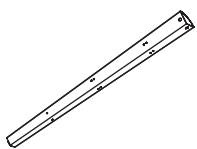
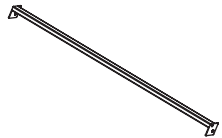

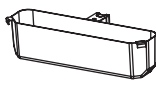
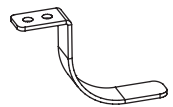
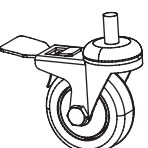
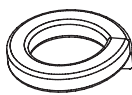
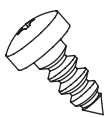
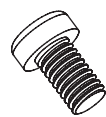
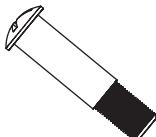
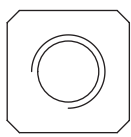
GUÍA DE MONTAJE

VISTA EN DESPIECE ORDENADO

ESPAÑOL



LISTA DE PARTES

<p>1 Cuerpo de plancha (1 pieza)</p> 	<p>2 Plancha superior (1 pieza)</p> 	<p>3 Montaje de capota (1 pieza)</p> 			
<p>4 Tablero de mesa (1 pieza)</p> 	<p>5 Estante interior (1 pieza)</p> 	<p>6 Estante lateral (1 pieza)</p> 			
<p>7 Patas delanteras (2 piezas)</p> 	<p>8 Patas traseras (2 piezas)</p> 	<p>9 Tirante trasero (1 pieza)</p> 	<p>10 Estante para accesorios (1 pieza)</p> 	<p>11 Copa de grasa (1 pieza)</p> 	<p>12 Soportes para cable de alimentación (2 piezas)</p> 
<p>13 Ruedas giratorias (1 pieza)</p> 	<p>a. Arandelas elásticas (4 piezas)</p> 	<p>b. Tornillos autorros-cantes (4 piezas)</p> 	<p>c. Tornillos M6x12 (20 piezas)</p> 	<p>d. Pernos escalonados (2 piezas)</p> 	<p>e. Tuercas M6 (10 piezas)</p> 

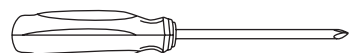
ESPAÑOL

INSTRUCCIONES DE MONTAJE

Encuentre un área grande y limpia para ensamblar su electrodoméstico. Retire todo el material de embalaje antes de ensamblar.

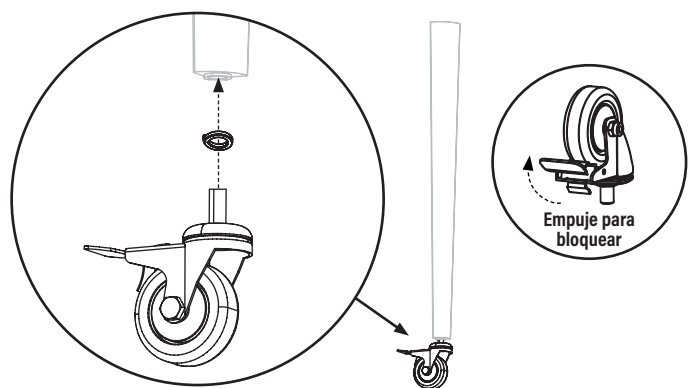
⚠ ATENCIÓN
Bordes afilados. Use guantes durante el montaje.

REQUISITOS ELÉCTRICOS:
120V 60Hz



HERRAMIENTA NECESARIA:
Destornillador de cabeza Phillips n.º 3

PASO 01 Deslice una (1) arandela elástica en una (1) rueda giratoria. Atornille la rueda giratoria en una (1) pata. Repita con las otras tres (3) ruedas giratorias, (3) arandelas elásticas y tres (3) patas. (Asegúrese de que las ruedas estén bloqueadas).

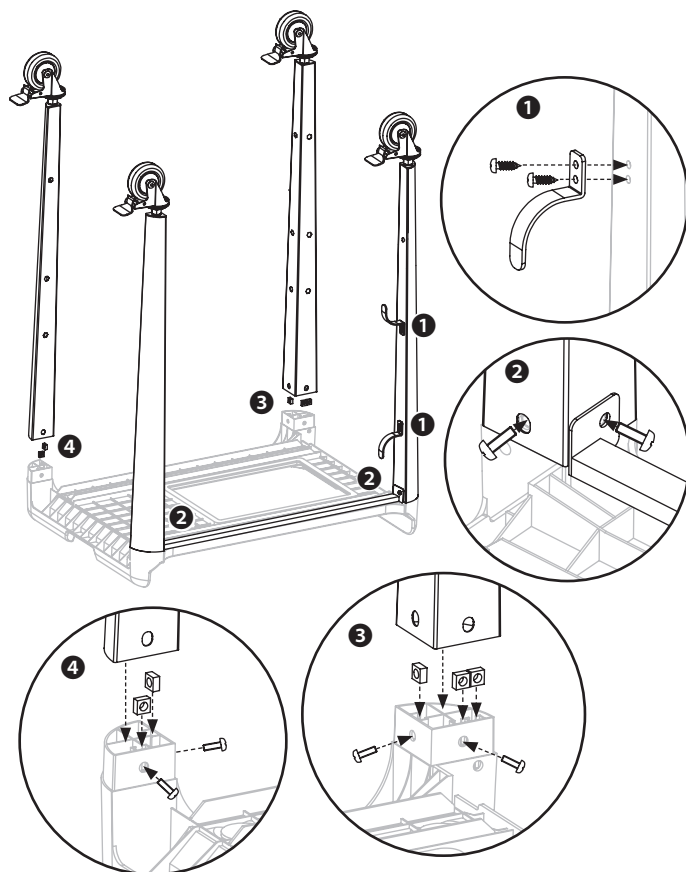


PASO 02 1 Utilice cuatro (4) tornillos autorroscantes para sujetar los dos (2) soportes del cable de alimentación a la pata trasera derecha.

2 Deslice las dos (2) patas traseras en su lugar y use (4) tornillos M6x12 para sujetar las patas y la abrazadera de la pata trasera a la parte superior de la mesa.

3 Para la pata delantera derecha, coloque tres (3) tuercas M6 en el poste de la pata de la parte superior de la mesa, deslice la pata en su lugar y use (2) tornillos M6x12 para asegurarla.

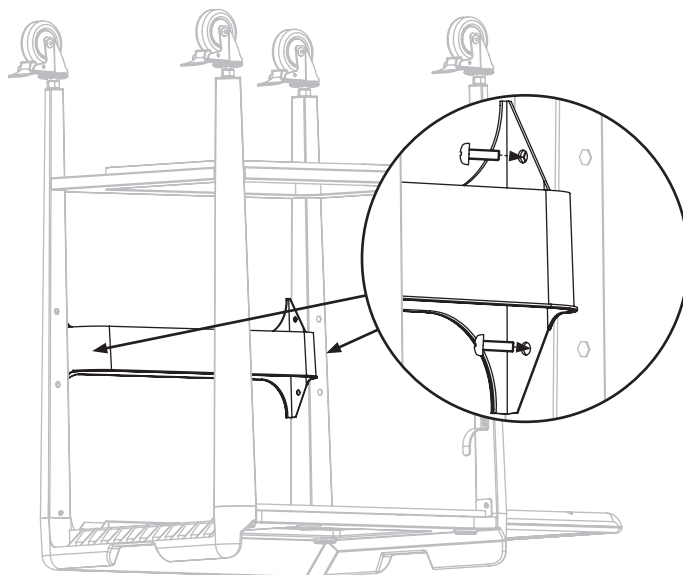
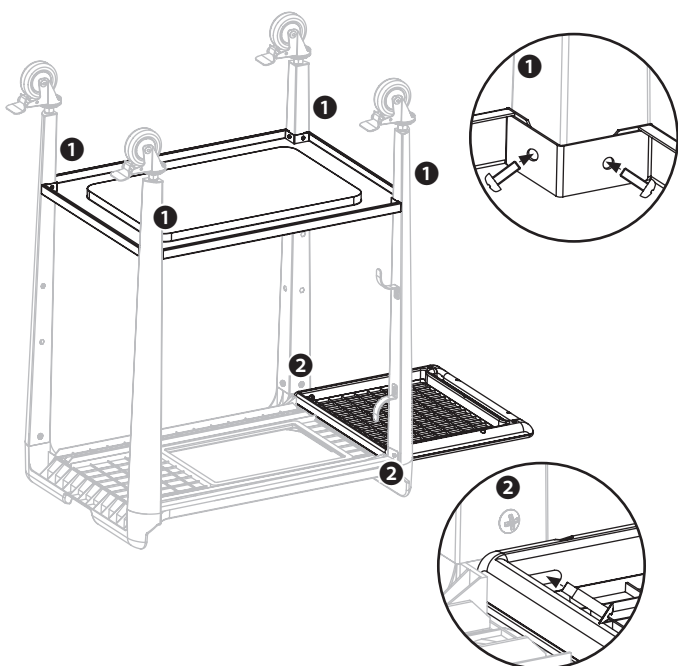
4 Para la pata delantera izquierda, coloque dos (2) tuercas M6 en el poste de la pata superior de la mesa, deslice la pata en su lugar y use (2) tornillos M6x12 para asegurar.



PASO 03 1 Utilice ocho (8) tornillos M6x12 para fijar el estante inferior a las patas.

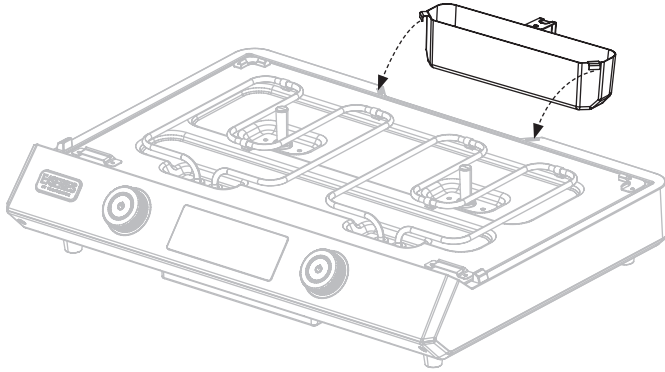
2 Use dos (2) pernos escalonados para sujetar el estante lateral a las patas izquierdas.

PASO 04 Utilice cuatro (4) tornillos M6x12 para fijar el estante de accesorios a las patas delanteras. Coloque el carro sobre sus pies.

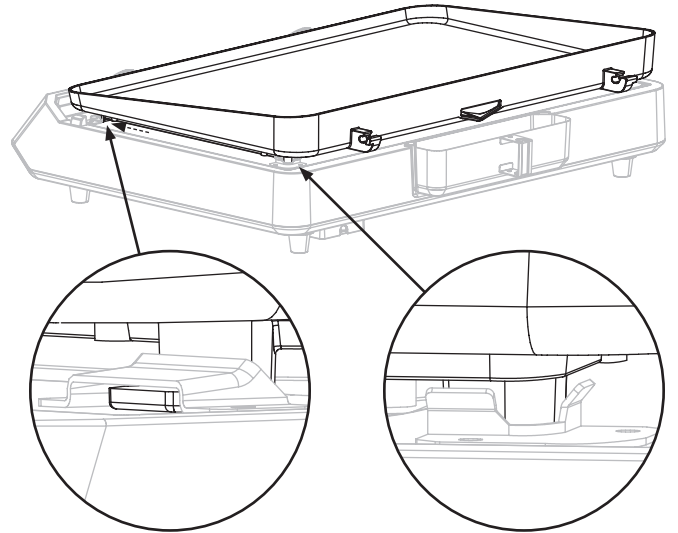




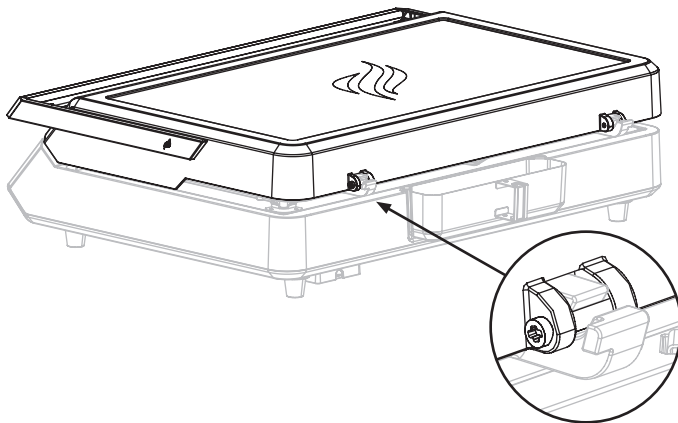
PASO 05 Antes de instalar la parte superior de la plancha en el cuerpo de la plancha, retire la etiqueta de advertencia del cuerpo de la plancha. Cuelgue el recipiente para grasa en las ranuras en la parte posterior del cuerpo de la plancha.



PASO 06 Coloque la parte superior de la plancha sobre el cuerpo de la plancha. Deslice las patas delanteras superiores de la parrilla en los soportes delanteros. Las patas traseras deben descansar contra los soportes traseros.



PASO 07 Coloque la campana en la parte superior de la plancha. Inserte las bisagras de la campana en los soportes de la campana.



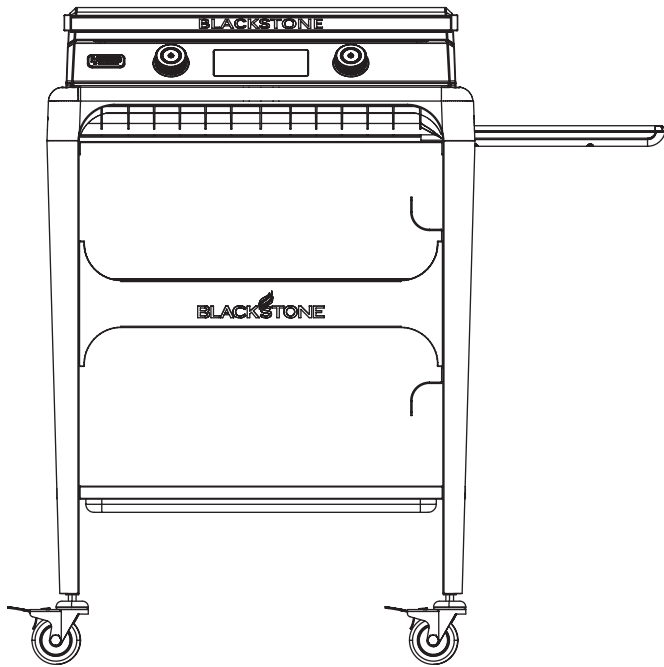
PASO 08 Coloque el carro sobre sus pies. Coloque el cuerpo de la plancha en el carrito.



ESPAÑOL

PASO 09 Continúe con **USANDO SU BLACKSTONE.**

AVISO
No deje la campana cerrada por más de 10 minutos mientras cocina.



ESPAÑOL



USANDO SU BLACKSTONE

LIMPIEZA POR PRIMERA VEZ

Lave la superficie de la plancha antes del uso inicial.

- No permita que los componentes eléctricos entren en contacto con el agua.
- No deje agua sobre la superficie de la plancha durante más de dos horas.
- No lave la parte superior de la plancha en el lavavajillas.
- Evite usar cualquier cosa que pueda rayar la superficie, incluidos estropajos metálicos y limpiadores abrasivos.

COCINAR EN TU BLACKSTONE

⚠ PELIGRO

Los artículos inflamables pueden arder si se colocan cerca del aparato. No coloque artículos inflamables como envases de aerosol, toallas aceitosas o grasientas cerca de la superficie de cocción.

⚠ ATENCIÓN

Este aparato estará caliente durante y después de su uso. No manipule piezas calientes con las manos sin protección. Use utensilios de mango largo que no sean de metal y manoplas para horno/guantes protectores para protegerse contra quemaduras y salpicaduras.

AVISO

No guarde ningún artículo a menos de 8 cm (3 pulgadas) de la superficie de cocción mientras está en uso.

PROTECCIÓN DE LA SUPERFICIE ANTIADHERENTE

- No es necesario sazonar la parte superior de la plancha.
- No corte directamente sobre la superficie de la plancha.
- Utilice únicamente utensilios de cocina de plástico, caucho, madera y/o nailon en la superficie de cocción.
- El spray para cocinar que contiene lecitina degradará la capa antiadherente. Recomendamos utilizar aceite de cocina normal en una botella con atomizador.

PARA LA LIMPIEZA DIARIA:

PASO 01 Asegúrese de que la taza de grasa esté en su lugar.

PASO 02 Limpie la superficie de la plancha con un paño húmedo y jabonoso o una toalla de papel.

PASO 03 Lave el jabón y seque.

PARA UNA LIMPIEZA PROFUNDA:

PASO 01 Asegúrese de que la taza de grasa esté en su lugar.

PASO 02 Baje el fuego a bajo.

PASO 03 Mientras usa guantes de goma, use una (1) cucharada de jabón suave por cada (1) taza de agua caliente y limpie la superficie de la plancha con un paño o una almohadilla de limpieza no metálica.

PASO 04 Apague la plancha y, una vez que se enfríe, limpie la superficie con un paño húmedo y jabonoso o una toalla de papel.

PASO 05 Lave el jabón y seque.

INSTRUCCIONES DE ENCENDIDO

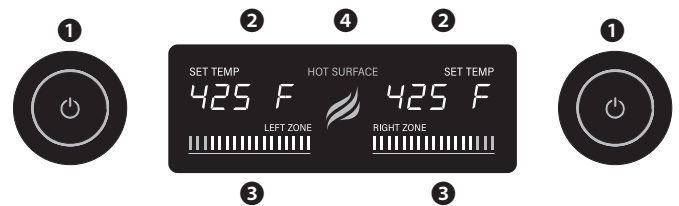
PARA ENCENDER LA PLANCHA:

PASO 01 ❶ Mantenga presionado el botón de la perilla de control para que aparezcan las preferencias de medición de temperatura. Gire la perilla para seleccionar Fahrenheit o Celsius. Presione la perilla de control para seleccionar. Gire la perilla de control hasta que ❷ **SET TEMP** muestre la temperatura deseada.

Presione la perilla de control para configurar la temperatura.

PASO 02 Cuando los indicadores del tablero ❸ **ZONE TEMP** alcanzan el área naranja, la plancha ha alcanzado la temperatura establecida.

Para obtener mejores resultados, permita que la plancha se caliente hasta que todas las barras estén iluminadas.

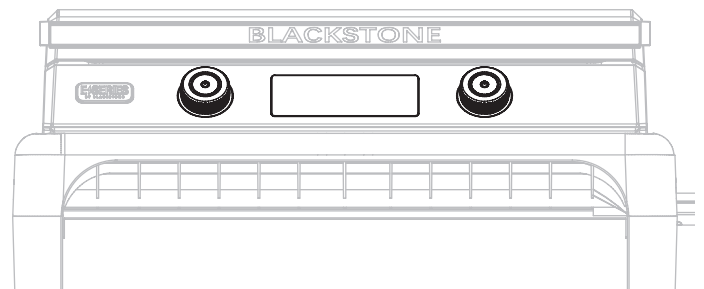


PARA APAGAR LA PLANCHA:

PASO 01 ❶ Mantenga presionado el botón de la perilla de control hasta que desaparezca la imagen de temperatura.

PASO 02 Desenchufe el aparato.

PASO 03 No guarde el aparato hasta que el indicador de ❷ **HOT SURFACE** se haya apagado.





SOLUCIÓN DE PROBLEMAS

ATENCIÓN AL CLIENTE

Visítenos en línea en BlackstoneProducts.com/support para obtener ayuda sobre el uso del aparato, las piezas de repuesto o la garantía.

HORARIO DE ATENCIÓN AL CLIENTE:



Lunes Viernes

7:00 am a 5:00 pm (Hora de la montaña)



Esta página se dejó en blanco intencionalmente



Este producto puede estar cubierto por una o más patentes estadounidenses y/o internacionales emitidas y puede incluir solicitudes de patentes pendientes.
Para obtener más información, visite: BlackstoneProducts.com/patents