

OWNER'S MANUAL

3 BURNER GRIDDLE

NATURAL GAS READY DROP-IN WITH HOOD

TABLE OF CONTENTS

IMPORTANT SAFETY INFORMATION	02
CUSTOMER SUPPORT	03
ASSEMBLY GUIDE	04
USING YOUR BLACKSTONE	08
TROUBLESHOOTING	15



For the latest version of this manual, scan this code or visit BlackstoneProducts.com/support

IMPORTANT:

This instruction manual contains important information necessary for the proper assembly and safe use of the appliance.

Read and follow all warnings and instructions before assembling and using the appliance.

Follow all warnings and instructions when using the appliance.

Keep this manual for future reference.

Installer/Assembler: Leave these instructions with the consumer.

SAFETY ALERT KEY

⚠ DANGER

Indicates a hazardous situation that, if not avoided, will result in death or serious injury.

⚠ CAUTION

Indicates a hazardous situation that, if not avoided, could result in minor or moderate injury.

⚠ WARNING

Indicates a hazardous situation that, if not avoided, could result in death or serious injury.

NOTICE

Indicates information considered important, but not hazard-related (e.g. messages related to property damage).

IMPORTANT SAFETY INFORMATION

ENGLISH

⚠ DANGER

If you smell gas:

- Shut off gas to the appliance.
- Extinguish any open flame.
- Open hood (if applicable).
- If odor continues, keep away from the appliance and immediately call your gas supplier or your fire department.

Failure to follow these instructions could result in fire or property damage, personal injury or death.

⚠ DANGER

- NEVER operate this appliance unattended.
- If a fire should occur, keep away from the appliance and immediately call your fire department. DO NOT attempt to extinguish an oil or a grease fire with water.

Failure to follow these instructions could result in fire or property damage, personal injury or death.

ELECTRIC APPLIANCE SAFETY

TO PROTECT AGAINST ELECTRIC SHOCK:

- DO NOT immerse cord or plugs in water or other liquid.
- Unplug from the outlet when not in use and before cleaning. Allow to cool before putting on or taking off parts.
- DO NOT operate this appliance with a damaged cord, plug, or after the appliance malfunctions or has been damaged in any manner. Contact the manufacturer for repair.
- DO NOT let the cord hang over the edge of a table or touch hot surfaces.
- Keep any electrical supply cord and the fuel supply hose away from heated surfaces.
- When connecting, first connect plug to the appliance then into the outlet.

USE ONLY A GROUND FAULT INTERRUPTER (GFI) PROTECTED CIRCUIT WITH THIS APPLIANCE.

- This appliance, when installed, must be electrically grounded in accordance with local codes or, in the absence of local codes, with NFPA 70 Canadian Electrical Code, Part I.
- DO NOT remove the grounding plug or use with an adapter of 2 prongs.
- Use only extension cords with a 3 prong grounding plug, rated for the power of the equipment, and approved for outdoor use with a W-A marking.

⚠ WARNING

- DO NOT store or use gasoline or other flammable liquids or vapors in the vicinity of this or any other appliance.
- An LPG cylinder not connected for use shall not be stored in the vicinity of this or any other appliance.

GAS APPLIANCE SAFETY

- The use of alcohol, prescription, or non-prescription drugs may impair the consumer's ability to properly assemble or safely operate the appliance.
- Keep children and pets away from the appliance at all times.
- Have a type BC or ABC fire extinguisher readily available.

DO NOT USE FOR PURPOSES OTHER THAN INTENDED.

- For outdoor domestic use only, not for commercial use.
- DO NOT use this appliance as a heater.

⚠ WARNING

Improper installation, use, adjustment, alteration, service, modification, or maintenance can cause injury or property damage. Refer to this manual.

INSTALLATION MUST CONFORM WITH LOCAL CODES.

In the absence of local codes, installation must conform with either ANSI Z223.1/NFPA 54, CSA B149.1, or CSA B149.2.




CUSTOMER SUPPORT

CONTACT US

Visit us online at BlackstoneProducts.com/support for assistance concerning appliance use, replacement parts, or your warranty.

CUSTOMER SUPPORT HOURS:

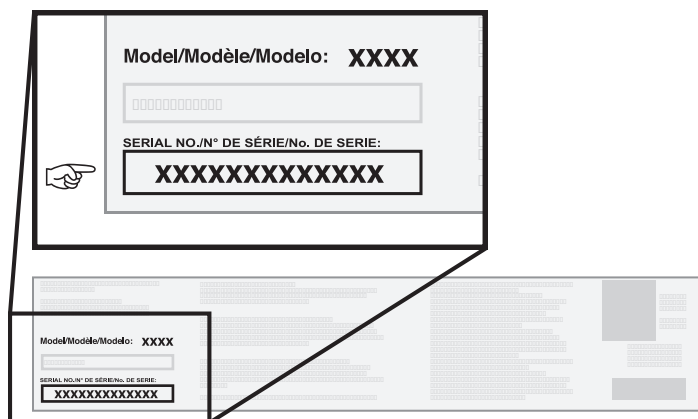
 Monday - Friday
7:00 am - 5:00 pm (Mountain Time Zone)

SERIAL NUMBER LOCATION

To enable your warranty, you will need to provide your appliance's Serial Number.

The Serial Number can be found on your appliance's Manufacturer Label.

(The Manufacturer Label is a large silver sticker found on the body of your appliance.)



**FREE
E-COOKBOOK**
WHEN YOU REGISTER



ONE YEAR WARRANTY

North Atlantic Imports, LLC warrants this product against defects in materials and workmanship for a period of one (1) year from the original date of purchase under normal use. To the extent any such defects occur, North Atlantic Imports, LLC, in its discretion, will provide the appropriate replacement part(s) at no charge.

In no event shall North Atlantic Imports, LLC be liable for consequential, indirect or incidental damages resulting from the installation, use or failure of the product.

This warranty DOES NOT cover:

- Inspection costs or labor for replacement of any defective part(s);
- Cosmetic defects which DO NOT affect product performance or integrity;
- Normal wear and tear;
- Damage due to vandalism; acts of nature, including but not limited to wind, storms, hail, floods;
- Improper assembly, installation, or use;
- Discoloration or fading of the finish as a result of exposure to chemicals, spills, pool or salt water;
- Corrosion/ rust.

This product has been designed for safety and quality. Any modifications made to the original product could compromise its structural integrity or function and could lead to product failure or personal injury. As such, modifying this product voids all warranties.

This product is for RESIDENTIAL USE ONLY, and is not for commercial, contract or other non-residential purposes. North Atlantic Imports, LLC disclaims all other representations and warranties of any kind, express or implied.

The warranty applies to the original purchaser and is non-transferable. It does not apply to accessories or parts not supplied with the product, to purchases of display models, or to product that is sold on clearance or "as is". You may, however, have other specific legal rights based on the laws of your specific state or country of residence.

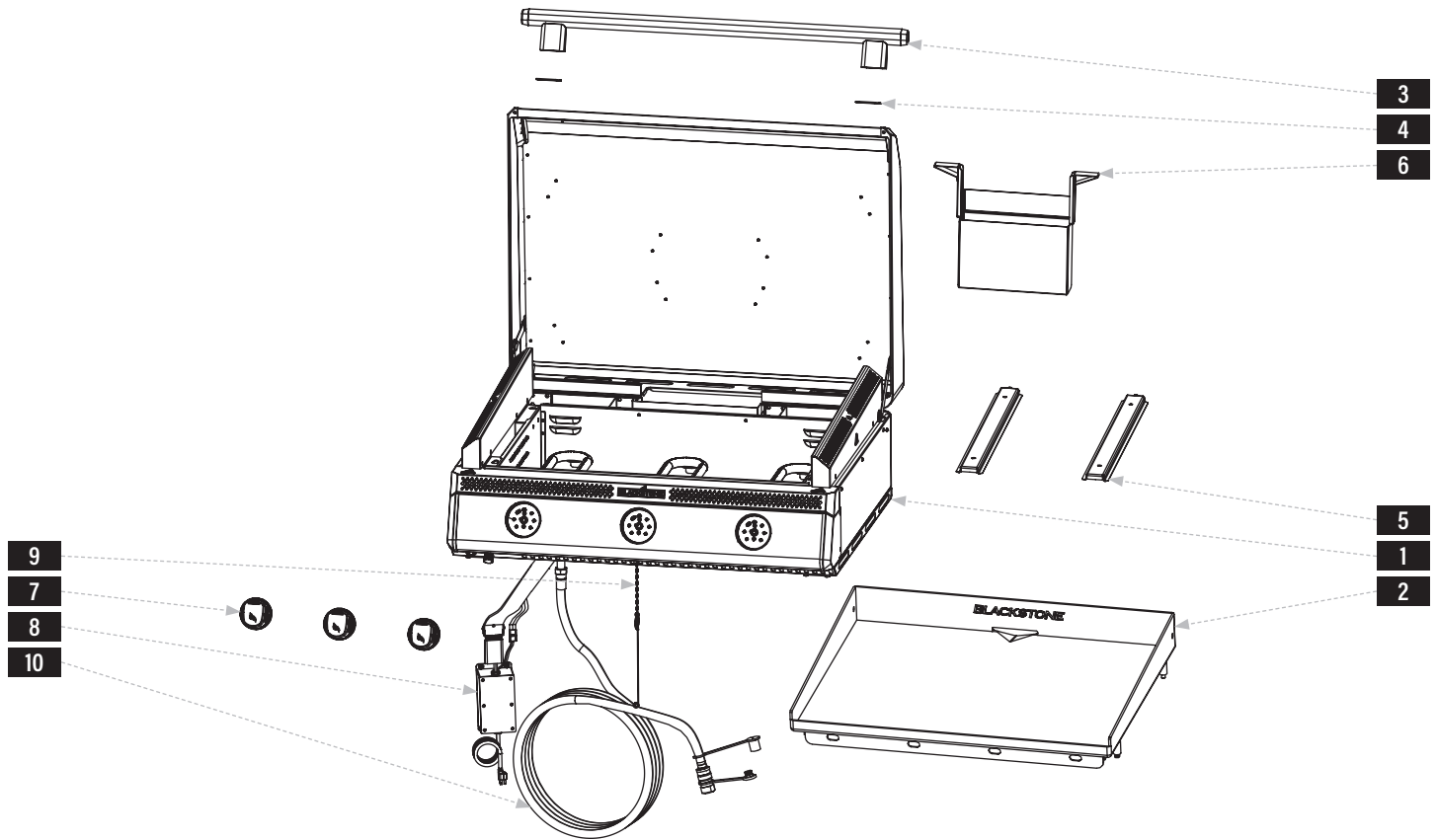
To activate your warranty, register your product at BlackstoneProducts.com/register

North Atlantic Imports, LLC reserves the right to change or modify this warranty at any time.

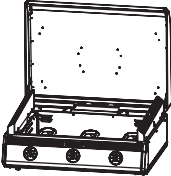
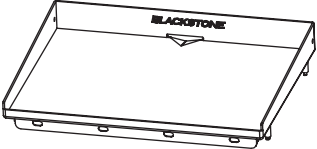
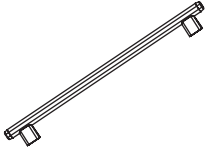
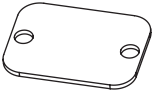
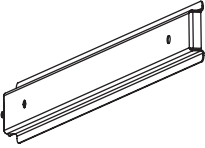


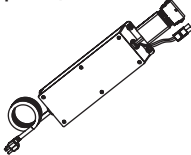


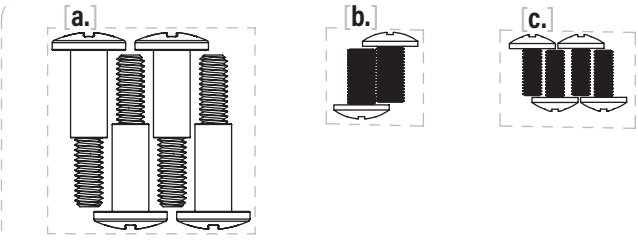
ASSEMBLY GUIDE

EXPLODED VIEW

ENGLISH



PARTS LIST

<p>1 Griddle body (1 piece)</p> 	<p>2 Griddle top (1 piece)</p> 	<p>3 Hood handle (1 piece)</p> 	<p>4 Mica washers (2 pieces)</p> 
<p>5 Hat channels (2 pieces)</p> 	<p>6 Grease cup (1 piece)</p> 	<p>7 Control knobs (3 pieces)</p> 	<p>8 PCB box (1 piece)</p> 
<p>9 Match holder (1 piece)</p> 	<p>10 Hose and quick connect fitting (1 piece)</p> 	<p>11 Hardware pack (1 piece)</p> <p>a. M6 shoulder bolts (4 pieces)</p> <p>b. M5x10 screws (2 pieces)</p> <p>c. M4x10 screws (4 pieces)</p> 	



ASSEMBLY INSTRUCTIONS

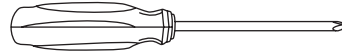
Find a large, clean area to assemble your appliance.
Remove all packing material before assembling.

⚠ CAUTION

Sharp edges. Wear gloves while assembling.

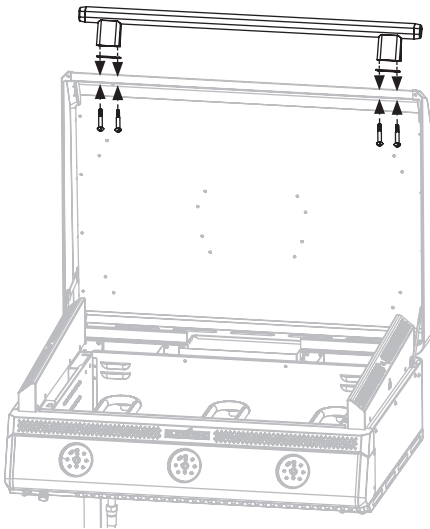
⚠ CAUTION

Heavy pieces. Two people should assemble this appliance.

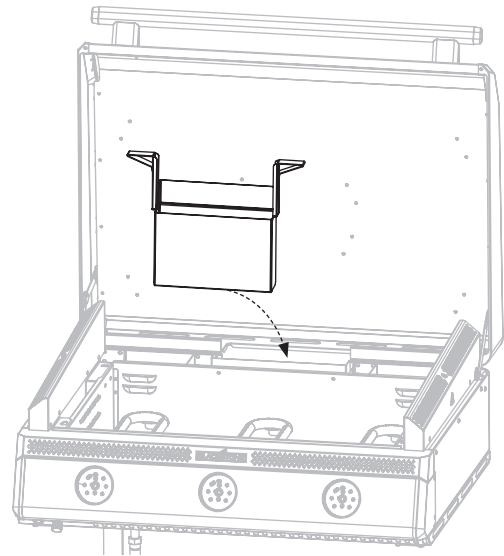


TOOL NEEDED:
#3 Phillips head screwdriver

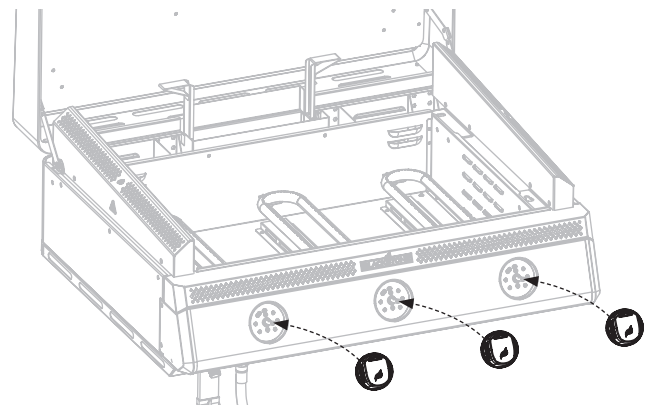
STEP 01 Use four (4) M6 shoulder bolts [a.] to attach the handle and hood handle standoff and two (2) mica washers to the front of the hood.



STEP 02 Slide the grease cup into the holder on the back of the griddle body.

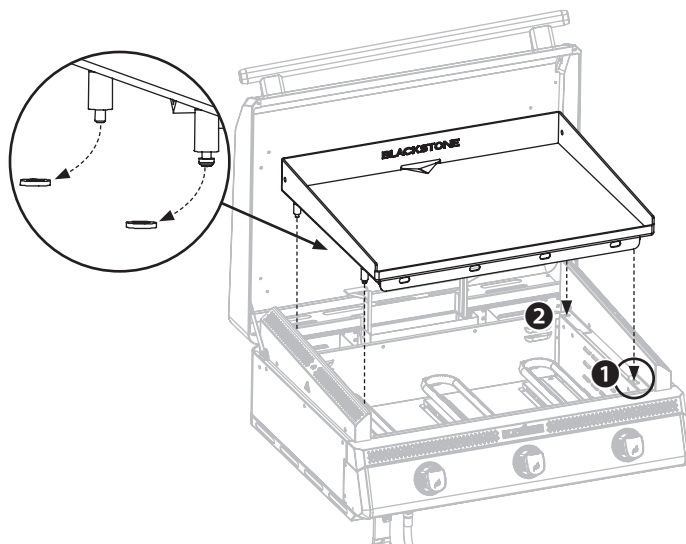
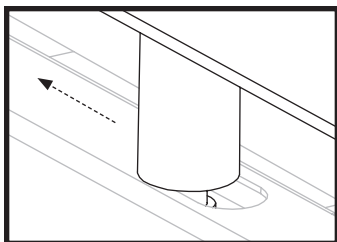


STEP 03 Install the three (3) control knobs by pushing them into place in the OFF position.

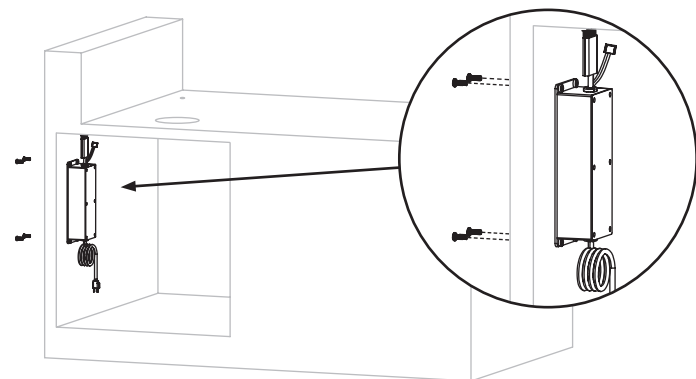


STEP 04 Remove the four (4) protective washers from the griddle foot pins. **With the help of another person**, place the griddle top onto the griddle body by aligning the four foot pins to the holes on top of the unit.

- 1 Place the two front pins into the front locking holes and push the griddle top back.
- 2 Then, set the two rear pins into the rear holes.

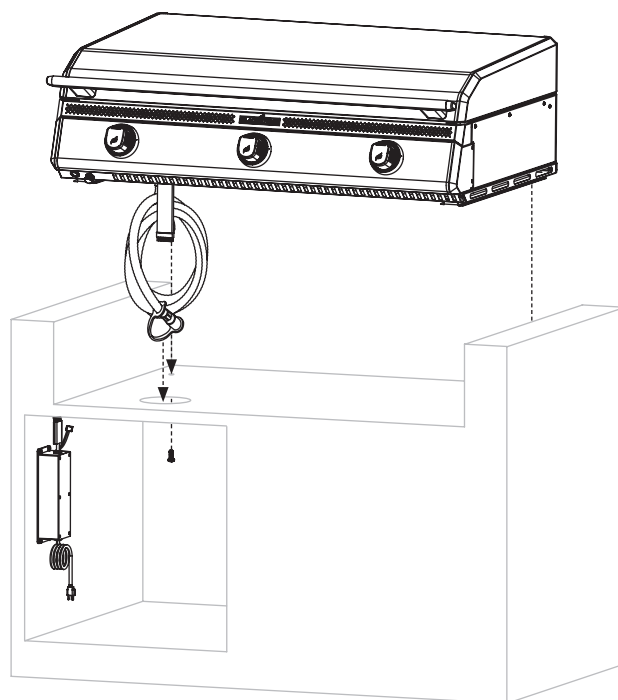


STEP 05 Use four (4) M4x10 screws [c.] to attach the PCB box to the left side panel of your cabinet.



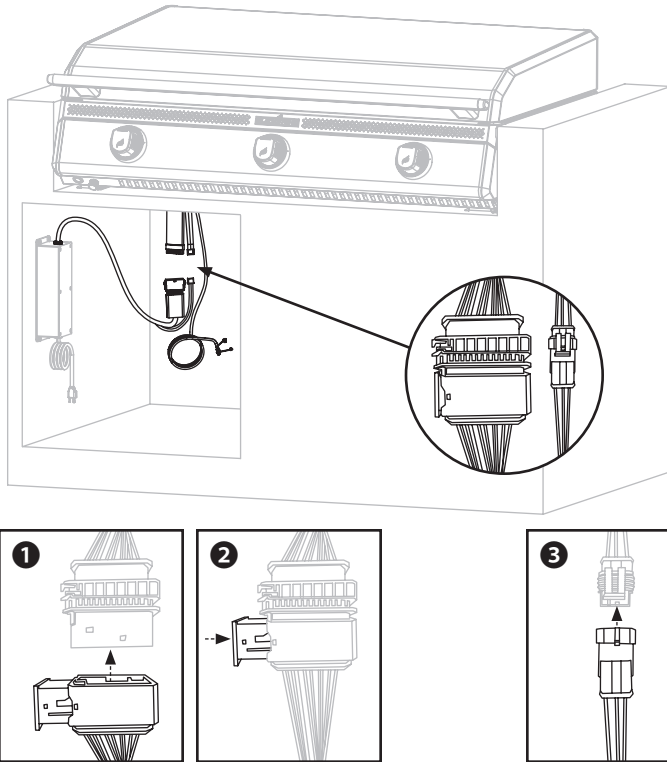
STEP 06 **With the help of another person**, direct the hose and electric wires through the cabinet hole and place the griddle body on top of your cabinet.

Use two (2) M5x10 screws [b.] to attach the griddle body to your cabinet.

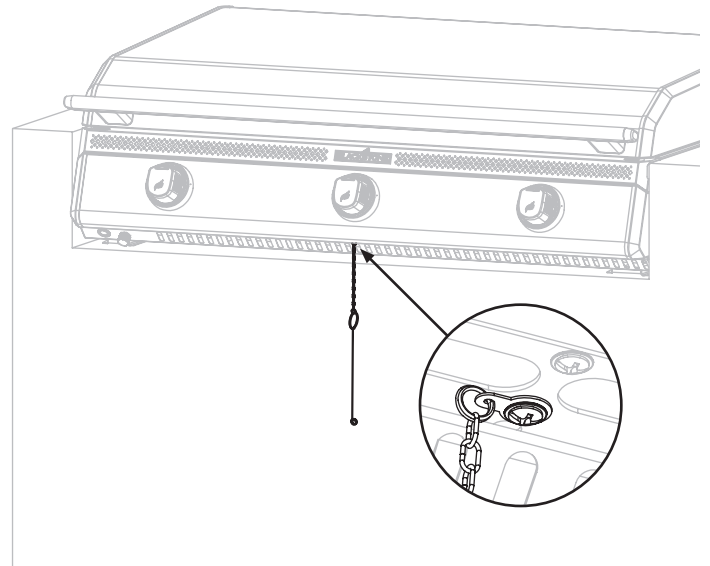




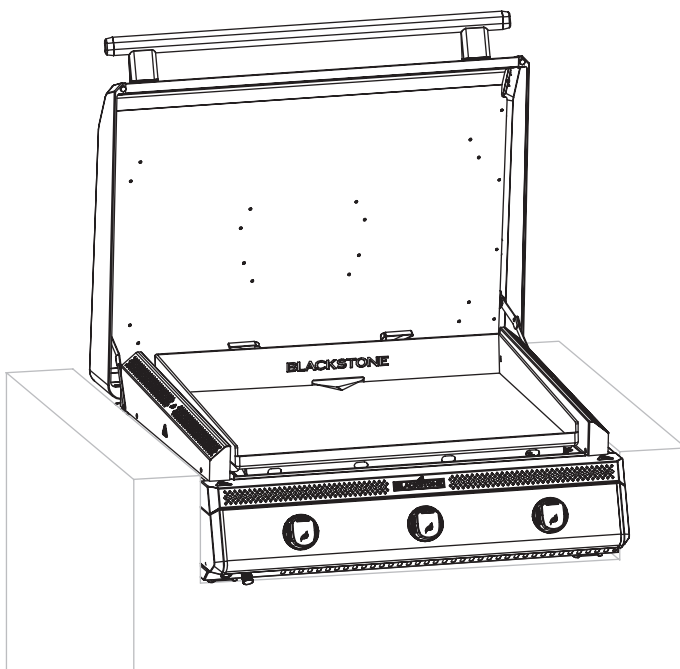
- STEP 07**
- 1 Push the 18P male and female connector together.
 - 2 Depress the yellow clip to lock the connector.
 - 3 Push the 3P male and female connector together.



- STEP 08** Remove the self-tapping screw from the griddle body and use it to attach the match holder.



- STEP 09** Proceed to **USING YOUR BLACKSTONE.**



CAUTION

Hot appliance. The cover/lid/hood (as applicable) **MUST** be open/removed when the appliance is in use.

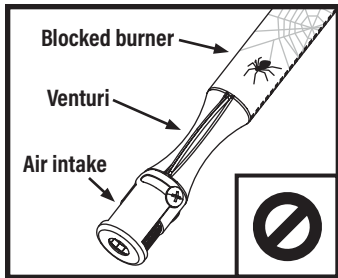
USING YOUR BLACKSTONE

BEFORE COOKING

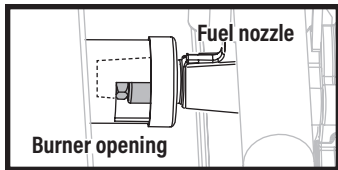
CHECK BURNERS

Prior to connection and use, ensure that there is no debris caught in, or damage to, the head of the gas cylinder, regulator, hose, burner and burner ports.

Spiders and insects can nest within and clog the burner/venturi tube at the orifice.



⚠ WARNING
A clogged burner can lead to a fire beneath the appliance. Burner should be removed and cleaned whenever blockages are found.



⚠ Ensure that the gas rail fuel nozzle orifice is correctly engaged within the burner opening.

THE MINIMUM AMBIENT OPERATING TEMPERATURE IS 0°F (-18°C).

⚠ DANGER
Flammable items can combust if placed near the appliance. Keep the appliance area clear and free from combustible materials, aerosol containers, gasoline and other flammable vapors and liquids.

⚠ CAUTION
If the appliance is fitted with a paper towel holder, the arm must be in the open position while the appliance is in use.

IF GREASE OR OTHER HOT MATERIAL DRIPS ONTO VALVE, HOSE OR REGULATOR:

STEP 01 Turn off gas supply immediately.

STEP 02 Determine the cause and correct it.

STEP 03 Clean and inspect valve, hose and regulator.

STEP 04 Perform a leak test. (Please reference the Leak Test Instructions)

SETTING UP YOUR OUTDOOR SPACE

THIS APPLIANCE MUST ONLY BE USED OUTDOORS.

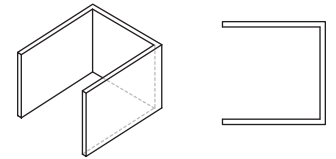
- DO NOT use this appliance inside buildings, garages, or any other enclosed area.
- DO NOT install this appliance in or on a boat.
- DO NOT install this appliance in or on a recreational vehicle.

SHELTERED OUTDOOR AREAS:

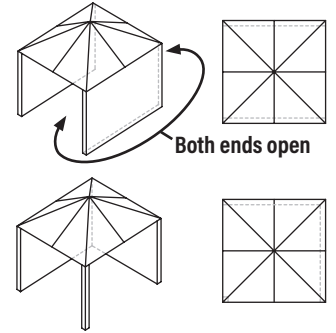
All openings must be permanently open; sliding doors, garage doors, windows or screened openings are not considered as permanent openings.

An appliance is considered to be outdoors if installed with shelter no more inclusive than:

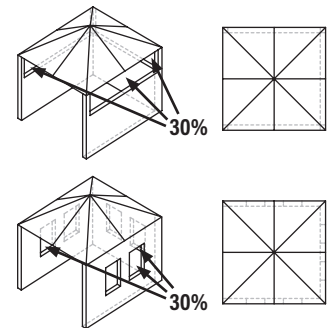
a. With walls on three sides, but with no overhead cover.



b. Within a partial enclosure that includes an overhead cover and no more than two sidewalls. The sidewalls may be parallel, as in a breezeway, or at right angles to each other.

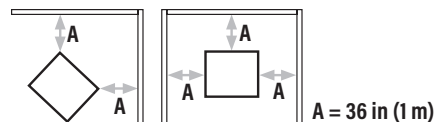


c. Within a partial enclosure that includes an overhead cover and three sidewalls, as long as 30% or more of the horizontal periphery of the enclosure is permanently open.



MAINTAIN PROPER CLEARANCES FROM COMBUSTIBLE MATERIAL.

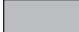

- DO NOT use this appliance on or under any apartment or condominium balcony or deck.
- DO NOT obstruct the flow of combustion and ventilation air.
- DO NOT operate this appliance any closer than 36 in (1 m) from the sides and back of the appliance to combustible construction.



BUILT-IN INSTALLATION

- If your cabinet/ structure has external or internal combustible components (wood, plastic, etc.) your griddle **MUST** use an insulating jacket.
- If installed under overhead combustible construction, the appliance **MUST** be installed in conjunction with a suitable UL710 or UIC S646 approved heavy duty vent hood only.

INSULATING JACKET REQUIREMENTS

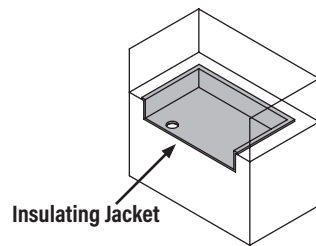
-  **NO** combustibles in this area
-  Combustibles **OKAY** in this area

WITH JACKET

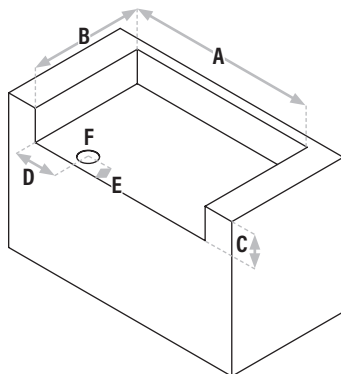
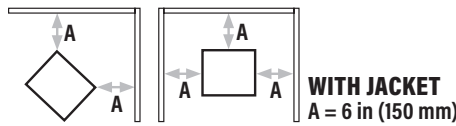
Cabinet/ structure can be made with combustibles (Wood, plastic (PVC, HDPE), oil-based paint, lacquer, etc.)

NOTICE

The insulating jacket must be permanently secured to the cabinet.



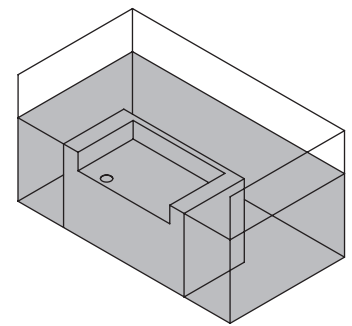
DO NOT operate this appliance any closer than 6 in (150 mm) from the sides and back of the appliance to vertical combustible construction. (walls/ backsplash)



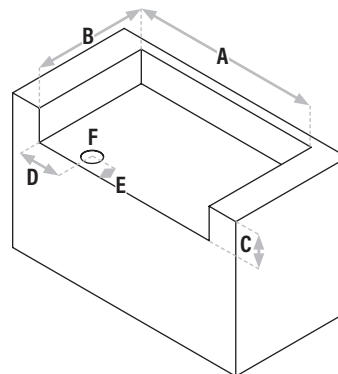
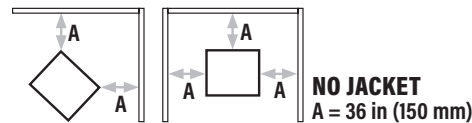
CAVITY MINIMUM DIMENSIONS	
A: Width =	35.4 in (89.92 cm)
B: Depth =	26.09 in (66.27 cm)
C: Height =	9.16 in (23.27 cm) (> will interfere with hood)
HOLE MINIMUM DIMENSIONS	
D: From side =	9.39 in (23.86 cm)
E: From front =	5.05 in (12.83 cm)
F: Diameter =	4.33 in (10.93 cm)

NO JACKET

Cabinet/ structure **MUST** be made with NON-combustibles ONLY (Brick, stone, cement, metal, glass, etc.)



DO NOT operate this appliance any closer than 36 in (1 m) from the sides and back of the appliance to combustible construction.



CAVITY MINIMUM DIMENSIONS	
A: Width =	33.32 in (84.64 cm)
B: Depth =	25.02 in (63.56 cm)
C: Height =	7.59 in (19.28 cm) (> will interfere with hood)
HOLE MINIMUM DIMENSIONS	
D: From side =	8.35 in (21.21 cm)
E: From front =	5.05 in (12.83 cm)
F: Diameter =	4.33 in (10.93 cm)

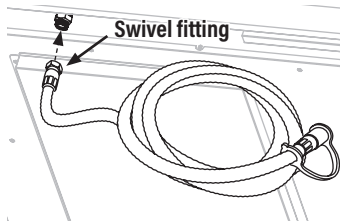
NATURAL GAS REQUIREMENTS

- The fixed fuel piping system must use a rigid pipe, semi-rigid tubing and/or a connector that complies with the Standard for Connectors for Outdoor Gas Appliances and Manufactured Homes, ANSI Z21.75 - CSA 6.27.
- This appliance has been designed and built to utilize natural gas only. DO NOT attempt to operate this appliance using gases other than natural gas at the indicated pressure.
- This appliance has been provided with a hose that must be used for proper function. DO NOT replace the hose. If the hose becomes worn or damaged, contact customer support for a replacement.

CONNECTING TO THE NATURAL GAS SUPPLY

STEP 01 Use an adjustable wrench to attach the natural gas hose swivel fitting to the appliance.

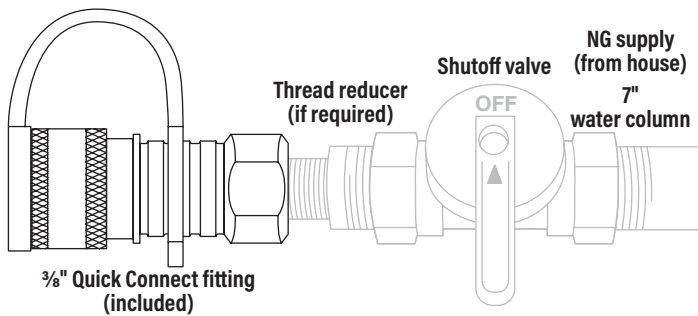
- DO NOT route the gas supply hose directly underneath the appliance. DO NOT route the hose underneath or through permanent structures.
- The hose should be checked for cracks, cuts and wear each time you cook.



STEP 02 If your natural gas supply line is not already set up with the correct size Quick Connect/Disconnect fitting, the correct one is included.

Note: Use thread sealant if attaching the provided Quick Connect/Disconnect fitting. Thread sealant should be rated to 400° F (204°C) and be compatible with natural gas. (Permatex #59214 or Loctite 592)

Note: To have the proper fitting added to your natural gas source, have this done by a licensed and insured professional.



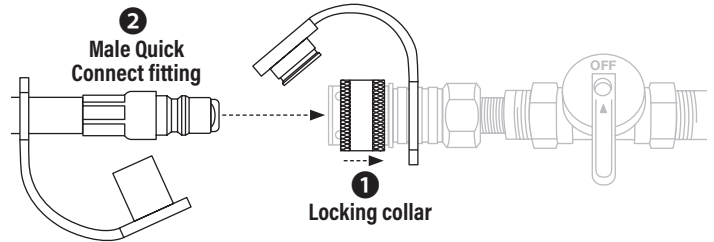
DISCONNECTING FROM THE NATURAL GAS SUPPLY

STEP 01 To disconnect your appliance for cleaning or storage, be sure all of the control knobs are in the OFF position and the natural gas supply at the Quick Connect valve is OFF.

STEP 02 ① Pull the locking collar back and remove the natural gas hose and release the locking collar. ② Pull apart the hose and fitting.

STEP 03 Reinstall the dust covers on the supply line as well as the natural gas hose on the appliance.

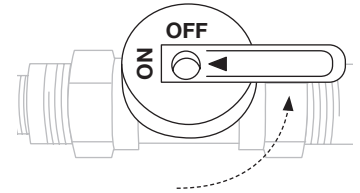
STEP 03 Connect your appliance to the natural gas supply from the source by removing the dust covers and making sure both fittings are free from any debris. ① Pull the locking collar back on the fitting and ② push the male Quick Connect fitting all the way inside and then release the locking collar.



Pull the hose and fitting in opposite directions to verify they are connected.

STEP 04 Turn on the natural gas supply.

Prior to turning on your appliance, perform a leak test.

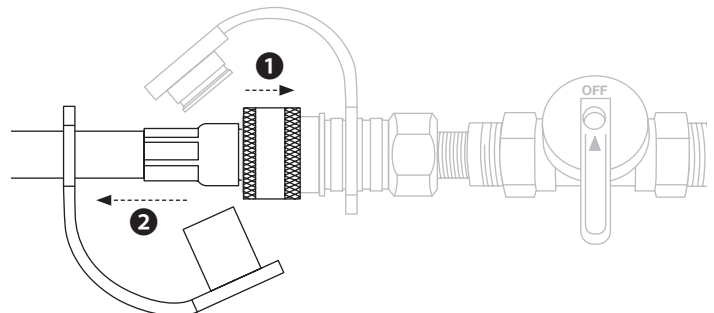
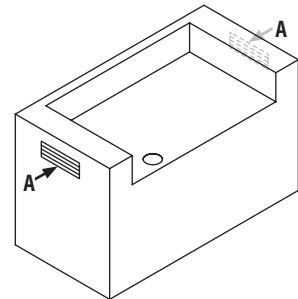


- Use a clean paintbrush to brush a 10% mild soap and water solution onto all the hose connections that you have completed.
- Bubbles will appear in the soapy water if any leaks are present.
- If you have any leaks, turn off your natural gas supply immediately and fix any leaks before use.

Note: If you are unable to fix the leaks, call a qualified professional who is licensed and insured.

NATURAL GAS ENCLOSURE CONSTRUCTION

A: 4x6 in (10x15 cm) vents at top, and both sides of cabinet.



IGNITION INSTRUCTIONS

1. CHECK VALVES

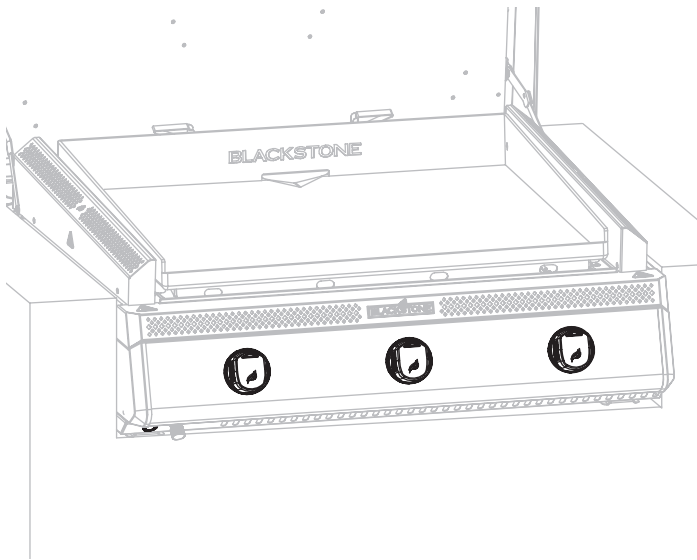
STEP 01 Turn knob to OFF position.

STEP 02 Push in knob and release. Knob should spring back. If knobs **DO NOT** spring back, replace valve assembly before using appliance.

STEP 03 Rotate knob to LOW then turn back to OFF. Knob should turn smoothly.

⚠ WARNING

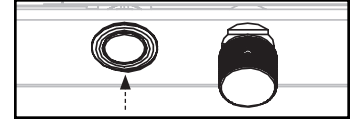
If burner does not ignite with open gas supply valve, gas will continue to flow out of burner and could accidentally/inadvertently ignite with risk of injury. Ensure gas is off at the supply shut off valve before checking appliance valves.



2. ELECTRIC IGNITION

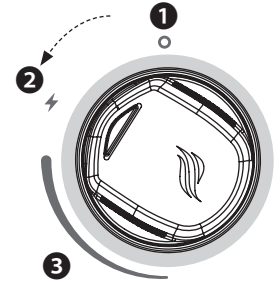
⚠ DO NOT lean over the appliance while lighting. Make sure the appliance is plugged in.

STEP 01 Press the ON button. (Optional: Turn the dimmer until it clicks to turn off the puddle lights.)



STEP 02

- 1 Push the control knob in to start gas flowing. (**WHITE**)
- 2 Turn the control knob counter-clockwise to activate the starter. (**FLASHING BLUE**)
- 3 Check flame and adjust the temperature to desired level. (**ORANGE**)



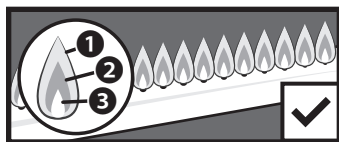
Note: If the magnet in the knob is disconnected, the indicator light will be orange. If the knob arrow is facing UP, gas is not flowing.

3. ALWAYS CHECK BURNER FLAME BEFORE USE.

STEP 01 Light burners and rotate knobs from HIGH to LOW.

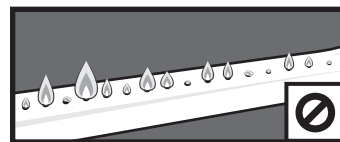
STEP 02 Look below the cooking surface to view burners. When knob is at HIGH, flames should be larger than when knob is at LOW.

HEALTHY FLAME PATTERN



- 1 Flickers of yellow color.
- 2 Dark blue color.
- 3 Vibrant blue.

YELLOW OR IRREGULAR



If there is a sudden drop or low flame issue, please reference the Troubleshooting chapter.

IF IGNITION DOES NOT OCCUR IN 5 SECONDS:

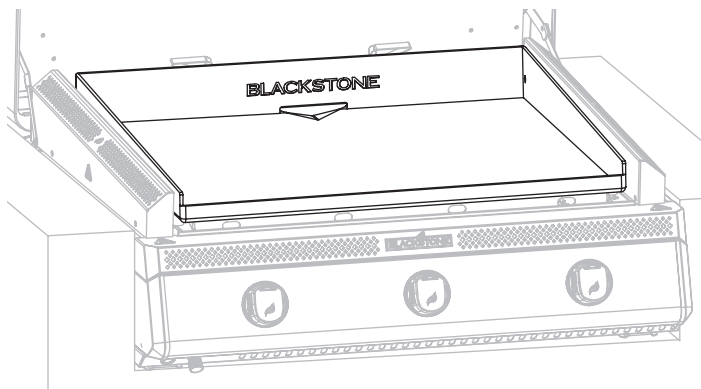
STEP 01 Turn the burner control knob OFF.

STEP 02 Wait 5 minutes.

STEP 03 Repeat the lighting procedure.

If burner does not ignite, please reference the Troubleshooting chapter.

GRIDDLE SEASONING INSTRUCTIONS



WASHING YOUR GRIDDLE TOP BEFORE FIRST USE

NOTICE

Soap will ruin a seasoned griddle. This is the only time you should use soap on the griddle cooking surface.

STEP 01 Wash the griddle cooking surface with hot, soapy water.

STEP 02 Rinse and dry completely.

SEASONING YOUR GRIDDLE



VIDEO TUTORIAL

How to Season a New Blackstone Griddle
[youtube.com/watch?v=VspmDVnj2pl&t=3s](https://www.youtube.com/watch?v=VspmDVnj2pl&t=3s)

STEP 01 Wipe any debris off griddle top.



STEP 02 Set your griddle to high heat until your griddle top changes color. (~10 min)



STEP 03 Use tongs to hold a paper towel or cotton cloth and spread 2-3 tablespoons of your seasoning oil across the entire griddle top.

When seasoning your griddle top, remember to use a thin and even layer of oil—the thinner the layer of oil, the easier it will be to burn it off.



STEP 04 The griddle top is ready for another layer of oil when it stops smoking. Repeat **STEP 03** 3-4 times, or until the griddle surface is black.



NOTICE

DO NOT store any items within 3 in (8 cm) of the griddle top while in use.

WHAT OIL IS BEST TO USE?

- Blackstone Seasoning and Cast Iron Conditioner.
- Any plant-based cooking oil.
- Rendered animal fat with no additives.



CAUTION

Properly dispose of the rags/towels used to spread oil on your griddle top to prevent fires that might occur due to spontaneous combustion.

Under the right conditions, residual oil on rags or towels can oxidize long after being removed from a heat source. The oxidation process itself produces heat which, if not dissipated, can build up and may cause the rags/towels and surrounding material to ignite.

SEASONING TROUBLESHOOTING

THERE IS A BROWNISH RESIDUE ON THE GRIDDLE SURFACE:

POSSIBLE CAUSES

- Too much oil was used.
- You turned off the heat too soon.

SOLUTION

STEP 01 Turn your griddle on high and let it heat for 10-15 minutes.

STEP 02 Scrape off as much of the thickened and partially cooked oil as you can.

STEP 03 Re-season with a very thin layer of oil.

THE EDGES OF THE GRIDDLE SURFACE ARE NOT BLACK:

After using your griddle for multiple cooks, the seasoning will even out and improve.

PREVENTING RUST

Use your griddle frequently. Every time you cook, you are adding to the seasoning, which makes rust less likely.

NOTICE

If you live in a humid or coastal climate, your griddle may require more frequent seasonings between uses.

If rust appears on the griddle surface, rub it off with steel wool, low grit sandpaper or the **Blackstone Pumice Stone** and re-season the surface.



VIDEO TUTORIAL

Recovering your Blackstone Griddle Top
[youtube.com/watch?v=thPE2lgnSil](https://www.youtube.com/watch?v=thPE2lgnSil)



COOKING ON YOUR BLACKSTONE

⚠ CAUTION

This appliance will be hot during and after use. Use long-handled utensils and oven mitts/ protective gloves when handling potentially hot parts, including handles close to the appliance body, to protect against burns and splatters.

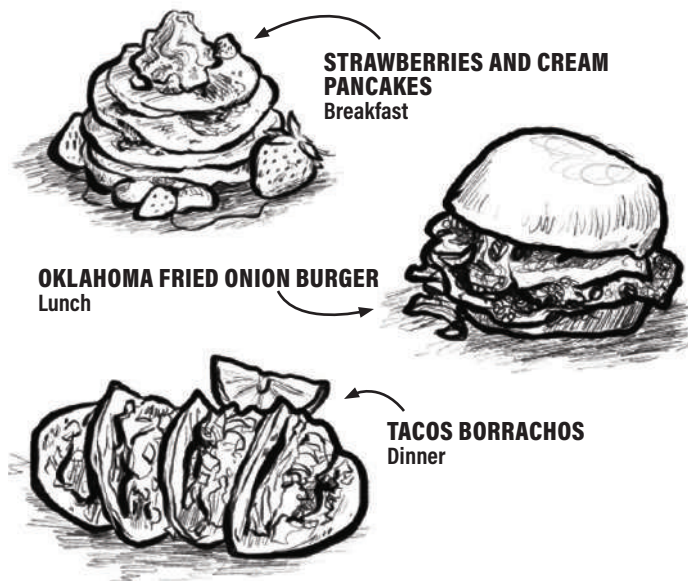
VIDEO RECIPES

Find recipes and cooking tips at:

🌐 BlackstoneProducts.com/recipes

📺 youtube.com/BlackstoneGriddles

📱 [@blackstoneproducts](https://www.instagram.com/blackstoneproducts)



CLEANING YOUR GRIDDLE TOP

Clean griddle top after each use, while still warm.

- DO NOT use soap on the griddle top. This will destroy the griddle's seasoning.



VIDEO TUTORIAL

How to Clean your Blackstone Griddle

📺 youtube.com/watch?v=-ledu9z6NPY

STEP 01 Push loose food debris into the grease cup with spatula or straight metal scraper.



STEP 02 Wipe down griddle top with paper towel.



STEP 03 Apply a few tablespoons of water to the griddle surface, then scrape the water and debris into the grease cup.

(For stuck-on food residue, use a bit of coarse salt.)



STEP 04 Wipe again with a paper towel and dry completely.



STEP 05 Apply thin coat of cooking oil to maintain seasoning and protect the griddle top.



EMPTY YOUR GREASE CUP

The grease cup must be removed and emptied after each use.

⚠ CAUTION

Grease cup will be hot during and after use. DO NOT remove the grease cup until the griddle has completely cooled.

CARE AND MAINTENANCE

⚠ WARNING

Grease build up can cause a fire. Clean any part of the appliance that gets hot and experiences grease build up after each use.

⚠ CAUTION

All cleaning and maintenance should be carried out when the appliance is cool and everything is turned OFF.

- DO NOT use abrasive pad on areas with graphics.
- If a bristle brush is used to clean any of the cooking surfaces, ensure no loose bristles remain on cooking surfaces prior to cooking.

APPLIANCE BODY:

Wash with warm soapy water and immediately wipe dry with a non-abrasive cloth. (DO NOT allow cleaning agents to rest on any porous surface for a prolonged amount of time.)

NOTICE

DO NOT use Citrisol, abrasive cleaners, or a concentrated cleaner on the appliance. This may result in damage to and failure of parts.

APPLIANCE STORAGE

⚠ WARNING

DO NOT move the appliance when in use. Allow the appliance to cool to 115°F (45°C) before moving or storing.

Storage of an appliance indoors is only permissible if the gas supply is disconnected and removed from the appliance.

COVER FIT GUIDE

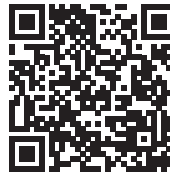
Always cover your appliance when stored outdoors.



To find a cover that will fit your appliance, visit BlackstoneProducts.com/support.

CLEANING THE BURNER ASSEMBLY

To reduce chance of “flash-back” the procedure below should be followed at least once a month when spiders are most active or when your appliance has not been used for a period of time.



VIDEO TUTORIAL

How to Clean Your Burner Tube
[youtube.com/watch?v=xKQTCrFCzf8](https://www.youtube.com/watch?v=xKQTCrFCzf8)

STEP 01 Ensure that the gas is turned OFF at control knobs and gas supply. Remove the griddle top.

STEP 02 Carefully detach and remove the burner.



STEP 03 Clean the inside of the burner:

- Run a bottle brush (not a wire brush) or a stiff wire bent into a small hook through each burner tube several times.
- Use compressed air to blow through the burner tube and out the burner ports (Wear eye protection).



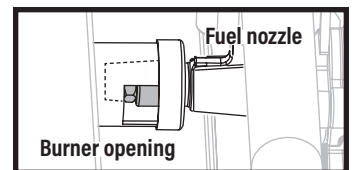
STEP 04 Brush entire outer surface of burner to remove grime.



STEP 05 Clean any blocked ports with stiff wire such as an open paper clip.



STEP 06 Carefully replace burners and reattach, with attention to the location of the ignition needle.



⚠ The gas rail fuel nozzle must be reengaged within the burner opening.



TROUBLESHOOTING

IGNITION TROUBLESHOOTING

BURNER WILL NOT IGNITE:

If ignition does not occur in 5 seconds:

STEP 01 Turn the burner control knob OFF.

STEP 02 Wait 5 minutes.

STEP 03 Repeat the lighting procedure.

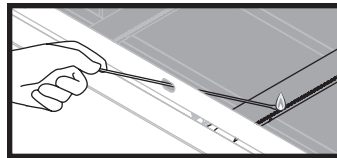
If this does not work, to determine the cause, please try to ignite your appliance with a match.

MATCH LIGHTING INSTRUCTIONS

Before beginning, check for gas leaks. Open hood (if applicable).

STEP 01 Turn control knob to OFF position.

STEP 02 Light a match (or long lighter) no shorter than 11 inches long.

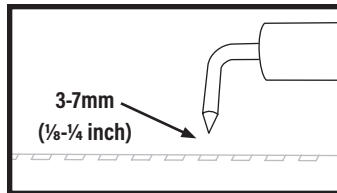


STEP 03 Place the flame next to the burner.

STEP 04 Push in and turn the control knob to start gas flowing. Ensure burner lights and stays lit.

IF YOU CAN IGNITE YOUR APPLIANCE WITH A MATCH:

POSSIBLE CAUSES	SOLUTION
Ignitor wire misaligned.	Ensure that the ignitor needle is positioned 3-7mm (1/8-1/4 inch) away from the burner, and aligned with the burner holes.
Damage to the ignition system.	Contact customer support for replacement parts.



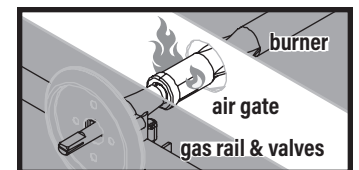
GAS FLOW TROUBLESHOOTING

APPLIANCE WILL NOT ACHIEVE A HIGH HEAT OR HEATS UNEVENLY:

- Burner flames are yellow or irregular.
- Burner flames start strong, then immediately drop to low even when burner is set to high position.
- Flame height drops when a second burner is lit.
- Flames DO NOT extend the full length of the burner, or only run on one side of the burner.
- Burner flames are inconsistent.

POSSIBLE CAUSES	SOLUTION
Obstructions in the burner, gas jets, or fuel rail.	Clean the burner, jets, and gas hose.

- A flame is coming out of the air gate:



POSSIBLE CAUSES	SOLUTION
Something is blocking the venturi in the burner.	Clean the burner assembly to remove the obstruction.

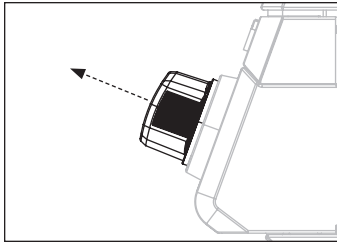
IF YOU CAN NOT IGNITE YOUR APPLIANCE WITH A MATCH:

POSSIBLE CAUSES	SOLUTION
Burner tubes are not receiving fuel.	Clean the burner assembly to remove the obstruction.

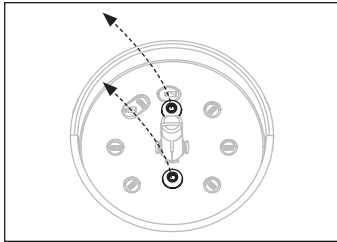
REPLACING THE CONTROL KNOB'S PRINTED CIRCUIT BOARD

If the control knob does not work, the PCB may need to be replaced.

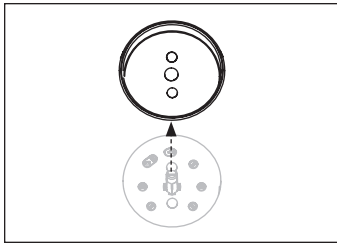
STEP 01 Pull out the non-functional control knob and set aside.



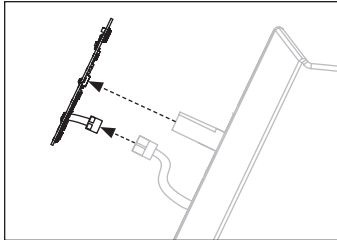
STEP 02 Use a Philips head screwdriver to remove the two (2) M4x10 screws from the knob bezel and set aside.



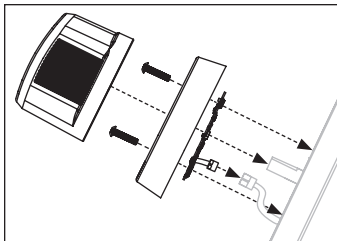
STEP 03 Remove the knob bezel and set aside.



STEP 04 Lift out the knob PCB, and disconnect the wire from the back of the knob PCB.



STEP 05 Plug the connector into the new knob PCB. Reverse the above assembly steps to reinstall the control knob.



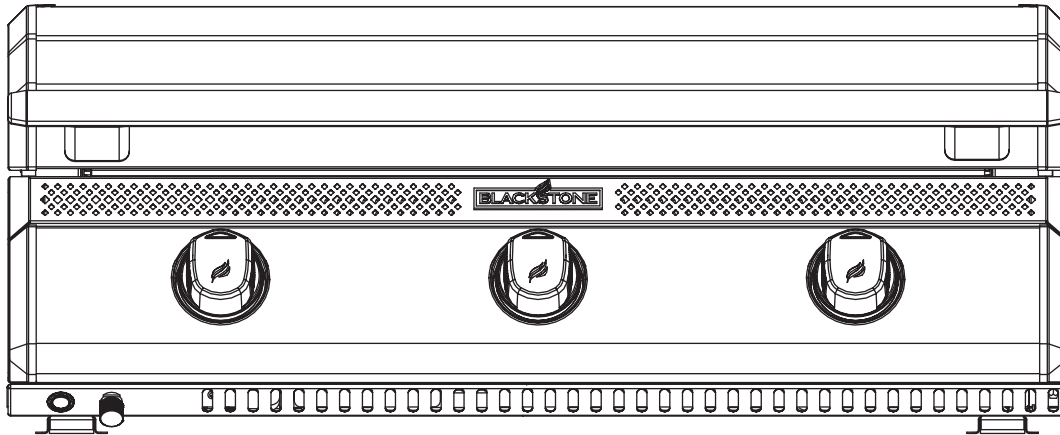
This page intentionally left blank

This page intentionally left blank

This page intentionally left blank



This product may be covered by one or more issued U.S. and/or international patents and may include patent applications pending. For more information, please visit: BlackstoneProducts.com/patents



MANUEL DU PROPRIÉTAIRE

PLAQUE CHAUFFANTE À 3 BRÛLEURS PRÊT AU GAZ NATUREL ENCASTRABLE AVEC HOTTE

TABLE DES MATIÈRES

INFORMATIONS DE SÉCURITÉ IMPORTANTES	02
SERVICE CLIENT	03
GUIDE D'ASSEMBLAGE	04
UTILISATION DE VOTRE BLACKSTONE	08
DÉPANNAGE	15



Pour obtenir la dernière version de ce manuel, scannez ce code ou visitez BlackstoneProducts.com/support

IMPORTANT:

Ce manuel d'instructions contient des informations importantes nécessaires au montage correct et à l'utilisation en toute sécurité de l'appareil.

Lisez et suivez tous les avertissements et instructions avant d'assembler et d'utiliser l'appareil.

Suivez tous les avertissements et instructions lors de l'utilisation de l'appareil.

Conservez ce manuel pour référence ultérieure.

Installateur/Assembleur : Laisser ces instructions au consommateur.

CLÉ D'ALERTE DE SÉCURITÉ

⚠ DANGER

Indique une situation dangereuse qui, si elle n'est pas évitée, entraînera la mort ou des blessures graves.

⚠ ATTENTION

Indique une situation dangereuse qui, si elle n'est pas évitée, pourrait entraîner des blessures mineures ou modérées.

⚠ AVERTISSEMENT

Indique une situation dangereuse qui, si elle n'est pas évitée, peut entraîner la mort ou des blessures graves.

AVIS

Indique des informations considérées comme importantes, mais non liées à un danger (par exemple, des messages liés à des dommages matériels).

INFORMATIONS DE SÉCURITÉ IMPORTANTES

⚠ DANGER

Si vous sentez une odeur de gaz:

- Fermez le gaz vers l'appareil.
- Éteignez toute flamme nue.
- Ouvrez le capot (le cas échéant).
- Si l'odeur persiste, éloignez-vous de l'appareil et appelez immédiatement votre fournisseur de gaz ou votre service d'incendie.

Le non-respect de ces instructions peut entraîner un incendie ou des dommages matériels, des blessures ou la mort.

⚠ DANGER

- **NE FAITES jamais fonctionner cet appareil sans surveillance.**
- En cas d'incendie, éloignez-vous de l'appareil et appelez immédiatement les pompiers. **N'ESSAYEZ PAS d'éteindre un feu d'huile ou de graisse avec de l'eau.**

Le non-respect de ces instructions peut entraîner un incendie ou des dommages matériels, des blessures ou la mort.

⚠ AVERTISSEMENT

- **Ne stockez pas et N'UTILISEZ PAS d'essence ou d'autres liquides ou vapeurs inflammables à proximité de cet appareil ou de tout autre appareil.**
- **Une bouteille de GPL non connectée pour utilisation ne doit pas être stockée à proximité de cet appareil ou de tout autre appareil.**

SÉCURITÉ DES APPAREILS À GAZ

- L'utilisation d'alcool, de médicaments sur ordonnance ou en vente libre peut nuire à la capacité du consommateur à assembler correctement ou à utiliser l'appareil en toute sécurité.
- Gardez les enfants et les animaux domestiques éloignés de l'appareil à tout moment.
- Ayez à portée de main un extincteur de type BC ou ABC.

NE PAS UTILISER À DES FINS AUTRES QUE CELLES PRÉVUES.

- Pour usage domestique extérieur uniquement, pas pour un usage commercial.
- N'UTILISEZ PAS cet appareil comme appareil de chauffage.

⚠ AVERTISSEMENT

Une installation, une utilisation, un réglage, une altération, un entretien, une modification ou un entretien inappropriés peuvent entraîner des blessures ou des dommages matériels. Reportez-vous à ce manuel.

SÉCURITÉ DES APPAREILS ÉLECTRIQUES

POUR SE PROTÉGER CONTRE LES CHOCS ÉLECTRIQUES:

- Ne plongez pas le cordon ou les fiches dans l'eau ou tout autre liquide.
- Débranchez-le de la prise lorsqu'il n'est pas utilisé et avant le nettoyage. Laissez refroidir avant de mettre ou de retirer des pièces.
- N'UTILISEZ PAS cet appareil avec un cordon ou une fiche endommagés ou après un dysfonctionnement de l'appareil ou a été endommagé de quelque manière que ce soit. Contactez le fabricant pour réparation.
- Ne laissez pas le cordon pendre du bord d'une table ou toucher des surfaces chaudes.
- Gardez tout cordon d'alimentation électrique et le tuyau d'alimentation en carburant éloignés des surfaces chauffées.
- Lors du branchement, branchez d'abord la fiche à l'appareil, puis à la prise.

UTILISEZ UNIQUEMENT UN CIRCUIT PROTÉGÉ PAR DISJONCTEUR DE FUITE À LA TERRE (GFI) AVEC CET APPAREIL.

- Cet appareil, lorsqu'il est installé, doit être mis à la terre conformément aux codes locaux ou, en l'absence de codes locaux, à la norme NFPA 70 Code canadien de l'électricité, partie I.
- Ne retirez pas la fiche de mise à la terre et ne l'utilisez pas avec un adaptateur à 2 broches.
- Utilisez uniquement des rallonges avec une fiche de mise à la terre à 3 broches, adaptées à la puissance de l'équipement et approuvées pour une utilisation en extérieur avec un marquage W-A.

L'INSTALLATION DOIT ÊTRE CONFORME AUX CODES LOCAUX.

En l'absence de codes locaux, l'installation doit être conforme à ANSI Z223.1/NFPA 54, CSA B149.1 ou CSA B149.2.



SERVICE CLIENT

CONTACTEZ-NOUS

Visitez-nous en ligne sur BlackstoneProducts.com/support pour obtenir de l'aide concernant l'utilisation de l'appareil, les pièces de rechange ou votre garantie.

HEURES D'OUVERTURE DU SERVICE CLIENT:

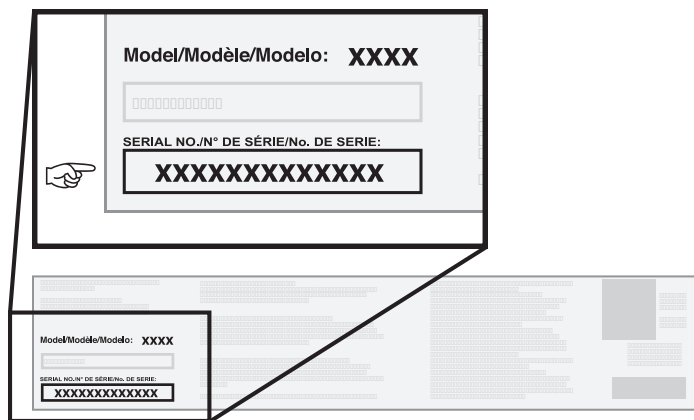


Lundi vendredi
7h00 - 17h00 (heure des montagnes)

EMPLACEMENT DU NUMÉRO DE SÉRIE

Pour activer votre garantie, vous devrez fournir le numéro de série de votre appareil.

Le numéro de série se trouve sur l'étiquette du fabricant de votre appareil. (L'étiquette du fabricant est un grand autocollant argenté apposé sur le corps de votre appareil.)



GARANTIE UN AN

North Atlantic Imports, LLC garantit ce produit contre les défauts de matériaux et de fabrication pendant une période d'un (1) an à compter de la date d'achat originale dans des conditions normales d'utilisation. Dans la mesure où de tels défauts se produisent, North Atlantic Imports, LLC, à sa discrétion, fournira gratuitement la ou les pièces de remplacement appropriées.

En aucun cas North Atlantic Imports, LLC ne sera responsable des dommages consécutifs, indirects ou accessoires résultant de l'installation, de l'utilisation ou de la défaillance du produit.

Cette garantie NE couvre PAS:

- Frais d'inspection ou de main d'œuvre pour le remplacement de toute pièce défectueuse;
- Défauts cosmétiques qui n'affectent pas les performances ou l'intégrité du produit;
- L'usure normale;
- Dommages dus au vandalisme ; les catastrophes naturelles, y compris, mais sans s'y limiter, le vent, les tempêtes, la grêle et les inondations;
- Un assemblage, une installation ou une utilisation inappropriés;
- Décoloration ou décoloration de la finition résultant d'une exposition à des produits chimiques, à des déversements, à l'eau de piscine ou à l'eau salée;
- Corrosion/rouille.

Ce produit a été conçu pour la sécurité et la qualité. Toute modification apportée au produit d'origine pourrait compromettre son intégrité structurelle ou sa fonction et entraîner une défaillance du produit ou des blessures. En tant que tel, la modification de ce produit annule toutes les garanties.

Ce produit est destiné à un USAGE RÉSIDENTIEL UNIQUEMENT et n'est pas destiné à des fins commerciales, contractuelles ou autres fins non résidentielles. North Atlantic Imports, LLC décline toute autre représentation et garantie de quelque nature que ce soit, expresse ou implicite.

La garantie s'applique à l'acheteur d'origine et n'est pas transférable. Elle ne s'applique pas aux accessoires ou pièces non fournis avec le produit, aux achats de modèles d'exposition ou aux produits vendus en liquidation ou « tels quels ». Vous pouvez cependant bénéficier d'autres droits légaux spécifiques basés sur les lois de votre état ou pays de résidence.

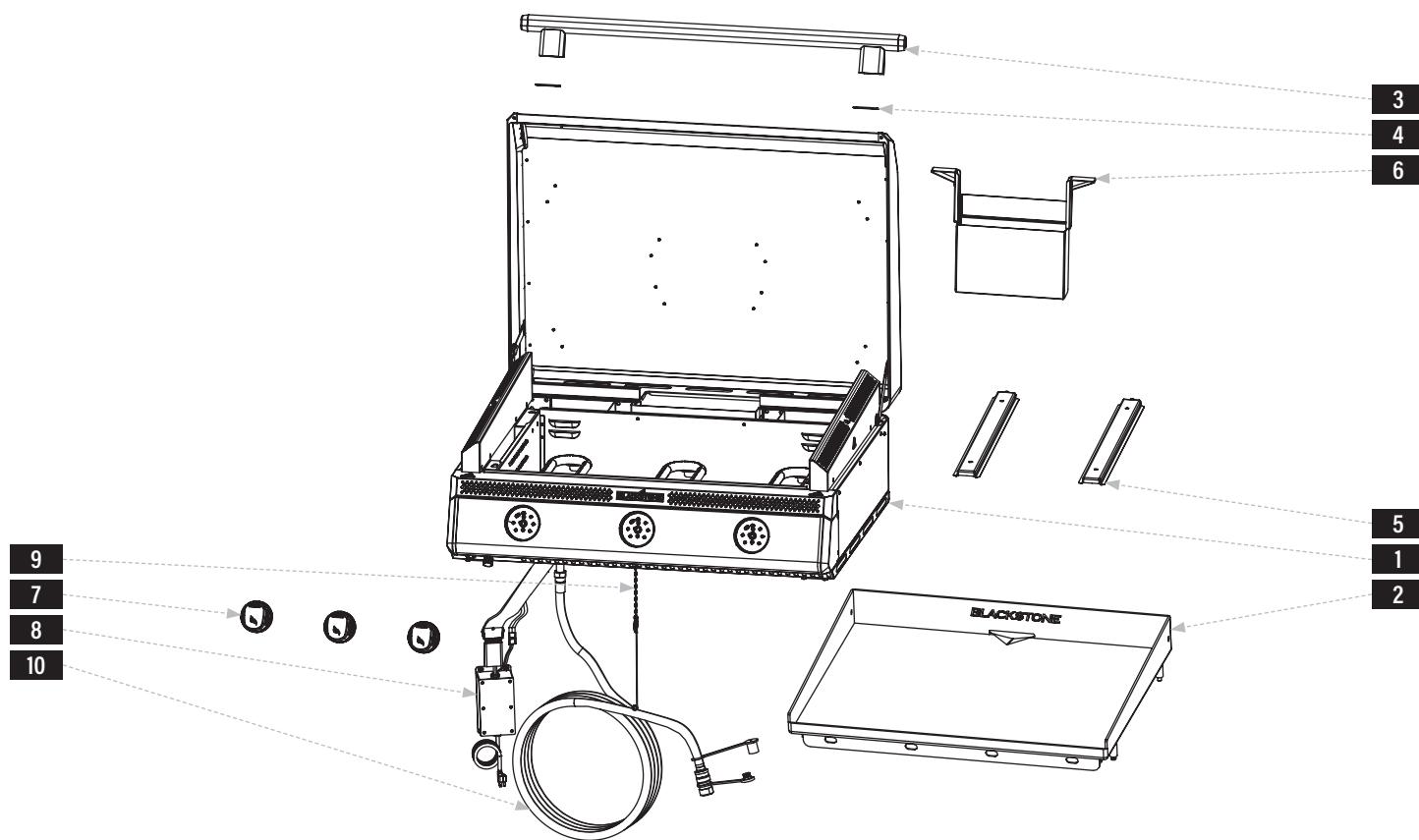
Pour activer votre garantie, enregistrez votre produit sur

BlackstoneProducts.com/register

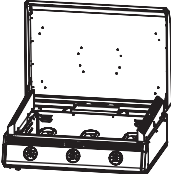
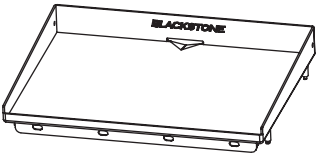
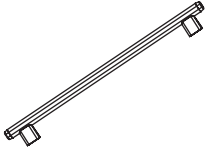
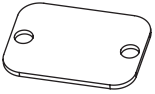
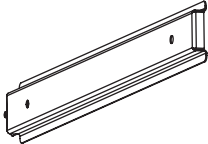
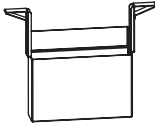

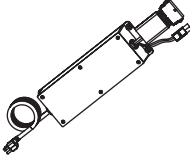


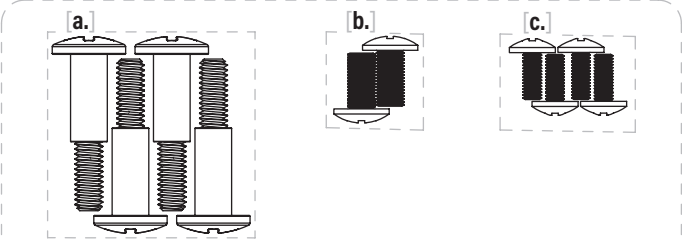
North Atlantic Imports, LLC se réserve le droit de changer ou de modifier cette garantie à tout moment.

GUIDE D'ASSEMBLAGE

VUE ÉCLATÉE



FRANÇAIS

<p>1 Corps de plancha (1 pièce)</p> 	<p>2 Plancha (1 pièce)</p> 	<p>3 Poignée de capot (1 pièce)</p> 	<p>4 Rondelles mica (2 pièces)</p> 		
<p>5 Chaînes de chapeau (2 pièces)</p> 	<p>6 Pot à graisse (1 pièce)</p> 	<p>7 Boutons de commande (3 pièces)</p> 	<p>8 Boîte PCB (1 pièce)</p> 	<p>9 Porte-allumette (1 pièce)</p> 	<p>10 Tuyau et raccord rapide (1 pièce)</p> 
<p>11 Pack matériel (1 pièce)</p> <p>a. Boulons à épaulement M6 (4 pièces)</p> <p>b. Vis M5x10 (2 pièces)</p> <p>c. Vis M4x10 (4 pièces)</p>					



INSTRUCTIONS DE MONTAGE

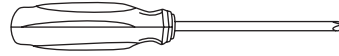
Trouvez une grande surface propre pour assembler votre appareil.
Retirez tous les matériaux d'emballage avant l'assemblage.

⚠ ATTENTION

Bouts pointus. Portez des gants lors de l'assemblage.

⚠ ATTENTION

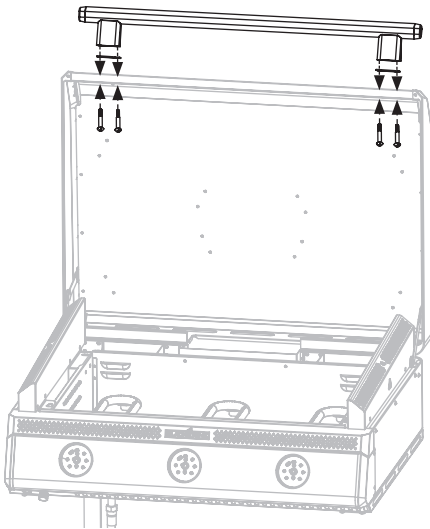
Morceaux lourds. Deux personnes doivent assembler cet appareil.



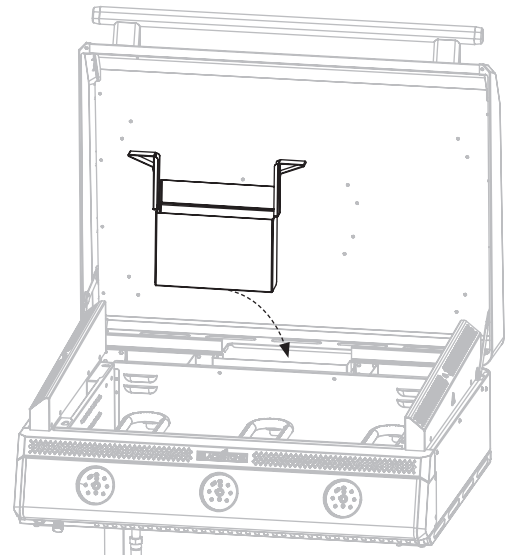
OUTIL NÉCESSAIRE:

Tournevis cruciforme n° 3

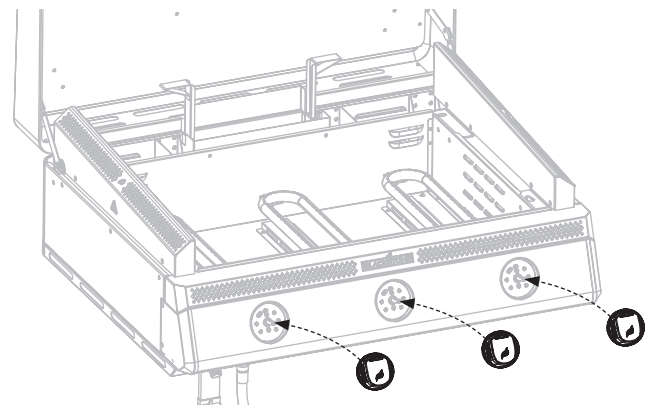
ÉTAPE 01 Utilisez quatre (4) boulons à épaulement M6 [a.] pour fixer la poignée et l'entretoise de la poignée du capot et deux (2) rondelles en mica à l'avant du capot.



ÉTAPE 02 Faites glisser le bac à graisse dans le support à l'arrière du corps de la plaque chauffante.

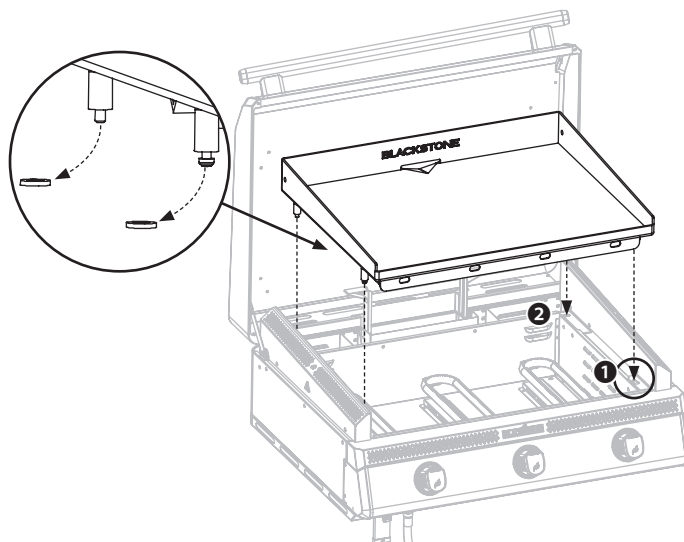
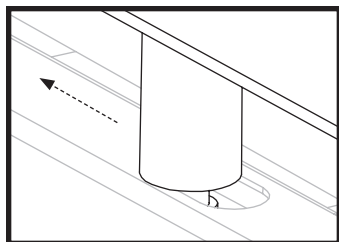


ÉTAPE 03 Installez les trois (3) boutons de commande en les poussant en place en position OFF.

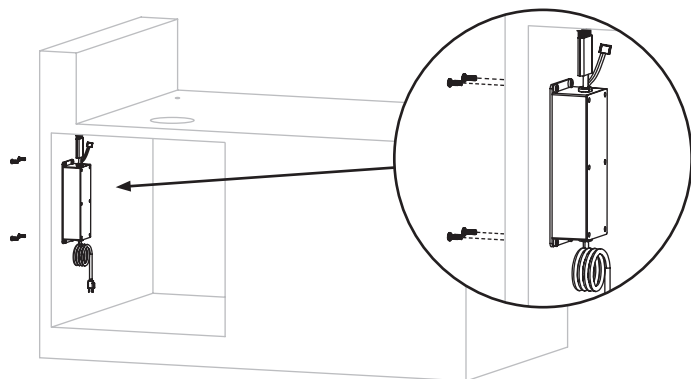


ÉTAPE 04 Retirez les quatre (4) rondelles de protection des broches du pied de la plaque chauffante. **Avec l'aide d'une autre personne**, placez le dessus de la plaque chauffante sur le corps de la plaque chauffante en alignant les quatre goupilles de pied sur les trous situés sur le dessus de l'appareil.

- 1 Placez les deux goupilles avant dans les trous de verrouillage avant et repoussez le dessus de la plaque chauffante.
- 2 Ensuite, placez les deux broches arrière dans les trous arrière.

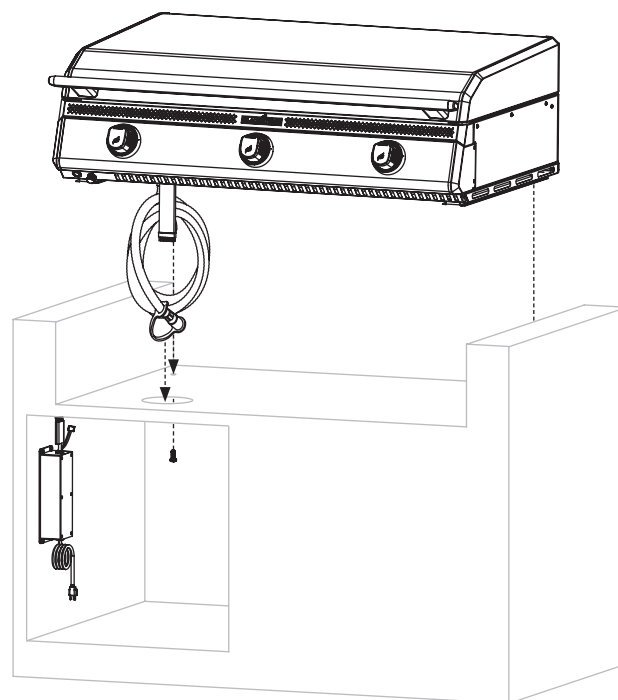


ÉTAPE 05 Utilisez quatre (4) vis M4x10 [c.] pour fixer le boîtier PCB au panneau latéral gauche de votre armoire.



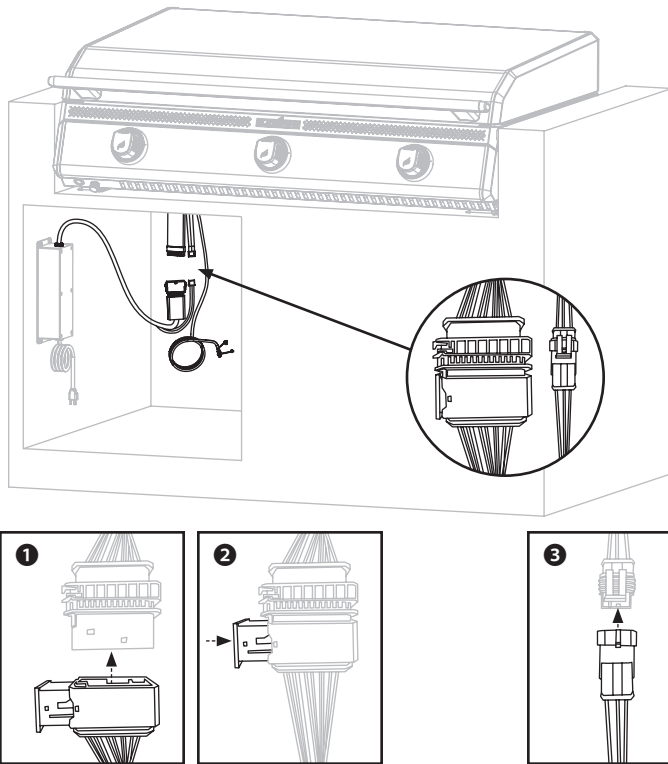
ÉTAPE 06 Avec l'aide d'une autre personne, dirigez le tuyau et les fils électriques à travers le trou de l'armoire et placez le corps de la plaque chauffante sur le dessus de votre armoire.

Utilisez deux (2) vis M5x10 [b.] pour fixer le corps de la plaque chauffante à votre armoire.

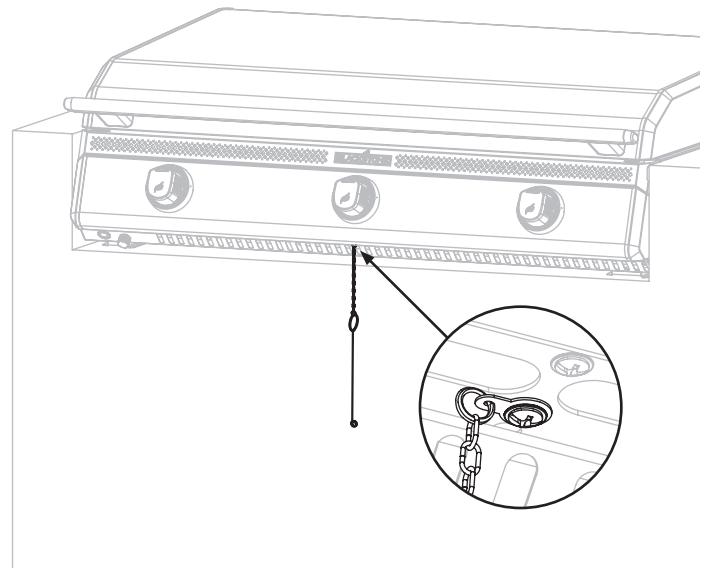




- ÉTAPE 07**
- ➊ Poussez le connecteur 18P mâle et femelle ensemble.
 - ➋ Appuyez sur le clip jaune pour verrouiller le connecteur.
 - ➌ Poussez le connecteur 3P mâle et femelle ensemble.

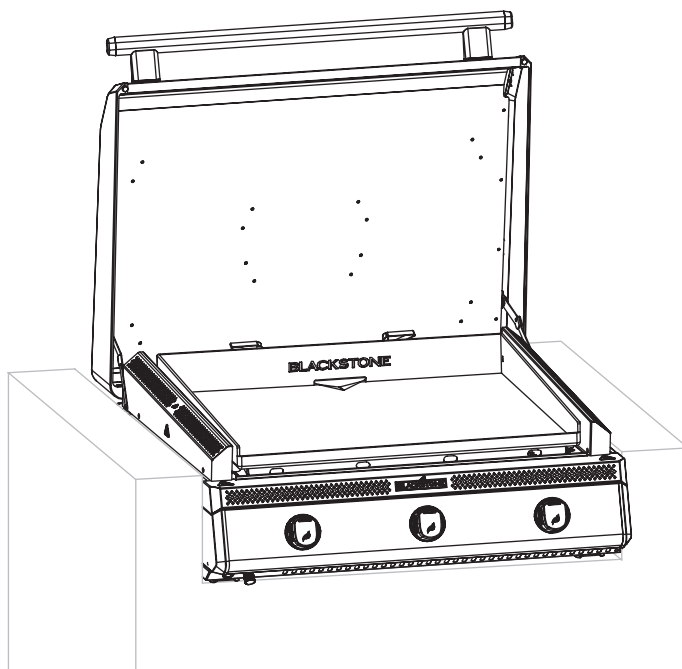


- ÉTAPE 08** Retirez la vis autotaraudeuse du corps de la plaque chauffante et utilisez-la pour fixer le porte-allumette.



FRANÇAIS

- ÉTAPE 09** Passez à **UTILISATION DE VOTRE BLACKSTONE.**



⚠ ATTENTION

Appareil chaud. Le couvercle/le couvercle/le capot (le cas échéant) DOIT être ouvert/retiré lorsque l'appareil est en cours d'utilisation.

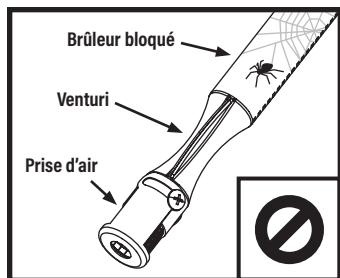
UTILISATION DE VOTRE BLACKSTONE

AVANT LA CUISSON

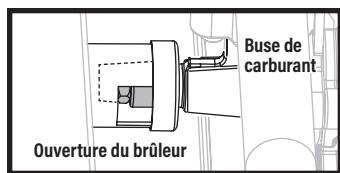
VÉRIFIER LES BRÛLEURS

Avant le raccordement et l'utilisation, assurez-vous qu'il n'y a pas de débris coincés ou endommagés dans la tête de la bouteille de gaz, le régulateur, le tuyau, le brûleur et les orifices du brûleur.

Les araignées et les insectes peuvent nicher à l'intérieur et obstruer le brûleur/ tube venturi au niveau de l'orifice.



⚠ AVERTISSEMENT
Un brûleur obstrué peut provoquer un incendie sous l'appareil.
Le brûleur doit être retiré et nettoyé chaque fois que des blocages sont détectés.



⚠ Assurez-vous que l'orifice de la buse de carburant de la rampe de gaz est correctement engagé dans l'ouverture du brûleur.

LA TEMPÉRATURE AMBIANTE MINIMALE DE FONCTIONNEMENT EST DE 0 °F (-18 °C).

⚠ DANGER
Les objets inflammables peuvent brûler s'ils sont placés à proximité de l'appareil.
Gardez la zone de l'appareil dégagée et exempte de matériaux combustibles, de bombes aérosols, d'essence et d'autres vapeurs et liquides inflammables.

⚠ ATTENTION
Si l'appareil est équipé d'un porte-essuie-tout, le bras doit être en position ouverte pendant l'utilisation de l'appareil.

SI DE LA GRAISSE OU UN AUTRE MATÉRIAU CHAUD S'ÉGOUTTE SUR LA VANNE, LE TUYAU OU LE RÉGULATEUR:

ÉTAPE 01 Coupez immédiatement l'alimentation en gaz.

ÉTAPE 02 Déterminez la cause et corrigez-la.

ÉTAPE 03 Nettoyez et inspectez la vanne, le tuyau et le régulateur.

ÉTAPE 04 Effectuez un test de fuite. (Veuillez vous référer aux instructions de test de fuite)

AMÉNAGEMENT DE VOTRE ESPACE EXTÉRIEUR CET APPAREIL NE DOIT ÊTRE UTILISÉ QU'À L'EXTÉRIEUR.

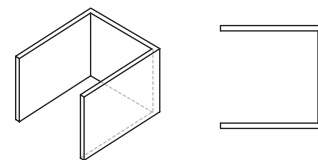
- N'UTILISEZ PAS cet appareil à l'intérieur de bâtiments, de garages ou de tout autre espace clos.
- N'INSTALLEZ PAS cet appareil dans ou sur un bateau.
- N'INSTALLEZ PAS cet appareil dans ou sur un véhicule récréatif.

ESPACES EXTÉRIEURS ABRITÉS:

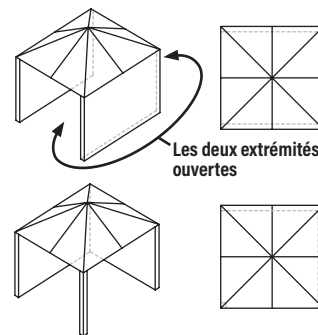
Toutes les ouvertures doivent être ouvertes en permanence ; les portes coulissantes, les portes de garage, les fenêtres ou les ouvertures grillagées ne sont pas considérées comme des ouvertures permanentes.

Un appareil est considéré comme étant à l'extérieur s'il est installé avec un abri ne dépassant pas:

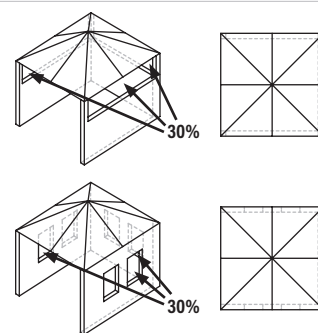
a. Avec des murs sur trois côtés, mais sans couverture aérienne.



b. À l'intérieur d'une enceinte partielle qui comprend un toit supérieur et pas plus de deux parois latérales. Les parois latérales peuvent être parallèles, comme dans un passage couvert, ou à angle droit l'une par rapport à l'autre.

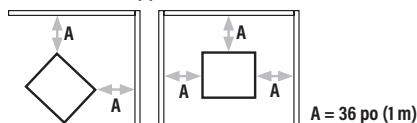


c. À l'intérieur d'une enceinte partielle qui comprend un couvercle supérieur et trois parois latérales, tant que 30% ou plus de la périphérie horizontale de l'enceinte est ouverte en permanence.



MAINTENIR DES DÉGAGEMENTS APPROPRIÉS PAR RAPPORT AUX MATÉRIEAUX COMBUSTIBLES :

- N'UTILISEZ PAS cet appareil sur ou sous un balcon ou une terrasse d'appartement ou de copropriété.
- NE PAS obstruer le flux d'air de combustion et de ventilation.
- NE FAITES pas fonctionner cet appareil à moins de 36 po (1 m) des côtés et de l'arrière de l'appareil à une construction combustible.

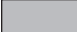




INSTALLATION INTÉGRÉE

- Si votre armoire/structure comporte des composants combustibles externes ou internes (bois, plastique, etc.), votre plaque chauffante DOIT utiliser une gaine isolante.
- S'il est installé sous une construction combustible aérienne, l'appareil DOIT être installé conjointement avec une hotte de ventilation robuste approuvée UI710 ou UIC S646 uniquement.

EXIGENCES RELATIVES À LA GAINÉ ISOLANTE

 **AUCUN** combustible dans cette zone

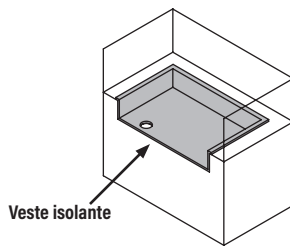
 Combustibles **OK** dans cette zone

AVEC VESTE

L'armoire/structure peut être réalisée avec des combustibles (Bois, plastique (PVC, HDPE), peinture à l'huile, laque, etc.)

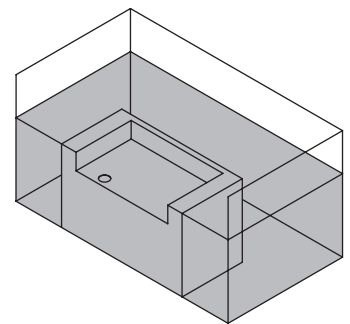
AVIS

La gaine isolante doit être fixée de manière permanente à l'armoire.

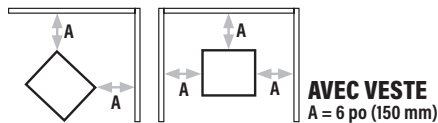


PAS DE VESTE

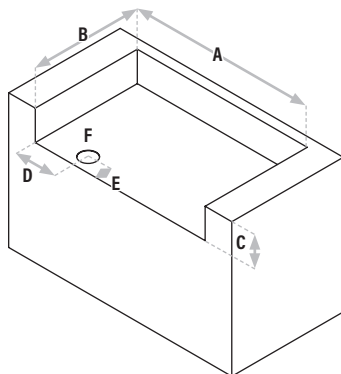
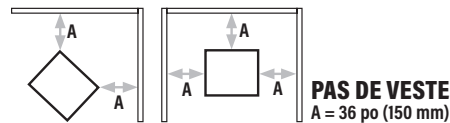
L'armoire/structure DOIT être fabriquée UNIQUEMENT avec des matériaux NON combustibles (brique, pierre, ciment, métal, verre, etc.)



N'UTILISEZ PAS cet appareil à moins de 6 po (150 mm) des côtés et de l'arrière de l'appareil d'une construction combustible verticale. (murs/dossieret)



N'UTILISEZ PAS cet appareil à moins de 36 po (1 m) des côtés et de l'arrière de l'appareil par rapport à une construction combustible.

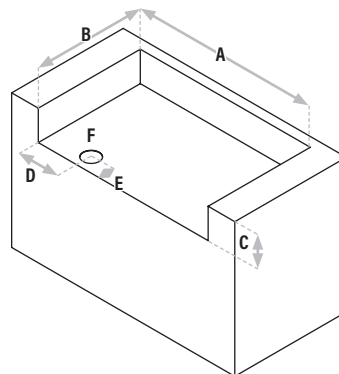


DIMENSIONS MINIMALES DE LA CAVITÉ

- A:** Largeur = 35.4 in (89.92 cm)
- B:** Profondeur = 26.09 in (66.27 cm)
- C:** Hauteur = 9.16 in (23.27 cm)
(> interférera avec la capuche)

DIMENSIONS MINIMALES DU TROU

- D:** Du côté = 9.39 in (23.86 cm)
- E:** De face = 5.05 in (12.83 cm)
- F:** Diamètre = 4.33 in (10.93 cm)



DIMENSIONS MINIMALES DE LA CAVITÉ

- A:** Largeur = 33.32 in (84.64 cm)
- B:** Profondeur = 25.02 in (63.56 cm)
- C:** Hauteur = 7.59 in (19.28 cm)
(> interférera avec la capuche)

DIMENSIONS MINIMALES DU TROU

- D:** Du côté = 8.35 in (21.21 cm)
- E:** De face = 5.05 in (12.83 cm)
- F:** Diamètre = 4.33 in (10.93 cm)

FRANÇAIS

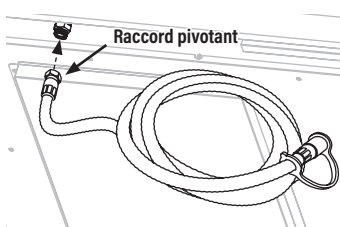
BESOINS EN GAZ NATUREL

- Le système de tuyauterie de carburant fixe doit utiliser un tuyau rigide, un tube semi-rigide et/ou un connecteur conforme à la norme sur les connecteurs pour les appareils à gaz extérieurs et les maisons préfabriquées, ANSI Z21.75 • CSA 6.27.
- Cet appareil a été conçu et construit pour utiliser uniquement du gaz naturel. N'ESSAYEZ PAS de faire fonctionner cet appareil en utilisant des gaz autres que le gaz naturel à la pression indiquée.
- Le tuyau est fourni avec un tuyau qui doit être utilisé pour son bon fonctionnement. Ne remplacez pas le tuyau. Si le tuyau est usé ou endommagé, contactez le service client pour un remplacement.

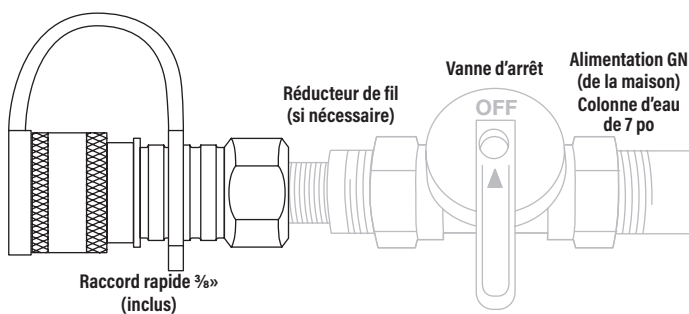
RACCORDEMENT À L'ALIMENTATION EN GAZ NATUREL

ÉTAPE 01 Utilisez une clé à molette pour fixer le raccord pivotant du tuyau de gaz naturel à l'appareil.

- N'acheminez pas le tuyau d'alimentation en gaz directement sous l'appareil. Ne faites pas passer le tuyau sous ou à travers des structures permanentes.
- Le tuyau doit être vérifié pour détecter les fissures, les coupures et l'usure à chaque fois que vous cuisinez.



ÉTAPE 02 Si votre conduite d'alimentation en gaz naturel n'est pas déjà configurée avec le raccord rapide de taille correcte/déconnexion, le bon est inclus. Remarque: Utilisez un produit d'étanchéité pour filetage si vous fixez le raccord de connexion/déconnexion rapide fourni. Le produit d'étanchéité pour filetage doit être évalué à 400°F (204°C) et être compatible avec le gaz naturel. (Permatex #59214 ou Loctite 592) Remarque: Pour que le raccord approprié soit ajouté à votre source de gaz naturel, faites-le faire par un professionnel agréé et assuré.



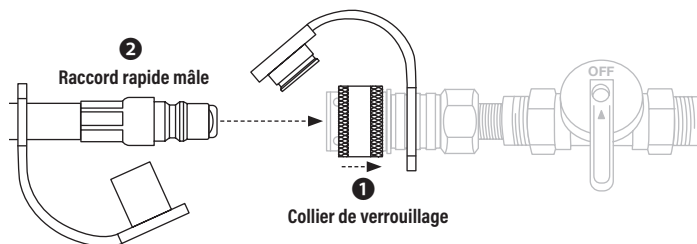
DÉCONNEXION DE L'ALIMENTATION EN GAZ NATUREL

ÉTAPE 01 Pour débrancher votre appareil pour le nettoyer ou le ranger, assurez-vous que tous les boutons de commande sont en position ARRÊT et que l'alimentation en gaz naturel au niveau de la vanne de connexion rapide est ARRÊTÉ.

ÉTAPE 02 1 Tirez le collier de verrouillage vers l'arrière et retirez le tuyau de gaz naturel et relâchez le collier de verrouillage. 2 Séparez le tuyau et le raccord.

ÉTAPE 03 Réinstallez les couvercles anti-poussière sur la conduite d'alimentation ainsi que le tuyau de gaz naturel sur l'appareil.

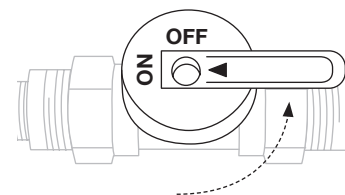
ÉTAPE 03 Connectez votre appareil à l'alimentation en gaz naturel de la source en retirant les cache-poussière et en vous assurant que les deux raccords sont exempts de tout débris. 1 Tirez le collier de verrouillage vers l'arrière sur le raccord et 2 poussez le raccord rapide mâle à fond à l'intérieur, puis relâchez le collier de verrouillage.



Tirez le tuyau et le raccord dans des directions opposées pour vérifier qu'ils sont connectés.

ÉTAPE 04 Ouvrez l'alimentation en gaz naturel.

Avant d'allumer votre appareil, effectuez un test d'étanchéité.

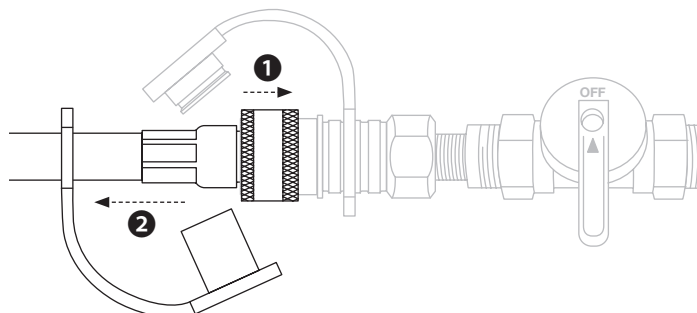
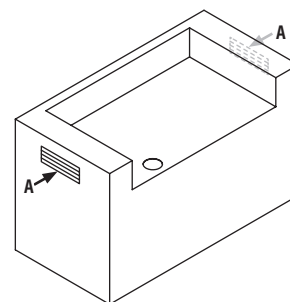


- Utilisez un pinceau propre pour appliquer une solution d'eau et de savon doux 1% sur tous les raccords de tuyaux que vous avez terminés.
- Des bulles apparaîtront dans l'eau savonneuse si des fuites sont présentes.
- Si vous avez des fuites, coupez immédiatement votre alimentation en gaz naturel et réparez toute fuite avant utilisation.

Remarque: Si vous ne parvenez pas à réparer les fuites, appelez un professionnel qualifié, agréé et assuré.

CONSTRUCTION D'ENCEINTES À GAZ NATUREL

A: Aérations de 4 x 6 po (10 x 15 cm) en haut et sur les deux côtés de l'armoire.





INSTRUCTIONS D'ALLUMAGE

1. CLAPETS ANTI-RETOUR

ÉTAPE 01 Tourner le bouton en position OFF.

ÉTAPE 02 Appuyez sur le bouton et relâchez. Le bouton devrait revenir en arrière.

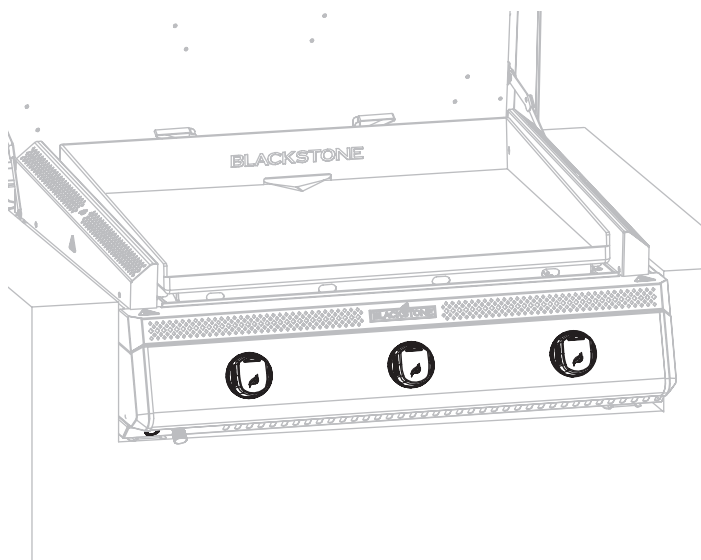
Si les boutons ne reviennent pas, remplacez l'assemblage de la valve avant d'utiliser l'appareil.

ÉTAPE 03 Tournez le bouton sur LOW puis remettez-le sur OFF. Le bouton doit tourner en douceur.

⚠ AVERTISSEMENT

Si le brûleur ne s'allume pas avec la vanne d'alimentation en gaz ouverte, le gaz continuera à s'écouler du brûleur et pourrait s'enflammer accidentellement/par inadvertance avec un risque de blessure.

Assurez-vous que le gaz est coupé au niveau du robinet d'arrêt d'alimentation avant de vérifier les vannes de l'appareil.



2. ALLUMAGE ÉLECTRIQUE

⚠ Ne vous penchez pas sur l'appareil pendant l'allumage. Assurez-vous que l'appareil est branché.

ÉTAPE 01 Appuyez sur le bouton MARCHE.

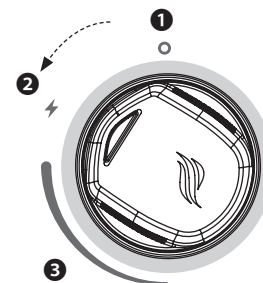
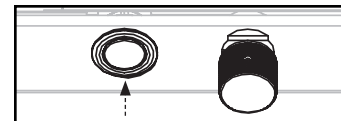
(Facultatif: tournez le gradateur jusqu'à ce qu'il s'enclenche pour éteindre les lumières de la plaque d'eau.)

ÉTAPE 02

① Appuyez sur le bouton de commande pour démarrer l'écoulement du gaz. (**BLANC**)

② Tournez le bouton de commande dans le sens antihoraire pour activer le démarreur. (**BLEU CLIGNOTANT**)

③ Vérifiez la flamme et ajustez la température au niveau désiré. (**ORANGE**)



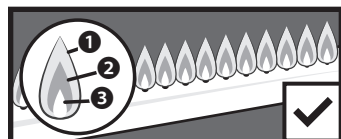
Remarque: Si l'aimant du bouton est déconnecté, le voyant lumineux sera orange. Si la flèche du bouton est orientée vers le HAUT, le gaz ne circule pas.

3. VÉRIFIEZ TOUJOURS LA FLAMME DU BRÛLEUR AVANT UTILISATION.

ÉTAPE 01 Allumez les brûleurs et tournez les boutons de HAUT à BAS.

ÉTAPE 02 Regardez sous la surface de cuisson pour voir les brûleurs. Lorsque le bouton est sur HIGH, les flammes doivent être plus grandes que lorsque le bouton est sur LOW.

MODÈLE DE FLAMME SAIN



① Scintillements de couleur jaune.
② Couleur bleu foncé. ③ Bleu vif.

JAUNE OU IRRÉGULIER



En cas de chute soudaine ou de problème de flamme faible, veuillez vous référer au chapitre Dépannage.

SI L'ALLUMAGE NE SE PRODUIT PAS DANS LES 5 SECONDES :

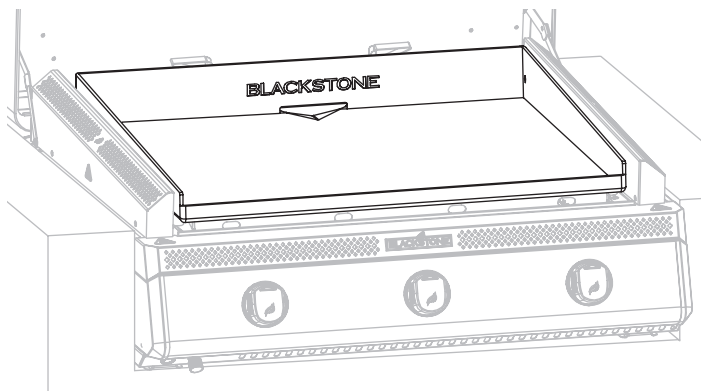
ÉTAPE 01 Éteignez le bouton de commande du brûleur.

ÉTAPE 02 Attends 5 minutes.

ÉTAPE 03 Répétez la procédure d'éclairage.

Si le brûleur ne s'allume pas, veuillez vous référer au chapitre Dépannage.

INSTRUCTIONS D'ASSAISONNEMENT POUR PLAQUE CHAUFFANTE



LAVER LE DESSUS DE VOTRE PLANCHA AVANT LA PREMIÈRE UTILISATION

AVIS

Le savon ruinerait une plaque chauffante assaisonnée. C'est la seule fois où vous devez utiliser du savon sur la surface de cuisson de la plaque chauffante.

ÉTAPE 01 Lavez la surface de cuisson de la plaque chauffante avec de l'eau chaude savonneuse.

ÉTAPE 02 Rincez et séchez complètement.

ASSAISONNER VOTRE PLANCHA



DIDACTICIEL VIDÉO

Comment assaisonner une nouvelle plaque chauffante Blackstone
[youtube.com/watch?v=VspmDVnj2pl&t=3s](https://www.youtube.com/watch?v=VspmDVnj2pl&t=3s)

ÉTAPE 01 Essuyez tous les débris du dessus de la plaque chauffante.



ÉTAPE 02 Réglez votre plaque chauffante à feu vif jusqu'à ce que le dessus de votre plaque chauffante change de couleur. (~10 minutes)



ÉTAPE 03 Utilisez des pinces pour tenir une serviette en papier ou un chiffon en coton et étalez 2 à 3 cuillères à soupe de votre huile d'assaisonnement sur tout le dessus de la plaque chauffante.

Lorsque vous assaisonnez le dessus de votre plaque chauffante, n'oubliez pas d'utiliser une couche d'huile fine et uniforme - plus la couche d'huile est fine, plus il sera facile de la brûler.



ÉTAPE 04 Le dessus de la plaque chauffante est prêt pour une autre couche d'huile lorsqu'il cesse de fumer. Répétez **L'ÉTAPE 03** 3 à 4 fois ou jusqu'à ce que la surface de la plaque chauffante soit noire.



AVIS

Ne rangez aucun objet à moins de 8 cm (3 po) du dessus de la plaque chauffante pendant son utilisation.

QUELLE HUILE EST PRÉFÉRABLE D'UTILISER?

- Blackstone Seasoning and Cast Iron Conditioner.
- Toute huile de cuisson à base de plantes.
- Graisse animale fondue sans additifs.



ATTENTION

Jetez correctement les chiffons/serviettes utilisés pour répandre l'huile sur votre plaque chauffante afin d'éviter les incendies qui pourraient survenir en raison d'une combustion spontanée.

Dans de bonnes conditions, l'huile résiduelle sur les chiffons ou les serviettes peut s'oxyder longtemps après avoir été retirée d'une source de chaleur. Le processus d'oxydation lui-même produit de la chaleur qui, si elle n'est pas dissipée, peut s'accumuler et provoquer l'inflammation des chiffons/serviettes et des matériaux environnants.

DÉPANNAGE DE L'ASSAISONNEMENT

IL Y A UN RÉSIDU BRUNÂTRE SUR LA SURFACE DE LA PLAQUE CHAUFFANTE:

CAUSES POSSIBLES

- Trop d'huile a été utilisée.
- Vous avez éteint le chauffage trop tôt.

LA SOLUTION

ÉTAPE 01 Allumez votre plaque chauffante à feu vif et laissez-la chauffer pendant 10 à 15 minutes.

ÉTAPE 02 Grattez autant que possible l'huile épaissie et partiellement cuite.

ÉTAPE 03 Réassaisonnez avec une très fine couche d'huile.

LES BORDS DE LA SURFACE DE LA PLAQUE CHAUFFANTE NE SONT PAS NOIRS:

Après avoir utilisé votre plaque chauffante pour plusieurs cuisiniers, l'assaisonnement s'uniformisera et s'améliorera.

PRÉVENTION DE LA ROUILLE

Utilisez fréquemment votre plancha. Chaque fois que vous cuisinez, vous ajoutez de l'assaisonnement, ce qui rend la rouille moins probable.

AVIS

Si vous vivez dans un climat humide ou côtier, votre plancha peut nécessiter des assaisonnements plus fréquents entre les utilisations.

Si de la rouille apparaît sur la surface de la plaque chauffante, frottez-la avec de la laine d'acier, du papier de verre à faible grain ou la **Blackstone Pumice Stone** et ré-assaisonnez la surface.



DIDACTICIEL VIDÉO

Récupération de votre plaque chauffante Blackstone
[youtube.com/watch?v=thPE2IgnSil](https://www.youtube.com/watch?v=thPE2IgnSil)



CUISINER SUR VOTRE BLACKSTONE

⚠ ATTENTION

Cet appareil sera chaud pendant et après son utilisation. Utilisez des ustensiles à long manche et des gants de cuisine/de protection lorsque vous manipulez des pièces potentiellement chaudes, y compris les poignées proches du corps de l'appareil, pour vous protéger contre les brûlures et les éclaboussures.

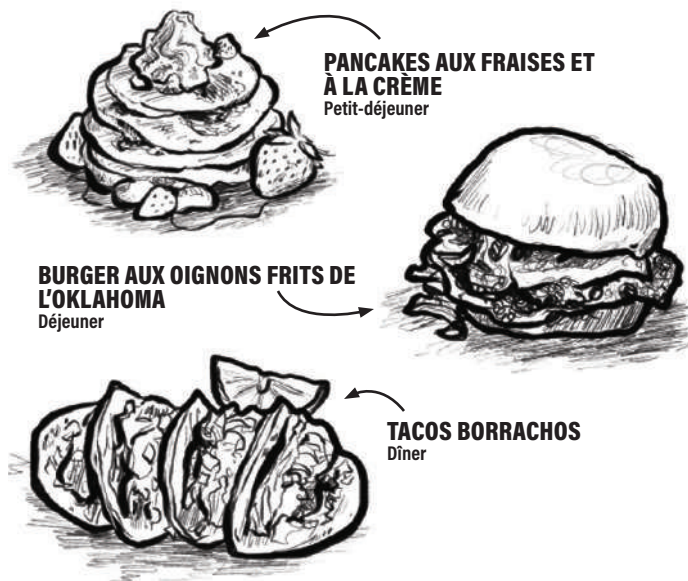
RECETTES VIDÉO

Trouvez des recettes et des conseils de cuisine sur:

[BlackstoneProducts.com/recipes](https://www.blackstoneproducts.com/recipes)

[youtube.com/BlackstoneGriddles](https://www.youtube.com/BlackstoneGriddles)

[f](https://www.facebook.com/blackstoneproducts) [p](https://www.pinterest.com/blackstoneproducts) [@blackstoneproducts](https://www.instagram.com/blackstoneproducts)



NETTOYER LE DESSUS DE VOTRE PLANCHA

Nettoyez le dessus de la plaque chauffante après chaque utilisation, pendant qu'il est encore chaud.

- N'UTILISEZ PAS de savon sur le dessus de la plaque chauffante. Cela détruira l'assaisonnement de la plaque chauffante.



DIDACTICIEL VIDÉO

Comment nettoyer votre plaque chauffante Blackstone
[youtube.com/watch?v=-ledu9z6NPY](https://www.youtube.com/watch?v=-ledu9z6NPY)

ÉTAPE 01 Poussez les débris alimentaires dans le bac à graisse avec une spatule ou un grattoir métallique droit.



ÉTAPE 02 Essuyez le dessus de la plaque chauffante avec une serviette en papier.



ÉTAPE 03 Appliquez quelques cuillères à soupe d'eau sur la surface de la plaque chauffante, puis raclez l'eau et les débris dans le bac à graisse. (Pour les résidus alimentaires collés, utilisez un peu de gros sel.)



ÉTAPE 04 Essuyez à nouveau avec une serviette en papier et séchez complètement.



ÉTAPE 05 Appliquez une fine couche d'huile de cuisson pour maintenir l'assaisonnement et protéger le dessus de la plaque chauffante.



VIDEZ VOTRE GODET À GRAISSE

Le bac à graisse doit être retiré et vidé après chaque utilisation.

⚠ ATTENTION

Le bac à graisse sera chaud pendant et après l'utilisation. Ne retirez pas le bac à graisse tant que la plaque chauffante n'est pas complètement refroidie.

ENTRETIEN ET MAINTENANCE

⚠ AVERTISSEMENT

L'accumulation de graisse peut provoquer un incendie. Nettoyez toute partie de l'appareil qui devient chaude et qui subit une accumulation de graisse après chaque utilisation.

⚠ ATTENTION

Tout le nettoyage et l'entretien doivent être effectués lorsque l'appareil est froid et que tout est éteint.

- N'UTILISEZ PAS de tampon abrasif sur les zones comportant des graphiques.
- Si une brosse à poils est utilisée pour nettoyer l'une des surfaces de cuisson, assurez-vous qu'aucun poil lâche ne reste sur les surfaces de cuisson avant la cuisson.

CORPS DE L'APPAREIL:

Laver à l'eau tiède savonneuse et essuyer immédiatement avec un chiffon non abrasif. (Ne laissez pas les agents de nettoyage reposer sur une surface poreuse pendant une période prolongée.)

AVIS

N'UTILISEZ PAS de Citrisol, de nettoyants abrasifs ou de nettoyant concentré sur l'appareil. Cela peut entraîner des dommages et une défaillance des pièces.

STOCKAGE D'APPAREILS

⚠ AVERTISSEMENT

Ne déplacez pas l'appareil pendant son utilisation. Laissez l'appareil refroidir à 115°F (45°C) avant de le déplacer ou de le ranger.

Le stockage d'un appareil à l'intérieur n'est autorisé que si l'alimentation en gaz est coupée et retirée de l'appareil.

GUIDE D'AJUSTEMENT DE COUVERTURE

Couvrez toujours votre appareil lorsqu'il est rangé à l'extérieur.



Pour trouver une housse adaptée à votre appareil, visitez BlackstoneProducts.com/support.

NETTOYAGE DE L'ENSEMBLE BRÛLEUR

Pour réduire les risques de « retour de flamme », la procédure ci-dessous doit être suivie au moins une fois par mois lorsque les araignées sont les plus actives ou lorsque votre appareil n'a pas été utilisé pendant une période de temps.



DIDACTICIEL VIDÉO

Comment nettoyer votre tube de brûleur
 ▶ youtube.com/watch?v=xKQTCrFCzf8

ÉTAPE 01 Assurez-vous que le gaz est éteint au niveau des boutons de commande et de l'alimentation en gaz. Retirez le dessus de la plaque chauffante.

ÉTAPE 02 Détachez et retirez soigneusement le brûleur.



ÉTAPE 03 Nettoyez l'intérieur du brûleur:

- Passez une brosse à bouteille (pas une brosse métallique) ou un fil rigide plié en un petit crochet à travers chaque tube de brûleur plusieurs fois.
- Utilisez de l'air comprimé pour souffler à travers le tube du brûleur et les orifices du brûleur (portez des lunettes de protection).



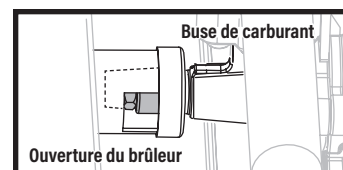
ÉTAPE 04 Brossez toute la surface extérieure du brûleur pour enlever la saleté.



ÉTAPE 05 Nettoyez tous les ports bloqués avec un fil rigide tel qu'un trombone ouvert.



ÉTAPE 06 Remplacez soigneusement les brûleurs et rattachés-les, en faisant attention à l'emplacement de l'aiguille d'allumage.



⚠ La buse de carburant de la rampe de gaz doit être réengagée dans l'ouverture du brûleur.



DÉPANNAGE

DÉPANNAGE D'ALLUMAGE

LE BRÛLEUR NE S'ALLUME PAS:

Si l'allumage ne se produit pas dans les 5 secondes:

ÉTAPE 01 Éteignez le bouton de commande du brûleur.

ÉTAPE 02 Attendez 5 minutes.

ÉTAPE 03 Répétez la procédure d'allumage.

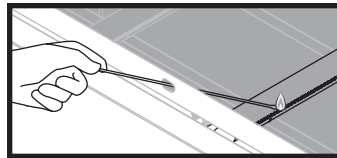
Si cela ne fonctionne pas, pour en déterminer la cause, essayez d'allumer votre appareil avec une allumette.

INSTRUCTIONS D'ALLUMAGE DES ALLUMETTES

Avant de commencer, vérifiez les fuites de gaz. Ouvrez le capot (le cas échéant).

ÉTAPE 01 Tourner le bouton de commande en position OFF.

ÉTAPE 02 Allumez une allumette (ou un long briquet) d'au moins 11 pouces de long.



ÉTAPE 03 Placez la flamme sur le côté droit ou gauche du brûleur.

ÉTAPE 04 Poussez et tournez le bouton de commande pour faire couler le gaz. Assurez-vous que le brûleur s'allume et reste allumé.

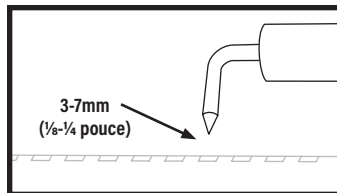
SI VOUS POUVEZ ALLUMER VOTRE APPAREIL AVEC UNE ALLUMETTE:

CAUSES POSSIBLES

Fil d'allumage mal aligné.

LA SOLUTION

Assurez-vous que l'aiguille de l'allumeur est positionnée à 3-7 mm (1/8-1/4 pouce) du brûleur et alignée avec les trous du brûleur.



Dommages au système d'allumage.

Contactez le service client pour les pièces de rechange.

SI VOUS NE PARVEZ PAS À ALLUMER VOTRE APPAREIL AVEC UNE ALLUMETTE:

CAUSES POSSIBLES

Les tubes de brûleur ne reçoivent pas de combustible.

LA SOLUTION

Nettoyez l'ensemble du brûleur pour éliminer l'obstruction.

DÉPANNAGE DU DÉBIT DE GAZ

L'APPAREIL N'ATTEINDRA PAS UNE CHALEUR ÉLEVÉE OU CHAUFFERA DE MANIÈRE INÉGALE :

- Les flammes du brûleur sont jaunes ou irrégulières.
- Les flammes du brûleur commencent à être fortes, puis chutent immédiatement au niveau bas même lorsque le brûleur est réglé en position haute.
- La hauteur de la flamme diminue lorsqu'un deuxième brûleur est allumé.
- Les flammes ne s'étendent pas sur toute la longueur du brûleur ou ne circulent que d'un côté du brûleur.
- Les flammes du brûleur sont irrégulières.

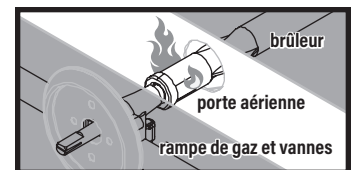
CAUSES POSSIBLES

Obstructions dans le brûleur, les jets de gaz ou la rampe de carburant.

LA SOLUTION

Nettoyez le brûleur, les jets et le tuyau de gaz.

- Une flamme sort de la grille d'aération:



CAUSES POSSIBLES

Quelque chose bloque le venturi dans le tube du brûleur.

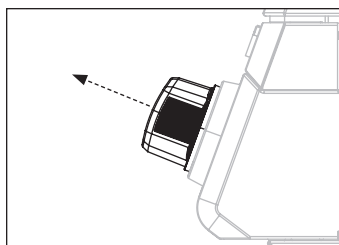
LA SOLUTION

Nettoyez l'ensemble du brûleur pour éliminer l'obstruction.

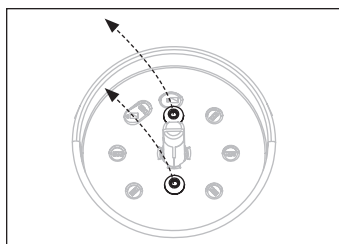
REPLACEMENT DE LA CARTE DE CIRCUIT IMPRIMÉ DU BOUTON

Si le bouton de commande ne fonctionne pas, il se peut que le PCB doive être remplacé.

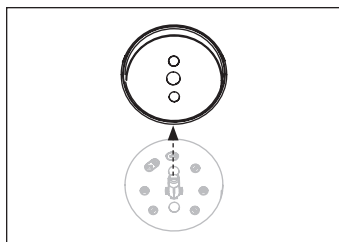
ÉTAPE 01 Retirez le bouton de commande non fonctionnel et mettez-le de côté.



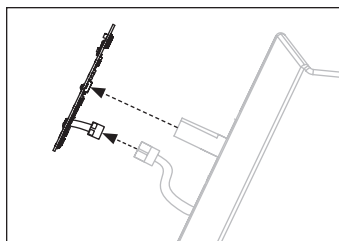
ÉTAPE 02 Utilisez un tournevis cruciforme pour retirer les deux (2) vis M4x10 de la lunette du bouton et mettez-les de côté.



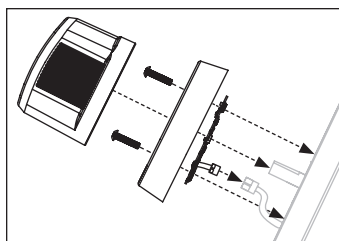
ÉTAPE 03 Retirez la lunette du bouton et mettez-la de côté.



ÉTAPE 04 Soulevez la carte PCB du bouton et déconnectez le fil de l'arrière de la carte PCB du bouton.



ÉTAPE 05 Branchez le connecteur dans le nouveau PCB du bouton. Inversez les étapes d'assemblage ci-dessus pour réinstaller le bouton de commande.





Cette page a été intentionnellement laissée vierge

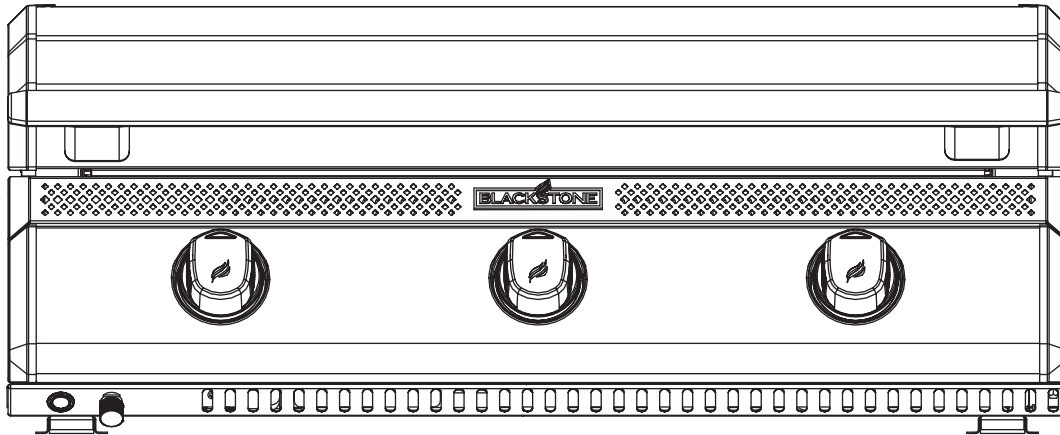
Cette page a été intentionnellement laissée vierge



Cette page a été intentionnellement laissée vierge



Ce produit peut être couvert par un ou plusieurs brevets américains et/ou internationaux délivrés et peut inclure des demandes de brevet en instance. Pour plus d'informations, rendez-vous sur: BlackstoneProducts.com/patents



MANUAL DEL PROPIETARIO

PLANCHA DE 3 QUEMADORES LISTA PARA GAS NATURAL DROP-IN CON CAPUCHA

TABLA DE CONTENIDO

INFORMACION DE SEGURIDAD IMPORTANTE	02
ATENCIÓN AL CLIENTE	03
GUÍA DE MONTAJE	04
USANDO SU BLACKSTONE	08
SOLUCIÓN DE PROBLEMAS	15



Para obtener la última versión de este manual, escanee este código o visite BlackstoneProducts.com/support

IMPORTANTE:

Este manual de instrucciones contiene información importante necesaria para el correcto montaje y uso seguro del aparato.

Lea y siga todas las advertencias e instrucciones antes de ensamblar y usar el aparato.

Siga todas las advertencias e instrucciones cuando utilice el aparato.

Guarde este manual para referencia futura.

Instalador/Ensamblador: Deje estas instrucciones con el consumidor.

CLAVE DE ALERTA DE SEGURIDAD

⚠ PELIGRO

Indica una situación peligrosa que, si NO SE evita, provocará la muerte o lesiones graves.

⚠ ATENCIÓN

Indica una situación peligrosa que, si NO SE evita, podría provocar lesiones leves o moderadas.

⚠ ADVERTENCIA

Indica una situación peligrosa que, si NO SE evita, podría provocar la muerte o lesiones graves.

AVISO

Indica información que se considera importante, pero no relacionada con peligros (por ejemplo, mensajes relacionados con daños a la propiedad).

INFORMACION DE SEGURIDAD IMPORTANTE

⚠ PELIGRO

Si huele a gas:

- Cierre el suministro de gas al aparato.
- Apague cualquier llama abierta.
- Abra el capó (si corresponde).
- Si el olor continúa, manténgase alejado del aparato y llame inmediatamente a su proveedor de gas o al departamento de bomberos.

El incumplimiento de estas instrucciones podría provocar incendios o daños a la propiedad, lesiones personales o la muerte.

⚠ PELIGRO

- **NUNCA** opere este aparato sin supervisión.
- Si ocurriera un incendio, manténgase alejado del aparato y llame inmediatamente a los bomberos. **NO INTENTE** extinguir un incendio de aceite o grasa con agua.

El incumplimiento de estas instrucciones podría provocar incendios o daños a la propiedad, lesiones personales o la muerte.

⚠ ADVERTENCIA

- No almacene ni use gasolina u otros líquidos o vapores inflamables cerca de este o cualquier otro aparato.
- Un cilindro de GLP que no esté conectado para su uso no debe almacenarse cerca de este ni de ningún otro aparato.

SEGURIDAD DE LOS APARATOS DE GAS

- El uso de alcohol, medicamentos recetados o de venta libre puede afectar la capacidad del consumidor para ensamblar correctamente u operar de manera segura el electrodoméstico.
- Mantenga a los niños y las mascotas alejados del aparato en todo momento.
- Tenga a mano un extintor de incendios tipo BC o ABC.

NO LO USE PARA FINES DISTINTOS A LOS PREVISTOS.

- Sólo para uso doméstico en exteriores, no para uso comercial.
- NO UTILICE este aparato como calentador.

⚠ ADVERTENCIA

La instalación, el uso, el ajuste, la alteración, el servicio, la modificación o el mantenimiento inadecuados pueden causar lesiones o daños a la propiedad. Consulte este manual.

LA INSTALACIÓN DEBE CUMPLIR CON LOS CÓDIGOS LOCALES.

En ausencia de códigos locales, la instalación debe cumplir con ANSI Z223.1/NFPA 54, CSA B149.1 o CSA B149.2.

SEGURIDAD DE LOS ELECTRODOMÉSTICOS

PARA PROTEGERSE CONTRA DESCARGAS ELÉCTRICAS:

- No sumerja el cable ni los enchufes en agua u otro líquido.
- Desenchúfelo del tomacorriente cuando no esté en uso y antes de limpiarlo. Deje enfriar antes de poner o quitar piezas.
- NO OPERE este electrodoméstico con un cable o enchufe dañado o después de que el electrodoméstico funcione mal o haya sido dañado de alguna manera. Póngase en contacto con el fabricante para su reparación.
- No deje que el cable cuelgue del borde de una mesa ni toque superficies calientes.
- Mantenga el cable de suministro eléctrico y la manguera de suministro de combustible alejados de superficies calientes.
- Al realizar la conexión, primero conecte el enchufe al aparato y luego al tomacorriente.

USE SOLO UN CIRCUITO PROTEGIDO POR INTERRUPTOR DE FALLA A TIERRA (GFI) CON ESTE APARATO.

- Este electrodoméstico, una vez instalado, debe conectarse a tierra de acuerdo con los códigos locales o, en ausencia de códigos locales, con el Código Eléctrico Canadiense NFPA 70, Parte I.
- NO RETIRE el enchufe de conexión a tierra ni lo use con un adaptador de 2 clavijas.
- Use solo cables de extensión con un enchufe de conexión a tierra de 3 clavijas, clasificado para la potencia del equipo y aprobado para uso en exteriores con una marca W-A.



ATENCIÓN AL CLIENTE

CONTACTA CON NOSOTROS

Visítenos en línea en BlackstoneProducts.com/support para obtener ayuda sobre el uso del aparato, las piezas de repuesto o la garantía.

HORARIO DE ATENCIÓN AL CLIENTE:

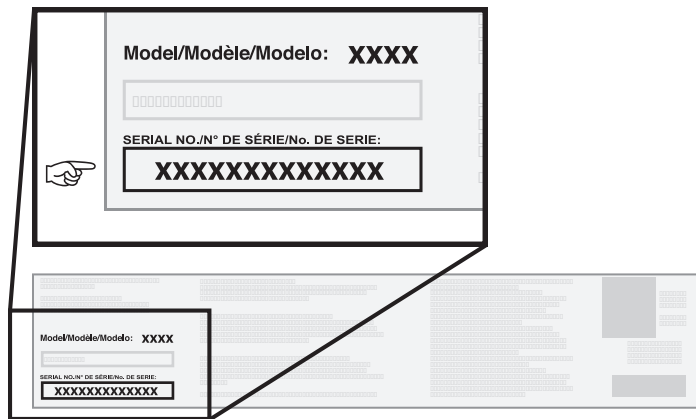
 Lunes Viernes
7:00 am a 5:00 pm (Hora de la mañana)

UBICACIÓN DEL NÚMERO DE SERIE

Para habilitar su garantía, deberá proporcionar el número de serie de su electrodoméstico.

El número de serie se puede encontrar en la etiqueta del fabricante de su electrodoméstico.

(La etiqueta del fabricante es una etiqueta plateada grande que se encuentra en el cuerpo de su electrodoméstico).



GARANTÍA DE UN AÑO

North Atlantic Imports, LLC garantiza este producto contra defectos de materiales y mano de obra por un período de un (1) año a partir de la fecha original de compra en condiciones de uso normal. En la medida en que se produzcan dichos defectos, North Atlantic Imports, LLC., a su discreción, proporcionará las piezas de repuesto adecuadas sin coste alguno.

En ningún caso North Atlantic Imports, LLC será responsable de los daños consecuentes, indirectos o incidentales que resulten de la instalación, el uso o la falla del producto.

Esta garantía NO cubre:

- Costos de inspección o mano de obra para el reemplazo de cualquier pieza defectuosa;
- Defectos cosméticos que no afectan el rendimiento o la integridad del producto;
- Uso y desgaste normal;
- Daños por vandalismo; actos de la naturaleza, incluidos, entre otros, viento, tormentas, granizo, inundaciones;
- Montaje, instalación o uso inadecuado;
- Decoloración o decoloración del acabado como resultado de la exposición a productos químicos, derrames, piscina o agua salada;
- Corrosión/óxido.

Este producto ha sido diseñado para brindar seguridad y calidad. Cualquier modificación realizada al producto original podría comprometer su integridad estructural o su función y podría provocar fallas en el producto o lesiones personales. Como tal, modificar este producto anula todas las garantías.

Este producto es SOLO PARA USO RESIDENCIAL y no para fines comerciales, contractuales ni otros fines no residenciales. North Atlantic Imports, LLC renuncia a todas las demás representaciones y garantías de cualquier tipo, expresas o implícitas.

La garantía se aplica al comprador original y no es transferible. NO SE aplica a accesorios o piezas que NO SE suministran con el producto, a compras de modelos de exhibición ni a productos que se venden en liquidación o "tal cual". Sin embargo, es posible que tenga otros derechos legales específicos según las leyes de su estado o país de residencia específico.

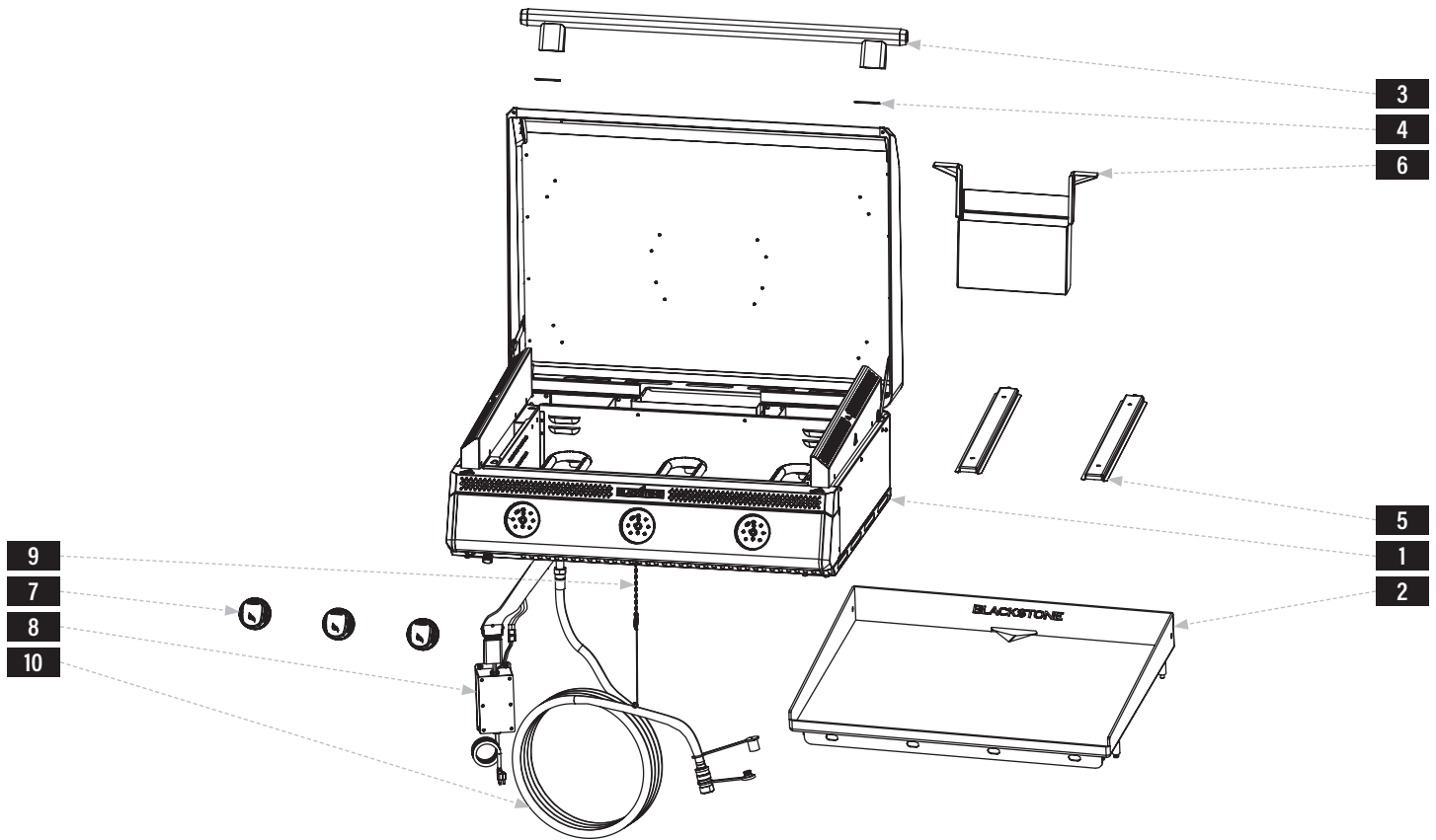
Para activar su garantía, registre su producto en

BlackstoneProducts.com/register

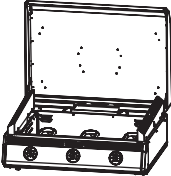
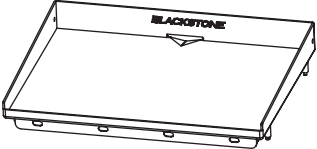
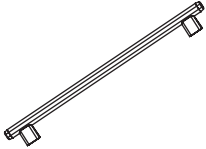
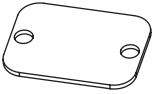
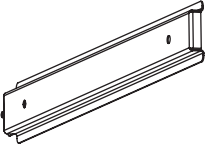


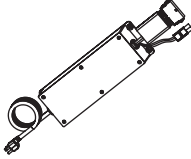


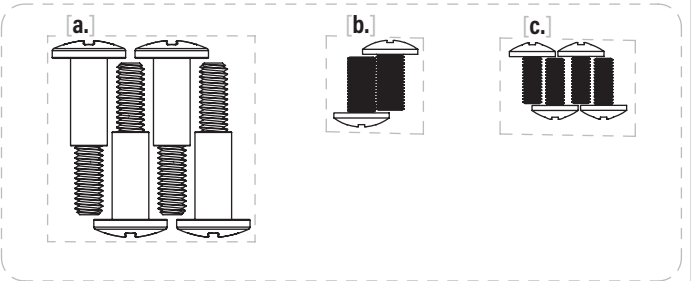
North Atlantic Imports, LLC se reserva el derecho de cambiar o modificar esta garantía en cualquier momento.

GUÍA DE MONTAJE

VISTA EN DESPIECE ORDENADO



ESPAÑOL

<p>1 Cuerpo de plancha (1 pieza)</p> 	<p>2 Plancha superior (1 pieza)</p> 	<p>3 Asa de capota (1 pieza)</p> 	<p>4 Arandelas de mica (2 piezas)</p> 		
<p>5 Canales de sombrero (2 piezas)</p> 	<p>6 Copa de grasa (1 pieza)</p> 	<p>7 Perillas de control (3 piezas)</p> 	<p>8 Caja de PCB (1 pieza)</p> 	<p>9 Portacerillas (1 pieza)</p> 	<p>10 Manguera y conector rápido (1 pieza)</p> 
<p>11 Paquete de hardware (1 pieza)</p> <p>a. Pernos de hombro M6 (4 piezas)</p> <p>b. Tornillos M5x10 (2 piezas)</p> <p>c. Tornillos M4x10 (4 piezas)</p>					



INSTRUCCIONES DE MONTAJE

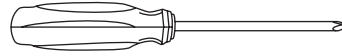
Encuentre un área grande y limpia para ensamblar su electrodoméstico.
Retire todo el material de embalaje antes de ensamblar.

⚠ ATENCIÓN

Bordes afilados. Use guantes durante el montaje.

⚠ ATENCIÓN

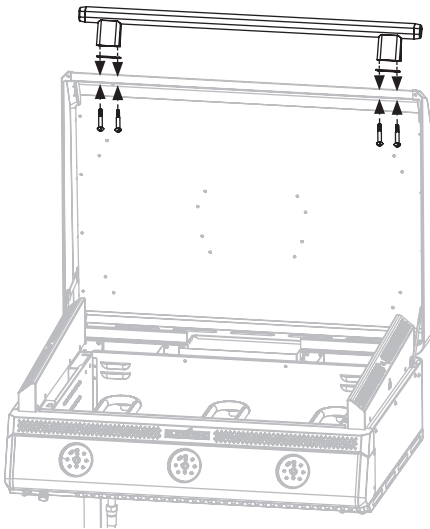
Piezas pesadas. Dos personas deben armar este aparato.



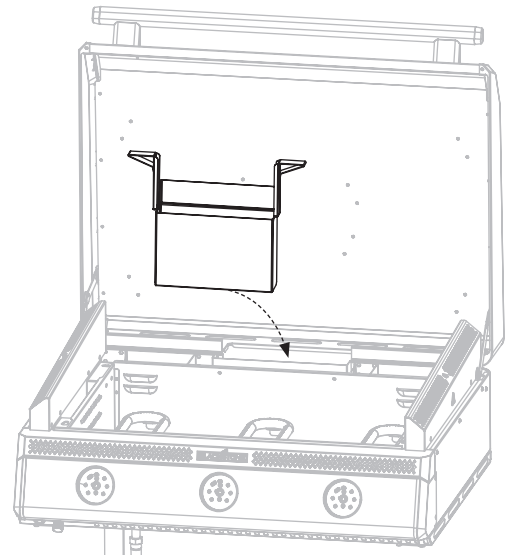
HERRAMIENTA NECESARIA:

Destornillador de cabeza Phillips n.º 3

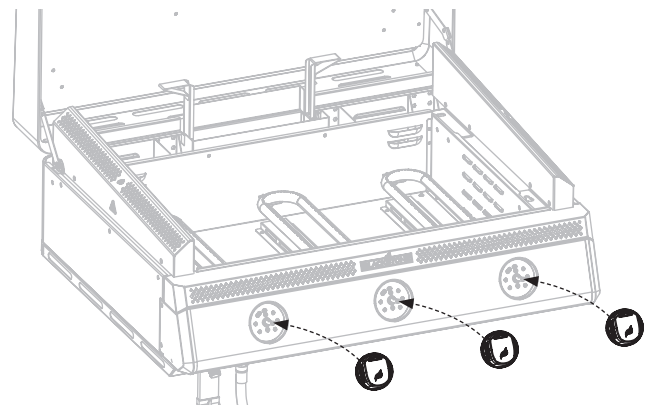
PASO 01 Use cuatro (4) pernos con reborde M6 [a.] para sujetar la manija y el separador de la manija de la campana y dos (2) arandelas de mica al frente de la campana.



PASO 02 Deslice la taza de grasa en el soporte en la parte posterior del cuerpo de la plancha.



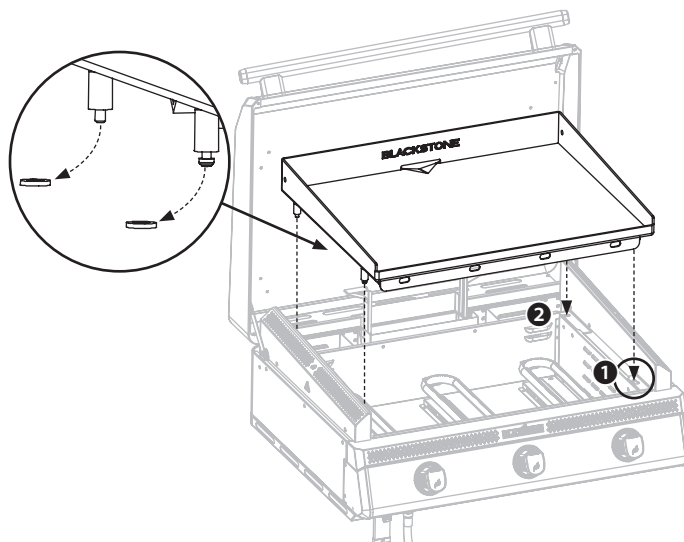
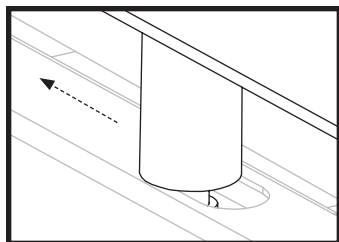
PASO 03 Instale las tres (3) perillas de control empujándolas hacia su lugar en la posición APAGADO.



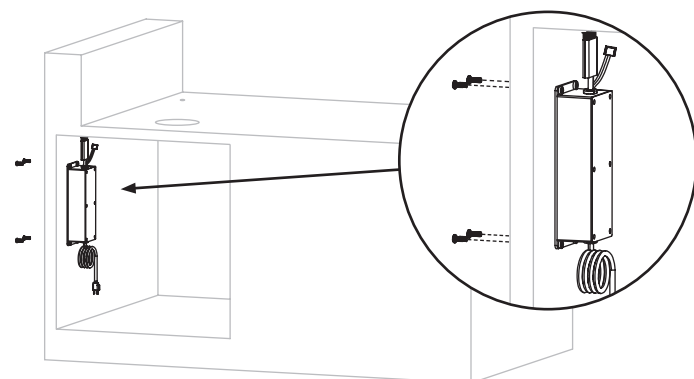
PASO 04 Retire las cuatro (4) arandelas protectoras de los pasadores de las patas de la plancha. **Con la ayuda de otra persona**, coloque la parte superior de la plancha sobre el cuerpo de la plancha alineando los pasadores de las cuatro patas con los orificios en la parte superior de la unidad.

1 Coloque los dos pasadores delanteros en los orificios de bloqueo delanteros y empuje la parte superior de la parrilla hacia atrás.

2 Luego, coloque los dos pasadores traseros en los orificios traseros.

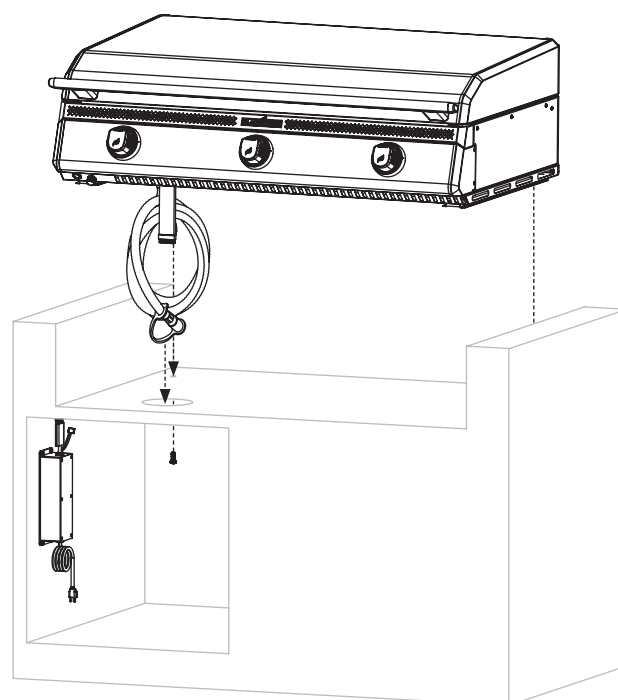


PASO 05 Utilice cuatro (4) tornillos M4x10 [c.] para fijar la caja de PCB al panel lateral izquierdo de su gabinete.



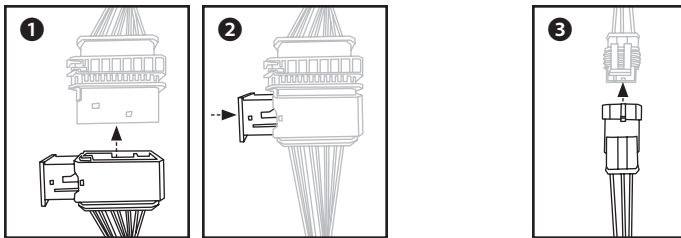
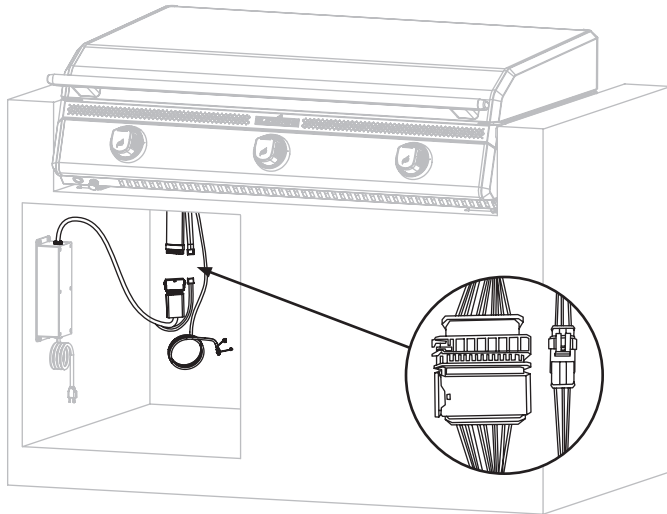
PASO 06 **Con la ayuda de otra persona**, dirija la manguera y los cables eléctricos a través del orificio del gabinete y coloque el cuerpo de la plancha encima del gabinete.

Utilice dos (2) tornillos M5x10 [b.] para fijar el cuerpo de la plancha a su gabinete.

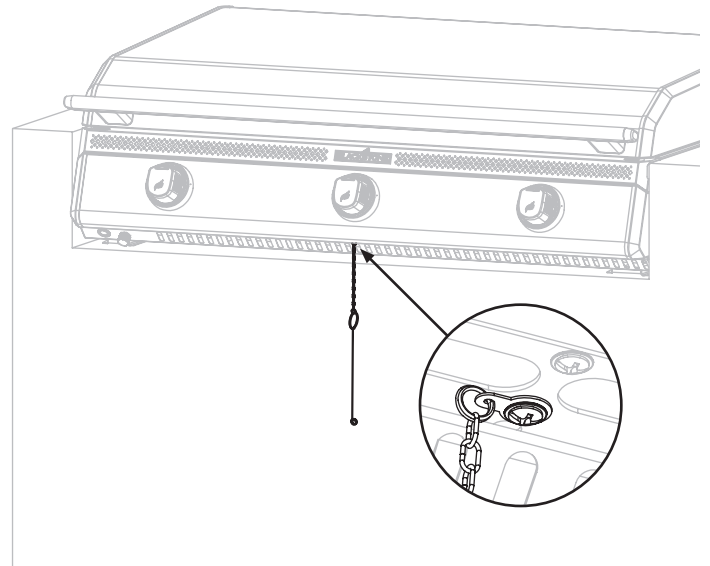




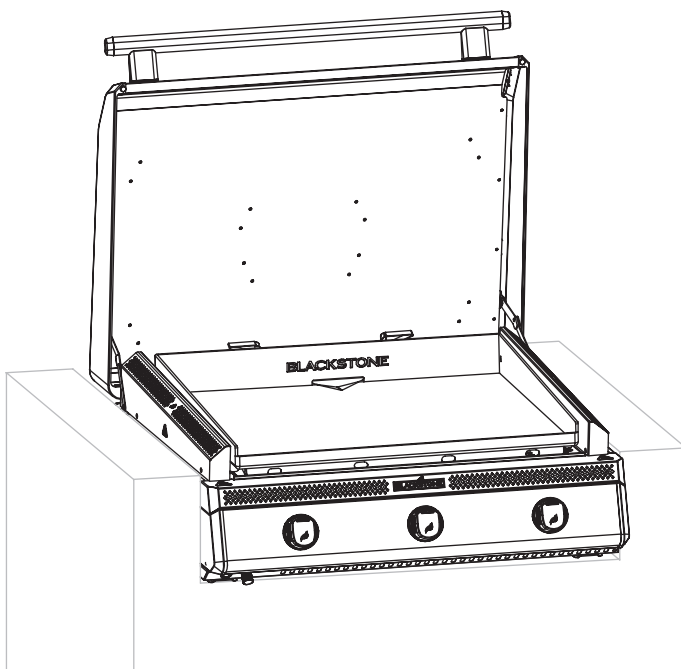
- PASO 07**
- 1 Empuje el conector macho y hembra 18P juntos.
 - 2 Presione el clip amarillo para bloquear el conector.
 - 3 Empuje el conector 3P macho y hembra juntos.



- PASO 08** Retire el tornillo autorroscante del cuerpo de la plancha y utilícelo para fijar el soporte para fósforos.



- PASO 09** Continúe con **USANDO SU BLACKSTONE.**



⚠ ATENCIÓN

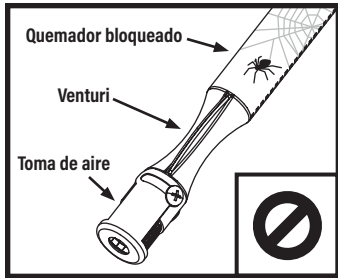
Aparato caliente. La cubierta/tapa/capó (según corresponda) DEBE estar abierta/quitada cuando el aparato esté en uso.

USANDO SU BLACKSTONE

ANTES DE COCINAR COMPROBAR QUEMADORES

Antes de la conexión y el uso, asegúrese de que no haya residuos atrapados ni daños en la cabeza del cilindro de gas, el regulador, la manguera, el quemador y los puertos del quemador.

Las arañas y los insectos pueden anidar dentro y obstruir el quemador/tubo venturi en el orificio.



⚠ ADVERTENCIA
Un quemador obstruido puede provocar un incendio debajo del aparato. El quemador debe retirarse y limpiarse cada vez que se encuentren obstrucciones.



⚠ Asegúrese de que el orificio de la boquilla de combustible del riel de gas esté correctamente enganchado dentro de la abertura del quemador.

LA TEMPERATURA AMBIENTE MÍNIMA DE FUNCIONAMIENTO ES DE 0 °F (-18 °C).

⚠ PELIGRO

Los artículos inflamables pueden arder si se colocan cerca del aparato.

Mantenga el área del electrodoméstico despejada y libre de materiales combustibles, envases de aerosol, gasolina y otros vapores y líquidos inflamables.

⚠ ATENCIÓN

Si el aparato está equipado con un soporte para toallas de papel, el brazo debe estar en la posición abierta mientras el aparato está en uso.

SI GOTEA GRASA U OTRO MATERIAL CALIENTE SOBRE LA VÁLVULA, LA MANGUERA O EL REGULADOR:

PASO 01 Cierre el suministro de gas inmediatamente.

PASO 02 Determine la causa y corríjala.

PASO 03 Limpie e inspeccione la válvula, la manguera y el regulador.

PASO 04 Realice una prueba de fugas. (Consulte las instrucciones de prueba de fugas)

CONFIGURACIÓN DE SU ESPACIO AL AIRE LIBRE ESTE APARATO SOLO DEBE USARSE AL AIRE LIBRE.

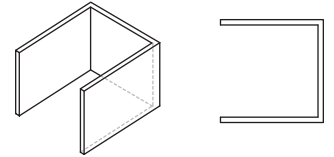
- NO USE este aparato dentro de edificios, garajes o cualquier otra área cerrada.
- NO INSTALE este aparato dentro o sobre un barco.
- NO INSTALE este aparato dentro o sobre un vehículo recreativo.

ÁREAS AL AIRE LIBRE PROTEGIDAS:

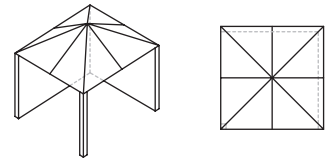
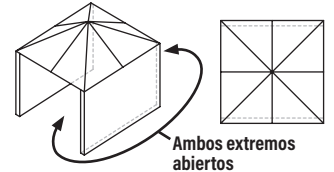
Todas las aberturas deben estar permanentemente abiertas; Las puertas correderizas, las puertas de garaje, las ventanas o las aberturas con mosquitero NO SE consideran aberturas permanentes.

Se considera que un electrodoméstico está al aire libre si se instala con una protección que no exceda de:

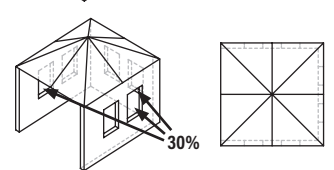
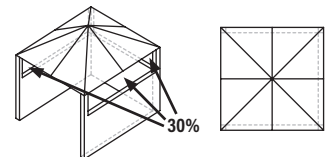
a. Con paredes en tres lados, pero sin cubierta superior.



b. Dentro de un recinto parcial que incluye una cubierta superior y no más de dos paredes laterales. Las paredes laterales pueden ser paralelas, como en un corredor, o en ángulo recto entre sí.

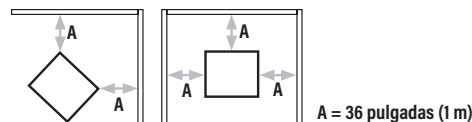


c. Dentro de un recinto parcial que incluye una cubierta superior y tres paredes laterales, siempre que el 30% o más de la periferia horizontal del recinto esté permanentemente abierta.



MANTENGA LAS DISTANCIAS ADECUADAS DEL MATERIAL COMBUSTIBLE:

- NO USE este electrodoméstico sobre o debajo de ningún apartamento o balcón o terraza de condominio.
- No obstruya el flujo de aire de combustión y ventilación.
- NO OPERE este aparato a menos de 36 pulgadas (1 m) desde los lados y la parte trasera del aparato hasta una construcción combustible.







INSTALACIÓN INTEGRADA

- Si su gabinete/estructura tiene componentes combustibles externos o internos (madera, plástico, etc.), su plancha DEBE usar una cubierta aislante.
- Si se instala debajo de una construcción combustible elevada, el aparato DEBE instalarse junto con una campana de ventilación de servicio pesado adecuada aprobada por UI710 o UIC S646.

REQUISITOS DE LA CHAQUETA AISLANTE

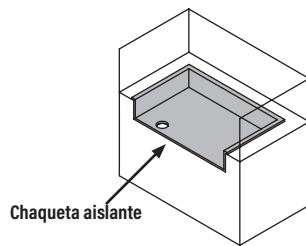
-  **NO** combustibles en esta área
-  Combustibles **BIEN** en esta área

CON CHAQUETA

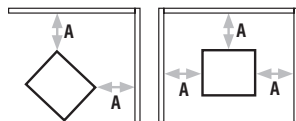
El gabinete/estructura puede estar fabricado con combustibles (Madera, plástico (PVC, HDPE), pintura a base de aceite, laca, etc.)

AVISO

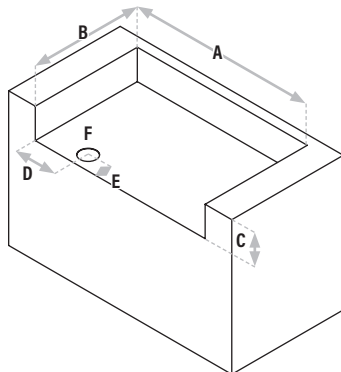
La cubierta aislante debe estar fijada permanentemente al gabinete.



NO OPERE este electrodoméstico a menos de 6 pulgadas (150 mm) de los lados y la parte posterior del electrodoméstico a una construcción combustible vertical. (paredes/salpicaduras)



CON CHAQUETA
A = 6 pulgadas (150 mm)



DIMENSIONES MÍNIMAS DE LA CAVIDAD

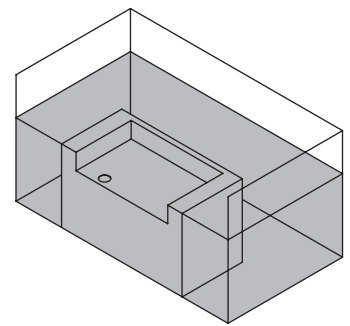
- A:** Ancho = 35.4 in (89.92 cm)
- B:** Profundidad = 26.09 in (66.27 cm)
- C:** Altura = 9.16 in (23.27 cm)
(> interferirá con el capó)

DIMENSIONES MÍNIMAS DEL AGUJERO

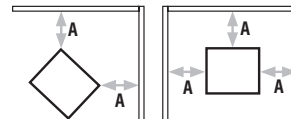
- D:** De lado = 9.39 in (23.86 cm)
- E:** De frente = 5.05 in (12.83 cm)
- F:** Diámetro = 4.33 in (10.93 cm)

SIN CHAQUETA

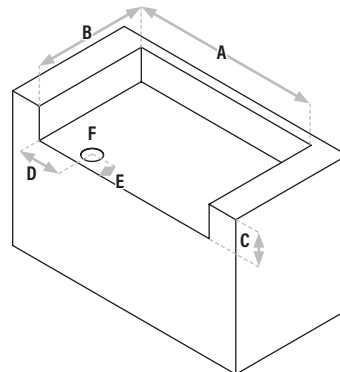
El gabinete/estructura DEBE estar fabricado ÚNICAMENTE con materiales NO combustibles (ladrillo, piedra, cemento, metal, vidrio, etc.)



NO OPERE este electrodoméstico a menos de 36 pulgadas (1 m) de los lados y la parte posterior del electrodoméstico a una construcción combustible.



SIN CHAQUETA
A = 36 pulgadas (150 mm)



DIMENSIONES MÍNIMAS DE LA CAVIDAD

- A:** Ancho = 33.32 in (84.64 cm)
- B:** Profundidad = 25.02 in (63.56 cm)
- C:** Altura = 7.59 in (19.28 cm)
(> interferirá con el capó)

DIMENSIONES MÍNIMAS DEL AGUJERO

- D:** De lado = 8.35 in (21.21 cm)
- E:** De frente = 5.05 in (12.83 cm)
- F:** Diámetro = 4.33 in (10.93 cm)

ESPAÑOL

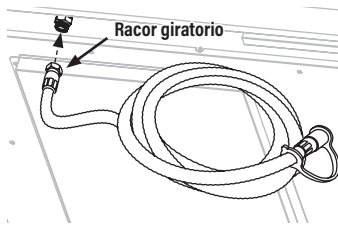
REQUISITOS DE GAS NATURAL

- El sistema fijo de tubería de combustible debe usar una tubería rígida, tubería semirrígida y/o un conector que cumpla con el Estándar para Conectores para Aparatos de Gas para Exteriores y Casas Prefabricadas, ANSI Z21.75 - CSA 6.27.
- Este electrodoméstico ha sido diseñado y construido para utilizar únicamente gas natural. NO INTENTE hacer funcionar este aparato utilizando gases que no sean gas natural a la presión indicada.
- Este aparato ha sido provisto con una manguera que debe usarse para su correcto funcionamiento. No reemplace la manguera. Si la manguera se desgasta o daña, comuníquese con atención al cliente para obtener un reemplazo.

CONEXIÓN AL SUMINISTRO DE GAS NATURAL

PASO 01 Utilice una llave ajustable para conectar el accesorio giratorio de la manguera de gas natural al aparato.

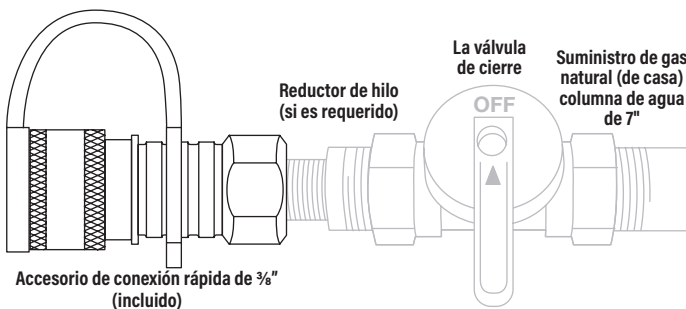
- No coloque la manguera de suministro de gas directamente debajo del aparato. No pase la manguera por debajo o a través de estructuras permanentes.
- Cada vez que cocine, debe revisar la manguera para detectar grietas, cortes y desgaste.



PASO 02 Si su línea de suministro de gas natural aún no está configurada con el accesorio de conexión/desconexión rápida del tamaño correcto, se incluye el correcto.

Nota: Use sellador de roscas si instala el accesorio de conexión/desconexión rápida proporcionado. El sellador de roscas debe tener una temperatura nominal de 400 °F (204 °C) y ser compatible con el gas natural. (Permatex #59214 o Loctite 592)

Nota: Para agregar el accesorio adecuado a su fuente de gas natural, haga que lo haga un profesional autorizado y asegurado.



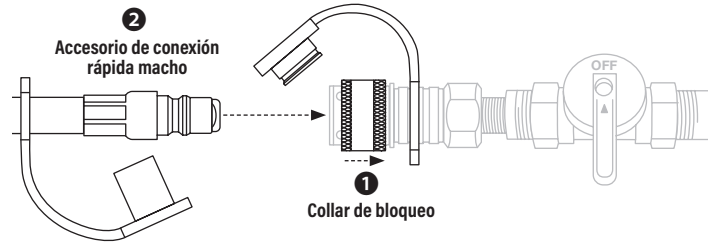
DESCONEXIÓN DEL SUMINISTRO DE GAS NATURAL

PASO 01 Para desconectar su aparato para limpiarlo o almacenarlo, asegúrese de que todas las perillas de control estén en la posición APAGADO y que el suministro de gas natural en la válvula de conexión rápida esté APAGADO.

PASO 02 1 Tire del collarín de bloqueo hacia atrás y retire la manguera de gas natural y suelte el collarín de bloqueo. 2 Separe la manguera y el accesorio.

PASO 03 Vuelva a instalar las cubiertas contra el polvo en la línea de suministro, así como la manguera de gas natural en el aparato.

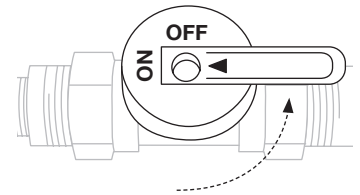
PASO 03 Conecte su electrodoméstico al suministro de gas natural desde la fuente quitando las cubiertas contra el polvo y asegurándose de que ambos accesorios estén libres de residuos. 1 Tire del collar de bloqueo hacia atrás en el accesorio y 2 empuje el accesorio de conexión rápida macho hasta el fondo y luego suelte el collar de bloqueo.



Tire de la manguera y el accesorio en direcciones opuestas para verificar que estén conectados.

PASO 04 Encienda el suministro de gas natural.

Antes de encender su electrodoméstico, realice una prueba de fugas.

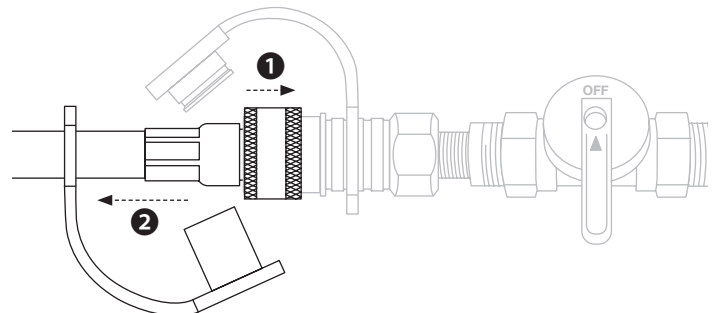
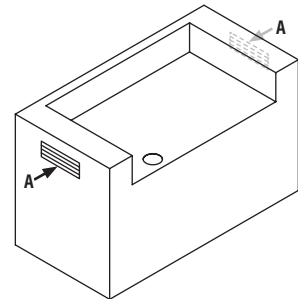


- Use una brocha limpia para aplicar una solución de agua y jabón suave 1% en todas las conexiones de manguera que haya completado.
- Aparecerán burbujas en el agua jabonosa si hay fugas.
- Si tiene alguna fuga, apague el suministro de gas natural inmediatamente y repare las fugas antes de usar.

Nota: Si no puede reparar las fugas, llame a un profesional calificado que tenga licencia y esté asegurado.

CONSTRUCCIÓN DE RECINTOS DE GAS NATURAL

A: Ventilaciones de 10 x 15 cm (4 x 6 pulgadas) en la parte superior y en ambos lados del gabinete.





INSTRUCCIONES DE ENCENDIDO

1. VÁLVULAS DE RETENCIÓN

PASO 01 Gire la perilla a la posición de APAGADO.

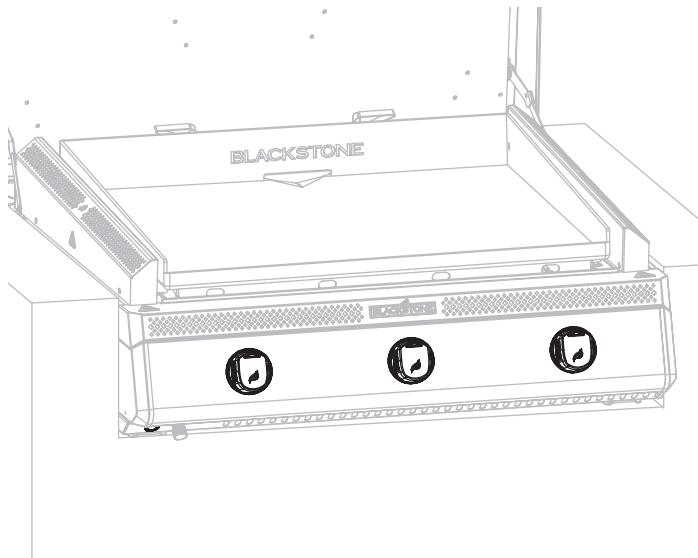
PASO 02 Empuje la perilla y suelte. La perilla debe retroceder. Si las perillas no retroceden, reemplace el ensamblaje de la válvula antes de usar el aparato.

PASO 03 Gire la perilla a BAJO y luego vuelva a APAGADO. La perilla debe girar suavemente.

⚠ ADVERTENCIA

Si el quemador NO SE enciende con la válvula de suministro de gas abierta, el gas seguirá saliendo del quemador y podría encenderse accidental o inadvertidamente con riesgo de lesiones.

Asegúrese de que el gas esté cerrado en la válvula de cierre de suministro antes de revisar las válvulas del aparato.

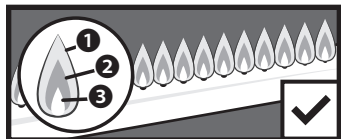


3. SIEMPRE REVISE LA LLAMA DEL QUEMADOR ANTES DE USARLO.

PASO 01 Encienda los quemadores y gire las perillas de ALTO a BAJO.

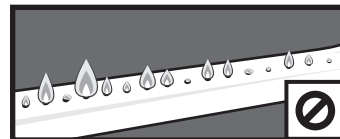
PASO 02 Mire debajo de la superficie de cocción para ver los quemadores. Cuando la perilla está en ALTO, las llamas deben ser más grandes que cuando la perilla está en BAJA.

PATRÓN DE LLAMA SALUDABLE



- 1 Parpadeos de color amarillo.
- 2 Color azul oscuro. 3 Azul vibrante.

AMARILLO O IRREGULAR



Si hay una caída repentina o un problema de llama baja, consulte el capítulo Solución de problemas.

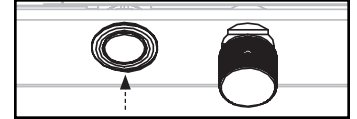
2. ENCENDIDO ELÉCTRICO

⚠ NO SE incline sobre el aparato mientras lo enciende.

Asegúrese de que el aparato esté enchufado.

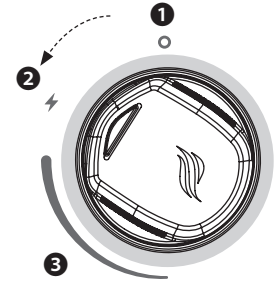
PASO 01 Pulse el botón de ENCENDIDO.

(Opcional: gire el atenuador hasta que haga clic para apagar las luces del charco).



PASO 02

- 1 Presione la perilla de control para que comience a fluir el gas. (BLANCO)
- 2 Gire la perilla de control en sentido antihorario para activar el motor de arranque. (AZUL PARPADEANTE)
- 3 Verifique la llama y ajuste la temperatura al nivel deseado. (NARANJA)



Nota: Si el imán de la perilla está desconectado, la luz indicadora será de color naranja. Si la flecha de la perilla mira hacia ARRIBA, el gas no fluye.

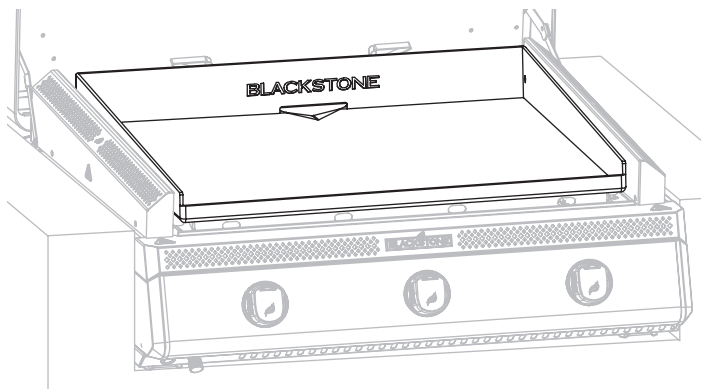
SI EL ENCENDIDO NO OCURRE EN 5 SEGUNDOS:

PASO 01 Apague la perilla de control del quemador.

PASO 02 Espera 5 minutos.

PASO 03 Repita el procedimiento de iluminación. Si el quemador NO SE enciende, consulte el capítulo Solución de problemas.

INSTRUCCIONES PARA SAZONAR LA PLANCHA



AVISO

No guarde ningún artículo a menos de 8 cm (3 pulgadas) de la parte superior de la plancha mientras esté en uso.

¿QUÉ ACEITE ES MEJOR USAR?

- Blackstone Seasoning and Cast Iron Conditioner.
- Cualquier aceite de cocina de origen vegetal.
- Grasa animal fundida sin aditivos.



LAVADO DE LA PARTE SUPERIOR DE LA PLANCHA ANTES DEL PRIMER USO

AVISO

El jabón arruinará una plancha experimentada. Esta es la única vez que debe usar jabón en la superficie de cocción de la plancha.

PASO 01 Lave la superficie de cocción de la plancha con agua caliente y jabón.

PASO 02 Enjuague y seque completamente.

⚠ ATENCIÓN

Deseche adecuadamente los trapos/toallas utilizados para esparcir el aceite sobre la plancha para evitar incendios que puedan ocurrir debido a la combustión espontánea.

En las condiciones adecuadas, el aceite residual en trapos o toallas puede oxidarse mucho después de haber sido retirado de una fuente de calor. El proceso de oxidación en sí produce calor que, si NO SE disipa, puede acumularse y causar que los trapos/toallas y el material circundante se enciendan.

CONDIMENTAR TU PLANCHA



VIDEOTUTORIAL

Cómo sazonar una nueva plancha Blackstone
 ▶ [youtube.com/watch?v=VspmDVnj2pl&t=3s](https://www.youtube.com/watch?v=VspmDVnj2pl&t=3s)

PASO 01 Limpie cualquier residuo de la parte superior de la plancha.



PASO 02 Configura tu plancha a fuego alto hasta que la parte superior de la plancha cambie de color. (~10 minutos)



PASO 03 Use pinzas para sostener una toalla de papel o un paño de algodón y extienda 2-3 cucharadas de su aceite de condimento en toda la parte superior de la plancha. Cuando sazone la parte superior de su plancha, recuerde usar una capa delgada y uniforme de aceite: cuanto más delgada sea la capa de aceite, más fácil será quemarla.



PASO 04 La parte superior de la plancha está lista para otra capa de aceite cuando deja de humear. Repita el PASO 03 3-4 veces, o hasta que la superficie de la plancha esté negra.



SOLUCIÓN DE PROBLEMAS DE CONDIMENTOS HAY UN RESIDUO MARRÓN EN LA SUPERFICIE DE LA PLANCHA:

POSIBLES CAUSAS

- Se usó demasiado aceite.
- Apagaste la calefacción demasiado pronto.

SOLUCIÓN

PASO 01 Encienda su plancha a temperatura alta y déjela calentar durante 10-15 minutos.

PASO 02 Raspe la mayor cantidad de aceite espesado y parcialmente cocido que pueda.

PASO 03 Vuelva a sazonar con una capa muy fina de aceite.

LOS BORDES DE LA SUPERFICIE DE LA PLANCHA NO SON NEGROS:

Después de usar su plancha para cocinar varias veces, el condimento se nivelará y mejorará.

PREVENCIÓN DEL ÓXIDO

Use su plancha con frecuencia. Cada vez que cocina, está agregando condimentos, lo que hace que la oxidación sea menos probable.

AVISO

Si vive en un clima húmedo o costero, su plancha puede requerir curaciones más frecuentes entre usos.

Si aparece óxido en la superficie de la plancha, frótelo con lana de acero, papel de lija de grano bajo o **Blackstone Pumice Stone** y vuelva a secar la superficie.



VIDEOTUTORIAL

Recuperación de la tapa de su plancha Blackstone
 ▶ [youtube.com/watch?v=thPE2IgnSil](https://www.youtube.com/watch?v=thPE2IgnSil)



COCINAR EN TU BLACKSTONE

⚠ ATENCIÓN

Este aparato estará caliente durante y después de su uso. Utilice utensilios de mango largo y guantes de cocina/guantes protectores cuando manipule piezas potencialmente calientes, incluidas las manijas cercanas al cuerpo del aparato, para protegerse contra quemaduras y salpicaduras.

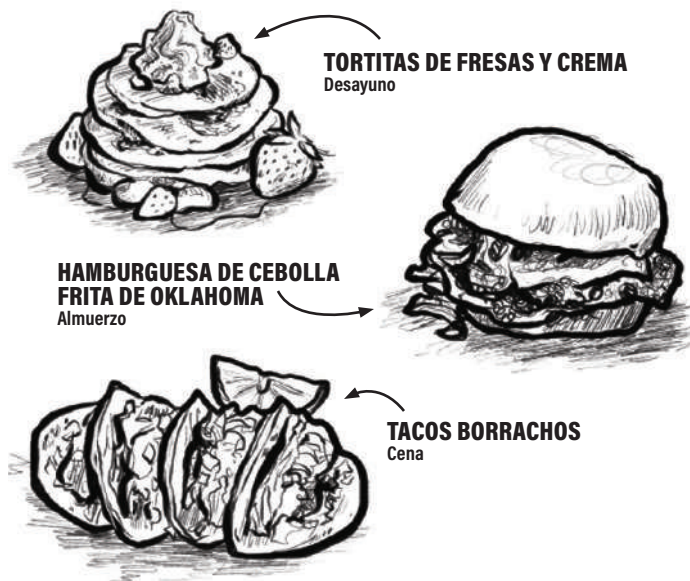
VÍDEO RECETAS

Encuentre recetas y consejos de cocina en:

BlackstoneProducts.com/recipes

youtube.com/BlackstoneGriddles

@blackstoneproducts



LIMPIEZA DE LA PARTE SUPERIOR DE SU PLANCHA

Limpie la parte superior de la plancha después de cada uso, mientras aún esté caliente.

• NO USE jabón en la parte superior de la plancha. Esto destruirá el condimento de la plancha.



VIDEOTUTORIAL

HCómo limpiar su plancha Blackstone

youtube.com/watch?v=-ledu9z6NPY

PASO 01 Empuje los restos de comida sueltos en el recipiente para la grasa con una espátula o un raspador de metal recto.



PASO 02 Limpie la parte superior de la plancha con una toalla de papel.



PASO 03 Aplique unas cuantas cucharadas de agua a la superficie de la plancha, luego raspe el agua y los residuos en el recipiente para la grasa. (Para los residuos de comida pegados, use un poco de sal gruesa).



PASO 04 Limpie nuevamente con una toalla de papel y seque completamente.



PASO 05 Aplique una fina capa de aceite de cocina para mantener la sazón y proteger la parte superior de la plancha.



VACÍA TU VASO DE GRASA

El recipiente para la grasa debe retirarse y vaciarse después de cada uso.

⚠ ATENCIÓN

La taza de grasa estará caliente durante y después del uso. NO RETIRE la taza de grasa hasta que la plancha se haya enfriado por completo.

CUIDADO Y MANTENIMIENTO

⚠️ ADVERTENCIA

La acumulación de grasa puede provocar un incendio. Limpie cualquier parte del aparato que se caliente y experimente acumulación de grasa después de cada uso.

⚠️ ATENCIÓN

Toda la limpieza y el mantenimiento deben llevarse a cabo cuando el aparato esté frío y todo esté APAGADO.

- NO USE una almohadilla abrasiva en áreas con gráficos.
- Si se usa un cepillo de cerdas para limpiar cualquiera de las superficies de cocción, asegúrese de que no queden cerdas sueltas en las superficies de cocción antes de cocinar.

CUERPO DEL APARATO:

Lave con agua jabonosa tibia y seque inmediatamente con un paño no abrasivo. (No permita que los agentes de limpieza descansen sobre ninguna superficie porosa durante un período de tiempo prolongado).

AVISO

NO UTILICE Citrisol, limpiadores abrasivos o un limpiador concentrado en el aparato. Esto puede resultar en daños y fallas en las piezas.

ALMACENAMIENTO DE ELECTRODOMÉSTICOS

⚠️ ADVERTENCIA

No mueva el aparato cuando esté en uso. Deje que el aparato se enfríe a 115°F (45°C) antes de moverlo o almacenarlo.

El almacenamiento de un electrodoméstico en el interior solo está permitido si el suministro de gas está desconectado y retirado del electrodoméstico.

GUÍA DE AJUSTE DE LA CUBIERTA

Siempre cubra su electrodoméstico cuando lo guarde al aire libre.



Para encontrar una cubierta que se ajuste a su electrodoméstico, visite BlackstoneProducts.com/support.

LIMPIEZA DEL CONJUNTO DEL QUEMADOR

Para reducir la posibilidad de "retroceso de llama", se debe seguir el procedimiento a continuación al menos una vez al mes cuando las arañas están más activas o cuando su electrodoméstico NO SE ha utilizado durante un período de tiempo.



VIDEOTUTORIAL

Cómo limpiar el tubo de su quemador
 ▶ youtube.com/watch?v=xKQTCrFCzf8

PASO 01 Asegúrese de que el gas esté CERRADO en las perillas de control y el suministro de gas. Retire la parte superior de la plancha.

PASO 02 Separe y retire con cuidado el quemador.



PASO 03 Limpiar el interior del quemador:

- Pase un cepillo para botellas (no un cepillo de alambre) o un alambre rígido doblado en un pequeño gancho a través de cada tubo del quemador varias veces.
- Use aire comprimido para soplar a través del tubo del quemador y sacar los puertos del quemador (Use protección para los ojos).



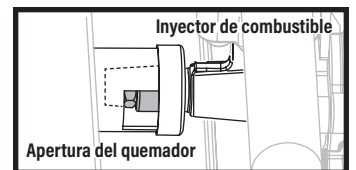
PASO 04 Cepille toda la superficie exterior del quemador para eliminar la suciedad.



PASO 05 Limpie los puertos bloqueados con un alambre rígido, como un sujetapapeles abierto.



PASO 06 Vuelva a colocar con cuidado los quemadores y vuelva a colocarlos, prestando atención a la ubicación de la aguja de encendido.



⚠️ La boquilla de combustible del riel de gas debe volver a conectarse dentro de la abertura del quemador.



SOLUCIÓN DE PROBLEMAS

SOLUCIÓN DE PROBLEMAS DE ENCENDIDO

EL QUEMADOR NO SE ENCIENDE:

Si NO SE enciende en 5 segundos:

PASO 01 Apague la perilla de control del quemador.

PASO 02 Espere 5 minutos.

PASO 03 Repita el procedimiento de encendido.

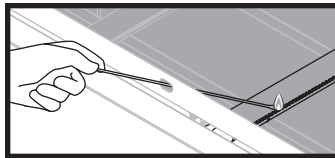
Si esto no funciona, para determinar la causa, intente encender su aparato con una cerilla.

INSTRUCCIONES PARA ENCENDER FÓSFOROS

Antes de comenzar, compruebe si hay fugas de gas. Abra el capó (si corresponde).

PASO 01 Gire la perilla de control a la posición APAGADO.

PASO 02 Encienda un fósforo (o un encendedor largo) de no menos de 11 pulgadas de largo.

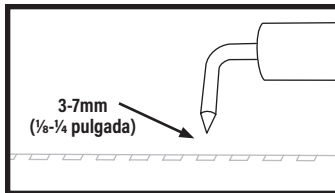


PASO 03 Coloque la llama en el lado derecho o izquierdo del quemador.

PASO 04 Presione y gire la perilla de control para que empiece a fluir el gas. Asegúrese de que el quemador se encienda y permanezca encendido.

SI PUEDE ENCENDER SU ELECTRODOMÉSTICO CON UN FÓSFORO:

POSIBLES CAUSAS	SOLUCIÓN
Cable de encendido desalineado.	Asegúrese de que la aguja del encendedor esté colocada a 3-7 mm (1/8-1/4 pulgada) del quemador y alineada con los orificios del quemador.



Daños en el sistema de encendido.	Póngase en contacto con el servicio de atención al cliente para obtener piezas de repuesto.
-----------------------------------	---

SI NO PUEDE ENCENDER SU APARATO CON UN FÓSFORO:

POSIBLES CAUSAS	SOLUCIÓN
Los tubos de los quemadores no reciben combustible.	Limpie el conjunto del quemador para eliminar la obstrucción.

SOLUCIÓN DE PROBLEMAS DE FLUJO DE GAS

EL APARATO NO ALCANZA UNA TEMPERATURA ALTA O CALIENTA DE MANERA DESIGUAL:

- Las llamas del quemador son amarillas o irregulares.
- Las llamas del quemador comienzan con fuerza, luego bajan inmediatamente a nivel bajo incluso cuando el quemador está en la posición alta.
- La altura de la llama desciende cuando se enciende un segundo quemador.
- Las llamas NO SE extienden por toda la longitud del quemador, o solo corren por un lado del quemador.
- Las llamas del quemador son inconsistentes.

POSIBLES CAUSAS	SOLUCIÓN
Obstrucciones en el quemador, chorros de gas o riel de combustible.	Limpie el quemador, los surtidores y la manguera de gas.

- Una llama sale de la puerta de aire:



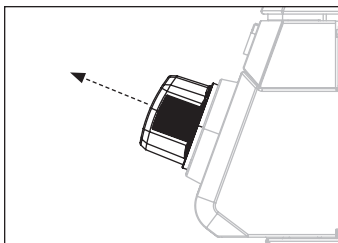
POSIBLES CAUSAS	SOLUCIÓN
Algo está bloqueando el venturi en el tubo del quemador.	Limpie el conjunto del quemador para eliminar la obstrucción.



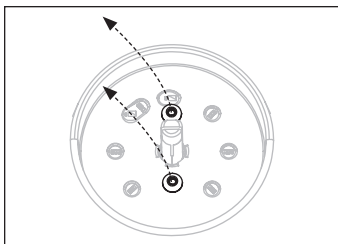
SUSTITUCIÓN DE LA PLACA DE CIRCUITO IMPRESO DE LA PERILLA

Si la perilla de control no funciona, es posible que deba reemplazar la PCB.

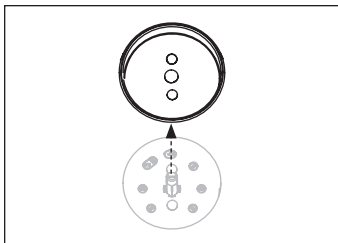
PASO 01 Saque la perilla de control que no funciona y déjela a un lado.



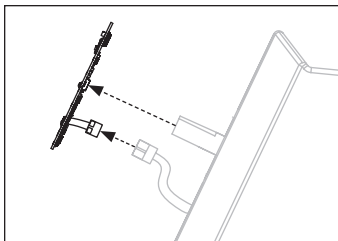
PASO 02 Use un destornillador de cabeza Philips para quitar los dos (2) tornillos M4x10 del bisel de la perilla y déjelos a un lado.



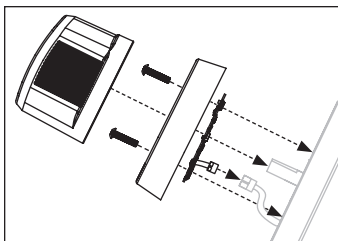
PASO 03 Retire el bisel de la perilla y déjelo a un lado.



PASO 04 Levante la PCB de la perilla y desconecte el cable de la parte posterior de la PCB de la perilla.



PASO 05 Enchufe el conector en la nueva PCB de la perilla. Invierta los pasos de ensamblaje anteriores para volver a instalar la perilla de control.





Esta página se dejó en blanco intencionalmente

Esta página se dejó en blanco intencionalmente



Esta página se dejó en blanco intencionalmente



Este producto puede estar cubierto por una o más patentes estadounidenses y/o internacionales emitidas y puede incluir solicitudes de patentes pendientes.
Para obtener más información, visite: BlackstoneProducts.com/patents