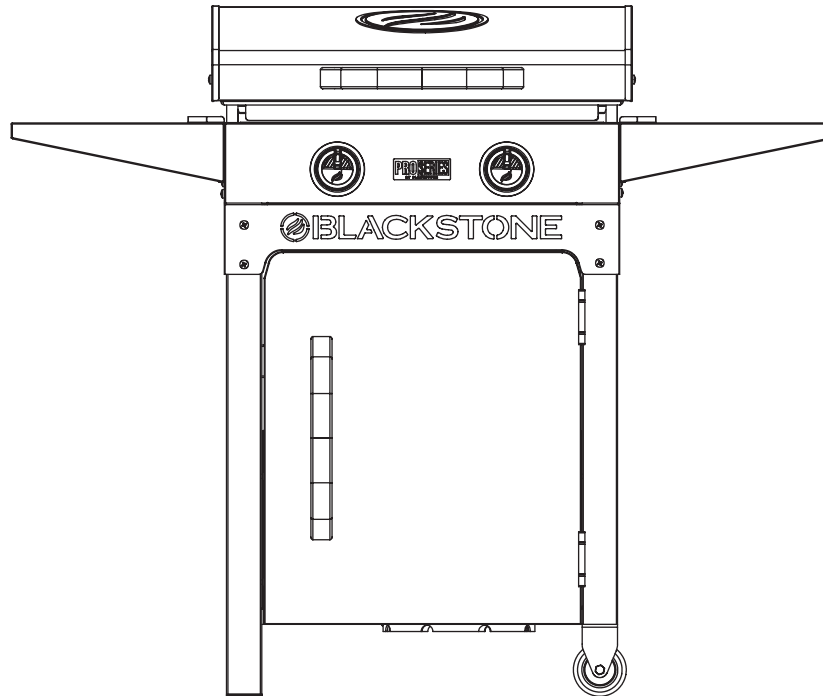


MODELS: 2358 - 2359 - 2360 v03



OWNER'S MANUAL

22" GRIDDLE WITH HOOD & CABINET

TABLE OF CONTENTS

IMPORTANT SAFETY INFORMATION	02
WARRANTY	03
ASSEMBLY GUIDE	04
USING YOUR BLACKSTONE	11
TROUBLESHOOTING	18



For the latest version of this manual, scan this code or visit BlackstoneProducts.com/support

IMPORTANT:

This instruction manual contains important information necessary for the proper assembly and safe use of the appliance.

Read and follow all warnings and instructions before assembling and using the appliance.

Follow all warnings and instructions when using the appliance.

Keep this manual for future reference.

Installer/Assembler: Leave these instructions with the consumer.

SAFETY ALERT KEY

⚠ DANGER

Indicates a hazardous situation that, if not avoided, will result in death or serious injury.

⚠ WARNING

Indicates a hazardous situation that, if not avoided, could result in death or serious injury.

⚠ CAUTION

Indicates a hazardous situation that, if not avoided, could result in minor or moderate injury.

NOTICE

Indicates information considered important, but not hazard-related (e.g. messages related to property damage).

IMPORTANT SAFETY INFORMATION

⚠ DANGER

If you smell gas:

- Shut off gas to the appliance.
- Extinguish any open flame.
- Open hood (if applicable).
- If odor continues, keep away from the appliance and immediately call your gas supplier or your fire department.

Failure to follow these instructions could result in fire or property damage, personal injury or death.

⚠ DANGER

- NEVER operate this appliance unattended.
- If a fire should occur, keep away from the appliance and immediately call your fire department. DO NOT attempt to extinguish an oil or a grease fire with water.
- NEVER operate this appliance within 25 ft (7.5 m) of any flammable liquid.

Failure to follow these instructions could result in fire or property damage, personal injury or death.

⚠ WARNING

- DO NOT store or use gasoline or other flammable liquids or vapors in the vicinity of this or any other appliance.
- An LPG cylinder not connected for use shall not be stored in the vicinity of this or any other appliance.

GAS APPLIANCE SAFETY

- The use of alcohol, prescription, or non-prescription drugs may impair the consumer's ability to properly assemble or safely operate the appliance.
 - Keep children and pets away from the appliance at all times.
 - Have a type BC or ABC fire extinguisher readily available.
- DO NOT USE FOR PURPOSES OTHER THAN INTENDED.**
- For outdoor domestic use only, not for commercial use.
 - DO NOT use this appliance as a heater.

⚠ WARNING

Improper installation, use, adjustment, alteration, service, modification, or maintenance can cause injury or property damage. Refer to this manual.

INSTALLATION MUST CONFORM WITH LOCAL CODES.

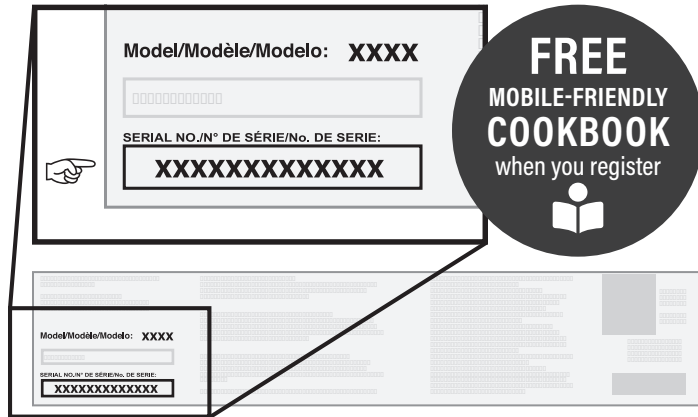
In the absence of local codes, installation must conform with either ANSI Z223.1/NFPA 54, CSA B149.1, or CSA B149.2.

WARRANTY

The North Atlantic Imports LLC 1-Year Warranty covers replacement parts up to one year after the date of purchase.

TO ENABLE THIS WARRANTY, YOU WILL NEED TO PROVIDE:

 Your appliance's Serial Number



The Serial Number can be found on your appliance's Manufacturer Label.
 (The Manufacturer Label is a large silver sticker found on the body of your appliance.)



Register your appliance at BlackstoneProducts.com/register

WARRANTY OVERVIEW

North Atlantic Imports, the manufacturer, will warranty for one year from purchase all parts, workmanship, and finishes. It will be the manufacturer's option as to whether to repair or replace any of the above items. All warranties are limited to the original purchaser only. This warranty does not cover any liability on the part of North Atlantic Imports, its agents or employees, for any indirect or consequential damages for breach of warranty. The purchaser must follow the manufacturer's usage instructions.

Under no circumstances is the manufacturer responsible for damages from the failure to operate the cooking station properly. It is the responsibility of the purchaser to establish the warranty period by verifying the original purchase date with original sales receipt.



DETAILED EXPLANATION OF THE WARRANTY

North Atlantic Imports LLC warrants to the owner that the product covered by this agreement is free from defects in material and workmanship under normal use and service for which it was intended if, but only if, it has been operated in accordance with North Atlantic Imports LLC instructions exclusively for domestic use, and not for private or public club, institutional or commercial purposes.

North Atlantic Imports LLC's obligation under this warranty is limited to replacing or repairing, free of charge, any part or parts that may prove, to the satisfaction of North Atlantic Imports LLC, to be defective under normal home use and service within the following stated periods of time from the date of purchase; for one year from purchase, all parts, finish, and workmanship. Should any failure to conform to this warranty become apparent during applicable warranty periods stated above, the original purchaser must notify North Atlantic Imports LLC of breach of warranty within the applicable warranty period.

North Atlantic Imports LLC shall upon notice and compliance by the original purchaser with such instructions, correct such nonconformity by repair or replacement of the defective part or parts.

Correction in the manner provided above shall constitute a fulfillment of all obligations of North Atlantic Imports LLC with respect to the quality of the product.

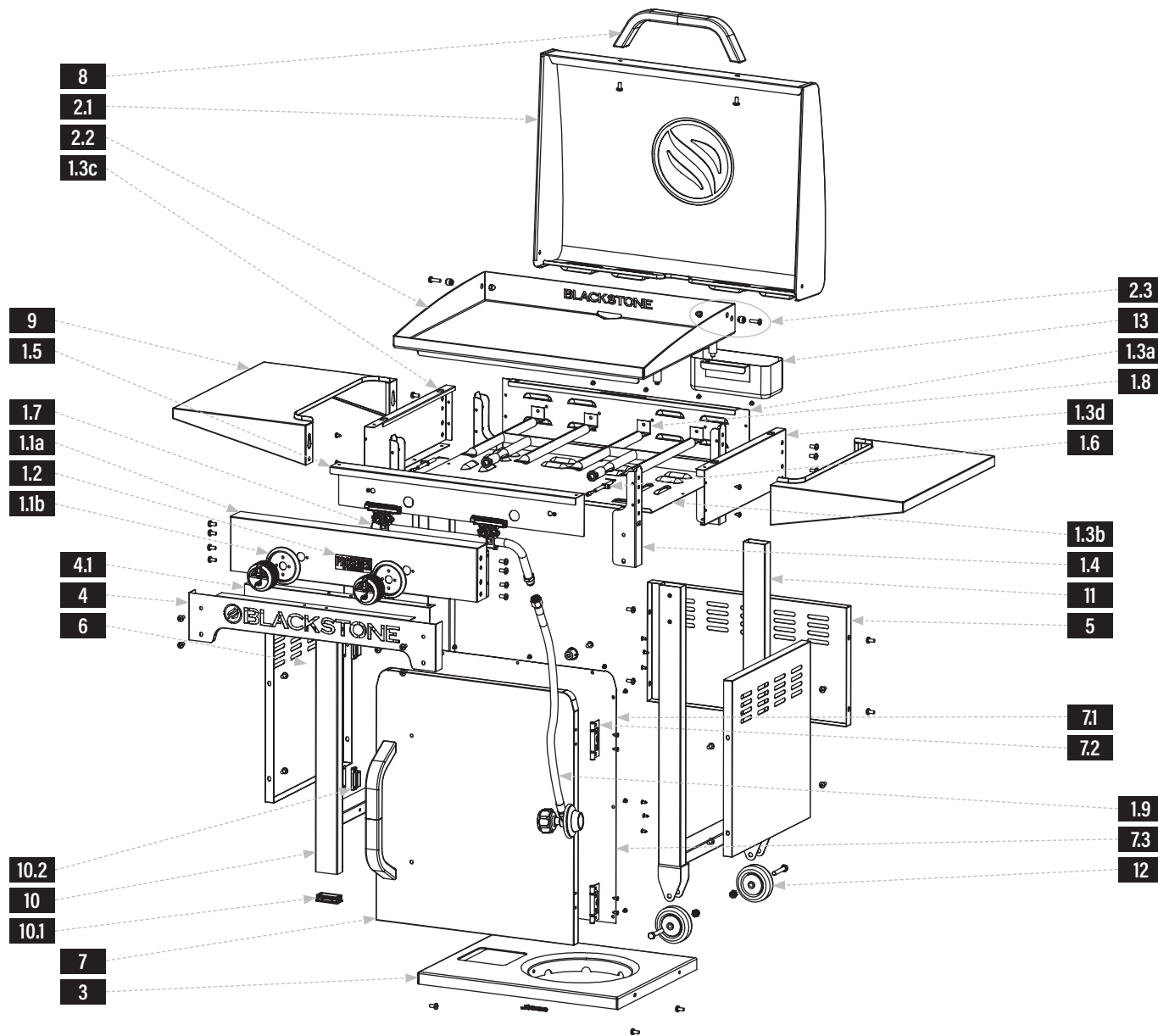
North Atlantic Imports LLC does not warrant this equipment to meet the requirement of any safety code of any state, municipality or other jurisdiction, and the original purchaser assumes all risk and liability whatsoever resulting from the use thereof, whether used in accordance with North Atlantic Imports LLC instructions or otherwise.

This warranty does not cover and is intended to exclude any liability on the part of North Atlantic its agents, servants or employees whether under this warranty or implied by law for any indirect or consequential damages for breach on any warranty. The purchaser must establish all applicable warranty periods pursuant to this warranty by verifying the original purchase date by producing the dated sales receipt. This warranty shall not apply to this product or any other part thereof which has been subject to accident, negligence, alteration, abuse, or misuse or which has been repaired or altered without North Atlantic written consent, outside of North Atlantic Imports LLC factory. The full manufacturer warranty is not valid for griddles purchased from unlicensed, third-party resellers, purchased at a discount due to missing or damaged parts, or purchased as a floor model; at the discretion of North Atlantic Imports.

North Atlantic Imports LLC makes no warranty whatsoever in respect to accessories or parts not supplied with it. This warranty shall apply only within the boundaries of the United States of America and Canada. This warranty gives the original purchaser specific rights, and the original purchaser may also have other rights, which vary from state to state.

ASSEMBLY GUIDE

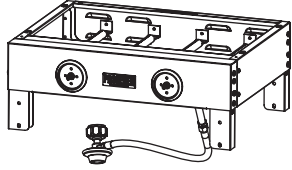
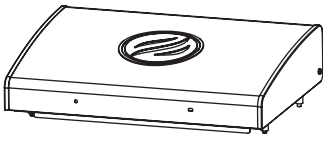
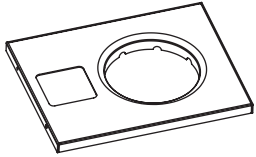

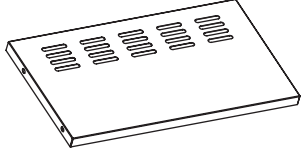
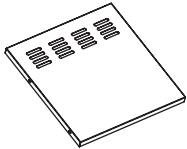
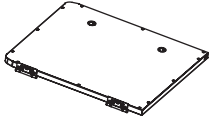
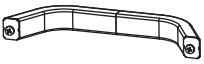
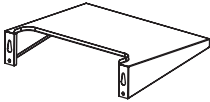
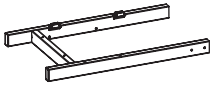
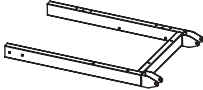
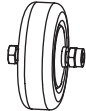
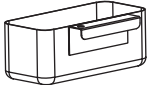
EXPLODED VIEW



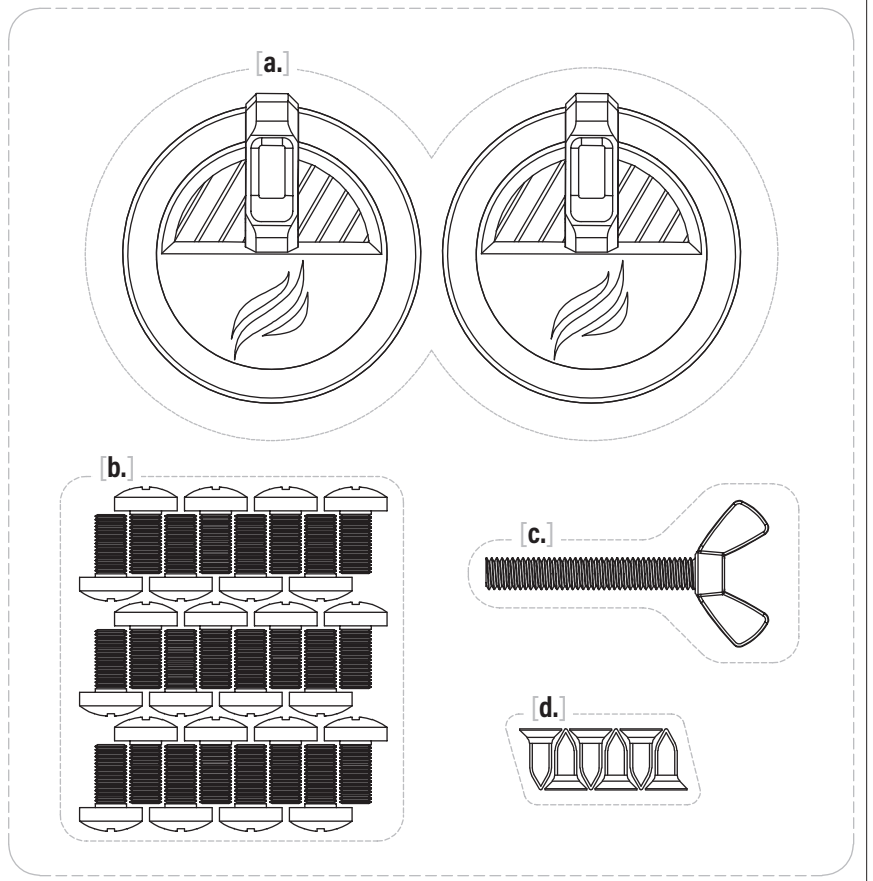
PARTS LIST

PARTS	QTY	PARTS	QTY	PARTS	QTY	PARTS	QTY
1.1a Control panel	1	1.3d Right side panel	1	1.8 H burners	2	4.1 Background panel	1
1.1b Control knob bezels	2	1.4 U Reinforcement plates	4	1.9 Regulator	1	7.1 Handle caps	2
1.2 Logo badge	1	1.5 Baffle panel	1	2.1 Hood	1	7.2 Door hinges	2
1.3a Rear panel	1	1.6 Ignition needles	2	2.2 Griddle top	1	7.3 Door panel lining	1
1.3b Bottom panel	1	1.7 Gas rail	1	2.3 Hood hinge assembly	2	10.1 Leg caps	2
1.3c Left side panel	1					10.2 Magnets	2



<p>1 Body (1 piece)</p> 	<p>2 Griddle top & Hood (1 piece)</p> 	<p>3 Cart base (1 piece)</p> 			
<p>4 Front logo panel (1 piece)</p> 	<p>5 Rear panel (1 piece)</p> 	<p>6 Side panels (2 pieces)</p> 	<p>7 Door assembly (1 piece)</p> 		
<p>8 Handles (2 pieces)</p> 	<p>9 Side shelves (2 pieces)</p> 	<p>10 Left leg assembly (1 piece)</p> 	<p>11 Right leg assembly (1 piece)</p> 	<p>12 Wheels (2 pieces)</p> 	<p>13 Grease cup (1 piece)</p> 

- 14** Hardware pack (1 piece)
- a. Control knobs (2 pieces)
 - b. M6x12 bolts (24 pieces)
 - c. Wing screw (1 piece)
 - d. Self-tapping screws (6 pieces)



ASSEMBLY INSTRUCTIONS

Find a large, clean area to assemble your appliance.

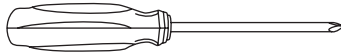
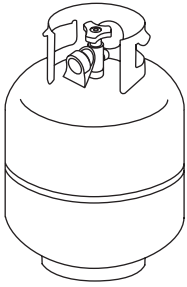
Remove all packing material before assembling.

⚠ CAUTION

Sharp edges. Wear gloves while assembling.

⚠ CAUTION

Heavy pieces. Two people should assemble this appliance.



NOT INCLUDED:

LPG cylinder

Size: 18 x 12 in (45 x 30 cm), 20 lb (9 kg)

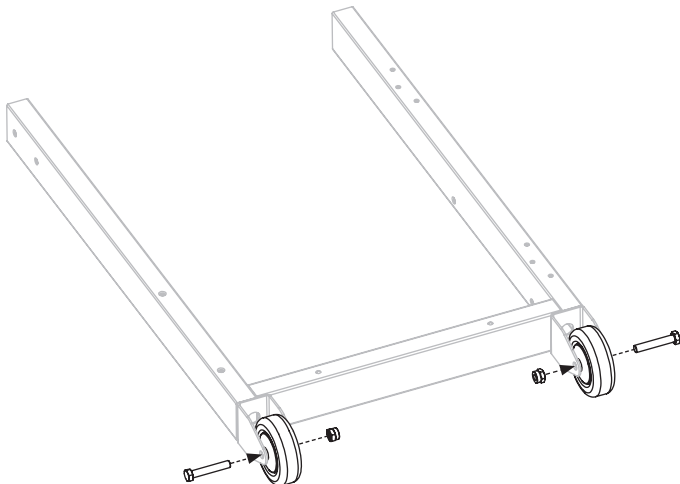
LPG cylinder must include collar to protect LPG cylinder valve.

TOOL NEEDED:

#3 Phillips head screwdriver

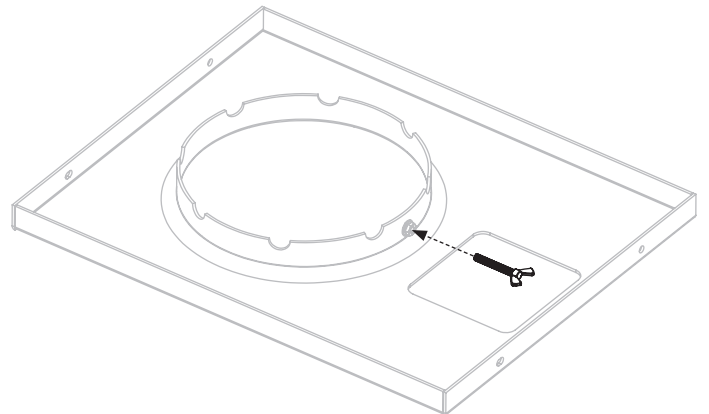
STEP 01 Remove the right leg assembly from the packaging and lay it on a smooth, flat surface.

Use the pre-installed bolts and nuts on the wheels to install the wheels to the bottom of the right leg assembly.



STEP 02 Remove the cart base from the packaging and lay it upside down on a smooth, flat surface.

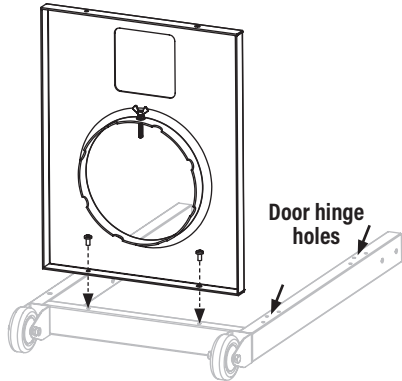
Thread the wing screw [c.] into the propane cradle.



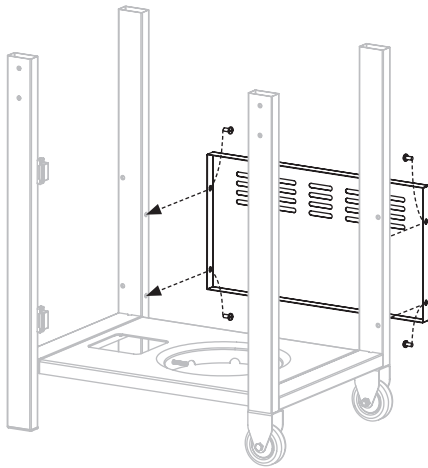


STEP 03 With the help of another person, use two (2) M6x12 bolts [b.] to attach the right side of the cart base to the right leg assembly. (Note: loosely install both screws then tighten.)

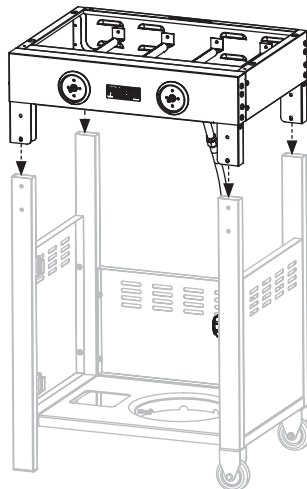
Ensure that the door hinge holes are oriented to the inside of the cart.



STEP 05 With the help of another person, set the cart on its feet. Use four (4) M6x12 bolts [b.] to loosely attach the rear panel to the left and right leg assemblies. DO NOT fully tighten the bolts at this time.

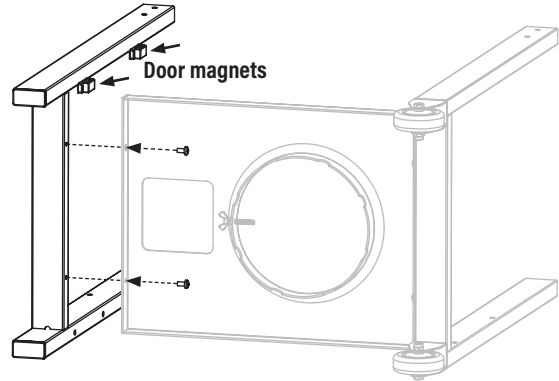


STEP 07 With the help of another person, place the griddle body on the cart.

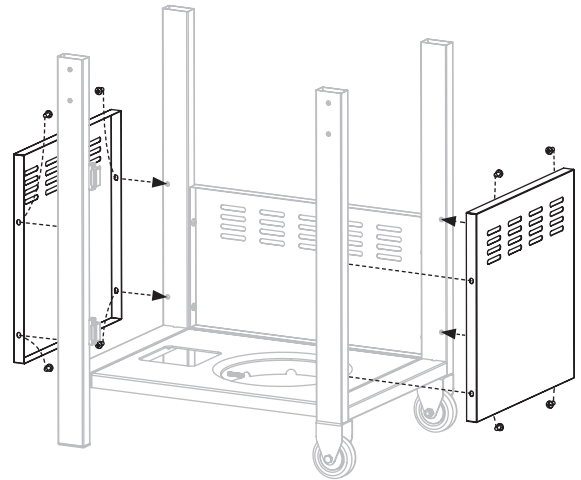


STEP 04 With the help of another person, use two (2) M6x12 bolts [b.] to attach the left leg assembly to the left side of the cart base. (Note: loosely install both screws then tighten.)

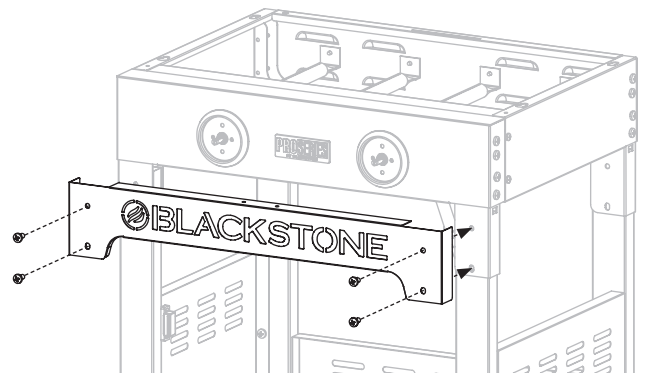
Ensure that the door magnets are oriented to the inside of the cart.



STEP 06 Use eight (8) M6x12 bolts [b.] to attach the two (2) side panels to the left and right leg assemblies. DO NOT fully tighten the bolts at this time.

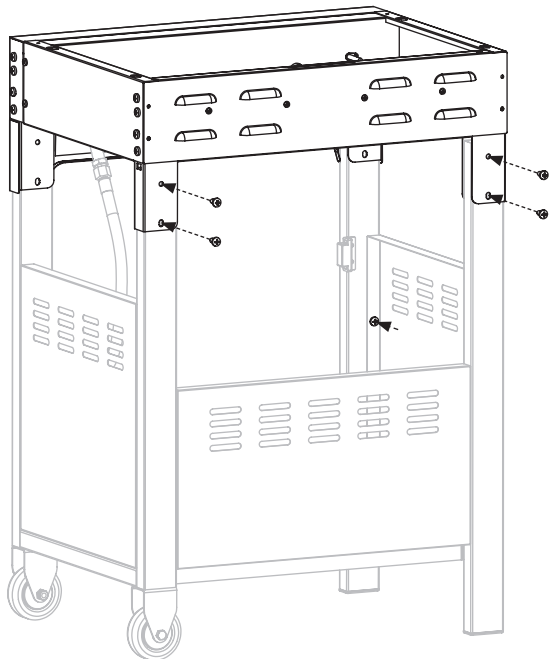


STEP 08 Use four (4) M6x12 bolts [b.] to attach the front logo panel to the front of the griddle body. (Note: loosely install all bolts then tighten.)

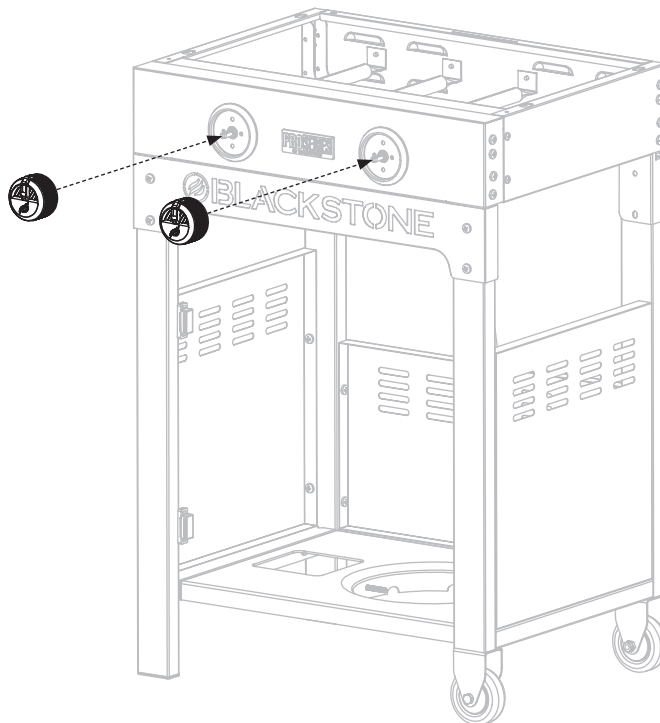


STEP 09 Use four (4) M6x12 bolts [b.] to secure the griddle body to the left and right leg assemblies. (**Note:** loosely install all screws then tighten.)

Ensure the griddle legs are standing level on ground and tighten the twelve (12) M6x12 bolts on the rear and side panels.

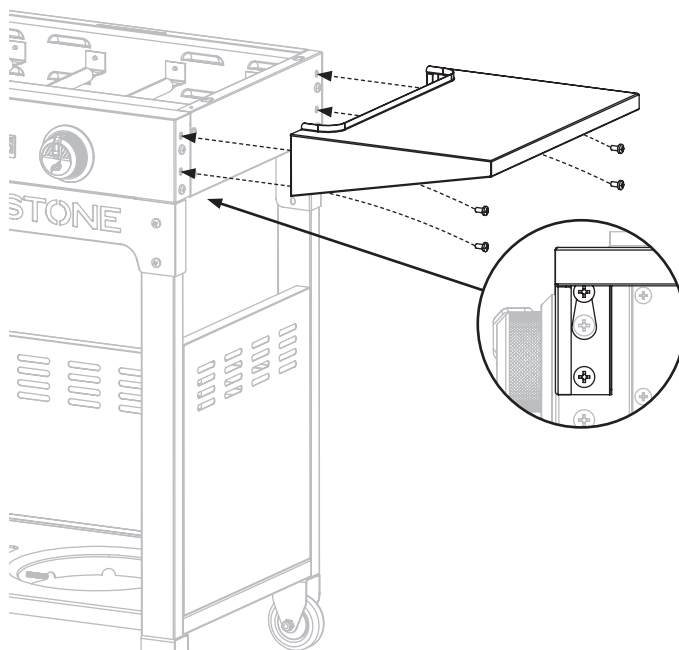
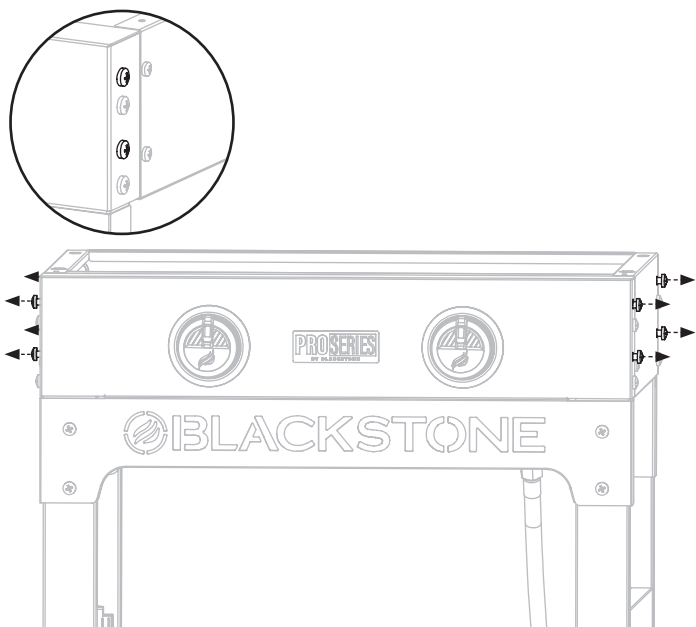


STEP 10 Install the two (2) control knobs [a.] by pushing them into place in the OFF position.



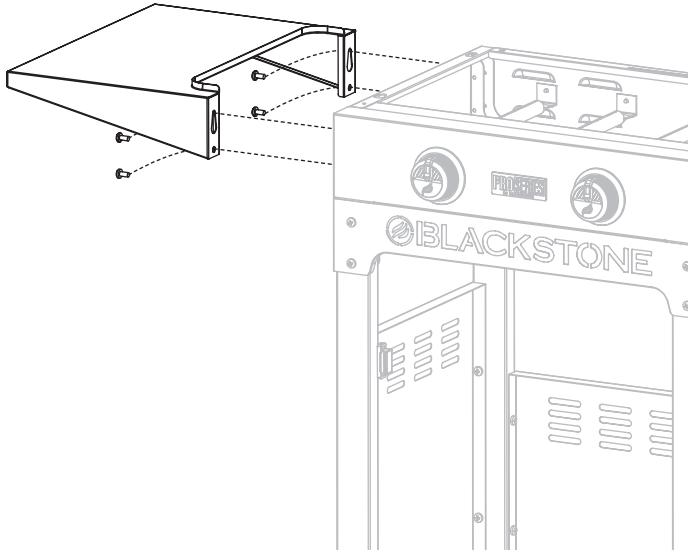
STEP 11 Remove the top, and second-from-the-bottom eight (8) M6x12 bolts on either side of the griddle body.

STEP 12 Use four (4) of the removed M6x12 bolts to secure one (1) side shelf to the right side of the griddle body.





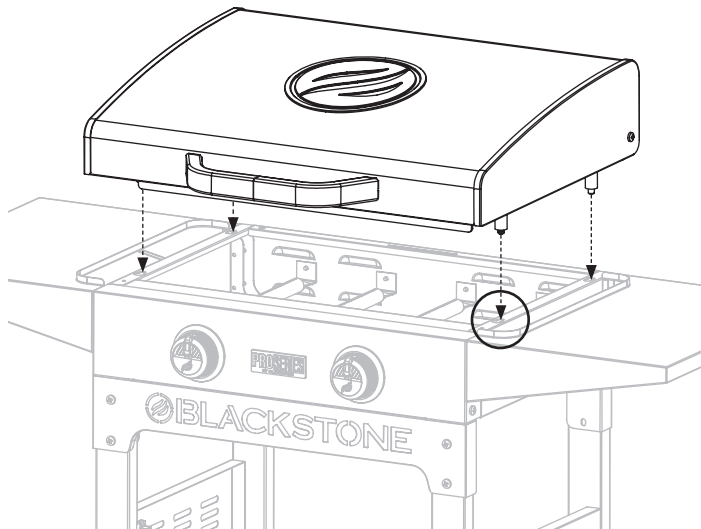
STEP 13 Use four (4) of the removed M6x12 bolts to secure one (1) side shelf to the left side of the griddle body.



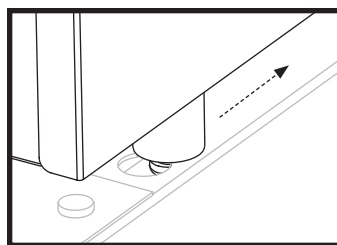
STEP 14 Use the two (2) M6x12 bolts pre-installed in one (1) handle to install that handle to the front of the hood.



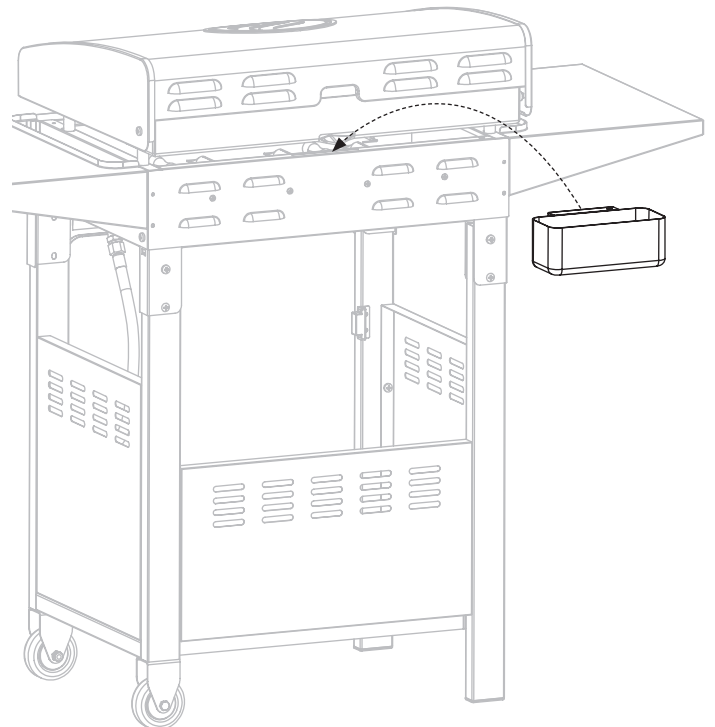
STEP 15 With the help of another person, place the griddle top and hood onto the griddle body by aligning the four pins to the holes on top of the appliance.



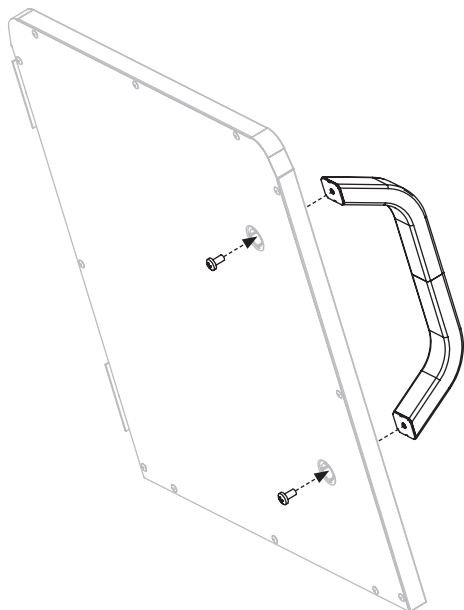
Make sure the front pins are seated in the holes, then push the griddle top back.



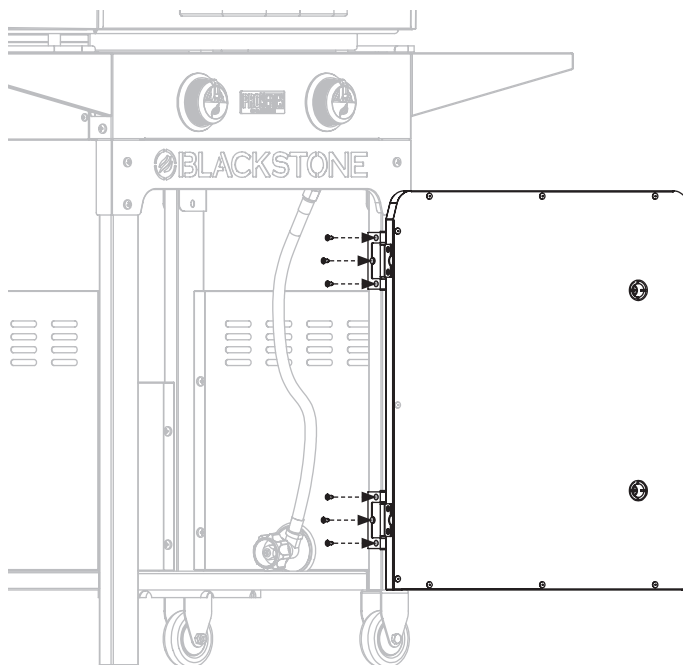
STEP 16 Hang the grease cup in the slot on the back of the griddle body.



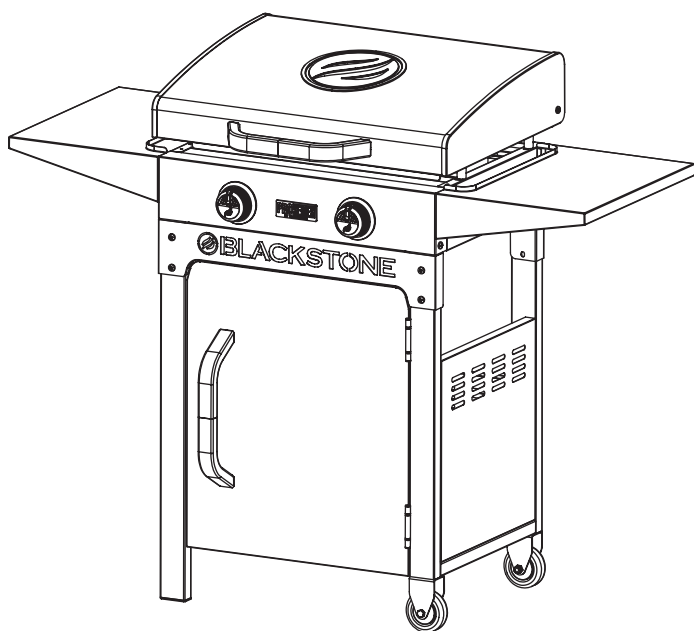
STEP 17 Use the two (2) M6x12 bolts pre-installed in one (1) handle to install that handle to the door assembly.



STEP 18 Use six (6) self-tapping screws [d.] to attach the door assembly hinges to the right leg assembly.



STEP 19 Proceed to **USING YOUR BLACKSTONE.**



NOTICE

DO NOT leave the hood closed for more than 10 minutes while cooking.

NOTICE

- Maximum weight on the side shelf is 10 lbs (4.5 kg).
- The side shelf may get hot while appliance is in use.



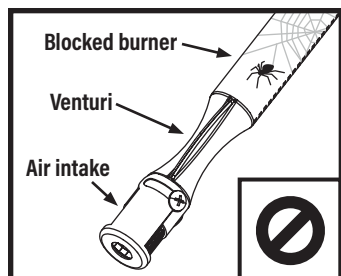
USING YOUR BLACKSTONE

BEFORE COOKING

CHECK BURNERS

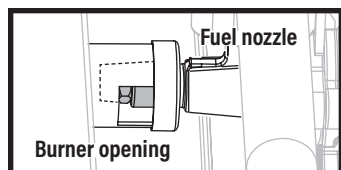
Prior to connection and use, ensure that there is no debris caught in, or damage to, the head of the gas cylinder, regulator, hose, burner and burner ports.

Spiders and insects can nest within and clog the burner/venturi tube at the orifice.



⚠ WARNING

A clogged burner can lead to a fire beneath the appliance.
Burner should be removed and cleaned whenever blockages are found.



⚠ Ensure that the gas rail fuel nozzle orifice is correctly engaged within the burner opening.

THE MINIMUM AMBIENT OPERATING TEMPERATURE IS 0°F (-18°C).

⚠ DANGER

Flammable items can combust if placed near the appliance. Keep the appliance area clear and free from combustible materials, aerosol containers, gasoline and other flammable vapors and liquids.

⚠ CAUTION

If the appliance is fitted with a paper towel holder, the arm must be in the open position while the appliance is in use.

IF GREASE OR OTHER HOT MATERIAL DRIPS ONTO VALVE, HOSE OR REGULATOR:

STEP 01 Turn off gas supply immediately.

STEP 02 Determine the cause and correct it.

STEP 03 Clean and inspect valve, hose and regulator.

STEP 04 Perform a leak test. (Please reference the Leak Test Instructions)

SETTING UP YOUR OUTDOOR SPACE

THIS APPLIANCE MUST ONLY BE USED OUTDOORS.

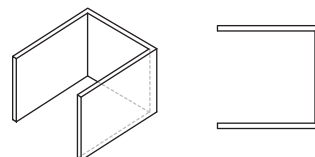
- DO NOT use this appliance inside buildings, garages, or any other enclosed area.
- DO NOT install this appliance in or on a boat.
- DO NOT install this appliance in or on a recreational vehicle.

SHELTERED OUTDOOR AREAS:

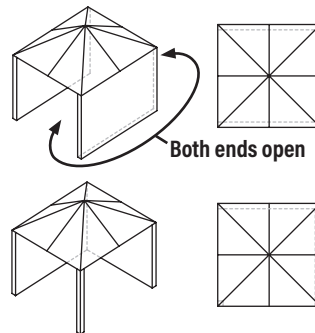
All openings must be permanently open; sliding doors, garage doors, windows or screened openings are not considered as permanent openings.

An appliance is considered to be outdoors if installed with shelter no more inclusive than:

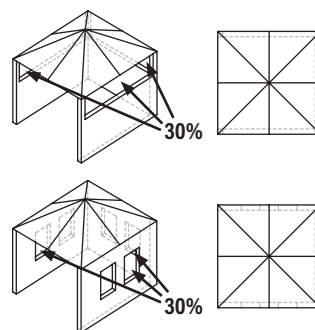
a. With walls on three sides, but with no overhead cover.



b. Within a partial enclosure that includes an overhead cover and no more than two side-walls. The sidewalls may be parallel, as in a breezeway, or at right angles to each other.

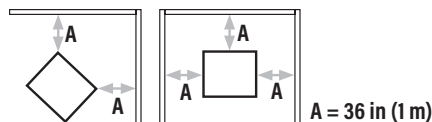


c. Within a partial enclosure that includes an overhead cover and three sidewalls, as long as 30% or more of the horizontal periphery of the enclosure is permanently open.



MAINTAIN PROPER CLEARANCES FROM COMBUSTIBLE MATERIAL.

- DO NOT use this appliance on or under any apartment or condominium balcony or deck.
- DO NOT obstruct the flow of combustion and ventilation air.
- DO NOT operate this appliance any closer than 36 in (1 m) from the sides and back of the appliance to combustible construction.



- DO NOT use this appliance under overhead combustible construction.

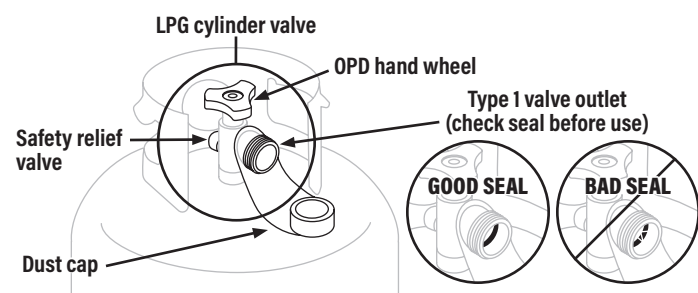
LPG CYLINDER REQUIREMENTS

FOR 20 LB (9 KG CYLINDERS)

- The LPG supply cylinder to be used must be constructed and marked in accordance with the specifications for LP gas cylinders, U.S. Department of Transportation (DOT) or the Standard for Cylinders, Spheres and Tubes for the Transportation of Dangerous Goods, CAN/CSA-B339.
- Only LPG cylinders marked "propane" shall be used.
- The LPG cylinder supply system must be arranged for vapor withdrawal.
 - Always keep new LPG cylinders in upright position during use, transit or storage.
 - Always keep the ventilation opening(s) of the cylinder enclosure free and clear from debris.

THE LPG CYLINDER VALVE MUST HAVE:

- Type 1 valve outlet (thread on the outside).
- Safety relief valve.
- UL listed Overfill Protection Device (OPD). This OPD safety feature is identified by a unique triangular hand wheel.
- Dust cap.



The seal on the type 1 valve outlet could, over time, show marked and visible damage or deterioration that might cause a leak even with the connection tightened.

- A visual inspection for the seal must be carried out every time a LPG cylinder is replaced or refilled.
- Any LPG cylinder showing signs of damage or deterioration as those illustrated including visible cracks and pitting, must be returned unused to the seller.

STORING LPG CYLINDERS

⚠ WARNING

- DO NOT store a spare LPG cylinder under, near, or in this appliance.
- DO NOT fill an LPG cylinder beyond 80% full.

If the information above is not followed exactly, a fire causing death or serious injury may occur.

- The LPG cylinder must be turned OFF when the appliance is not in use.
- LPG cylinders must be stored outdoors and out of the reach of children.
- DO NOT store an LPG cylinder inside a building, garage, or any other enclosed area.

FILLING & EXCHANGE

- Use only those reputable exchange companies that inspect, precision fill, test and certify their cylinders. LPG dealer must purge new cylinder before filling.
- Volume of propane in cylinder will vary by temperature.

⚠ WARNING

A frosty regulator indicates gas overfill. Immediately close LPG cylinder valve and call local LPG dealer for assistance.

- DO NOT release liquid petroleum gas (LPG) into the atmosphere.
- To remove gas from LPG cylinder, contact a certified LPG dealer or local fire department for assistance.
- Exchange cylinder only for an OPD safety feature-equipped cylinder.

Your retailer can help you match a replacement LPG cylinder to your appliance.

LEAK TEST INSTRUCTIONS

- Leak test new and exchanged LPG cylinders BEFORE connecting to griddle.
- DO NOT smoke during leak test.
- DO NOT use an open flame to check for gas leaks.
- Appliance must be leak tested outdoors in a well-ventilated area, away from ignition sources such as gas fired or electrical appliances.
- During leak test, keep appliance away from open flames or sparks.

LEAK TEST: LPG CYLINDER

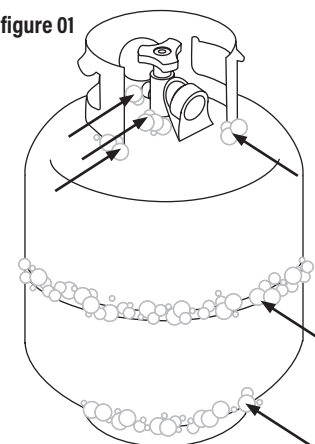
STEP 01 Use a clean paintbrush to brush a 1% mild soap and water solution onto joint areas of the LPG cylinder. (Indicated by arrows in figure 01.)

- Leaks are indicated by growing bubbles.

⚠ WARNING

If growing bubbles appear during leak test, DO NOT use or move the LPG cylinder. Immediately contact an LPG supplier or fire department.

figure 01



FITTINGS & HOSES

- Annual checking and tightening of metal fittings is recommended.
 - Keep the fuel supply hose away from any heated surfaces.
 - Before each use, check to see if hoses are cut or worn.
 - Replace damaged hose before using appliance.
- (Use only Blackstone approved valve, hose, or regulator. Failure to comply will void the warranty.)



REGULATOR SAFETY

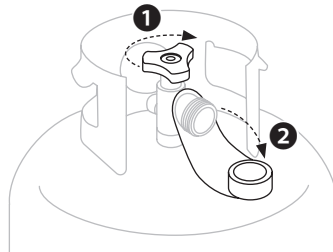
- Use this appliance, as purchased, only with gas and regulator/valve assembly supplied. DO NOT use quick connect fittings or other add-ons.
- DO NOT cross thread (force at an improper angle) the connection between your LPG cylinder and regulator.
- If you can not connect the regulator, DO NOT use the regulator.

Regulator must be replaced with a Blackstone approved model by a professionally licensed, authorized dealer.

CONNECT THE LPG CYLINDER ONLY USE A 20 LB (9 KG) CYLINDER

STEP 01 Turn the control knobs to OFF.

- 1 Ensure that the LPG cylinder is OFF by turning the OPD hand wheel clockwise to a full stop.
- 2 Remove the safety cap from the Type 1 valve outlet.

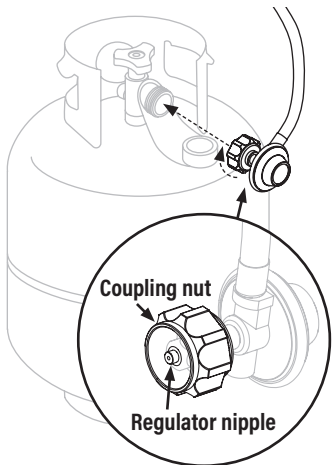


STEP 02 Hold the regulator in a straight line with the Type 1 valve outlet so as not to cross thread the connection.

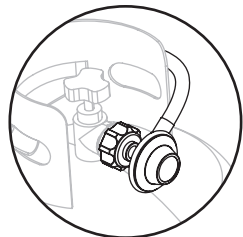
Center and insert the regulator nipple into the Type 1 valve outlet.

Hand-tighten the coupling nut in a clockwise direction.

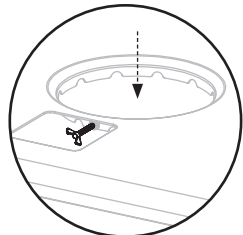
(DO NOT use tools to connect.)
If connection cannot be completed, disconnect regulator and repeat this step.



STEP 03 Set the LPG cylinder on the cart base. Tighten the cart base wing screw to secure it to the appliance.



The safety relief valve must face away from the user while the appliance is in use.



LEAK TEST: VALVES, HOSE & REGULATOR

STEP 01 Turn the control knobs to OFF.

STEP 02 Connect the regulator to the LPG cylinder.

STEP 03 Completely open the LPG tank by turning the OPD hand wheel counterclockwise.

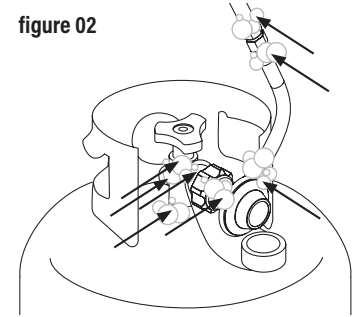
- If you hear a rushing sound, turn gas off immediately. There is a major leak at the connection.
- Immediately close the LPG cylinder by turning the OPD hand wheel clockwise and re-tighten connections. If leaks cannot be stopped DO NOT TRY TO REPAIR.

STEP 04 Use a clean paintbrush to brush a 10% mild soap and water solution onto joint areas of valves and regulator.

(Indicated by arrows in figure 02.)

- Leaks are indicated by growing bubbles.
- Immediately close the LPG cylinder by turning the OPD hand wheel clockwise and re-tighten connections.

figure 02



⚠ WARNING

If leaks cannot be stopped, DO NOT try to repair.

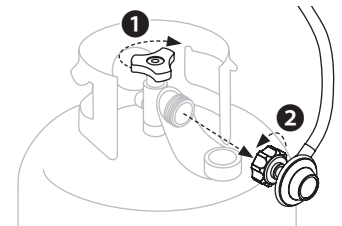
Regulator must be replaced with a Blackstone approved model by a professionally licensed, authorized dealer.

DISCONNECTING THE LPG CYLINDER

STEP 01 Ensure that the control knobs are turned to OFF.

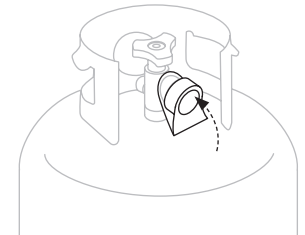
1 Ensure that the LPG cylinder is OFF by turning the OPD hand wheel clockwise to a full stop.

2 Turn the coupling nut counterclockwise by hand to remove the regulator. (DO NOT use tools to disconnect.)



STEP 02 Place dust cap on LPG cylinder valve outlet whenever cylinder is not in use.

Only install the type of dust cap on cylinder valve outlet that is provided with the cylinder valve. Other types of caps or plugs may result in leakage of propane.



IGNITION INSTRUCTIONS

1. CHECK VALVES

STEP 01 Turn knob to OFF position.

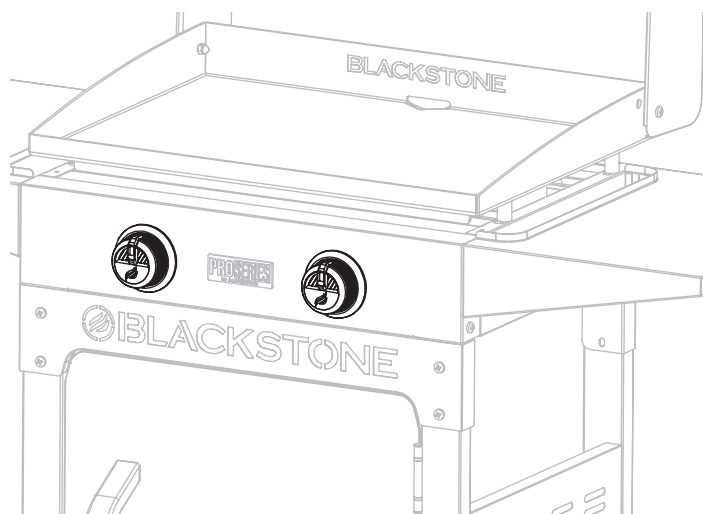
STEP 02 Push in knob and release. Knob should spring back. If knobs DO NOT spring back, replace valve assembly before using appliance.

STEP 03 Rotate knob to LOW then turn back to OFF. Knob should turn smoothly.

⚠ WARNING

If burner does not ignite with open gas supply valve, gas will continue to flow out of burner and could accidentally/inadvertently ignite with risk of injury.

Ensure gas is off at the supply shut off valve before checking appliance valves.

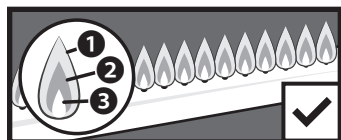


3. ALWAYS CHECK BURNER FLAME BEFORE USE.

STEP 01 Light burners and rotate knobs from HIGH to LOW.

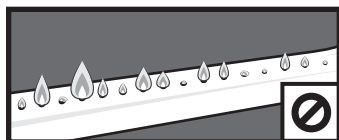
STEP 02 Look below the cooking surface to view burners. When knob is at HIGH, flames should be larger than when knob is at LOW.

HEALTHY FLAME PATTERN



- 1 Flickers of yellow color.
- 2 Dark blue color.
- 3 Vibrant blue.

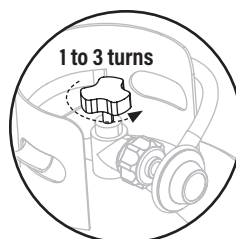
YELLOW OR IRREGULAR



If there is a sudden drop or low flame issue, please reference the Troubleshooting chapter.

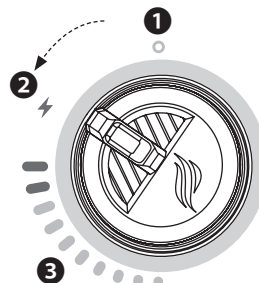
2. PIEZO-ELECTRIC GRIDDLE IGNITION

⚠ DO NOT lean over the appliance while lighting.



STEP 01

Turn gas ON by turning the gas cylinder handwheel counter-clockwise 1 to 3 turns.



STEP 02

- 1 Push the control knob in to start gas flowing.
- 2 Turn the control knob counter-clockwise to activate the starter.
- 3 Adjust the temperature to desired level.

IF IGNITION DOES NOT OCCUR IN 5 SECONDS:

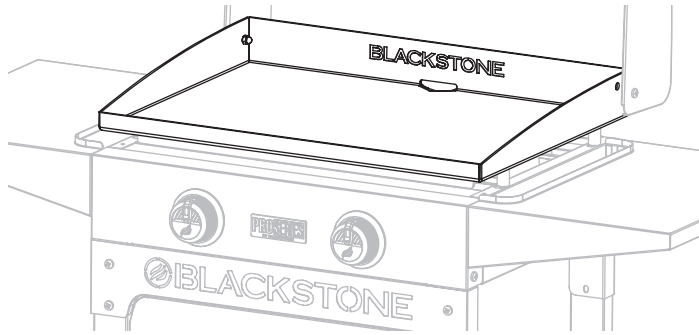
STEP 01 Turn the burner control knob OFF.

STEP 02 Wait 5 minutes.

STEP 03 Repeat the lighting procedure.

If burner does not ignite, please reference the Troubleshooting chapter.

GRIDDLE SEASONING INSTRUCTIONS



WASHING YOUR GRIDDLE TOP BEFORE FIRST USE

NOTICE
Soap will ruin a seasoned griddle. This is the only time you should use soap on the griddle cooking surface.

STEP 01 Wash the griddle cooking surface with hot, soapy water.

STEP 02 Rinse and dry completely.

SEASONING YOUR GRIDDLE



VIDEO TUTORIAL

How to Season a New Blackstone Griddle
[youtube.com/watch?v=VspmDVnj2pl&t=3s](https://www.youtube.com/watch?v=VspmDVnj2pl&t=3s)

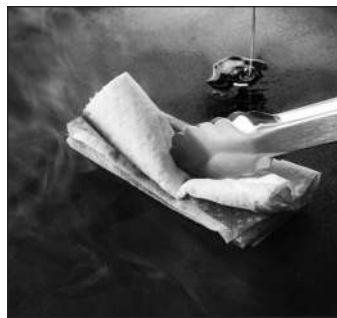
STEP 01 Wipe any debris off griddle top.



STEP 02 Set your griddle to high heat until your griddle top changes color. (~10 min)



STEP 03 Use tongs to hold a paper towel or cotton cloth and spread 2-3 tablespoons of your seasoning oil across the entire griddle top.
 When seasoning your griddle top, remember to use a thin and even layer of oil—the thinner the layer of oil, the easier it will be to burn it off.



STEP 04 The griddle top is ready for another layer of oil when it stops smoking. Repeat **STEP 03** 3-4 times, or until the griddle surface is black.



NOTICE

DO NOT store any items within 3 in (8 cm) of the griddle top while in use.

WHAT OIL IS BEST TO USE?

- Blackstone Seasoning and Cast Iron Conditioner.
- Any plant-based cooking oil.
- Rendered animal fat with no additives.



CAUTION

Properly dispose of the rags/towels used to spread oil on your griddle top to prevent fires that might occur due to spontaneous combustion.

Under the right conditions, residual oil on rags or towels can oxidize long after being removed from a heat source. The oxidation process itself produces heat which, if not dissipated, can build up and may cause the rags/towels and surrounding material to ignite.

SEASONING TROUBLESHOOTING

THERE IS A BROWNISH RESIDUE ON THE GRIDDLE SURFACE:

POSSIBLE CAUSES

- Too much oil was used.
- You turned off the heat too soon.

SOLUTION

- STEP 01** Turn your griddle on high and let it heat for 10-15 minutes.
- STEP 02** Scrape off as much of the thickened and partially cooked oil as you can.
- STEP 03** Re-season with a very thin layer of oil.

THE EDGES OF THE GRIDDLE SURFACE ARE NOT BLACK:

After using your griddle for multiple cooks, the seasoning will even out and improve.

PREVENTING RUST

Use your griddle frequently. Every time you cook, you are adding to the seasoning, which makes rust less likely.

NOTICE

If you live in a humid or coastal climate, your griddle may require more frequent seasonings between uses.

If rust appears on the griddle surface, rub it off with steel wool, low grit sandpaper or the **Blackstone Pumice Stone** and re-season the surface.



VIDEO TUTORIAL

Recovering your Blackstone Griddle Top
[youtube.com/watch?v=thPE2lgnSil](https://www.youtube.com/watch?v=thPE2lgnSil)

COOKING ON YOUR BLACKSTONE

⚠ CAUTION

This appliance will be hot during and after use. Use long-handled utensils and oven mitts/ protective gloves when handling potentially hot parts to protect against burns and splatters.

VIDEO RECIPES

Find recipes and cooking tips at:

🌐 BlackstoneProducts.com/recipes

📺 youtube.com/BlackstoneGriddles

📱 [@blackstoneproducts](https://www.instagram.com/blackstoneproducts)



STRAWBERRIES AND CREAM PANCAKES
Breakfast

OKLAHOMA FRIED ONION BURGER
Lunch



TACOS BORRACHOS
Dinner

CLEANING YOUR GRIDDLE TOP

Clean griddle top after each use, while still warm.

- DO NOT use soap on the griddle top. This will destroy the griddle's seasoning.



VIDEO TUTORIAL

How to Clean your Blackstone Griddle

📺 youtube.com/watch?v=-ledu9z6NPY

STEP 01 Push loose food debris into the grease cup with spatula or straight metal scraper.



STEP 02 Wipe down griddle top with paper towel.



STEP 03 Apply a few tablespoons of water to the griddle surface, then scrape the water and debris into the grease cup.

(For stuck-on food residue, use a bit of coarse salt.)



STEP 04 Wipe again with a paper towel and dry completely.



STEP 05 Apply thin coat of cooking oil to maintain seasoning and protect the griddle top.



EMPTY YOUR GREASE CUP

The grease cup must be removed and emptied after each use.

⚠ CAUTION

Grease cup will be hot during and after use. DO NOT remove the grease cup until the griddle has completely cooled.



CARE AND MAINTENANCE

⚠ WARNING

Grease build up can cause a fire. Clean any part of the appliance that gets hot and experiences grease build up after each use.

⚠ CAUTION

All cleaning and maintenance should be carried out when the appliance is cool and everything is turned OFF.

- DO NOT use abrasive pad on areas with graphics.
- If a bristle brush is used to clean any of the cooking surfaces, ensure no loose bristles remain on cooking surfaces prior to cooking.

APPLIANCE BODY:

Wash with warm soapy water and immediately wipe dry with a non-abrasive cloth. (DO NOT allow cleaning agents to rest on any porous surface for a prolonged amount of time.)

NOTICE

DO NOT use Citrisol, abrasive cleaners, or a concentrated cleaner on the appliance. This may result in damage to and failure of parts.

APPLIANCE STORAGE

⚠ WARNING

DO NOT move the appliance when in use. Allow the appliance to cool to 115°F (45°C) before moving or storing.

Storage of an appliance indoors is only permissible if the gas supply is disconnected and removed from the appliance.

COVER FIT GUIDE

Always cover your appliance when stored outdoors.



To find a cover that will fit your appliance, visit BlackstoneProducts.com/support.

TROUBLESHOOTING

IGNITION TROUBLESHOOTING

BURNER WILL NOT IGNITE:

If ignition does not occur in 5 seconds:

STEP 01 Turn the burner control knob OFF.

STEP 02 Wait 5 minutes.

STEP 03 Repeat the lighting procedure.

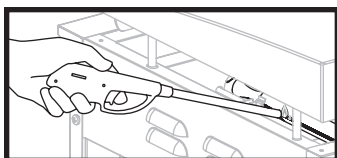
If this does not work, to determine the cause, please try to ignite your appliance with a match.

MATCH LIGHTING INSTRUCTIONS

Before beginning, check for gas leaks. Open hood (if applicable).

STEP 01 Turn control knob to OFF position.

STEP 02 Light a match (or long lighter) no shorter than 11 inches long.



STEP 03 Place the flame next to the burner.

STEP 04 Push in and turn the control knob to start gas flowing. Ensure burner lights and stays lit.

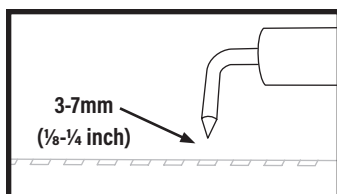
IF YOU CAN IGNITE YOUR APPLIANCE WITH A MATCH:

POSSIBLE CAUSES

Ignitor wire misaligned.

SOLUTION

Ensure that the ignitor needle is positioned 3-7mm (1/8-1/4 inch) away from the burner, and aligned with the burner holes.



Damage to the ignition system.

Contact customer support for replacement parts.

IF YOU CAN NOT IGNITE YOUR APPLIANCE WITH A MATCH:

POSSIBLE CAUSES

Burner tubes are not receiving fuel.

SOLUTION

Clean the burner assembly to remove the obstruction.

GAS FLOW TROUBLESHOOTING

BURNER FLAMES ARE YELLOW OR IRREGULAR:

- Appliance will not achieve a high heat or heats unevenly.
- Burner flames start strong, then immediately drop to low even when burner is set to high position.
- Flame height drops when a second burner is lit.
- Flames DO NOT extend the full length of the burner, or only run on one side of the burner.
- Burner flames are inconsistent.

POSSIBLE CAUSES

Obstructions in the burner, gas jets, or fuel rail.

Gas cylinder is empty or low.

The regulator's flow limiting device was triggered.

SOLUTION

Clean the burner, jets, and gas hose.

Refill or replace the gas cylinder.

Reset the safety system:

STEP 01 Turn OFF the appliance, close the LPG cylinder valve, and disconnect the regulator from the LPG cylinder.

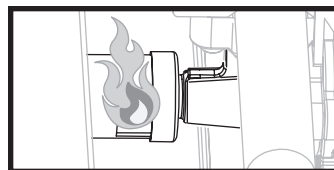
STEP 02 Wait five minutes to allow the pressure to dissipate, then reconnect the regulator to the LPG cylinder and slowly open the OPD hand wheel one half turn.

STEP 03 Ignite your appliance.

Regulator stuck in safety position.

Contact customer support for replacement parts.

A FLAME IS COMING OUT OF THE AIR GATE:



POSSIBLE CAUSES

Something is blocking the venturi in the burner.

SOLUTION

Clean the burner assembly to remove the obstruction.



CLEANING THE BURNER ASSEMBLY

To reduce chance of “flash-back” the procedure below should be followed at least once a month when spiders are most active or when your appliance has not been used for a period of time.



VIDEO TUTORIAL

How to Clean Your Burner Tube

[youtube.com/watch?v=xKQTCrFCzf8](https://www.youtube.com/watch?v=xKQTCrFCzf8)

STEP 01 Ensure that the gas is turned OFF at control knobs and gas supply. Remove the griddle top.

STEP 02 Carefully detach and remove the burner.



STEP 03 Clean the inside of the burner:

- a. Run a bottle brush (not a wire brush) or a stiff wire bent into a small hook through each burner tube several times.
- b. Use compressed air to blow through the burner tube and out the burner ports (Wear eye protection).



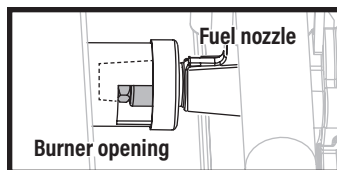
STEP 04 Brush entire outer surface of burner to remove grime.



STEP 05 Clean any blocked ports with stiff wire such as an open paper clip.



STEP 06 Carefully replace burners and reattach, with attention to the location of the ignition needle.



⚠ The gas rail fuel nozzle must be reengaged within the burner opening.

CUSTOMER SUPPORT

Visit us online at [BlackstoneProducts.com/support](https://www.BlackstoneProducts.com/support) for assistance concerning appliance use, replacement parts, or your warranty.

CUSTOMER SUPPORT HOURS:

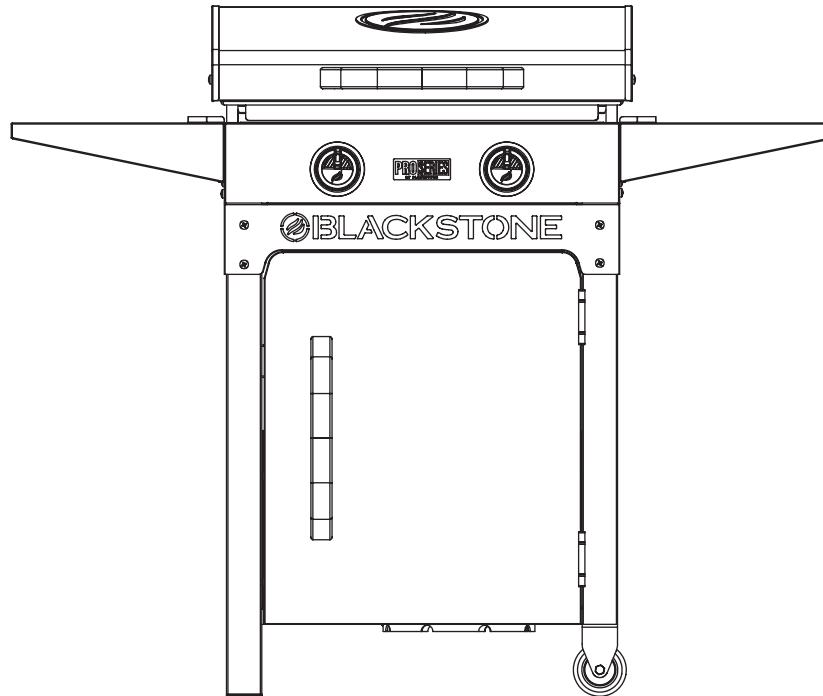


Monday – Friday
7:00 am – 5:00 pm (Mountain Time)



This product may be covered by one or more issued U.S. and/or international patents and may include patent applications pending. For more information, please visit: BlackstoneProducts.com/patents

MODÈLES: 2358 - 2359 - 2360 v03



FRANÇAIS

MANUEL DU PROPRIÉTAIRE

PLAQUE CHAUFFANTE DE 22 PO AVEC HOTTE ET ARMOIRE

TABLE DES MATIÈRES

INFORMATIONS DE SÉCURITÉ IMPORTANTES	02
GARANTIE	03
GUIDE D'ASSEMBLAGE	04
UTILISATION DE VOTRE BLACKSTONE	11
DÉPANNAGE	18



Pour obtenir la dernière version de ce manuel, scannez ce code ou visitez BlackstoneProducts.com/support

IMPORTANT:

Ce manuel d'instructions contient des informations importantes nécessaires au montage correct et à l'utilisation en toute sécurité de l'appareil.

Lisez et suivez tous les avertissements et instructions avant d'assembler et d'utiliser l'appareil.

Suivez tous les avertissements et instructions lors de l'utilisation de l'appareil.

Conservez ce manuel pour référence ultérieure.

Installateur/Assembleur : Laisser ces instructions au consommateur.

CLÉ D'ALERTE DE SÉCURITÉ

⚠ DANGER

Indique une situation dangereuse qui, si elle n'est pas évitée, entraînera la mort ou des blessures graves.

⚠ ATTENTION

Indique une situation dangereuse qui, si elle n'est pas évitée, pourrait entraîner des blessures mineures ou modérées.

⚠ AVERTISSEMENT

Indique une situation dangereuse qui, si elle n'est pas évitée, peut entraîner la mort ou des blessures graves.

AVIS

Indique des informations considérées comme importantes, mais non liées à un danger (par exemple, des messages liés à des dommages matériels).

INFORMATIONS DE SÉCURITÉ IMPORTANTES

FRANÇAIS

⚠ DANGER

Si vous sentez une odeur de gaz:

- Fermez le gaz vers l'appareil.
- Éteignez toute flamme nue.
- Ouvrez le capot (le cas échéant).
- Si l'odeur persiste, éloignez-vous de l'appareil et appelez immédiatement votre fournisseur de gaz ou votre service d'incendie.

Le non-respect de ces instructions peut entraîner un incendie ou des dommages matériels, des blessures ou la mort.

⚠ DANGER

- **NE FAITES** jamais fonctionner cet appareil sans surveillance.
 - En cas d'incendie, éloignez-vous de l'appareil et appelez immédiatement les pompiers. **N'ESSAYEZ PAS** d'éteindre un feu d'huile ou de graisse avec de l'eau.
 - **NE FAITES** jamais fonctionner cet appareil à moins de 25 pi (7,5 m) de tout liquide inflammable.
- El incumplimiento de estas instrucciones podría provocar incendios o daños a la propiedad, lesiones personales o la muerte.

⚠ AVERTISSEMENT

- Ne stockez pas et **N'UTILISEZ PAS** d'essence ou d'autres liquides ou vapeurs inflammables à proximité de cet appareil ou de tout autre appareil.
- Une bouteille de GPL non connectée pour utilisation ne doit pas être stockée à proximité de cet appareil ou de tout autre appareil.

SÉCURITÉ DES APPAREILS À GAZ

- L'utilisation d'alcool, de médicaments sur ordonnance ou en vente libre peut nuire à la capacité du consommateur à assembler correctement ou à utiliser l'appareil en toute sécurité.
- Gardez les enfants et les animaux domestiques éloignés de l'appareil à tout moment.
- Ayez à portée de main un extincteur de type BC ou ABC.

NE PAS UTILISER À DES FINS AUTRES QUE CELLES PRÉVUES.

- Pour usage domestique extérieur uniquement, pas pour un usage commercial.
- **N'UTILISEZ PAS** cet appareil comme appareil de chauffage.

⚠ AVERTISSEMENT

Une installation, une utilisation, un réglage, une altération, un entretien, une modification ou un entretien inappropriés peuvent entraîner des blessures ou des dommages matériels. Reportez-vous à ce manuel.

L'INSTALLATION DOIT ÊTRE CONFORME AUX CODES LOCAUX.

En l'absence de codes locaux, l'installation doit être conforme à ANSI Z223.1/NFPA 54, CSA B149.1 ou CSA B149.2.

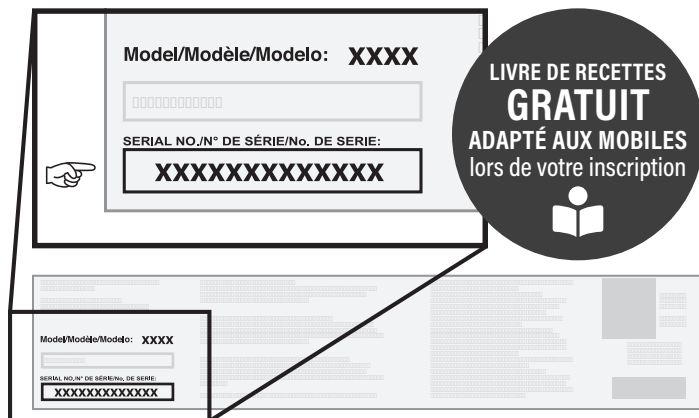


GARANTIE

La garantie d'un an de North Atlantic Imports LLC couvre les pièces de rechange jusqu'à un an après la date d'achat.

POUR ACTIVER CETTE GARANTIE, VOUS DEVREZ FOURNIR:

☞ Numéro de série de votre appareil



Le numéro de série se trouve sur l'étiquette du fabricant de votre appareil. (L'étiquette du fabricant est un grand autocollant argenté apposé sur le corps de votre appareil.)



Enregistrez votre appareil sur BlackstoneProducts.com/register

PRÉSENTATION DE LA GARANTIE

North Atlantic Imports, le fabricant, garantira pendant un an à compter de l'achat toutes les pièces, la fabrication et les finitions. Ce sera l'option du fabricant de réparer ou de remplacer l'un des éléments ci-dessus. Toutes les garanties sont limitées à l'acheteur d'origine uniquement. Cette garantie ne couvre aucune responsabilité de la part de North Atlantic Imports, de ses agents ou employés, pour tout dommage indirect ou consécutif résultant d'une violation de la garantie. L'acheteur doit suivre les instructions d'utilisation du fabricant.

Le fabricant n'est en aucun cas responsable des dommages résultant d'une mauvaise utilisation de la station de cuisson. Il est de la responsabilité de l'acheteur d'établir la période de garantie en vérifiant la date d'achat originale avec le reçu de vente original.

EXPLICATION DÉTAILLÉE DE LA GARANTIE

North Atlantic Imports LLC garantit au propriétaire que le produit couvert par cet accord est exempt de défauts de matériaux et de fabrication dans des conditions normales d'utilisation et de service pour lesquelles il était destiné si, mais seulement si, il a été utilisé conformément à North Atlantic Imports LLC instructions exclusivement pour un usage domestique, et non pour un club privé ou public, à des fins institutionnelles ou commerciales.

L'obligation de North Atlantic Imports LLC en vertu de cette garantie est limitée au remplacement ou à la réparation, sans frais, de toute pièce ou pièces qui peuvent s'avérer, à la satisfaction de North Atlantic Imports LLC, défectueuses dans le cadre d'une utilisation et d'un entretien domestiques normaux dans les périodes indiquées ci-dessous, de temps à compter de la date d'achat ; pendant un an à compter de l'achat, toutes les pièces, la finition et la fabrication. En cas de non-conformité à cette garantie pendant les périodes de garantie applicables indiquées ci-dessus, l'acheteur d'origine doit informer North Atlantic Imports LLC de la violation de la garantie pendant la période de garantie applicable.

North Atlantic Imports LLC doit, sur notification et conformité de l'acheteur d'origine avec ces instructions, corriger cette non-conformité en réparant ou en remplaçant la ou les pièces défectueuses.

La correction de la manière indiquée ci-dessus constituera l'accomplissement de toutes les obligations de North Atlantic Imports LLC en ce qui concerne la qualité du produit.

North Atlantic Imports LLC ne garantit pas que cet équipement réponde aux exigences de tout code de sécurité d'un état, d'une municipalité ou d'une autre juridiction, et l'acheteur d'origine assume tous les risques et responsabilités résultant de son utilisation, qu'il soit utilisé conformément à North Atlantic Imports instructions LLC ou autrement.

Cette garantie ne couvre pas et est destinée à exclure toute responsabilité de la part de North Atlantic, ses agents, préposés ou employés, que ce soit en vertu de cette garantie ou implicite par la loi pour tout dommage indirect ou consécutif en cas de violation de toute garantie. L'acheteur doit établir toutes les périodes de garantie applicables conformément à cette garantie en vérifiant la date d'achat originale en produisant le reçu de vente daté. Cette garantie ne s'applique pas à ce produit ou à toute autre partie de celui-ci qui a fait l'objet d'un accident, d'une négligence, d'une altération, d'un abus ou d'une mauvaise utilisation ou qui a été réparé ou modifié sans le consentement écrit de North Atlantic, en dehors de l'usine de North Atlantic Imports LLC. La garantie complète du fabricant n'est pas valable pour les plaques chauffantes achetées auprès de revendeurs tiers sans licence, achetées à prix réduit en raison de pièces manquantes ou endommagées, ou achetées en tant que modèle de plancher ; à la discrétion de North Atlantic Imports.

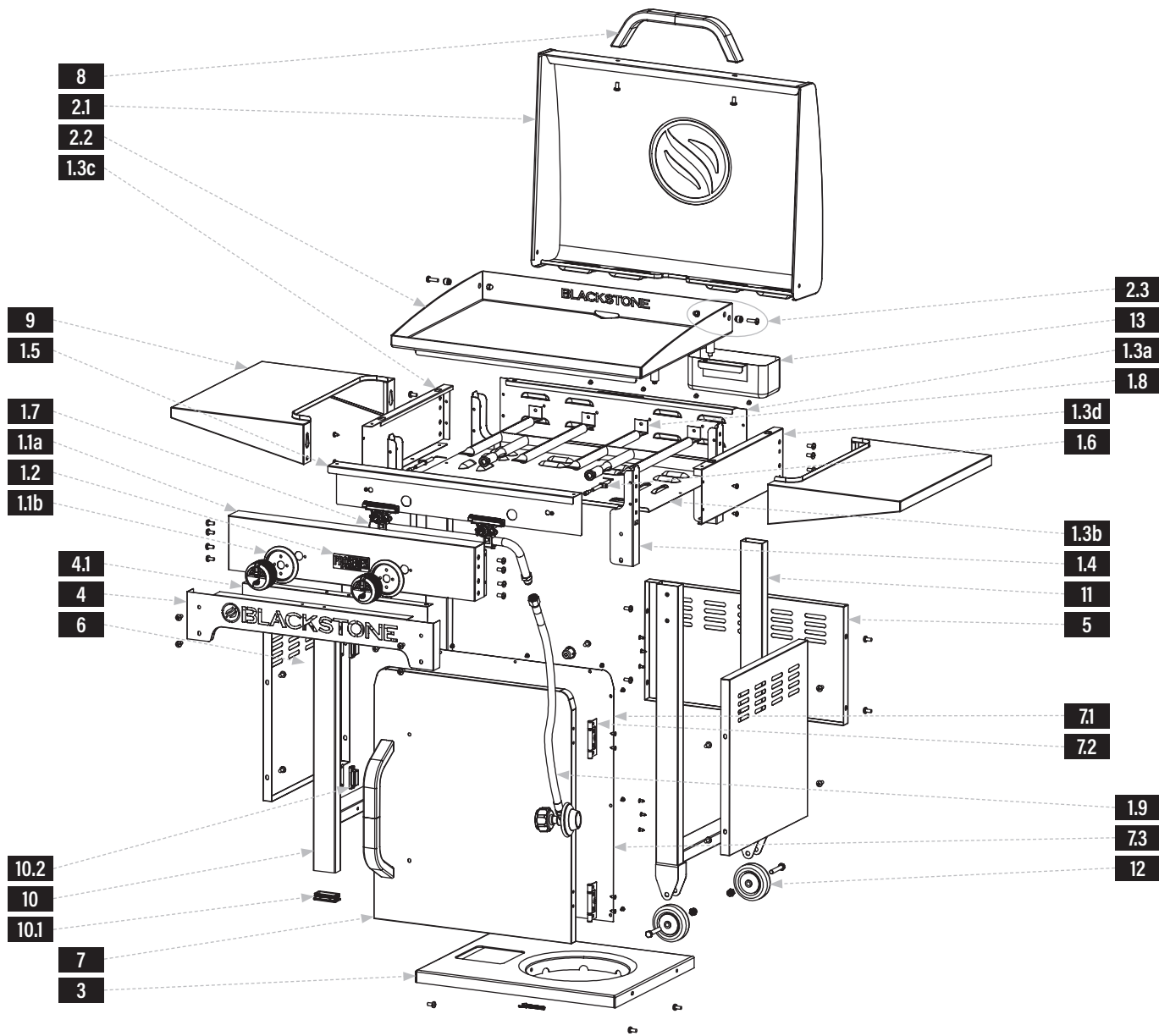
North Atlantic Imports LLC n'offre aucune garantie quant aux accessoires ou pièces non fournis avec. Cette garantie ne s'applique qu'à l'intérieur des frontières des États-Unis d'Amérique et du Canada. Cette garantie donne à l'acheteur d'origine des droits spécifiques, et l'acheteur d'origine peut également avoir d'autres droits, qui varient d'un état à l'autre.



GUIDE D'ASSEMBLAGE

VUE ÉCLATÉE

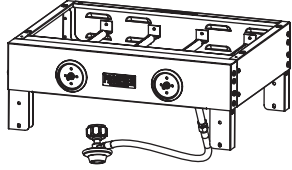
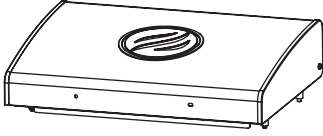
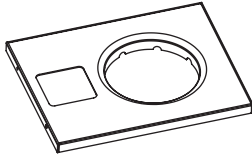

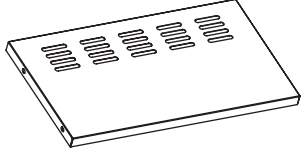
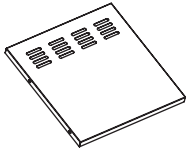
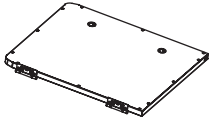
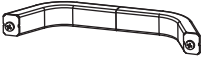
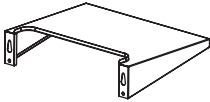
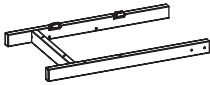
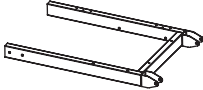
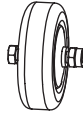
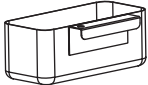
FRANÇAIS



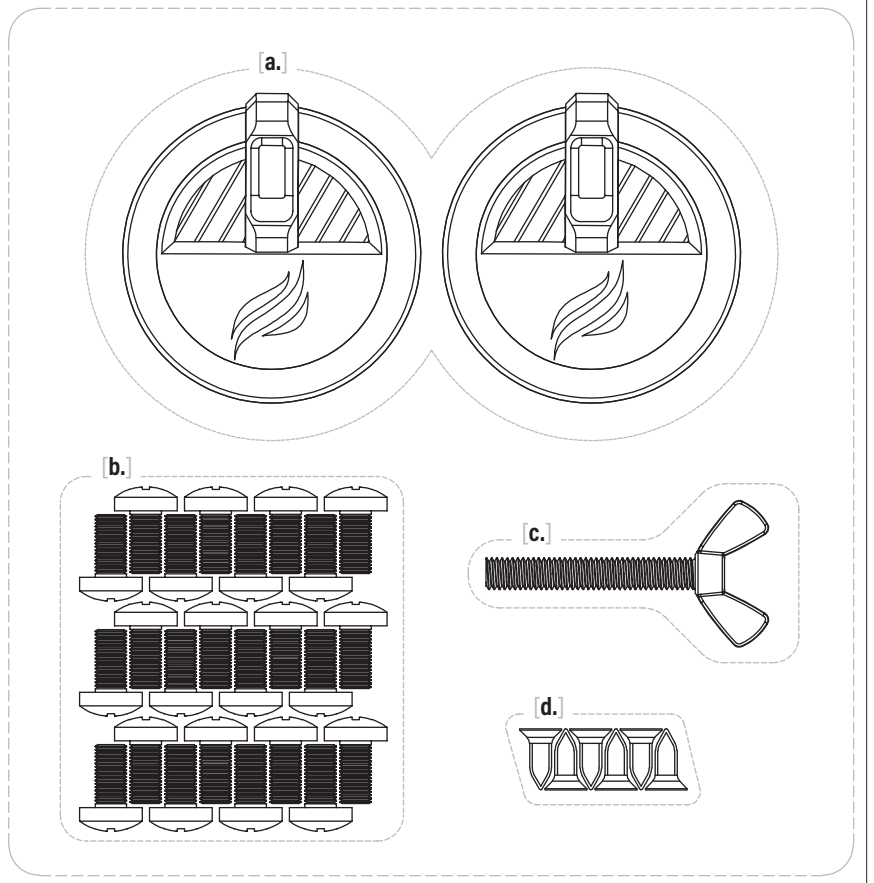
LISTE DES PIÈCES

PIÈCES	QTÉ	PIÈCES	QTÉ	PIÈCES	QTÉ	PIÈCES	QTÉ
1.1a Panneau de contrôle	1	1.3d Panneau latéral droit	1	1.9 Régulateur	1	7.2 Charnières de porte	2
1.1b Enjoliveurs de boutons de commande	2	1.4 U Plaques de renfort	4	2.1 Capot	1	7.3 Doublure de panneau de porte	1
1.2 Insigne logo	1	1.5 Panneau déflecteur	1	2.2 Plaque chauffante	1	10.1 Couvre-jambes	2
1.3a Panneau arrière	1	1.6 Aiguilles d'allumage	2	2.3 Ensemble charnière de capot	2	10.2 Aimants	2
1.3b Panneau du bas	1	1.7 Rampe de gaz	1	4.1 Panneau d'arrière-plan	1		
1.3c Panneau latéral gauche	1	1.8 Brûleurs H	2	7.1 Capuchons de poignée	2		



<p>1 Corps (1 pièce)</p> 	<p>2 Plaque chauffante et hotte (1 pièce)</p> 	<p>3 Ensemble pied droit (1 pièce)</p> 			
<p>4 Panneau logo avant (1 pièce)</p> 	<p>5 Panneau arrière (1 pièce)</p> 	<p>6 Panneaux latéraux (2 pièces)</p> 	<p>7 Ensemble de porte (1 pièce)</p> 		
<p>8 Base de chariot (1 pièce)</p> 	<p>9 Poignées (2 pièces)</p> 	<p>10 Tablettes latérales (2 pièces)</p> 	<p>11 Assemblage de jambe gauche (1 pièce)</p> 	<p>12 Roues (2 pièces)</p> 	<p>13 Godet à graisse (1 pièce)</p> 

- 14** Hardware pack (1 pièce)
- a. Boutons de commande (2 pièces)
 - b. Boulons M6x12 (24 pièces)
 - c. Vis à oreilles (1 pièce)
 - d. Vis autotaraudeuses (6 pièces)



INSTRUCTIONS DE MONTAGE

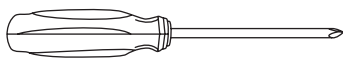
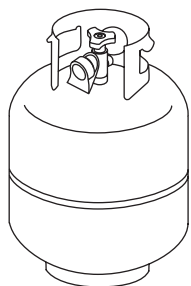
Trouvez une grande surface propre pour assembler votre appareil.
Retirez tous les matériaux d'emballage avant l'assemblage.

⚠ ATTENTION

Bouts pointus. Portez des gants lors de l'assemblage.

⚠ ATTENTION

Morceaux lourds. Deux personnes doivent assembler cet appareil.



NON INCLUS:

Bouteille GPL
Taille: 45 x 30 cm (18 x 12 po), 9 kg (20 lb)
La bouteille de GPL doit inclure un collier pour protéger le robinet de la bouteille de GPL.

OUTIL NÉCESSAIRE:

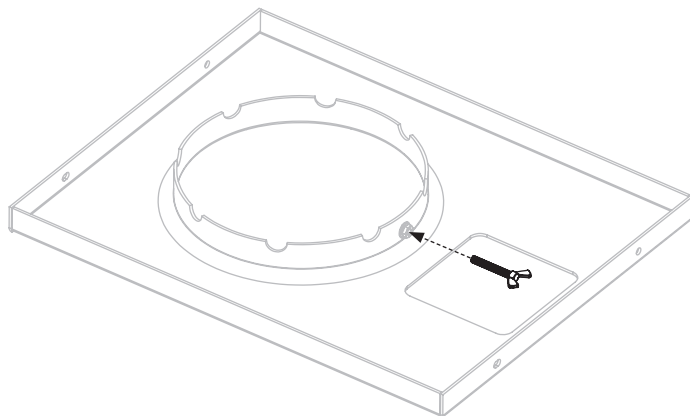
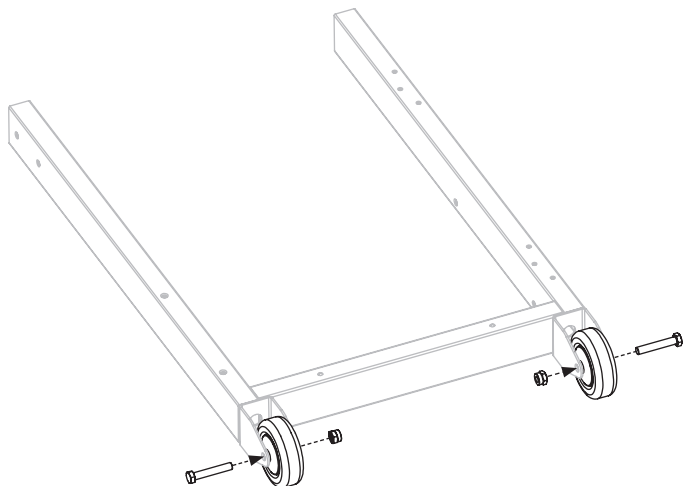
Tournevis cruciforme n° 3

ÉTAPE 01 Retirez le pied droit de l'emballage et posez-le sur une surface lisse et plane.

Utilisez les boulons et écrous préinstallés sur les roues pour installer les roues au bas de l'ensemble de pied droit.

ÉTAPE 02 Retirez la base du chariot de l'emballage et posez-la à l'envers sur une surface lisse et plane.

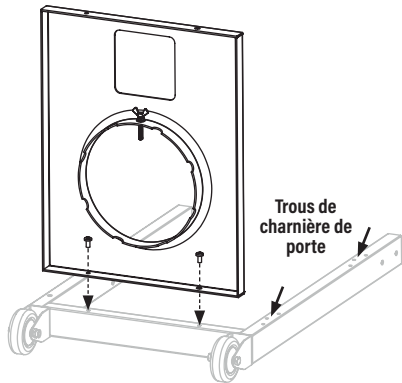
Vissez la vis à oreilles [c.] dans le support de propane.



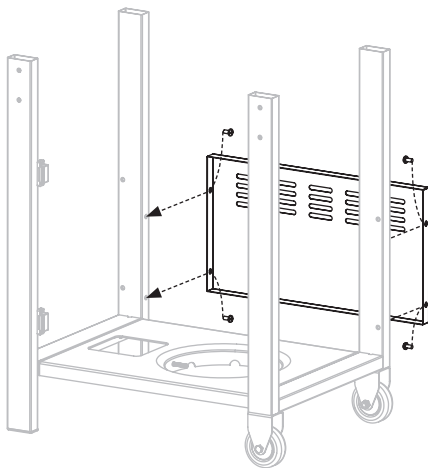


ÉTAPE 03 Avec l'aide d'une autre personne, utilisez deux (2) boulons M6x12 [b.] pour fixer le côté droit de la base du chariot à l'ensemble de pied droit. (Remarque: installez les deux vis sans les serrer, puis serrez-les.)

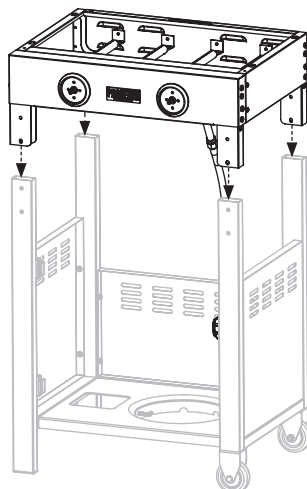
Assurez-vous que les trous des charnières de porte sont orientés vers l'intérieur du chariot.



ÉTAPE 05 Avec l'aide d'une autre personne, mettez le chariot sur ses pieds. Utilisez quatre (4) boulons M6x12 [b.] pour fixer sans serrer le panneau arrière aux ensembles de pieds gauche et droit. Ne serrez pas complètement les boulons pour le moment.

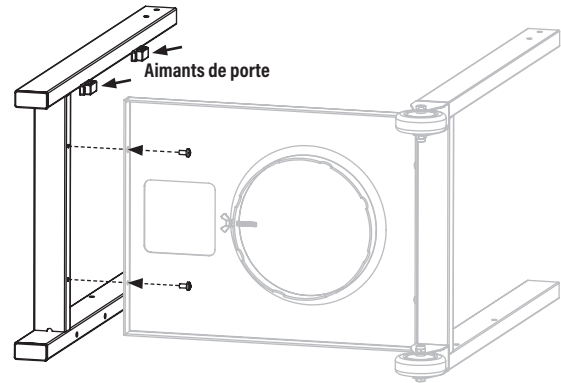


ÉTAPE 07 Avec l'aide d'une autre personne, placez le corps de la plancha sur le chariot.

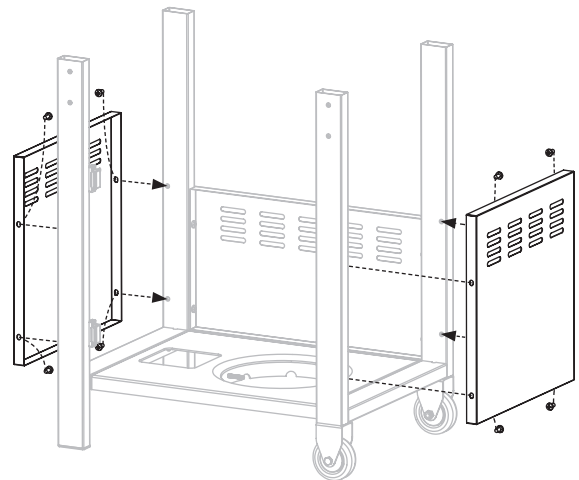


ÉTAPE 04 Avec l'aide d'une autre personne, utilisez deux (2) boulons M6x12 [b.] pour fixer l'ensemble de pied gauche sur le côté gauche de la base du chariot. (Remarque: installez les deux vis sans les serrer, puis serrez-les.)

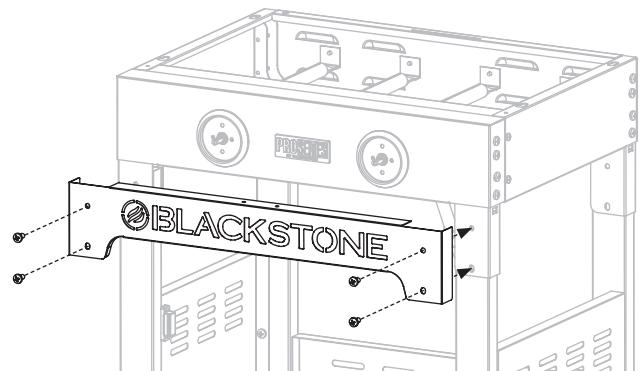
Assurez-vous que les aimants de la porte sont orientés vers l'intérieur du chariot.



ÉTAPE 06 Utilisez huit (8) boulons M6x12 [b.] pour fixer les deux (2) panneaux latéraux aux ensembles de pieds gauche et droit. Ne serrez pas complètement les boulons pour le moment.

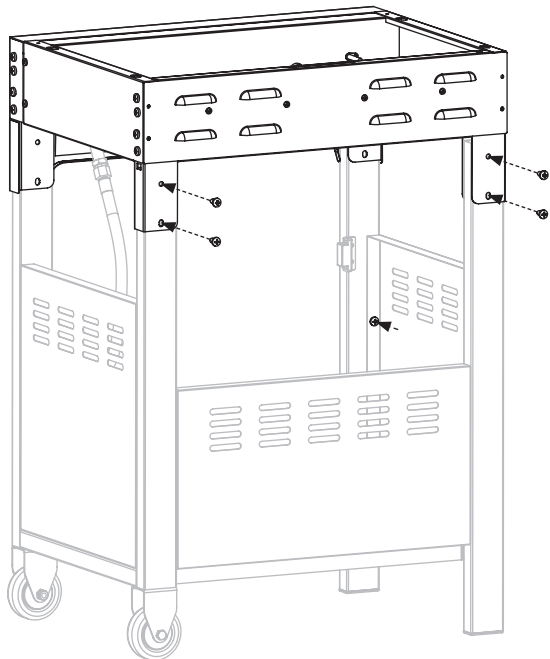


ÉTAPE 08 Utilisez quatre (4) boulons M6x12 [b.] pour fixer le panneau avant du logo à l'avant du corps de la plaque chauffante. (Remarque : installez sans serrer tous les boulons, puis serrez.)

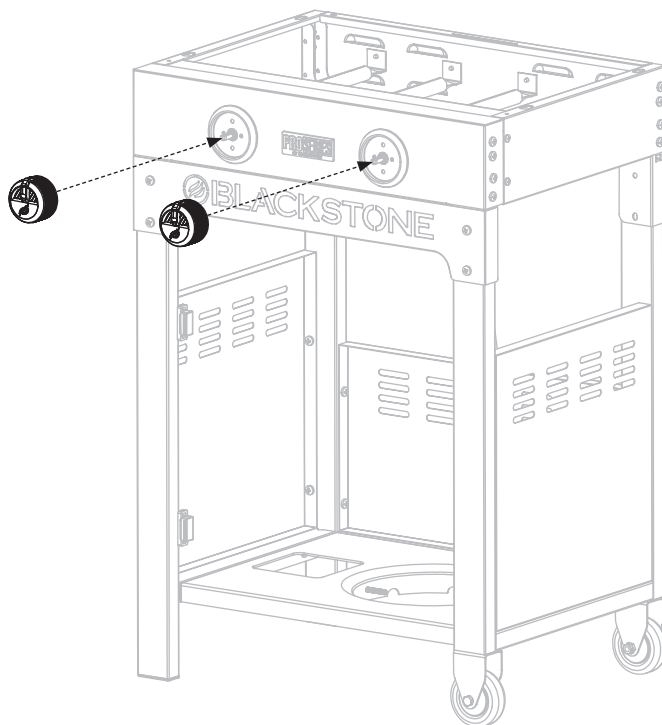


ÉTAPE 09 Utilisez quatre (4) boulons M6x12 [b.] pour fixer le corps de la plaque chauffante aux ensembles de pieds gauche et droit. (Remarque : installez sans serrer toutes les vis, puis serrez.)

Assurez-vous que les pieds de la plaque chauffante sont au niveau du sol et serrez les douze (12) boulons M6x12 sur les panneaux arrière et latéraux.

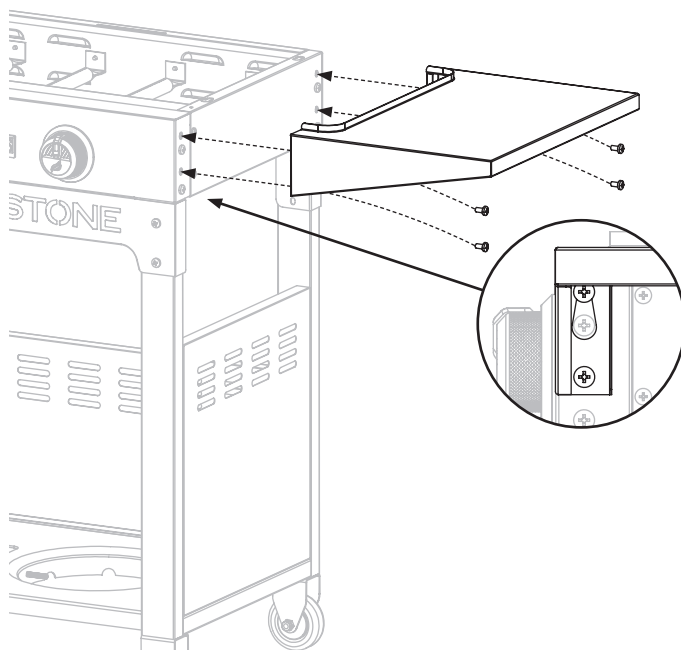
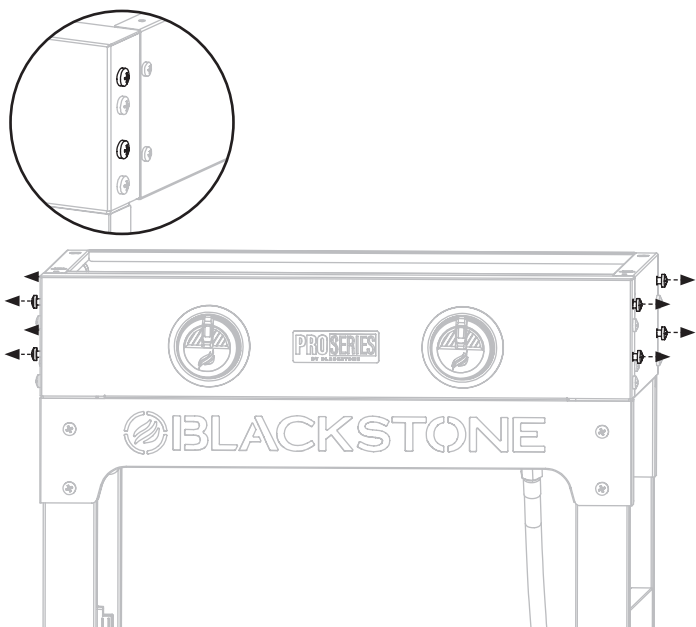


ÉTAPE 10 Installez les deux (2) boutons de commande [a.] en les poussant en place en position OFF.



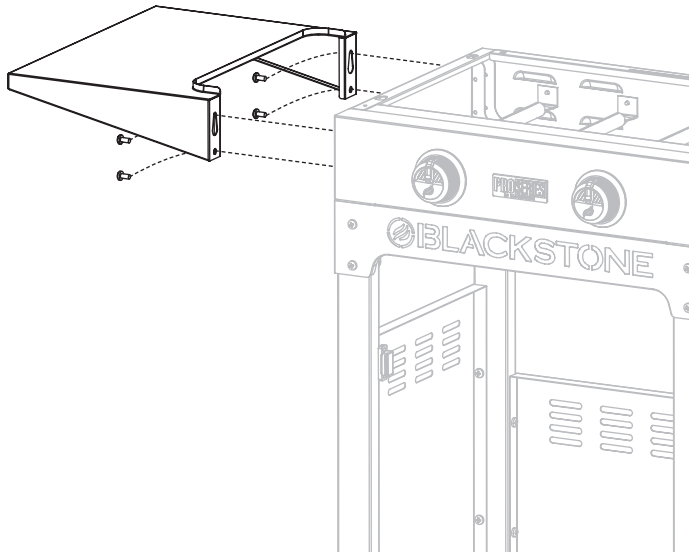
ÉTAPE 11 Retirez les huit (8) boulons M6x12 du haut et du deuxième en partant du bas de chaque côté du corps de la plaque chauffante.

ÉTAPE 12 Utilisez quatre (4) des boulons M6x12 retirés pour fixer une (1) étagère latérale sur le côté droit du corps de la plaque chauffante.





ÉTAPE 13 Utilisez quatre (4) des boulons M6x12 retirés pour fixer une (1) étagère latérale sur le côté gauche du corps de la plaque chauffante.

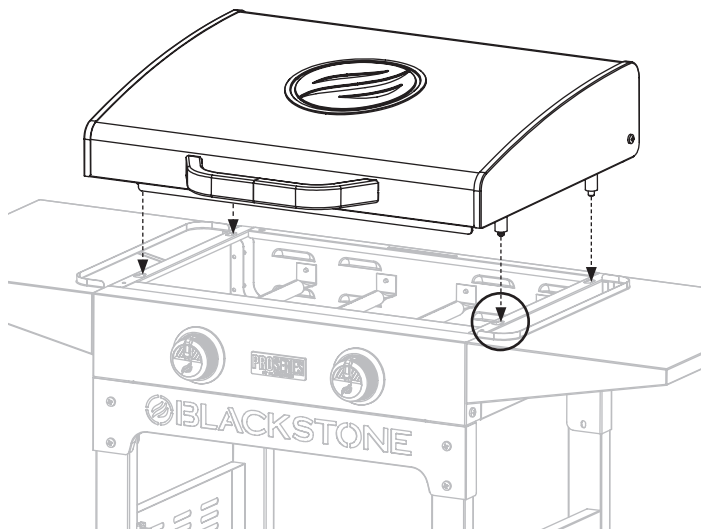


ÉTAPE 14 Utilisez deux (2) boulons M6x12 [b.] pour installer une (1) poignée à l'avant du capot.

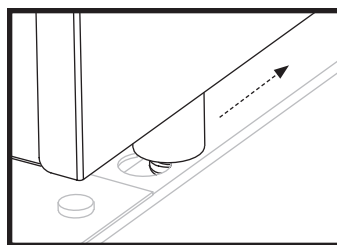


FRANÇAIS

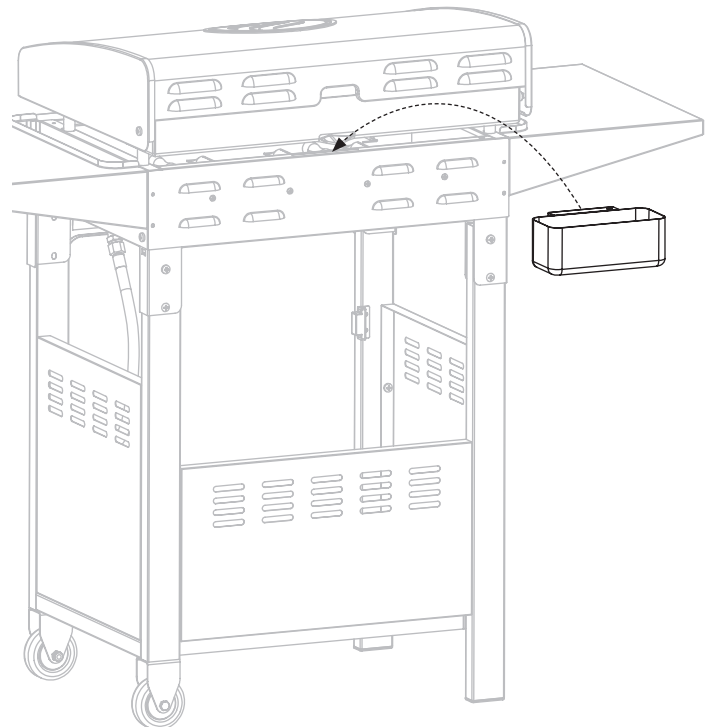
ÉTAPE 15 Avec l'aide d'une autre personne, placez le dessus de la plaque et le capot sur le corps de la plaque en alignant les quatre broches avec les trous situés sur le dessus de l'appareil.



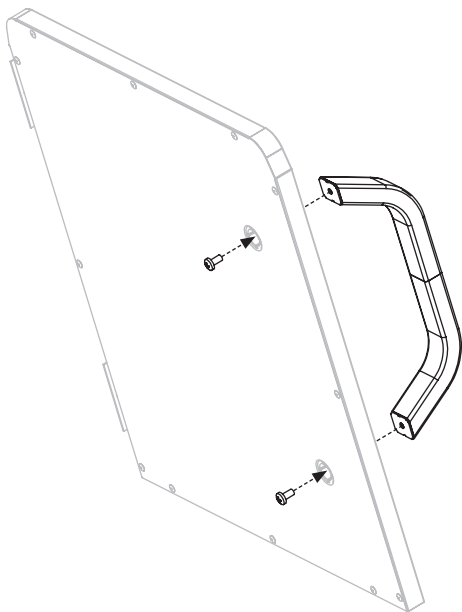
Make sure the front pins are seated in the holes, then push the griddle top back.



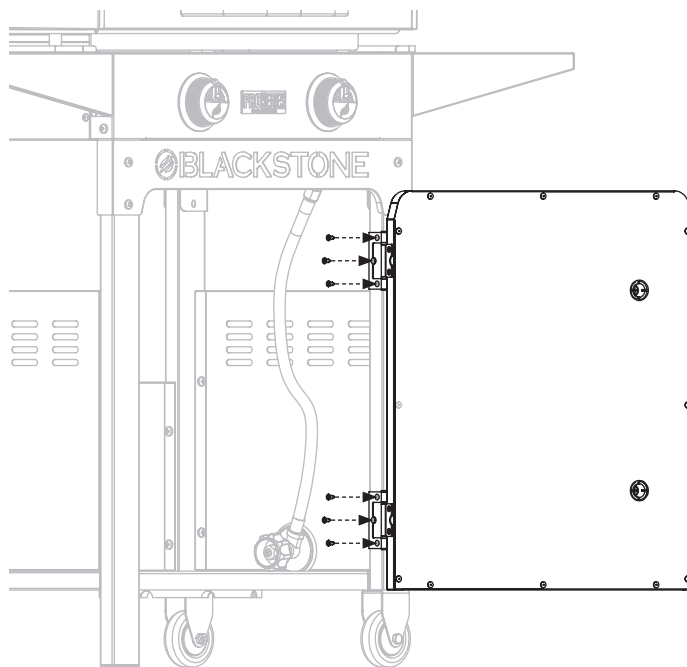
ÉTAPE 16 Accrochez le bac à graisse dans la fente à l'arrière du corps de la plaque chauffante.



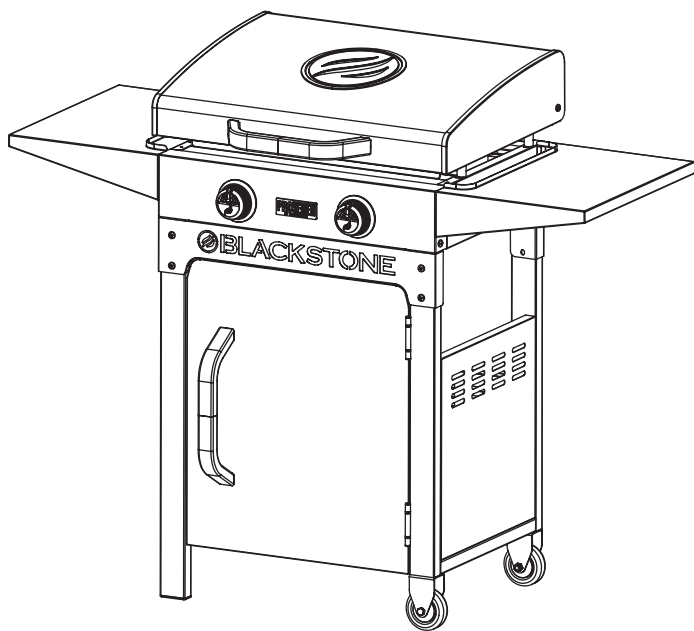
ÉTAPE 17. Utilisez les deux (2) boulons M6x12 préinstallés dans une (1) poignée pour installer cette poignée sur l'ensemble de porte.



ÉTAPE 18 Utilisez six (6) vis autotaraudeuses [d.] pour fixer les charnières de l'ensemble de porte à l'ensemble de pied droit.



ÉTAPE 19 Passez à **UTILISATION DE VOTRE BLACKSTONE.**



NOTICE

DO NOT leave the hood closed for more than 10 minutes while cooking.

NOTICE

- Maximum weight on the side shelf is 10 lbs (4.5 kg).
- The side shelf may get hot while appliance is in use.



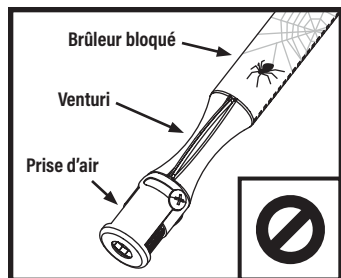
UTILISATION DE VOTRE BLACKSTONE

AVANT LA CUISSON

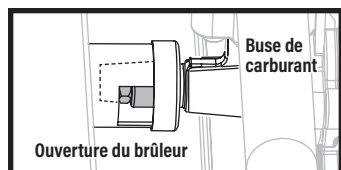
VÉRIFIER LES BRÛLEURS

Avant le raccordement et l'utilisation, assurez-vous qu'il n'y a pas de débris coincés ou endommagés dans la tête de la bouteille de gaz, le régulateur, le tuyau, le brûleur et les orifices du brûleur.

Les araignées et les insectes peuvent nicher à l'intérieur et obstruer le brûleur/ tube venturi au niveau de l'orifice.



⚠ AVERTISSEMENT
 Un brûleur obstrué peut provoquer un incendie sous l'appareil.
 Le brûleur doit être retiré et nettoyé chaque fois que des blocages sont détectés.



⚠ Assurez-vous que l'orifice de la buse de carburant de la rampe de gaz est correctement engagé dans l'ouverture du brûleur.

LA TEMPÉRATURE AMBIANTE MINIMALE DE FONCTIONNEMENT EST DE 0 °F (-18 °C).

⚠ DANGER
 Les objets inflammables peuvent brûler s'ils sont placés à proximité de l'appareil.
 Gardez la zone de l'appareil dégagée et exempte de matériaux combustibles, de bombes aérosols, d'essence et d'autres vapeurs et liquides inflammables.

⚠ ATTENTION
 Si l'appareil est équipé d'un porte-essuie-tout, le bras doit être en position ouverte pendant l'utilisation de l'appareil.

SI DE LA GRAISSE OU UN AUTRE MATÉRIAU CHAUD S'ÉGOUTTE SUR LA VANNE, LE TUYAU OU LE RÉGULATEUR:

ÉTAPE 01 Coupez immédiatement l'alimentation en gaz.

ÉTAPE 02 Déterminez la cause et corrigez-la.

ÉTAPE 03 Nettoyez et inspectez la vanne, le tuyau et le régulateur.

ÉTAPE 04 Effectuez un test de fuite. (Veuillez vous référer aux instructions de test de fuite)

AMÉNAGEMENT DE VOTRE ESPACE EXTÉRIEUR

CET APPAREIL NE DOIT ÊTRE UTILISÉ QU'À L'EXTÉRIEUR.

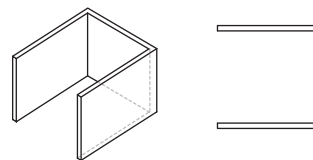
- N'UTILISEZ PAS cet appareil à l'intérieur de bâtiments, de garages ou de tout autre espace clos.
- N'INSTALLEZ PAS cet appareil dans ou sur un bateau.
- N'INSTALLEZ PAS cet appareil dans ou sur un véhicule récréatif.

ESPACES EXTÉRIEURS ABRITÉS:

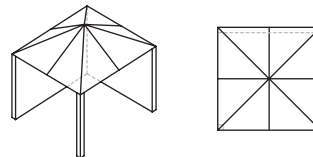
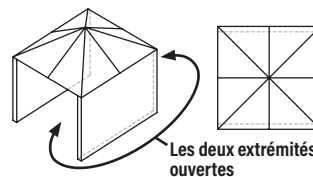
Toutes les ouvertures doivent être ouvertes en permanence ; les portes coulissantes, les portes de garage, les fenêtres ou les ouvertures grillagées ne sont pas considérées comme des ouvertures permanentes.

Un appareil est considéré comme étant à l'extérieur s'il est installé avec un abri ne dépassant pas:

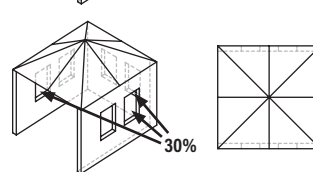
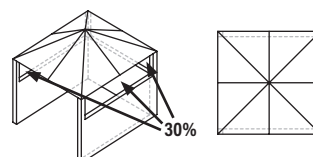
a. Avec des murs sur trois côtés, mais sans couverture aérienne.



b. À l'intérieur d'une enceinte partielle qui comprend un toit supérieur et pas plus de deux parois latérales. Les parois latérales peuvent être parallèles, comme dans un passage couvert, ou à angle droit l'une par rapport à l'autre.

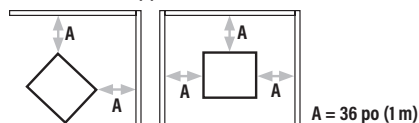


c. À l'intérieur d'une enceinte partielle qui comprend un couvercle supérieur et trois parois latérales, tant que 30% ou plus de la périphérie horizontale de l'enceinte est ouverte en permanence.



MAINTENIR DES DÉGAGEMENTS APPROPRIÉS PAR RAPPORT AUX MATÉRIELS COMBUSTIBLES :

- N'UTILISEZ PAS cet appareil sur ou sous un balcon ou une terrasse d'appartement ou de copropriété.
- NE PAS obstruer le flux d'air de combustion et de ventilation.
- NE FAITES pas fonctionner cet appareil à moins de 36 po (1 m) des côtés et de l'arrière de l'appareil à une construction combustible.



- N'UTILISEZ PAS cet appareil sous une construction combustible suspendue.

FRANÇAIS

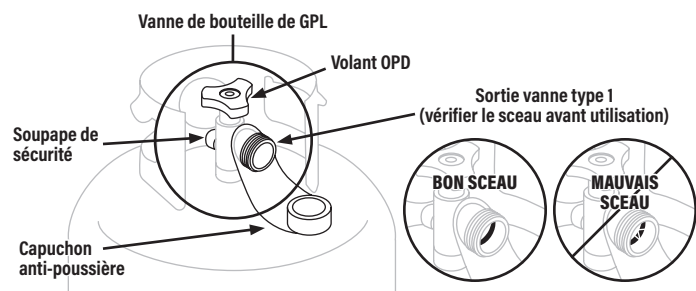
EXIGENCES RELATIVES AUX BOUTEILLES DE GPL

POUR BOUTEILLES DE 20 LB (9 KG)

- La bouteille d'alimentation en GPL à utiliser doit être construite et marquée conformément aux spécifications pour les bouteilles de GPL, U.S. Department of Transportation (DOT) ou à la norme pour les bouteilles, les sphères et les tubes pour le transport des marchandises dangereuses, CAN/CSA-B339.
- seules les bouteilles de GPL marquées « propane » doivent être utilisées.
- Le système d'alimentation de la bouteille de GPL doit être prévu pour le prélèvement de vapeur.
 - Gardez toujours les nouvelles bouteilles de GPL en position verticale pendant l'utilisation, le transport ou le stockage.
 - Gardez toujours la ou les ouvertures de ventilation de l'enceinte de la bouteille exemptes de débris.

LA VALVE DE LA BOUTEILLE DE GPL DOIT AVOIR:

- Sortie vanne type 1 (filetage extérieur).
- Soupape de sécurité.
- Dispositif de protection contre les débordements (OPD) homologué UL. Cette fonction de sécurité OPD est identifiée par un volant triangulaire unique.
- Capuchon anti-poussière



Le joint d'étanchéité de la sortie de la vanne de type 1 pourrait, au fil du temps, présenter des dommages ou une détérioration marqués et visibles pouvant provoquer une fuite même avec la connexion serrée.

- Une inspection visuelle du joint doit être effectuée chaque fois qu'une bouteille de GPL est remplacée ou remplie.
- Toute bouteille de GPL présentant des signes de dommages ou de détérioration tels que ceux illustrés, y compris des fissures et des piqûres visibles, doit être retournée inutilisée au vendeur.

STOCKAGE DES BOUTEILLES DE GPL

⚠ AVERTISSEMENT

- Ne stockez pas de bouteille de GPL de rechange sous, à proximité ou dans cet appareil.
 - Ne remplissez pas une bouteille de GPL à plus de 80%.
- Si les informations ci-dessus ne sont pas suivies à la lettre, un incendie causant la mort ou des blessures graves peut se produire.

- La bouteille de GPL doit être éteinte lorsque l'appareil n'est pas utilisé.
- Les bouteilles de GPL doivent être stockées à l'extérieur et hors de portée des enfants.
- Ne stockez pas une bouteille de GPL à l'intérieur d'un bâtiment, d'un garage ou de tout autre espace clos.

REMPLEISSAGE & ÉCHANGE

- Utilisez uniquement les sociétés d'échange réputées qui inspectent, remplissent avec précision, testent et certifient leurs bouteilles. Le concessionnaire GPL doit purger la nouvelle bouteille avant de la remplir.
- Le volume de propane dans le réservoir varie selon la température.

⚠ AVERTISSEMENT

Un régulateur givré indique un débordement de gaz. Fermez immédiatement le robinet de la bouteille de GPL et appelez le revendeur de GPL local pour obtenir de l'aide.

- Ne rejetez pas de gaz de pétrole liquéfié (GPL) dans l'atmosphère.
- Pour retirer le gaz de la bouteille de GPL, contactez un revendeur de GPL certifié ou le service d'incendie local pour obtenir de l'aide.
- Remplacez le réservoir uniquement par un réservoir équipé d'un dispositif de sécurité OPD.

Votre revendeur peut vous aider à faire correspondre une bouteille de GPL de remplacement à votre appareil.

INSTRUCTIONS DE TEST DE FUITE

- Testez les fuites des bouteilles de GPL neuves et échangées AVANT de les connecter à la plaque chauffante.
- Ne fumez pas pendant le test de fuite.
- N'UTILISEZ PAS de flamme nue pour vérifier les fuites de gaz.
- L'appareil doit faire l'objet d'un test d'étanchéité à l'extérieur dans un endroit bien ventilé, loin des sources d'inflammation telles que les appareils à gaz ou électriques.
- Pendant le test de fuite, éloignez l'appareil des flammes nues ou des étincelles.

TEST DE FUITE: BOUTEILLE DE GPL

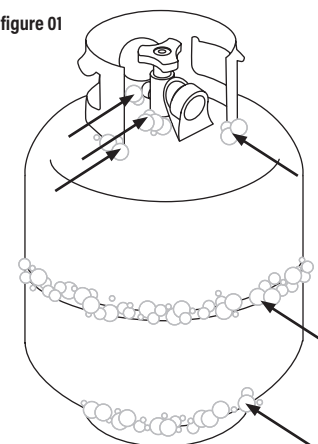
ÉTAPE 01 Utilisez un pinceau propre pour badigeonner une solution de savon doux et d'eau 1% sur les zones de joint de la bouteille de GPL. (Indiqué par des flèches dans la figure 01.)

- Les fuites sont indiquées par des bulles en croissance.

⚠ AVERTISSEMENT

Si des bulles en croissance apparaissent pendant le test de fuite, N'UTILISEZ PAS ou ne déplacez pas la bouteille de GPL. Contactez immédiatement un fournisseur de GPL ou un service d'incendie.

figure 01



RACCORDS ET TUYAUX

- recommandés.
 - Gardez le tuyau d'alimentation en carburant à l'écart de toute surface chauffée.
 - Avant chaque utilisation, vérifiez si les tuyaux sont coupés ou usés.
 - Remplacez le tuyau endommagé avant d'utiliser l'appareil.
- (Utilisez uniquement des pièces de rechange approuvées par Blackstone pour la valve, le tuyau ou le régulateur. Le non-respect de cette consigne annulera la garantie.)



SÉCURITÉ DU DÉTENDEUR

- Utilisez cet appareil, tel qu'il a été acheté, uniquement avec le gaz et l'ensemble régulateur/valve fournis. N'UTILISEZ PAS de raccords à connexion rapide ou d'autres accessoires.
- NE PAS fausser le filetage (forcer à un angle inapproprié) la connexion entre votre bouteille de GPL et le régulateur.
- Si vous ne pouvez pas connecter le régulateur, N'UTILISEZ PAS le régulateur.

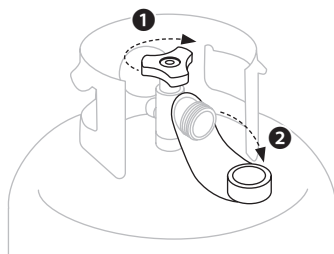
Le régulateur doit être remplacé par un modèle approuvé par Blackstone par un revendeur professionnel agréé.

CONNECTEZ LA BOUTEILLE DE GPL

UTILISEZ UNIQUEMENT UNE BOUTEILLE DE 9 KG (20 LB)

ÉTAPE 01 Tournez les boutons de commande sur OFF.

- 1 Assurez-vous que la bouteille de GPL est éteinte en tournant le volant OPD dans le sens des aiguilles d'une montre jusqu'à l'arrêt complet.
- 2 Retirez le bouchon de type 1 de la sortie de la vanne de type 1.

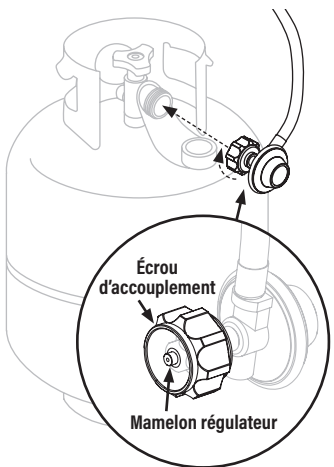


ÉTAPE 02 Maintenez le régulateur en ligne droite avec la sortie de la vanne de type 1 afin de NE PAS fausser le filetage de la connexion.

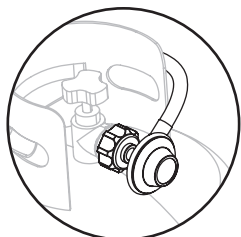
Centrez et insérez le mamelon du régulateur dans la sortie de la vanne de type 1.

Serrez à la main l'écrou d'accouplement dans le sens des aiguilles d'une montre. (N'UTILISEZ PAS d'outils pour vous connecter.)

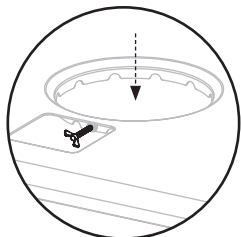
Si la connexion ne peut pas être terminée, débranchez le régulateur et répétez cette étape.



ÉTAPE 03 Placez la bouteille de GPL sur la base du chariot. Serrez la vis à oreilles de la base du chariot pour la fixer à l'appareil.



La soupape de décharge de sécurité doit être orientée à l'opposé de l'utilisateur lorsque l'appareil est en cours d'utilisation.



TEST DE FUITE: VANNES, TUYAU ET RÉGULATEUR

ÉTAPE 01 Tournez les boutons de commande sur OFF.

ÉTAPE 02 Connectez le régulateur à la bouteille de GPL.

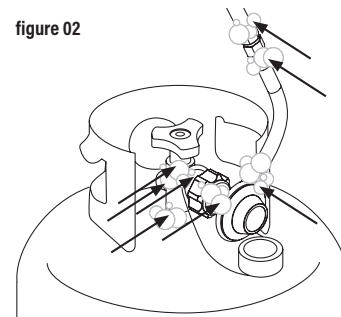
ÉTAPE 03 Ouvrez complètement le réservoir de GPL en tournant le volant OPD dans le sens inverse des aiguilles d'une montre.

- Si vous entendez un bruit de précipitation, coupez immédiatement le gaz. Il y a une grosse fuite au niveau du raccordement.
- Fermez immédiatement la bouteille de GPL en tournant le volant OPD dans le sens des aiguilles d'une montre et resserrez les raccords. Si les fuites ne peuvent pas être arrêtées, N'ESSEYER PAS DE RÉPARER.

ÉTAPE 04 Utilisez un pinceau propre pour appliquer une solution d'eau et de savon doux 10% sur les zones de joint des vannes et du régulateur. (Indiqué par des flèches dans la figure 02.)

- Les fuites sont indiquées par des bulles en croissance.
- Fermez immédiatement la bouteille de GPL en tournant le volant OPD dans le sens des aiguilles d'une montre et resserrez les raccords.

figure 02



⚠ AVERTISSEMENT

Si les fuites ne peuvent pas être arrêtées, N'ESSEYER PAS de les réparer.

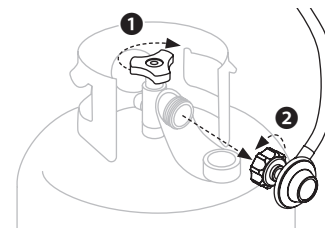
Le régulateur doit être remplacé par un modèle approuvé par Blackstone par un revendeur professionnel agréé.

DÉCONNEXION DE LA BOUTEILLE DE GPL

ÉTAPE 01 Assurez-vous que les boutons de commande sont sur OFF.

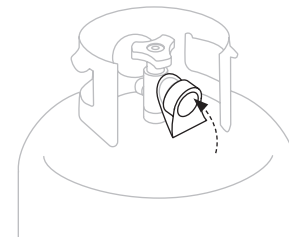
1 Assurez-vous que la bouteille de GPL est éteinte en tournant le volant OPD dans le sens des aiguilles d'une montre jusqu'à l'arrêt complet.

2 Tourner à la main l'écrou d'accouplement dans le sens inverse des aiguilles d'une montre pour retirer le régulateur. (N'UTILISEZ PAS d'outils pour déconnecter.)



ÉTAPE 02 Placez le capuchon anti-poussière sur la sortie du robinet de la bouteille de GPL chaque fois que la bouteille n'est pas utilisée.

N'installez que le type de bouchon de sécurité sur la sortie du robinet de la bouteille qui est fourni avec le robinet de la bouteille. D'autres types de bouchons ou de bouchons peuvent entraîner des fuites de propane.



INSTRUCTIONS D'ALLUMAGE

1. CLAPETS ANTI-RETOUR

ÉTAPE 01 Tourner le bouton en position OFF.

ÉTAPE 02 Appuyez sur le bouton et relâchez. Le bouton devrait revenir en arrière.

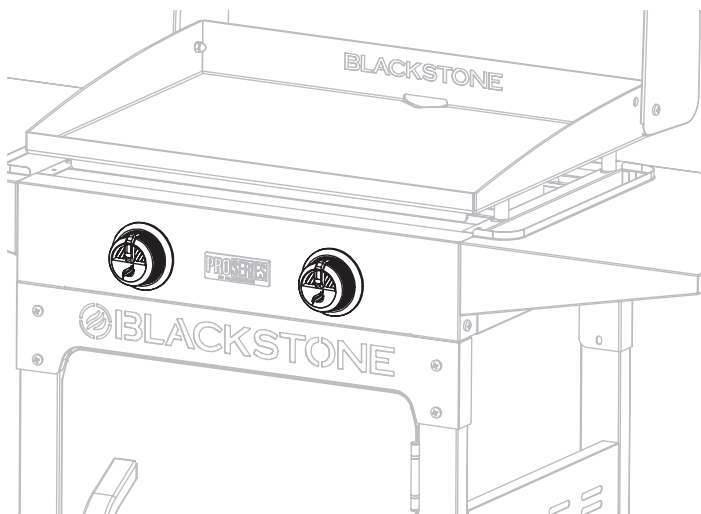
Si les boutons ne reviennent pas, remplacez l'assemblage de la valve avant d'utiliser l'appareil.

ÉTAPE 03 Tournez le bouton sur LOW puis remettez-le sur OFF. Le bouton doit tourner en douceur.

⚠ AVERTISSEMENT

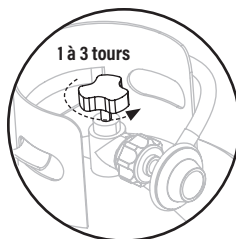
Si le brûleur ne s'allume pas avec la vanne d'alimentation en gaz ouverte, le gaz continuera à s'écouler du brûleur et pourrait s'enflammer accidentellement/par inadvertance avec un risque de blessure.

Assurez-vous que le gaz est coupé au niveau du robinet d'arrêt d'alimentation avant de vérifier les vannes de l'appareil.



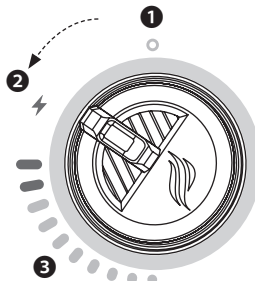
2. ALLUMAGE PIÉZO-ÉLECTRIQUE DE LA PLAQUE CHAUFFANTE

⚠ Ne vous penchez pas sur l'appareil pendant l'allumage.



ÉTAPE 01

Allumez le gaz en tournant le volant de la bouteille de gaz de 1 à 3 tours dans le sens antihoraire.



ÉTAPE 02

1 Appuyez sur le bouton de commande pour démarrer l'écoulement du gaz.

2 Tournez le bouton de commande dans le sens antihoraire pour activer le démarreur.

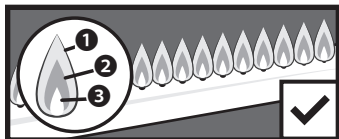
3 Réglez la température au niveau souhaité.

3. VÉRIFIEZ TOUJOURS LA FLAMME DU BRÛLEUR AVANT UTILISATION.

ÉTAPE 01 Allumez les brûleurs et tournez les boutons de HAUT à BAS.

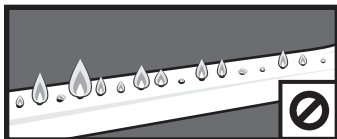
ÉTAPE 02 Regardez sous la surface de cuisson pour voir les brûleurs. Lorsque le bouton est sur HIGH, les flammes doivent être plus grandes que lorsque le bouton est sur LOW.

MODÈLE DE FLAMME SAIN



1 Scintillements de couleur jaune.
2 Couleur bleu foncé. 3 Bleu vif.

JAUNE OU IRRÉGULIER



En cas de chute soudaine ou de problème de flamme faible, veuillez vous référer au chapitre Dépannage.

SI L'ALLUMAGE NE SE PRODUIT PAS DANS LES 5 SECONDES :

ÉTAPE 01 Éteignez le bouton de commande du brûleur.

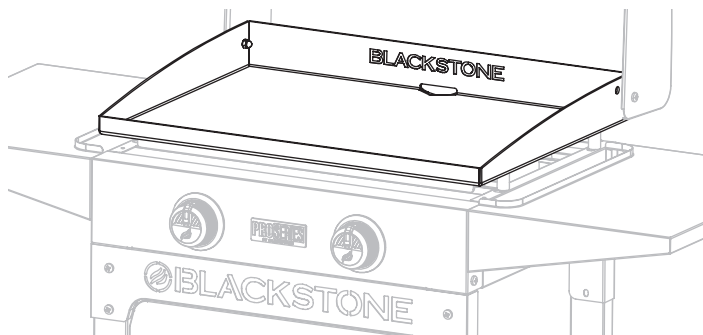
ÉTAPE 02 Attends 5 minutes.

ÉTAPE 03 Répétez la procédure d'éclairage.

Si le brûleur ne s'allume pas, veuillez vous référer au chapitre Dépannage.



INSTRUCTIONS D'ASSAISONNEMENT POUR PLAQUE CHAUFFANTE



LAVER LE DESSUS DE VOTRE PLANCHA AVANT LA PREMIÈRE UTILISATION

AVIS

Le savon ruinerait une plaque chauffante assaisonnée. C'est la seule fois où vous devez utiliser du savon sur la surface de cuisson de la plaque chauffante.

ÉTAPE 01 Lavez la surface de cuisson de la plaque chauffante avec de l'eau chaude savonneuse.

ÉTAPE 02 Rincez et séchez complètement.

ASSAISONNER VOTRE PLANCHA



DIDACTICIEL VIDÉO

Comment assaisonner une nouvelle plaque chauffante Blackstone
[youtube.com/watch?v=VspmDVnj2pl&t=3s](https://www.youtube.com/watch?v=VspmDVnj2pl&t=3s)

ÉTAPE 01 Essuyez tous les débris du dessus de la plaque chauffante.



ÉTAPE 02 Réglez votre plaque chauffante à feu vif jusqu'à ce que le dessus de votre plaque chauffante change de couleur. (~10 minutes)



ÉTAPE 03 Utilisez des pinces pour tenir une serviette en papier ou un chiffon en coton et étalez 2 à 3 cuillères à soupe de votre huile d'assaisonnement sur tout le dessus de la plaque chauffante.

Lorsque vous assaisonnez le dessus de votre plaque chauffante, n'oubliez pas d'utiliser une couche d'huile fine et uniforme - plus la couche d'huile est fine, plus il sera facile de la brûler.



ÉTAPE 04 Le dessus de la plaque chauffante est prêt pour une autre couche d'huile lorsqu'il cesse de fumer. Répétez L'ÉTAPE 03 3 à 4 fois ou jusqu'à ce que la surface de la plaque chauffante soit noire.



AVIS

Ne rangez aucun objet à moins de 8 cm (3 po) du dessus de la plaque chauffante pendant son utilisation.

QUELLE HUILE EST PRÉFÉRABLE D'UTILISER?

- Blackstone Seasoning and Cast Iron Conditioner.
- Toute huile de cuisson à base de plantes.
- Graisse animale fondue sans additifs.



ATTENTION

Jetez correctement les chiffons/serviettes utilisés pour répandre l'huile sur votre plaque chauffante afin d'éviter les incendies qui pourraient survenir en raison d'une combustion spontanée.

Dans de bonnes conditions, l'huile résiduelle sur les chiffons ou les serviettes peut s'oxyder longtemps après avoir été retirée d'une source de chaleur. Le processus d'oxydation lui-même produit de la chaleur qui, si elle n'est pas dissipée, peut s'accumuler et provoquer l'inflammation des chiffons/serviettes et des matériaux environnants.

DÉPANNAGE DE L'ASSAISONNEMENT

IL Y A UN RÉSIDU BRUNÂTRE SUR LA SURFACE DE LA PLAQUE CHAUFFANTE:

CAUSES POSSIBLES

- Trop d'huile a été utilisée.
- Vous avez éteint le chauffage trop tôt.

LA SOLUTION

ÉTAPE 01 Allumez votre plaque chauffante à feu vif et laissez-la chauffer pendant 10 à 15 minutes.

ÉTAPE 02 Grattez autant que possible l'huile épaissie et partiellement cuite.

ÉTAPE 03 Réassaisonnez avec une très fine couche d'huile.

LES BORDS DE LA SURFACE DE LA PLAQUE CHAUFFANTE NE SONT PAS NOIRS:

Après avoir utilisé votre plaque chauffante pour plusieurs cuisiniers, l'assaisonnement s'uniformisera et s'améliorera.

PRÉVENTION DE LA ROUILLE

Utilisez fréquemment votre plancha. Chaque fois que vous cuisinez, vous ajoutez de l'assaisonnement, ce qui rend la rouille moins probable.

AVIS

Si vous vivez dans un climat humide ou côtier, votre plancha peut nécessiter des assaisonnements plus fréquents entre les utilisations.

Si de la rouille apparaît sur la surface de la plaque chauffante, frottez-la avec de la laine d'acier, du papier de verre à faible grain ou la **Blackstone Pumice Stone** et ré-assaisonnez la surface.



DIDACTICIEL VIDÉO

Récupération de votre plaque chauffante Blackstone
[youtube.com/watch?v=thPE2lgnSil](https://www.youtube.com/watch?v=thPE2lgnSil)

CUISINER SUR VOTRE BLACKSTONE

⚠ ATTENTION

Cet appareil sera chaud pendant et après utilisation. Utilisez des ustensiles à long manche et des gants de cuisine/ gants de protection lors de la manipulation de pièces potentiellement chaudes pour vous protéger contre les brûlures et les éclaboussures.

RECETTES VIDÉO

Trouvez des recettes et des conseils de cuisine sur:

🌐 BlackstoneProducts.com/recipes

▶ youtube.com/BlackstoneGriddles

📱 [@blackstoneproducts](https://www.instagram.com/blackstoneproducts)



PANCAKES AUX FRAISES ET À LA CRÈME
Petit-déjeuner

BURGER AUX OIGNONS FRITS DE L'OKLAHOMA
Déjeuner



TACOS BORRACHOS
Dîner

NETTOYER LE DESSUS DE VOTRE PLANCHA

Nettoyez le dessus de la plaque chauffante après chaque utilisation, pendant qu'il est encore chaud.

- N'UTILISEZ PAS de savon sur le dessus de la plaque chauffante. Cela détruira l'assaisonnement de la plaque chauffante.



DIDACTICIEL VIDÉO

Comment nettoyer votre plaque chauffante Blackstone
▶ youtube.com/watch?v=-ledu9z6NPY

ÉTAPE 01 Poussez les débris alimentaires dans le bac à graisse avec une spatule ou un grattoir métallique droit.



ÉTAPE 02 Essuyez le dessus de la plaque chauffante avec une serviette en papier.



ÉTAPE 03 Appliquez quelques cuillères à soupe d'eau sur la surface de la plaque chauffante, puis raclez l'eau et les débris dans le bac à graisse. (Pour les résidus alimentaires collés, utilisez un peu de gros sel.)



ÉTAPE 04 Essuyez à nouveau avec une serviette en papier et séchez complètement.



ÉTAPE 05 Appliquez une fine couche d'huile de cuisson pour maintenir l'assaisonnement et protéger le dessus de la plaque chauffante.



VIDEZ VOTRE GODET À GRAISSE

Le bac à graisse doit être retiré et vidé après chaque utilisation.

⚠ ATTENTION

Le bac à graisse sera chaud pendant et après l'utilisation. Ne retirez pas le bac à graisse tant que la plaque chauffante n'est pas complètement refroidie.



ENTRETIEN ET MAINTENANCE

⚠ AVERTISSEMENT

L'accumulation de graisse peut provoquer un incendie. Nettoyez toute partie de l'appareil qui devient chaude et qui subit une accumulation de graisse après chaque utilisation.

⚠ ATTENTION

Tout le nettoyage et l'entretien doivent être effectués lorsque l'appareil est froid et que tout est éteint.

- N'UTILISEZ PAS de tampon abrasif sur les zones comportant des graphiques.
- Si une brosse à poils est utilisée pour nettoyer l'une des surfaces de cuisson, assurez-vous qu'aucun poil lâche ne reste sur les surfaces de cuisson avant la cuisson.

CORPS DE L'APPAREIL:

Laver à l'eau tiède savonneuse et essuyer immédiatement avec un chiffon non abrasif. (Ne laissez pas les agents de nettoyage reposer sur une surface poreuse pendant une période prolongée.)

AVIS

N'UTILISEZ PAS de Citrisol, de nettoyeurs abrasifs ou de nettoyant concentré sur l'appareil. Cela peut entraîner des dommages et une défaillance des pièces.

STOCKAGE D'APPAREILS

⚠ AVERTISSEMENT

Ne déplacez pas l'appareil pendant son utilisation. Laissez l'appareil refroidir à 115°F (45°C) avant de le déplacer ou de le ranger.

Le stockage d'un appareil à l'intérieur n'est autorisé que si l'alimentation en gaz est coupée et retirée de l'appareil.

GUIDE D'AJUSTEMENT DE COUVERTURE

Couvrez toujours votre appareil lorsqu'il est rangé à l'extérieur.



Pour trouver une housse adaptée à votre appareil, visitez BlackstoneProducts.com/support.

DÉPANNAGE

DÉPANNAGE D'ALLUMAGE

LE BRÛLEUR NE S'ALLUME PAS:

Si l'allumage ne se produit pas dans les 5 secondes:

ÉTAPE 01 Éteignez le bouton de commande du brûleur.

ÉTAPE 02 Attendez 5 minutes.

ÉTAPE 03 Répétez la procédure d'allumage.

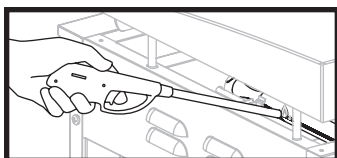
Si cela ne fonctionne pas, pour en déterminer la cause, essayez d'allumer votre appareil avec une allumette.

INSTRUCTIONS D'ALLUMAGE DES ALLUMETTES

Avant de commencer, vérifiez les fuites de gaz. Ouvrez le capot (le cas échéant).

ÉTAPE 01 Tourner le bouton de commande en position OFF.

ÉTAPE 02 Allumez une allumette (ou un long briquet) d'au moins 11 pouces de long.



ÉTAPE 03 Placez la flamme sur le côté droit ou gauche du brûleur.

ÉTAPE 04 Poussez et tournez le bouton de commande pour faire couler le gaz. Assurez-vous que le brûleur s'allume et reste allumé.

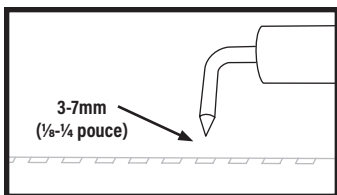
SI VOUS POUVEZ ALLUMER VOTRE APPAREIL AVEC UNE ALLUMETTE:

CAUSES POSSIBLES

Fil d'allumage mal aligné.

LA SOLUTION

Assurez-vous que l'aiguille de l'allumeur est positionnée à 3-7 mm (1/8-1/4 pouce) du brûleur et alignée avec les trous du brûleur.



Dommages au système d'allumage.

Contactez le service client pour les pièces de rechange.

SI VOUS NE PARVEZ PAS À ALLUMER VOTRE APPAREIL AVEC UNE ALLUMETTE:

CAUSES POSSIBLES

Les tubes de brûleur ne reçoivent pas de combustible.

LA SOLUTION

Nettoyez l'ensemble du brûleur pour éliminer l'obstruction.

DÉPANNAGE DU DÉBIT DE GAZ

LES FLAMMES DU BRÛLEUR SONT JAUNES OU IRRÉGULIÈRES:

- L'appareil n'atteint pas une chaleur élevée ou chauffe de manière inégale.
- Les flammes du brûleur commencent à être fortes, puis chutent immédiatement au niveau bas même lorsque le brûleur est réglé en position haute.
- La hauteur de la flamme diminue lorsqu'un deuxième brûleur est allumé.
- Les flammes ne s'étendent pas sur toute la longueur du brûleur ou ne circulent que d'un côté du brûleur.
- Les flammes du brûleur sont irrégulières.

CAUSES POSSIBLES

Obstructions dans le brûleur, les jets de gaz ou la rampe de carburant.

La bouteille de gaz est vide ou presque vide.

Le limiteur de débit du régulateur s'est déclenché.

LA SOLUTION

Nettoyez le brûleur, les jets et le tuyau de gaz.

Remplissez ou remplacez la bouteille de gaz.

Réinitialisez le système de sécurité:

ÉTAPE 01 Éteignez l'appareil, fermez le robinet de la bouteille de GPL et déconnectez le régulateur de la bouteille de GPL.

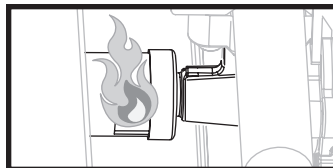
ÉTAPE 02 Attendez cinq minutes pour permettre à la pression de se dissiper, puis reconnectez le régulateur à la bouteille de GPL et ouvrez lentement le volant OPD d'un demi-tour.

ÉTAPE 03 Allumez votre appareil.

Détendeur bloqué en position de sécurité.

Contact customer service for replacement parts.

UNE FLAMME SORT DE LA GRILLE D'AÉRATION:



CAUSES POSSIBLES

Quelque chose bloque le venturi dans le tube du brûleur.

LA SOLUTION

Nettoyez l'ensemble du brûleur pour éliminer l'obstruction.



NETTOYAGE DE L'ENSEMBLE BRÛLEUR

Pour réduire les risques de « retour de flamme », la procédure ci-dessous doit être suivie au moins une fois par mois lorsque les araignées sont les plus actives ou lorsque votre appareil n'a pas été utilisé pendant une période de temps.



DIDACTICIEL VIDÉO

Comment nettoyer votre tube de brûleur
 ▶ [youtube.com/watch?v=xKQTCrFCzf8](https://www.youtube.com/watch?v=xKQTCrFCzf8)

ÉTAPE 01 Assurez-vous que le gaz est éteint au niveau des boutons de commande et de l'alimentation en gaz. Retirez le dessus de la plaque chauffante.

ÉTAPE 02 Détachez et retirez soigneusement le brûleur.



ÉTAPE 03 Nettoyez l'intérieur du brûleur:

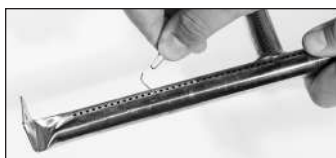
- a. Passez une brosse à bouteille (pas une brosse métallique) ou un fil rigide plié en un petit crochet à travers chaque tube de brûleur plusieurs fois.
- b. Utilisez de l'air comprimé pour souffler à travers le tube du brûleur et les orifices du brûleur (portez des lunettes de protection).



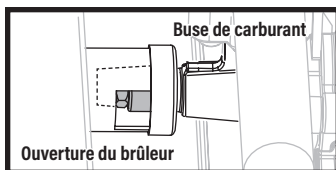
ÉTAPE 04 Brossez toute la surface extérieure du brûleur pour enlever la saleté.



ÉTAPE 05 Nettoyez tous les ports bloqués avec un fil rigide tel qu'un trombone ouvert.



ÉTAPE 06 Remplacez soigneusement les brûleurs et rattachés-les, en faisant attention à l'emplacement de l'aiguille d'allumage.



⚠ La buse de carburant de la rampe de gaz doit être réengagée dans l'ouverture du brûleur.

SERVICE CLIENTS

Visitez-nous en ligne sur [BlackstoneProducts.com/support](https://www.BlackstoneProducts.com/support) pour obtenir de l'aide concernant l'utilisation de l'appareil, les pièces de rechange ou votre garantie.

HEURES D'OUVERTURE DU SERVICE CLIENT:

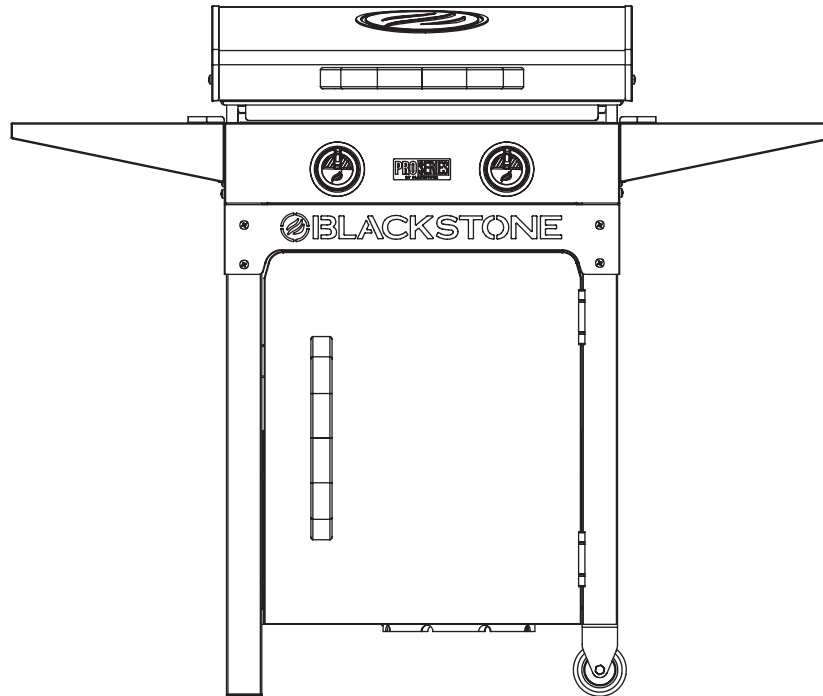


Lundi vendredi
 7h00 - 17h00 (heure des montagnes)



Ce produit peut être couvert par un ou plusieurs brevets américains et/ou internationaux délivrés et peut inclure des demandes de brevet en instance. Pour plus d'informations, rendez-vous sur: BlackstoneProducts.com/patents

MODELOS: 2358 - 2359 - 2360 v03



ESPAÑOL

MANUAL DEL PROPIETARIO

PLANCHA DE 22" CON CAPOTA Y ARMARIO

TABLA DE CONTENIDO

INFORMACION DE SEGURIDAD IMPORTANTE	02
GARANTÍA	03
GUÍA DE MONTAJE.....	04
USANDO SU BLACKSTONE.....	11
SOLUCIÓN DE PROBLEMAS.....	18



Para obtener la última versión de este manual, escanee este código o visite BlackstoneProducts.com/support

IMPORTANTE:

Este manual de instrucciones contiene información importante necesaria para el correcto montaje y uso seguro del aparato.

Lea y siga todas las advertencias e instrucciones antes de ensamblar y usar el aparato.

Siga todas las advertencias e instrucciones cuando utilice el aparato.

Guarde este manual para referencia futura.

Instalador/Ensamblador: Deje estas instrucciones con el consumidor.

CLAVE DE ALERTA DE SEGURIDAD

⚠ PELIGRO

Indica una situación peligrosa que, si NO SE evita, provocará la muerte o lesiones graves.

⚠ ATENCIÓN

Indica una situación peligrosa que, si NO SE evita, podría provocar lesiones leves o moderadas.

⚠ ADVERTENCIA

Indica una situación peligrosa que, si NO SE evita, podría provocar la muerte o lesiones graves.

AVISO

Indica información que se considera importante, pero no relacionada con peligros (por ejemplo, mensajes relacionados con daños a la propiedad).

INFORMACION DE SEGURIDAD IMPORTANTE

ESPAÑOL

⚠ PELIGRO

Si huele a gas:

- Cierre el suministro de gas al aparato.
- Apague cualquier llama abierta.
- Abra el capó (si corresponde).
- Si el olor continúa, manténgase alejado del aparato y llame inmediatamente a su proveedor de gas o al departamento de bomberos.

El incumplimiento de estas instrucciones podría provocar incendios o daños a la propiedad, lesiones personales o la muerte.

⚠ PELIGRO

- NUNCA opere este aparato sin supervisión.
- Si ocurriera un incendio, manténgase alejado del aparato y llame inmediatamente a los bomberos. NO INTENTE extinguir un incendio de aceite o grasa con agua.
- NUNCA opere este aparato a menos de 25 pies (7,5 m) de cualquier líquido inflamable.

El incumplimiento de estas instrucciones podría provocar incendios o daños a la propiedad, lesiones personales o la muerte.

⚠ ADVERTENCIA

- No almacene ni use gasolina u otros líquidos o vapores inflamables cerca de este o cualquier otro aparato.
- Un cilindro de GLP que no esté conectado para su uso no debe almacenarse cerca de este ni de ningún otro aparato.

SEGURIDAD DE LOS APARATOS DE GAS

- El uso de alcohol, medicamentos recetados o de venta libre puede afectar la capacidad del consumidor para ensamblar correctamente u operar de manera segura el electrodoméstico.
- Mantenga a los niños y las mascotas alejados del aparato en todo momento.
- Tenga a mano un extintor de incendios tipo BC o ABC.

NO LO USE PARA FINES DISTINTOS A LOS PREVISTOS.

- Sólo para uso doméstico en exteriores, no para uso comercial.
- NO UTILICE este aparato como calentador.

⚠ ADVERTENCIA

La instalación, el uso, el ajuste, la alteración, el servicio, la modificación o el mantenimiento inadecuados pueden causar lesiones o daños a la propiedad. Consulte este manual.

LA INSTALACIÓN DEBE CUMPLIR CON LOS CÓDIGOS LOCALES.

En ausencia de códigos locales, la instalación debe cumplir con ANSI Z223.1/NFPA 54, CSA B149.1 o CSA B149.2.

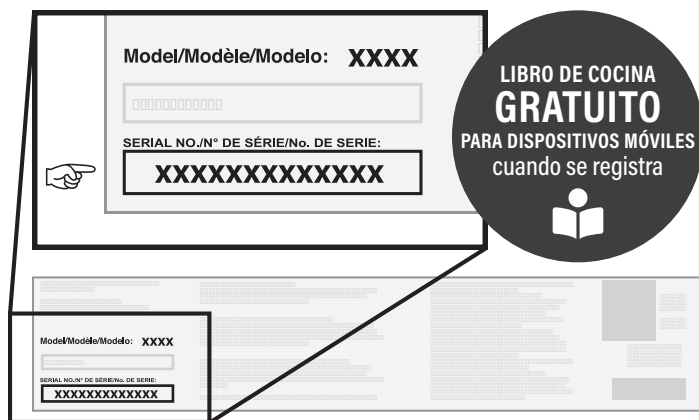


GARANTÍA

La garantía de 1 año de North Atlantic Imports LLC cubre las piezas de repuesto hasta un año después de la fecha de compra.

PARA HABILITAR ESTA GARANTÍA, DEBERÁ PROPORCIONAR:

☞ Número de serie de su electrodoméstico



El número de serie se puede encontrar en la etiqueta del fabricante de su electrodoméstico.
(La etiqueta del fabricante es una calcomanía plateada grande que se encuentra en el cuerpo de su electrodoméstico).



Registre su electrodoméstico en BlackstoneProducts.com/register

DESCRIPCIÓN GENERAL DE LA GARANTÍA

North Atlantic Imports, el fabricante, garantizará durante un año desde la compra todas las piezas, la mano de obra y los acabados. Será opción del fabricante reparar o reemplazar cualquiera de los elementos anteriores. Todas las garantías se limitan únicamente al comprador original. Esta garantía no cubre ninguna responsabilidad por parte de North Atlantic Imports, sus agentes o empleados, por daños indirectos o consecuentes por incumplimiento de la garantía. El comprador debe seguir las instrucciones de uso del fabricante. Bajo ninguna circunstancia, el fabricante es responsable de los daños causados por la falta de operación adecuada de la estación de cocción. Es responsabilidad del comprador establecer el período de garantía verificando la fecha de compra original con el recibo de compra original.

EXPLICACIÓN DETALLADA DE LA GARANTÍA.

North Atlantic Imports LLC garantiza al propietario que el producto cubierto por este acuerdo está libre de defectos de material y mano de obra en condiciones normales de uso y servicio para el que fue diseñado si, pero solo si, ha sido operado de acuerdo con North Atlantic Imports LLC instrucciones exclusivamente para uso doméstico, y no para club privado o público, instituciones o fines comerciales.

La obligación de North Atlantic Imports LLC en virtud de esta garantía se limita a reemplazar o reparar, sin cargo, cualquier pieza o piezas que puedan resultar, a satisfacción de North Atlantic Imports LLC, como defectuosas bajo el uso y servicio doméstico normal dentro de los siguientes períodos establecidos de tiempo a partir de la fecha de compra; durante un año a partir de la compra, todas las piezas, el acabado y la mano de obra. En caso de que se manifieste alguna falta de conformidad con esta garantía durante los períodos de garantía aplicables mencionados anteriormente, el comprador original debe notificar a North Atlantic Imports LLC sobre el incumplimiento de la garantía dentro del período de garantía aplicable.

North Atlantic Imports LLC, previa notificación y cumplimiento por parte del comprador original de dichas instrucciones, corregirá dicha falta de conformidad mediante la reparación o el reemplazo de la pieza o piezas defectuosas.

La corrección en la forma prevista anteriormente constituirá el cumplimiento de todas las obligaciones de North Atlantic Imports LLC con respecto a la calidad del producto.

North Atlantic Imports LLC no garantiza que este equipo cumpla con los requisitos de ningún código de seguridad de ningún estado, municipio u otra jurisdicción, y el comprador original asume todos los riesgos y responsabilidades que resulten del uso del mismo, ya sea que se use de acuerdo con North Atlantic Imports Instrucciones de LLC o de otra manera.

Esta garantía no cubre y pretende excluir cualquier responsabilidad por parte de North Atlantic, sus agentes, empleados o empleados, ya sea en virtud de esta garantía o implícitos por ley, por cualquier daño indirecto o consecuente por incumplimiento de cualquier garantía. El comprador debe establecer todos los períodos de garantía aplicables de conformidad con esta garantía al verificar la fecha de compra original al presentar el recibo de compra fechado. Esta garantía NO SE aplicará a este producto ni a ninguna otra parte del mismo que haya sido objeto de accidente, negligencia, alteración, abuso o mal uso, o que haya sido reparado o alterado sin el consentimiento por escrito de North Atlantic, fuera de la fábrica de North Atlantic Imports LLC. La garantía completa del fabricante no es válida para planchas compradas a revendedores externos sin licencia, compradas con descuento debido a piezas faltantes o dañadas, o compradas como modelo de piso; a discreción de North Atlantic Imports.

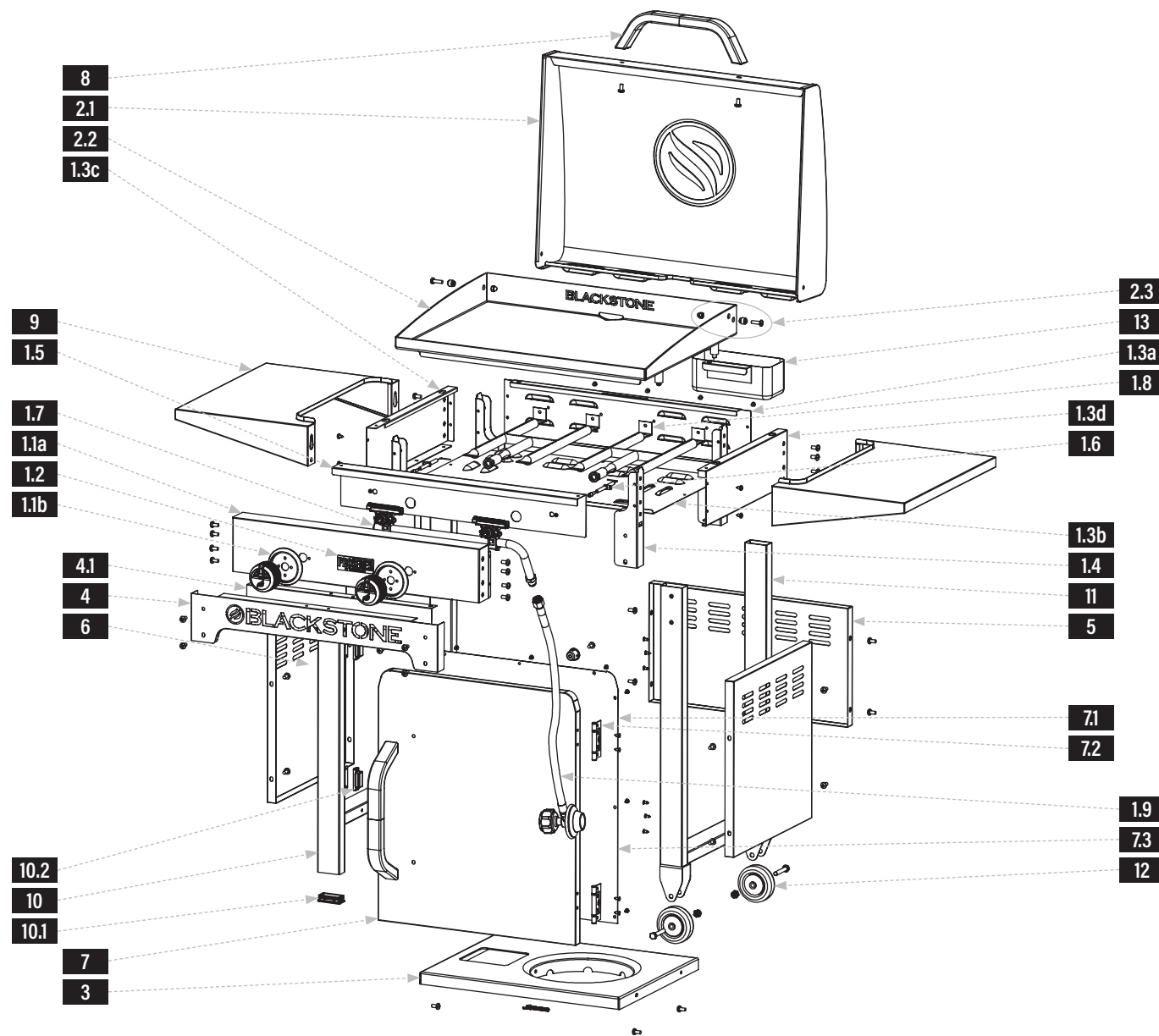
North Atlantic Imports LLC no ofrece garantía alguna con respecto a los accesorios o piezas que NO SE suministren con él. Esta garantía se aplicará únicamente dentro de los límites de los Estados Unidos de América y Canadá. Esta garantía otorga derechos específicos al comprador original, y el comprador original también puede tener otros derechos, que varían de un estado a otro.



GUÍA DE MONTAJE

VISTA EN DESPIECE ORDENADO

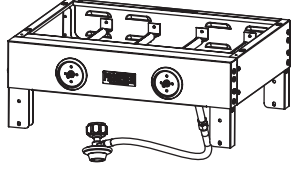
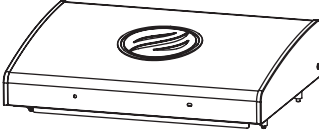
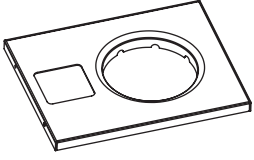

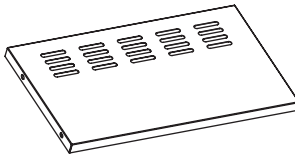
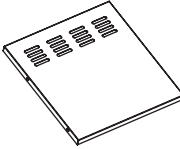
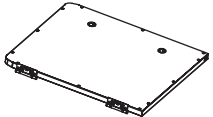
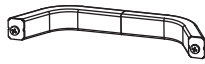
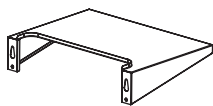
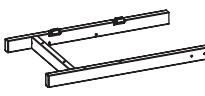
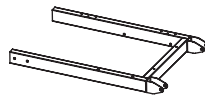
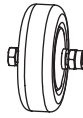
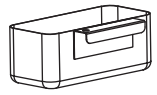
ESPAÑOL



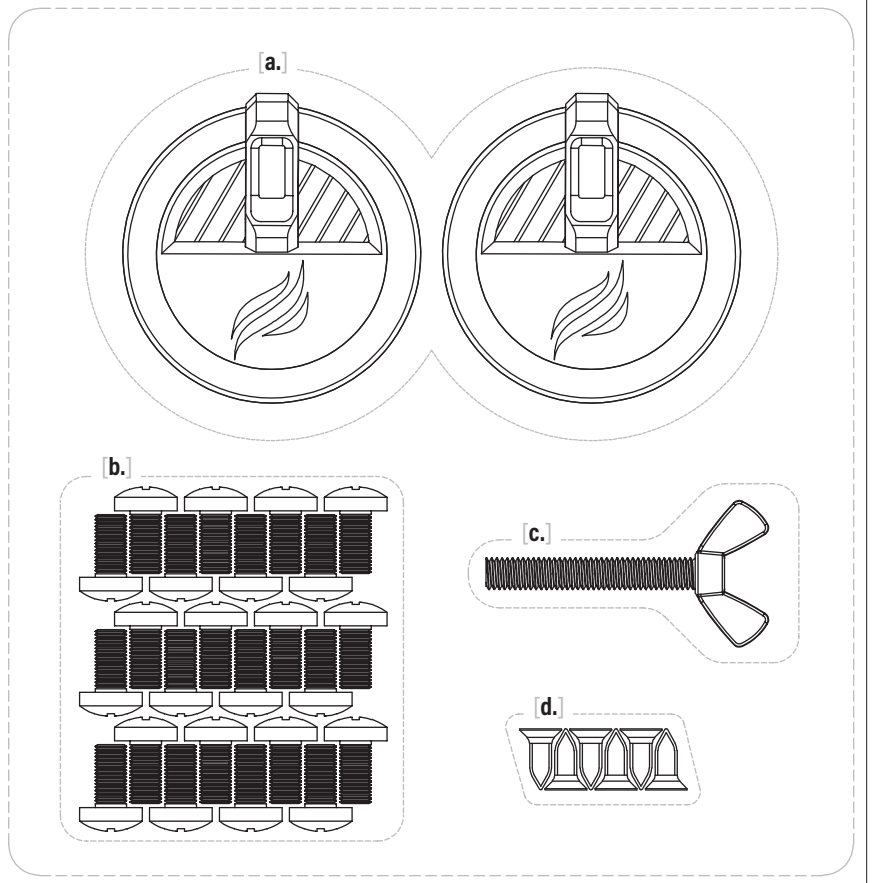
LISTA DE PARTES

PIEZAS	CTD	PIEZAS	CTD	PIEZAS	CTD	PIEZAS	CTD
1.1a Panel de control	1	1.3d Panel lateral derecho	1	1.9 Regulador	1	7.2 Bisagras de puerta	2
1.1b Biseles de perilla de control	2	1.4 U Placas de refuerzo	4	2.1 Capucha	1	7.3 Revestimiento del panel de la puerta	1
1.2 Insignia del logotipo	1	1.5 Panel deflector	1	2.2 Plancha superior	1	10.1 Gorras de pierna	2
1.3a Panel trasero	1	1.6 Agujas de encendido	2	2.3 Conjunto de bisagra del capó	2	10.2 Imanes	2
1.3b Panel inferior	1	1.7 Riel de gas	1	4.1 Panel de fondo	1		
1.3c Panel lateral izquierdo	1	1.8 Quemadores H	2	7.1 Tapas de mango	2		



<p>1 Corps (1 pièce)</p> 	<p>2 Plancha superior y capota (1 pieza)</p> 	<p>3 Conjunto de pierna derecha (1 pieza)</p> 			
<p>4 Panneau logo avant (1 pièce)</p> 	<p>5 Panel trasero (1 pieza)</p> 	<p>6 Paneles laterales (2 piezas)</p> 	<p>7 Conjunto de puerta (1 pieza)</p> 		
<p>8 Base del carro (1 pieza)</p> 	<p>9 Asas (2 piezas)</p> 	<p>10 Estantes laterales (2 piezas)</p> 	<p>11 Conjunto de pierna izquierda (1 pieza)</p> 	<p>12 Ruedas (2 piezas)</p> 	<p>13 Taza de grasa (1 pieza)</p> 

- 14** Hardware pack (1 piece)
- a. Perillas de control (2 piezas)
 - b. Pernos M6x12 (24 piezas)
 - c. Tornillo de mariposa (1 pieza)
 - d. Tornillos autorroscantes (6 piezas)



INSTRUCCIONES DE MONTAJE

Encuentre un área grande y limpia para ensamblar su electrodoméstico.
Retire todo el material de embalaje antes de ensamblar.

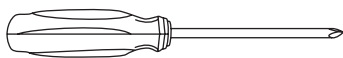
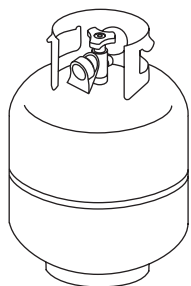
⚠ ATENCIÓN

Bordes afilados. Use guantes durante el montaje.

⚠ ATENCIÓN

Piezas pesadas. Dos personas deben armar este aparato.

ESPAÑOL



NO INCLUIDO:

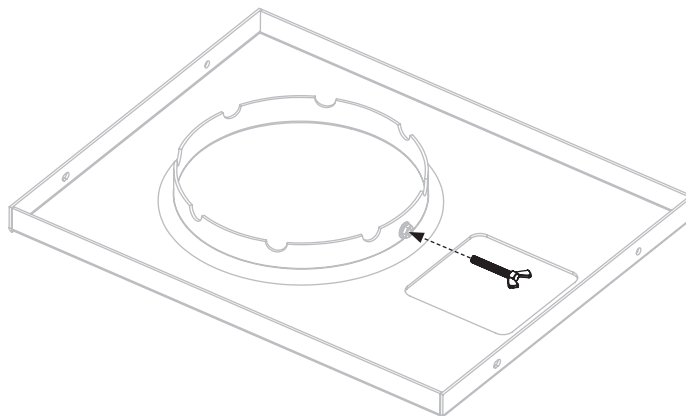
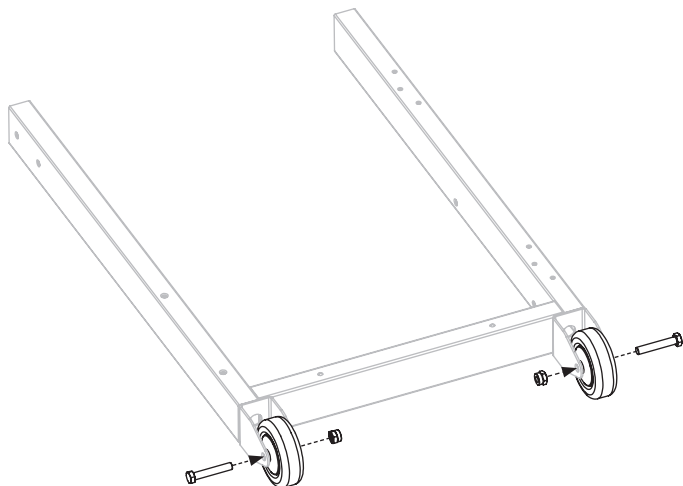
Cilindro de GLP
Tamaño: 45 x 30 cm (18 x 12 pulgadas),
9 kg (20 libras)
El cilindro de GLP debe incluir un collar para
proteger la válvula del cilindro de GLP.

HERRAMIENTA NECESARIA:

Destornillador de cabeza Phillips n.º 3

PASO 01 Retire el conjunto de la pata derecha del embalaje y colóquelo sobre una superficie lisa y plana.
Utilice los pernos y tuercas preinstalados en las ruedas para instalar las ruedas en la parte inferior del conjunto de la pata derecha.

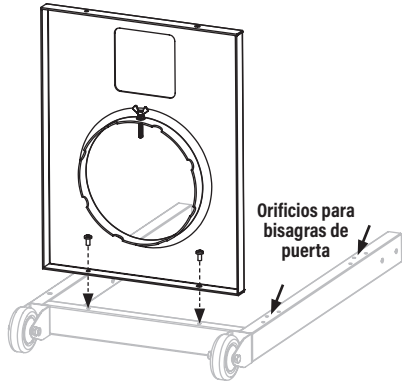
PASO 02 Retire la base del carro del embalaje y colóquela boca abajo sobre una superficie lisa y plana.
Enrosque el tornillo de mariposa [c.] en el soporte de propano.



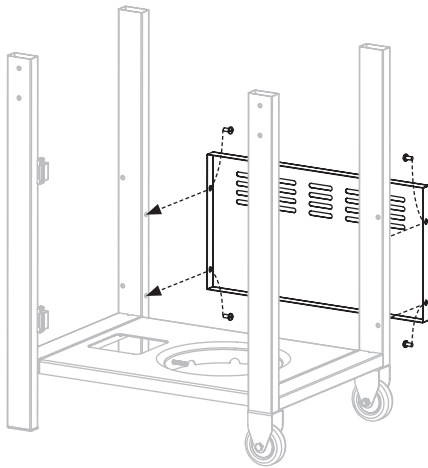


PASO 03 Con la ayuda de otra persona, use dos (2) pernos M6x12 [b.] para fijar el lado derecho de la base del carrito al conjunto de la pata derecha. (Nota: instale ambos tornillos sin apretar y luego apriételes).

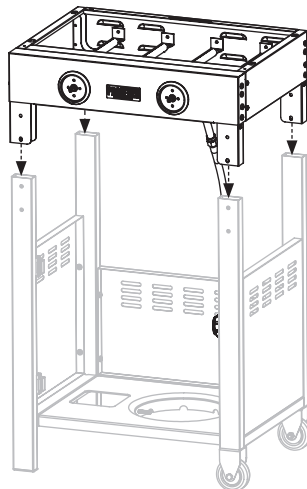
Asegúrese de que los orificios de las bisagras de la puerta estén orientados hacia el interior del carrito.



PASO 05 Con la ayuda de otra persona, coloque el carrito sobre sus pies. Utilice cuatro (4) pernos M6x12 [b.] para fijar sin apretar el panel trasero a los conjuntos de patas izquierda y derecha. No apriete completamente los pernos en este momento.

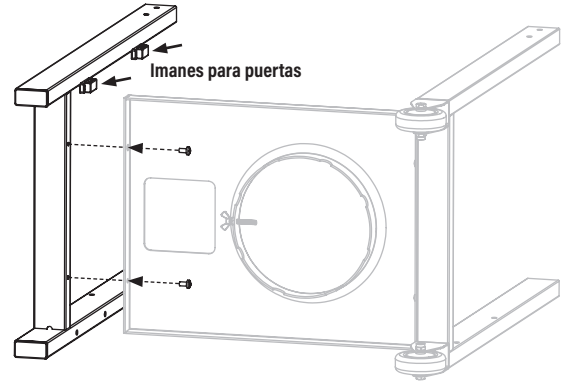


PASO 07 Con la ayuda de otra persona, coloque el cuerpo de la plancha en el carrito.

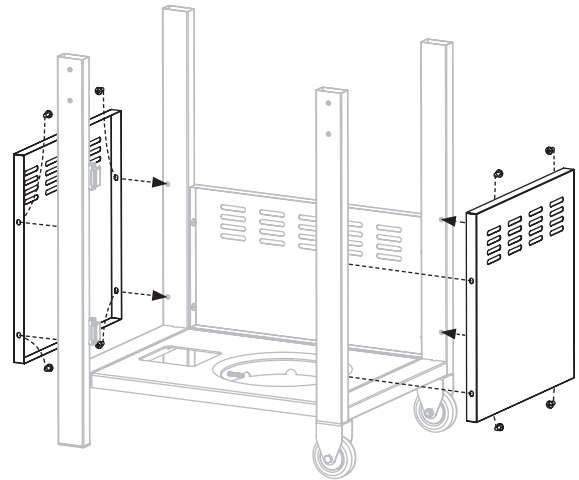


PASO 04 Con la ayuda de otra persona, use dos (2) pernos M6x12 [b.] para fijar el conjunto de la pata izquierda al lado izquierdo de la base del carrito. (Nota: instale ambos tornillos sin apretar y luego apriételes).

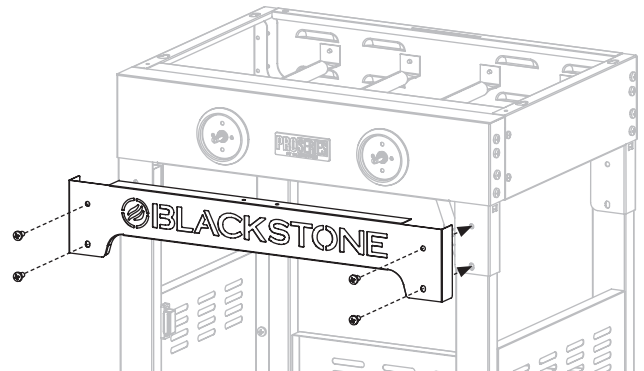
Asegúrese de que los imanes de la puerta estén orientados hacia el interior del carrito.



PASO 06 Utilice ocho (8) pernos M6x12 [b.] para fijar los dos (2) paneles laterales a los conjuntos de patas izquierda y derecha. No apriete completamente los pernos en este momento.

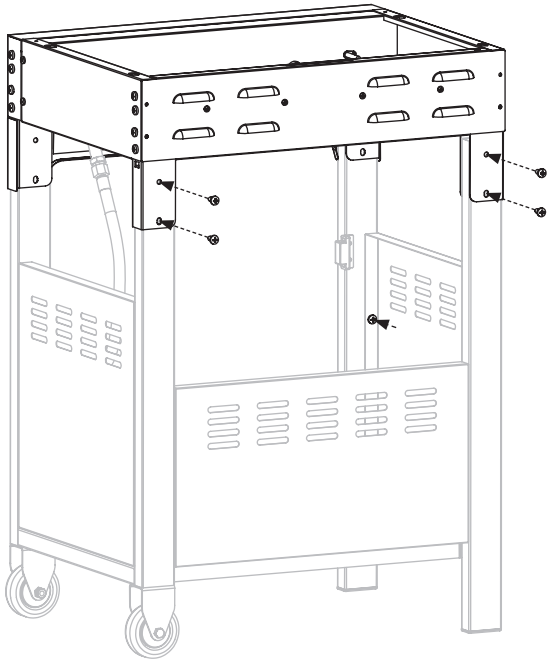


PASO 08 Utilice cuatro (4) pernos M6x12 [b.] para fijar el panel frontal con el logotipo al frente del cuerpo de la plancha. (Nota: instale todos los pernos sin apretarlos y luego apriételes).

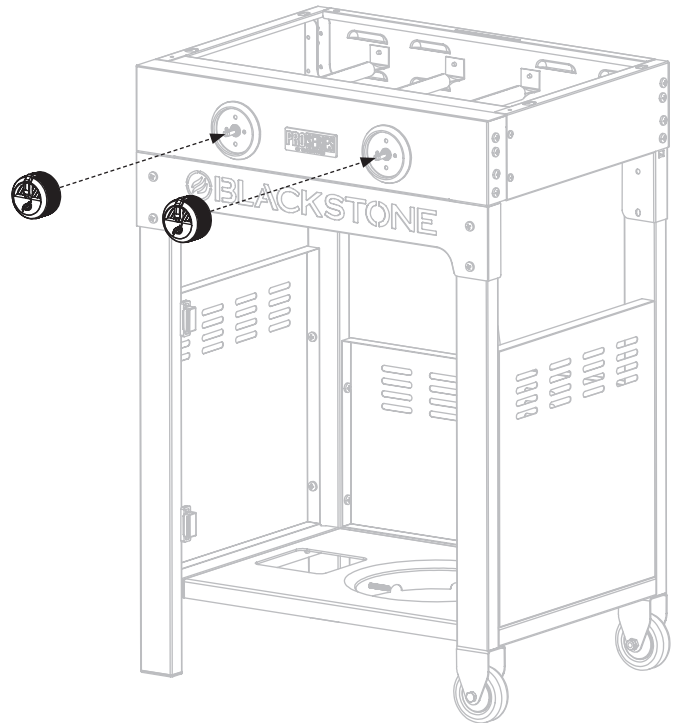


PASO 09 Utilice cuatro (4) pernos M6x12 [b.] para fijar el cuerpo de la plancha a los conjuntos de patas izquierda y derecha. (Nota: instale todos los tornillos sin apretarlos y luego apríételos).

Asegúrese de que las patas de la plancha estén niveladas sobre el suelo y apriete los doce (12) pernos M6x12 en los paneles trasero y lateral.

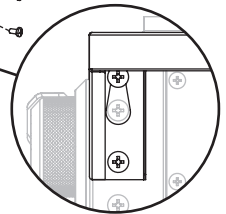
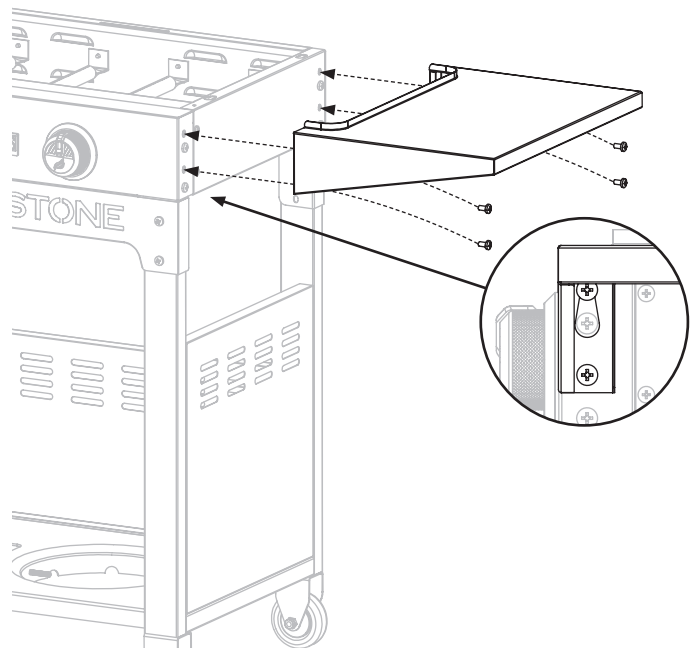
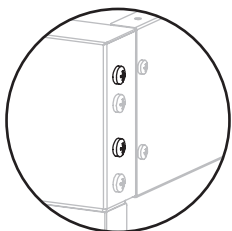


PASO 10 Instale las dos (2) perillas de control [a.] empujándolas hacia su lugar en la posición APAGADO.



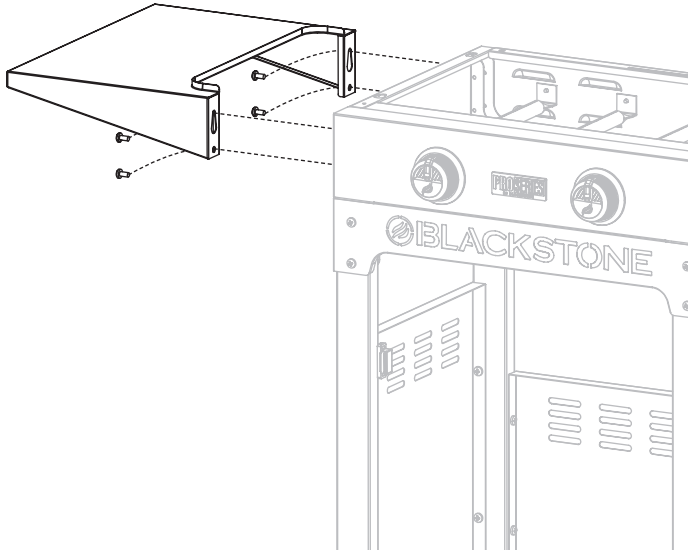
PASO 11 Retire los ocho (8) pernos M6x12 superiores y los segundos desde abajo a cada lado del cuerpo de la plancha.

PASO 12 Utilice cuatro (4) de los pernos M6x12 retirados para asegurar un (1) estante lateral al lado derecho del cuerpo de la plancha.





PASO 13 Utilice cuatro (4) de los pernos M6x12 retirados para asegurar un (1) estante lateral al lado izquierdo del cuerpo de la plancha.

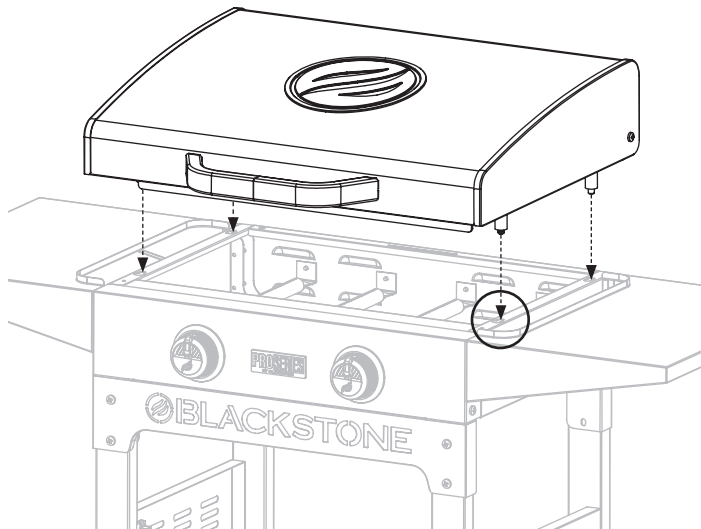


PASO 14 Utilice dos (2) pernos M6x12 [b.] para instalar una (1) manija en la parte delantera del capó.

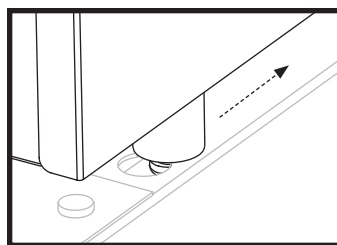


ESPAÑOL

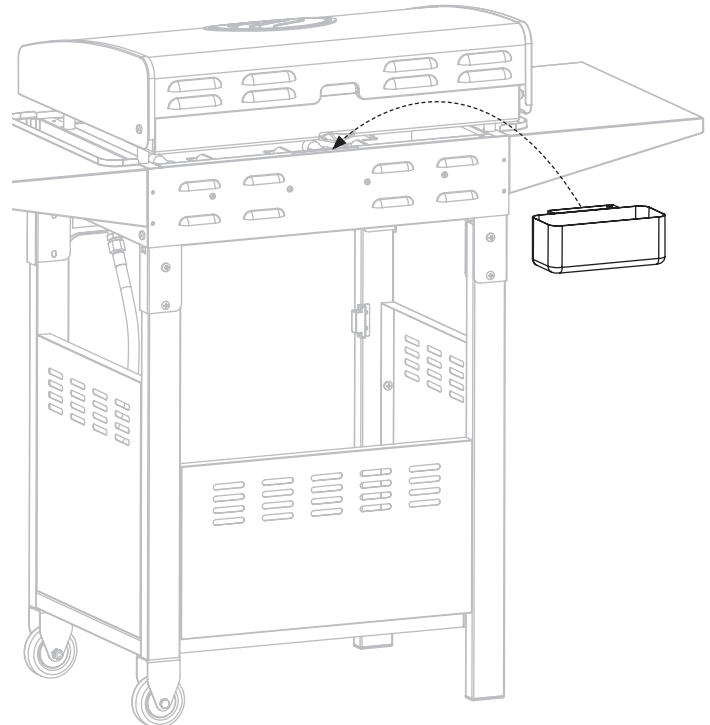
PASO 15 Con la ayuda de otra persona, coloque la parte superior de la plancha y la campana sobre el cuerpo de la plancha alineando las cuatro clavijas con los orificios en la parte superior del aparato.



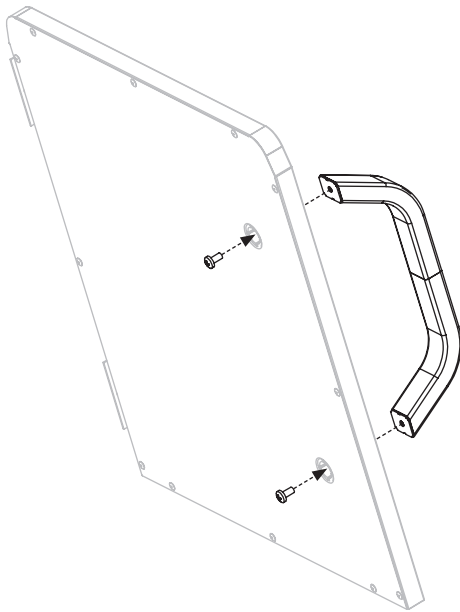
Make sure the front pins are seated in the holes, then push the griddle top back.



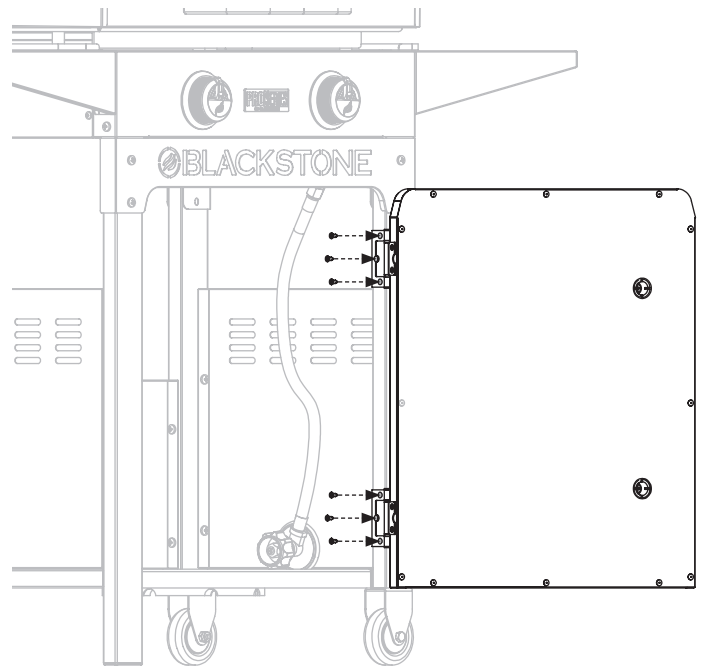
PASO 16 Cuelgue el recipiente para grasa en la ranura en la parte posterior del cuerpo de la plancha.



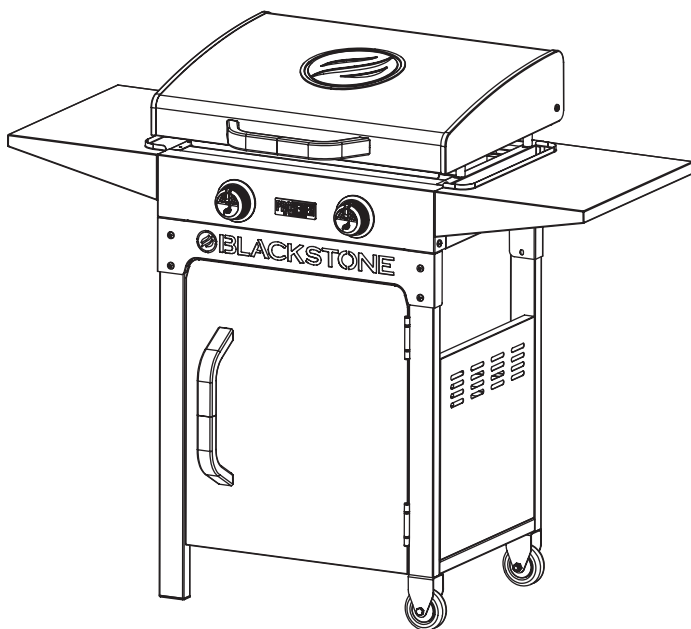
PASO 17 Utilice los dos (2) pernos M6x12 preinstalados en una (1) manija para instalar esa manija en el conjunto de la puerta.



PASO 18 Utilice seis (6) tornillos autorroscantes [d.] para fijar las bisagras del conjunto de la puerta al conjunto de la pata derecha.



PASO 19 Continúe con **USANDO SU BLACKSTONE.**



NOTICE

DO NOT leave the hood closed for more than 10 minutes while cooking.

NOTICE

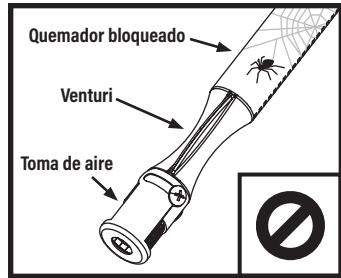
- Maximum weight on the side shelf is 10 lbs (4.5 kg).
- The side shelf may get hot while appliance is in use.

USANDO SU BLACKSTONE

ANTES DE COCINAR COMPROBAR QUEMADORES

Antes de la conexión y el uso, asegúrese de que no haya residuos atrapados ni daños en la cabeza del cilindro de gas, el regulador, la manguera, el quemador y los puertos del quemador.

Las arañas y los insectos pueden anidar dentro y obstruir el quemador/tubo venturi en el orificio.



⚠ ADVERTENCIA
Un quemador obstruido puede provocar un incendio debajo del aparato.
El quemador debe retirarse y limpiarse cada vez que se encuentren obstrucciones.



⚠ Asegúrese de que el orificio de la boquilla de combustible del riel de gas esté correctamente enganchado dentro de la abertura del quemador.

LA TEMPERATURA AMBIENTE MÍNIMA DE FUNCIONAMIENTO ES DE 0 °F (-18 °C).

⚠ PELIGRO
Los artículos inflamables pueden arder si se colocan cerca del aparato.
Mantenga el área del electrodoméstico despejada y libre de materiales combustibles, envases de aerosol, gasolina y otros vapores y líquidos inflamables.

⚠ ATENCIÓN
Si el aparato está equipado con un soporte para toallas de papel, el brazo debe estar en la posición abierta mientras el aparato está en uso.

SI GOTEA GRASA U OTRO MATERIAL CALIENTE SOBRE LA VÁLVULA, LA MANGUERA O EL REGULADOR:

- PASO 01** Cierre el suministro de gas inmediatamente.
- PASO 02** Determine la causa y corríjala.
- PASO 03** Limpie e inspeccione la válvula, la manguera y el regulador.
- PASO 04** Realice una prueba de fugas. (Consulte las instrucciones de prueba de fugas)

CONFIGURACIÓN DE SU ESPACIO AL AIRE LIBRE ESTE APARATO SOLO DEBE USARSE AL AIRE LIBRE.

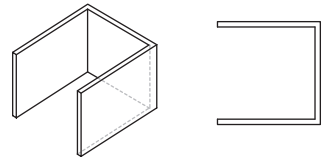
- NO USE este aparato dentro de edificios, garajes o cualquier otra área cerrada.
- NO INSTALE este aparato dentro o sobre un barco.
- NO INSTALE este aparato dentro o sobre un vehículo recreativo.

ÁREAS AL AIRE LIBRE PROTEGIDAS:

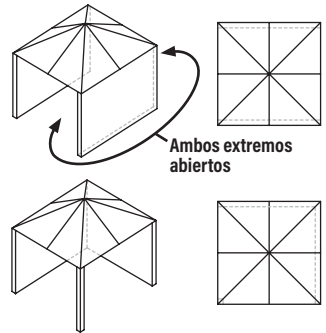
Todas las aberturas deben estar permanentemente abiertas; Las puertas correderizas, las puertas de garaje, las ventanas o las aberturas con mosquitero NO SE consideran aberturas permanentes.

Se considera que un electrodoméstico está al aire libre si se instala con una protección que no exceda de:

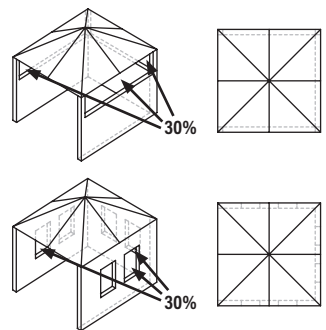
a. Con paredes en tres lados, pero sin cubierta superior.



b. Dentro de un recinto parcial que incluye una cubierta superior y no más de dos paredes laterales. Las paredes laterales pueden ser paralelas, como en un corredor, o en ángulo recto entre sí.

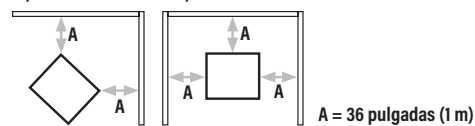


c. Dentro de un recinto parcial que incluye una cubierta superior y tres paredes laterales, siempre que el 30% o más de la periferia horizontal del recinto esté permanentemente abierta.



MANTENGA LAS DISTANCIAS ADECUADAS DEL MATERIAL COMBUSTIBLE:

- NO USE este electrodoméstico sobre o debajo de ningún apartamento o balcón o terraza de condominio.
- No obstruya el flujo de aire de combustión y ventilación.
- NO OPERE este aparato a menos de 36 pulgadas (1 m) desde los lados y la parte trasera del aparato hasta una construcción combustible.



- NO UTILICE este aparato bajo construcciones combustibles elevadas.

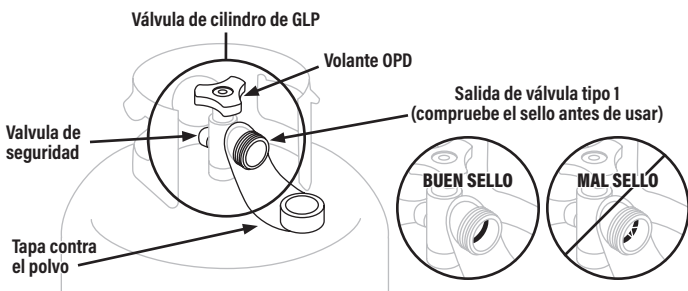
ESPAÑOL

REQUISITOS DEL CILINDRO DE GLP PARA CILINDROS DE 20 LB (9 KG)

- El cilindro de suministro de GLP que se utilizará debe estar construido y marcado de acuerdo con las especificaciones para cilindros de gas LP, Departamento de Transporte de EE. UU. (DOT) o el Estándar para Cilindros, Esferas y Tubos para el Transporte de Mercancías Peligrosas, CAN/CSA-B339.
- solo se deben usar cilindros de GLP marcados como "propano".
- El sistema de suministro de cilindros de GLP debe estar preparado para la extracción de vapor.
 - Mantenga siempre los cilindros de GLP nuevos en posición vertical durante su uso, transporte o almacenamiento.
 - Mantenga siempre las aberturas de ventilación de la caja del cilindro libres y sin residuos.

LA VÁLVULA DEL CILINDRO DE GLP DEBE TENER:

- Salida de válvula tipo 1 (rosca en el exterior).
- Válvula de seguridad.
- Dispositivo de protección contra sobrellenado (OPD) listado en UL. Esta característica de seguridad del OPD se identifica mediante un volante triangular exclusivo.
- Tapa de seguridad (tapa antipolvo).



El sello en la salida de la válvula tipo 1 podría, con el tiempo, mostrar un daño o deterioro marcado y visible que podría causar una fuga incluso con la conexión apretada.

- Se debe realizar una inspección visual del sello cada vez que se reemplace o rellene un cilindro de GLP.
- Cualquier cilindro de GLP que muestre signos de daño o deterioro como los ilustrados, incluidas grietas visibles y picaduras, debe devolverse sin usar al vendedor.

ALMACENAMIENTO DE CILINDROS DE GLP

⚠ ADVERTENCIA

No guarde un cilindro de GLP de repuesto debajo, cerca o dentro de este aparato.

No llene un cilindro de GLP más allá del 80% de su capacidad. Si NO SE sigue exactamente la información anterior, se puede producir un incendio que cause la muerte o lesiones graves.

- El cilindro de GLP debe estar APAGADO cuando el aparato no esté en uso.
- Los cilindros de GLP deben almacenarse al aire libre y fuera del alcance de los niños.
- No almacene un cilindro de GLP dentro de un edificio, garaje o cualquier otra área cerrada.

RELLENO E INTERCAMBIO

- Use solo aquellas empresas de intercambio acreditadas que inspeccionan, llenan con precisión, prueban y certifican sus cilindros. El distribuidor de GLP debe purgar el cilindro nuevo antes de llenarlo.
- El volumen de propano en el tanque variará según la temperatura.

⚠ ADVERTENCIA

Un regulador helado indica sobrellenado de gas. Cierre inmediatamente la válvula del cilindro de GLP y llame al distribuidor local de GLP para obtener ayuda.

- No liberar gas licuado de petróleo (GLP) a la atmósfera.
- Para eliminar el gas del cilindro de GLP, comuníquese con un distribuidor de GLP certificado o con el departamento de bomberos local para obtener ayuda.
- Cambie el tanque solo por un tanque equipado con características de seguridad OPD.

Su distribuidor puede ayudarlo a encontrar un cilindro de GLP de repuesto para su electrodoméstico.

INSTRUCCIONES DE PRUEBA DE FUGAS

- Haga una prueba de fugas en los cilindros de GLP nuevos y cambiados ANTES de conectarlos a la plancha.
- No fume durante la prueba de fugas.
- NO UTILICE una llama abierta para comprobar si hay fugas de gas.
- El electrodoméstico debe someterse a prueba de fugas al aire libre en un área bien ventilada, lejos de fuentes de ignición, como aparatos eléctricos o de gas.
- Durante la prueba de fugas, mantenga el aparato alejado de llamas abiertas o chispas.

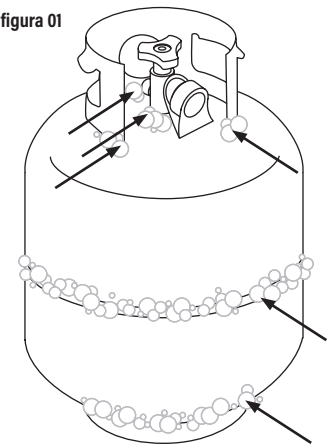
PRUEBA DE FUGAS: CILINDRO DE GLP

PASO 01 Use una brocha limpia para aplicar una solución de agua y jabón suave 10/90 en las áreas de unión del cilindro de GLP.

(Indicado por flechas en la figura 01.)

- Las fugas se indican mediante burbujas en crecimiento.

figura 01



⚠ ADVERTENCIA

Si aparecen burbujas en crecimiento durante la prueba de fugas, no use ni mueva el cilindro de GLP. Comuníquese de inmediato con un proveedor de GLP o con el departamento de bomberos.

ACCESORIOS Y MANGUERAS

- Se recomienda revisar y apretar anualmente los accesorios metálicos.
- Mantenga la manguera de suministro de combustible alejada de cualquier superficie caliente.
- Antes de cada uso, verifique si las mangueras están cortadas o desgastadas.
- Reemplace la manguera dañada antes de usar el aparato.

(Use solo piezas de repuesto aprobadas por Blackstone para la válvula, la manguera o el regulador. El incumplimiento anulará la garantía).



SEGURIDAD DEL REGULADOR

- Use este aparato, tal como lo compró, solo con el conjunto de gas y válvula/ regulador suministrado. NO USE accesorios de conexión rápida u otros complementos.
- NO cruce (fuerce en un ángulo inadecuado) la conexión entre el cilindro de GLP y el regulador.
- Si no puede conectar el regulador, no utilice el regulador.

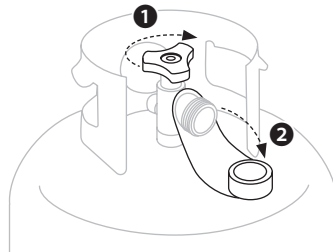
El regulador debe ser reemplazado por un modelo aprobado por Blackstone por un distribuidor autorizado con licencia profesional.

CONECTAR EL CILINDRO DE GLP UTILICE ÚNICAMENTE UN CILINDRO DE 20 LB (9 KG)

PASO 01 Gire las perillas de control a APAGADO.

1 Asegúrese de que el cilindro de GLP esté APAGADO girando el volante del OPD en el sentido de las agujas del reloj hasta que se detenga por completo.

2 Retire la tapa de seguridad de la salida de la válvula Tipo 1.

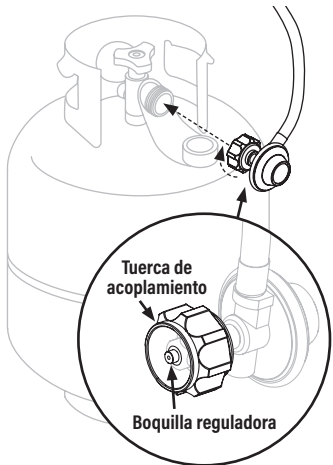


PASO 02 Sostenga el regulador en línea recta con la salida de la válvula Tipo 1 para no cruzar la rosca de la conexión.

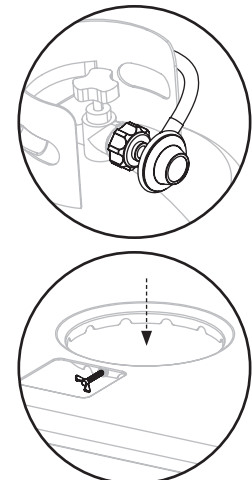
Centre e inserte la boquilla del regulador en la salida de la válvula Tipo 1.

Apriete a mano la tuerca de acoplamiento en el sentido de las agujas del reloj.

(NO USE herramientas para conectar). Si NO SE puede completar la conexión, desconecte el regulador y repita este paso



PASO 03 Coloque el cilindro de GLP en la base del carro. Apriete el tornillo de mariposa de la base del carro para asegurarlo al aparato.



La válvula de alivio de seguridad debe mirar hacia el lado opuesto al usuario mientras el aparato está en uso.

PRUEBA DE FUGAS: VÁLVULAS, MANGUERA Y REGULADOR

PASO 01 Gire las perillas de control a APAGADO.

PASO 02 Conecte el regulador al cilindro de GLP.

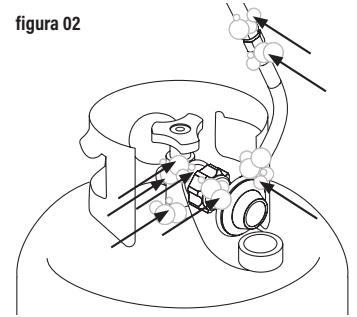
PASO 03 Abra completamente el tanque de GLP girando la rueda manual del OPD en el sentido contrario a las agujas del reloj.

- Si escucha un sonido acelerado, cierre el gas inmediatamente. Hay una fuga importante en la conexión.
- Cierre inmediatamente el cilindro de GLP girando el volante del OPD en el sentido de las agujas del reloj y vuelva a apretar las conexiones. Si NO SE pueden detener las fugas, NO INTENTE REPARAR.

PASO 04 Use una brocha limpia para aplicar una solución de agua y jabón suave 1% en las áreas de unión de las válvulas y el regulador. (Indicado por flechas en la figura 02.)

- Las fugas se indican mediante burbujas en crecimiento.
- Cierre inmediatamente el cilindro de GLP girando el volante del OPD en el sentido de las agujas del reloj y vuelva a apretar las conexiones.

figura 02



⚠ ADVERTENCIA

Si NO SE pueden detener las fugas, NO INTENTE repararlas. El regulador debe ser reemplazado por un modelo aprobado por Blackstone por un distribuidor autorizado con licencia profesional.

DESCONECTAR EL CILINDRO DE GLP

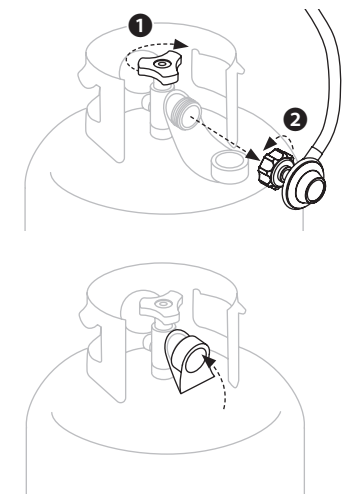
PASO 01 Asegúrese de que las perillas de control estén en la posición APAGADO.

1 Asegúrese de que el cilindro de GLP esté APAGADO girando el volante del OPD en el sentido de las agujas del reloj hasta que se detenga por completo.

2 Gire la tuerca de acoplamiento en sentido contrario a las agujas del reloj con la mano para quitar el regulador. (NO USE herramientas para desconectar.)

PASO 02 Coloque la tapa contra el polvo en la salida de la válvula del cilindro de GLP cuando el cilindro no esté en uso.

Instale únicamente el tipo de tapa de seguridad en la salida de la válvula del cilindro que se proporciona con la válvula del cilindro. Otros tipos de tapas o tapones pueden provocar fugas de propano.



INSTRUCCIONES DE ENCENDIDO

1. VÁLVULAS DE RETENCIÓN

PASO 01 Gire la perilla a la posición de APAGADO.

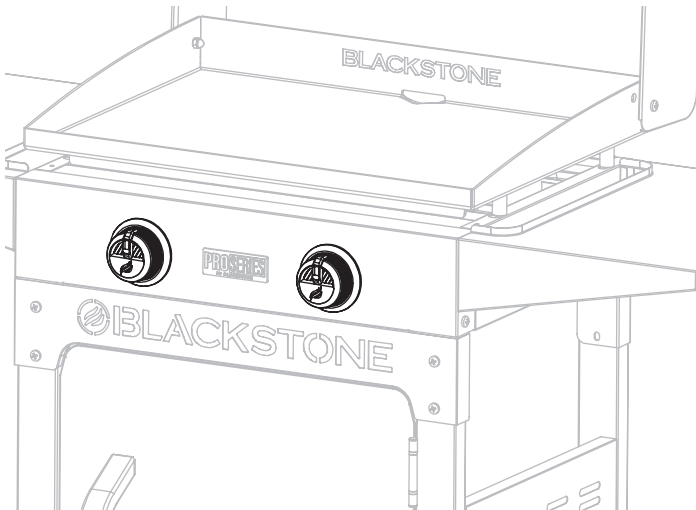
PASO 02 Empuje la perilla y suelte. La perilla debe retroceder. Si las perillas no retroceden, reemplace el ensamblaje de la válvula antes de usar el aparato.

PASO 03 Gire la perilla a BAJO y luego vuelva a APAGADO. La perilla debe girar suavemente.

⚠ ADVERTENCIA

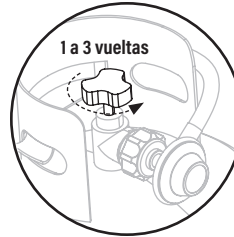
Si el quemador NO SE enciende con la válvula de suministro de gas abierta, el gas seguirá saliendo del quemador y podría encenderse accidental o inadvertidamente con riesgo de lesiones.

Asegúrese de que el gas esté cerrado en la válvula de cierre de suministro antes de revisar las válvulas del aparato.

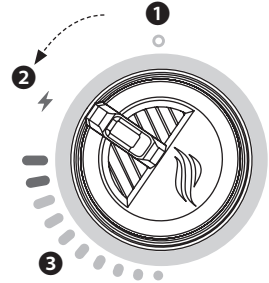


2. ENCENDIDO PIEZOELÉCTRICO DE LA PLANCHA

⚠ NO SE incline sobre el aparato mientras lo enciende.



PASO 01
Abra el gas girando el volante del cilindro de gas en sentido antihorario de 1 a 3 vueltas.



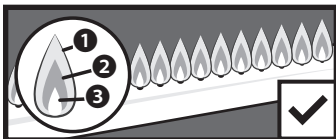
PASO 02
1 Presione la perilla de control para que comience a fluir el gas.
2 Gire la perilla de control en sentido antihorario para activar el motor de arranque.
3 Ajuste la temperatura al nivel deseado.

3. SIEMPRE REVISE LA LLAMA DEL QUEMADOR ANTES DE USARLO.

PASO 01 Encienda los quemadores y gire las perillas de ALTO a BAJO.

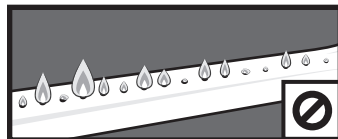
PASO 02 Mire debajo de la superficie de cocción para ver los quemadores. Cuando la perilla está en ALTO, las llamas deben ser más grandes que cuando la perilla está en BAJA.

PATRÓN DE LLAMA SALUDABLE



1 Párpadeos de color amarillo.
2 Color azul oscuro. **3** Azul vibrante.

AMARILLO O IRREGULAR



Si hay una caída repentina o un problema de llama baja, consulte el capítulo Solución de problemas.

SI EL ENCENDIDO NO OCURRE EN 5 SEGUNDOS:

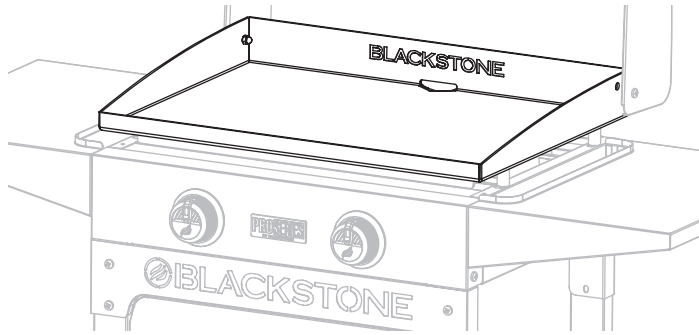
PASO 01 Apague la perilla de control del quemador.

PASO 02 Espere 5 minutos.

PASO 03 Repita el procedimiento de iluminación. Si el quemador NO SE enciende, consulte el capítulo Solución de problemas.



INSTRUCCIONES PARA SAZONAR LA PLANCHA



LAVADO DE LA PARTE SUPERIOR DE LA PLANCHA ANTES DEL PRIMER USO

AVISO
El jabón arruinará una plancha experimentada. Esta es la única vez que debe usar jabón en la superficie de cocción de la plancha.

PASO 01 Lave la superficie de cocción de la plancha con agua caliente y jabón.

PASO 02 Enjuague y seque completamente.

CONDIMENTAR TU PLANCHA



VIDEOTUTORIAL

Cómo sazonar una nueva plancha Blackstone
[youtube.com/watch?v=VspmDVnj2pl&t=3s](https://www.youtube.com/watch?v=VspmDVnj2pl&t=3s)

PASO 01 Limpie cualquier residuo de la parte superior de la plancha.



PASO 02 Configura tu plancha a fuego alto hasta que la parte superior de la plancha cambie de color. (~10 minutos)



PASO 03 Use pinzas para sostener una toalla de papel o un paño de algodón y extienda 2-3 cucharadas de su aceite de condimento en toda la parte superior de la plancha. Cuando sazone la parte superior de su plancha, recuerde usar una capa delgada y uniforme de aceite: cuanto más delgada sea la capa de aceite, más fácil será quemarla.



PASO 04 La parte superior de la plancha está lista para otra capa de aceite cuando deja de humear. Repita el PASO 03 3-4 veces, o hasta que la superficie de la plancha esté negra.



AVISO

No guarde ningún artículo a menos de 8 cm (3 pulgadas) de la parte superior de la plancha mientras esté en uso.

¿QUÉ ACEITE ES MEJOR USAR?

- Blackstone Seasoning and Cast Iron Conditioner.
- Cualquier aceite de cocina de origen vegetal.
- Grasa animal fundida sin aditivos.



ATENCIÓN

Deseche adecuadamente los trapos/toallas utilizados para esparcir el aceite sobre la plancha para evitar incendios que puedan ocurrir debido a la combustión espontánea.

En las condiciones adecuadas, el aceite residual en trapos o toallas puede oxidarse mucho después de haber sido retirado de una fuente de calor. El proceso de oxidación en sí produce calor que, si NO SE disipa, puede acumularse y causar que los trapos/toallas y el material circundante se enciendan.

SOLUCIÓN DE PROBLEMAS DE CONDIMENTOS HAY UN RESIDUO MARRÓN EN LA SUPERFICIE DE LA PLANCHA:

POSIBLES CAUSAS

- Se usó demasiado aceite.
- Apagaste la calefacción demasiado pronto.

SOLUCIÓN

PASO 01 Encienda su plancha a temperatura alta y déjela calentar durante 10-15 minutos.

PASO 02 Raspe la mayor cantidad de aceite espesado y parcialmente cocido que pueda.

PASO 03 Vuelva a sazonar con una capa muy fina de aceite.

LOS BORDES DE LA SUPERFICIE DE LA PLANCHA NO SON NEGROS:

Después de usar su plancha para cocinar varias veces, el condimento se nivelará y mejorará.

PREVENCIÓN DEL ÓXIDO

Use su plancha con frecuencia. Cada vez que cocina, está agregando condimentos, lo que hace que la oxidación sea menos probable.

AVISO

Si vive en un clima húmedo o costero, su plancha puede requerir curaciones más frecuentes entre usos.

Si aparece óxido en la superficie de la plancha, frótelo con lana de acero, papel de lija de grano bajo o **Blackstone Pumice Stone** y vuelva a secar la superficie.



VIDEOTUTORIAL

Recuperación de la tapa de su plancha Blackstone
[youtube.com/watch?v=thPE2lgnSil](https://www.youtube.com/watch?v=thPE2lgnSil)

COCINAR EN TU BLACKSTONE

⚠ ATENCIÓN

Este aparato estará caliente durante y después de su uso. Utilice utensilios de mango largo y manoplas/guantes protectores cuando manipule piezas potencialmente calientes para protegerse contra quemaduras y salpicaduras.

VÍDEO RECETAS

Encuentre recetas y consejos de cocina en:

🌐 BlackstoneProducts.com/recipes

📺 youtube.com/BlackstoneGriddles

📱 [@blackstoneproducts](https://www.instagram.com/blackstoneproducts)



TORTITAS DE FRESAS Y CREMA
Desayuno

HAMBURGUESA DE CEBOLLA FRITA DE OKLAHOMA
Almuerzo



TACOS BORRACHOS
Cena

LIMPIEZA DE LA PARTE SUPERIOR DE SU PLANCHA

Limpie la parte superior de la plancha después de cada uso, mientras aún esté caliente.

- NO USE jabón en la parte superior de la plancha. Esto destruirá el condimento de la plancha.

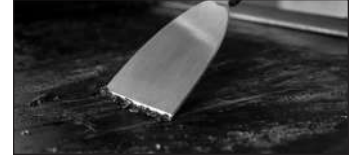


VIDEOTUTORIAL

HCómo limpiar su plancha Blackstone

📺 youtube.com/watch?v=-ledu9z6NPY

PASO 01 Empuje los restos de comida sueltos en el recipiente para la grasa con una espátula o un raspador de metal recto.



PASO 02 Limpie la parte superior de la plancha con una toalla de papel.



PASO 03 Aplique unas cuantas cucharadas de agua a la superficie de la plancha, luego raspe el agua y los residuos en el recipiente para la grasa. (Para los residuos de comida pegados, use un poco de sal gruesa).



PASO 04 Limpie nuevamente con una toalla de papel y seque completamente.



PASO 05 Aplique una fina capa de aceite de cocina para mantener la sazón y proteger la parte superior de la plancha.



VACÍA TU VASO DE GRASA

El recipiente para la grasa debe retirarse y vaciarse después de cada uso.

⚠ ATENCIÓN

La taza de grasa estará caliente durante y después del uso. NO RETIRE la taza de grasa hasta que la plancha se haya enfriado por completo.

ESPAÑOL



CUIDADO Y MANTENIMIENTO

⚠️ ADVERTENCIA

La acumulación de grasa puede provocar un incendio. Limpie cualquier parte del aparato que se caliente y experimente acumulación de grasa después de cada uso.

⚠️ ATENCIÓN

Toda la limpieza y el mantenimiento deben llevarse a cabo cuando el aparato esté frío y todo esté APAGADO.

- NO USE una almohadilla abrasiva en áreas con gráficos.
- Si se usa un cepillo de cerdas para limpiar cualquiera de las superficies de cocción, asegúrese de que no queden cerdas sueltas en las superficies de cocción antes de cocinar.

CUERPO DEL APARATO:

Lave con agua jabonosa tibia y seque inmediatamente con un paño no abrasivo. (No permita que los agentes de limpieza descansen sobre ninguna superficie porosa durante un período de tiempo prolongado).

AVISO

NO UTILICE Citrisol, limpiadores abrasivos o un limpiador concentrado en el aparato. Esto puede resultar en daños y fallas en las piezas.

ALMACENAMIENTO DE ELECTRODOMÉSTICOS

⚠️ ADVERTENCIA

No mueva el aparato cuando esté en uso. Deje que el aparato se enfríe a 115°F (45°C) antes de moverlo o almacenarlo.

El almacenamiento de un electrodoméstico en el interior solo está permitido si el suministro de gas está desconectado y retirado del electrodoméstico.

GUÍA DE AJUSTE DE LA CUBIERTA

Siempre cubra su electrodoméstico cuando lo guarde al aire libre.



Para encontrar una cubierta que se ajuste a su electrodoméstico, visite BlackstoneProducts.com/support.

SOLUCIÓN DE PROBLEMAS

SOLUCIÓN DE PROBLEMAS DE ENCENDIDO

EL QUEMADOR NO SE ENCIENDE:

Si NO SE enciende en 5 segundos:

PASO 01 Apague la perilla de control del quemador.

PASO 02 Espere 5 minutos.

PASO 03 Repita el procedimiento de encendido.

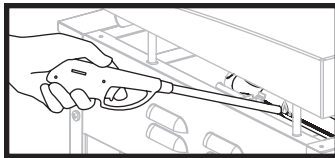
Si esto no funciona, para determinar la causa, intente encender su aparato con una cerilla.

INSTRUCCIONES PARA ENCENDER FÓSFOROS

Antes de comenzar, compruebe si hay fugas de gas. Abra el capó (si corresponde).

PASO 01 Gire la perilla de control a la posición APAGADO.

PASO 02 Encienda un fósforo (o un encendedor largo) de no menos de 11 pulgadas de largo.



PASO 03 Coloque la llama en el lado derecho o izquierdo del quemador.

PASO 04 Presione y gire la perilla de control para que empiece a fluir el gas. Asegúrese de que el quemador se encienda y permanezca encendido.

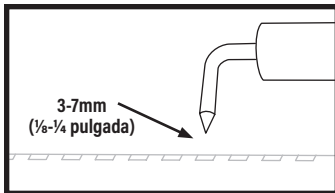
SI PUEDE ENCENDER SU ELECTRODOMÉSTICO CON UN FÓSFORO:

POSIBLES CAUSAS

Cable de encendido desalineado.

SOLUCIÓN

Asegúrese de que la aguja del encendedor esté colocada a 3-7 mm (1/8-1/4 pulgada) del quemador y alineada con los orificios del quemador.



Daños en el sistema de encendido.

Póngase en contacto con el servicio de atención al cliente para obtener piezas de repuesto.

SI NO PUEDE ENCENDER SU APARATO CON UN FÓSFORO:

POSIBLES CAUSAS

Los tubos de los quemadores no reciben combustible.

SOLUCIÓN

Limpie el conjunto del quemador para eliminar la obstrucción.

SOLUCIÓN DE PROBLEMAS DE FLUJO DE GAS

LAS LLAMAS DEL QUEMADOR SON AMARILLAS O IRREGULARES:

- El aparato no alcanzará una temperatura alta o calentará de manera desigual.
- Las llamas del quemador comienzan con fuerza, luego bajan inmediatamente a nivel bajo incluso cuando el quemador está en la posición alta.
- La altura de la llama desciende cuando se enciende un segundo quemador.
- Las llamas NO SE extienden por toda la longitud del quemador, o solo corren por un lado del quemador.
- Las llamas del quemador son inconsistentes.

POSIBLES CAUSAS

Obstrucciones en el quemador, chorros de gas o riel de combustible.

El cilindro de gas está vacío o bajo.

Se activó el dispositivo limitador de caudal del regulador.

SOLUCIÓN

Limpie el quemador, los surtidores y la manguera de gas.

Rellene o reemplace el cilindro de gas.

Restablecer el sistema de seguridad:

PASO 01 Apague el aparato, cierre la válvula del cilindro de GLP y desconecte el regulador del cilindro de GLP.

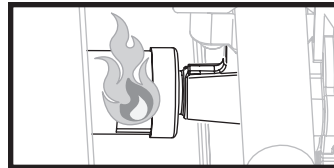
PASO 02 Espere cinco minutos para permitir que se disipe la presión, luego vuelva a conectar el regulador al cilindro de GLP y abra lentamente el volante OPD media vuelta.

PASO 03 Encienda su electrodoméstico.

Regulador atascado en posición de seguridad.

Póngase en contacto con el servicio de atención al cliente para obtener piezas de repuesto.

UNA LLAMA SALE DE LA PUERTA DE AIRE:



POSIBLES CAUSAS

Algo está bloqueando el venturi en el tubo del quemador.

SOLUCIÓN

Limpie el conjunto del quemador para eliminar la obstrucción.



LIMPIEZA DEL CONJUNTO DEL QUEMADOR

Para reducir la posibilidad de "retroceso de llama", se debe seguir el procedimiento a continuación al menos una vez al mes cuando las arañas están más activas o cuando su electrodoméstico NO SE ha utilizado durante un período de tiempo.



VIDEOTUTORIAL

Cómo limpiar el tubo de su quemador

▶ [youtube.com/watch?v=xKQTCrFCzf8](https://www.youtube.com/watch?v=xKQTCrFCzf8)

PASO 01 Asegúrese de que el gas esté CERRADO en las perillas de control y el suministro de gas. Retire la parte superior de la plancha.

PASO 02 Separe y retire con cuidado el quemador.



PASO 03 Limpiar el interior del quemador:

- a. Pase un cepillo para botellas (no un cepillo de alambre) o un alambre rígido doblado en un pequeño gancho a través de cada tubo del quemador varias veces.
- b. Use aire comprimido para soplar a través del tubo del quemador y sacar los puertos del quemador (Use protección para los ojos).



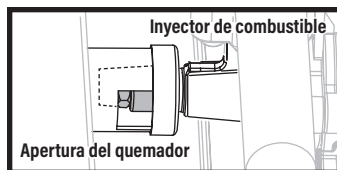
PASO 04 Cepille toda la superficie exterior del quemador para eliminar la suciedad.



PASO 05 Limpie los puertos bloqueados con un alambre rígido, como un sujetapapeles abierto.



PASO 06 Vuelva a colocar con cuidado los quemadores y vuelva a colocarlos, prestando atención a la ubicación de la aguja de encendido.



⚠ La boquilla de combustible del riel de gas debe volver a conectarse dentro de la abertura del quemador.

ATENCIÓN AL CLIENTE

Visítenos en línea en [BlackstoneProducts.com/support](https://www.BlackstoneProducts.com/support) para obtener ayuda sobre el uso del aparato, las piezas de repuesto o la garantía.

HORARIO DE ATENCIÓN AL CLIENTE:



Lunes Viernes

7:00 am a 5:00 pm (Hora de la montaña)



Este producto puede estar cubierto por una o más patentes estadounidenses y/o internacionales emitidas y puede incluir solicitudes de patentes pendientes. Para obtener más información, visite: BlackstoneProducts.com/patents