

OWNER'S MANUAL

36" GRIDDLE

TABLE OF CONTENTS

IMPORTANT SAFETY INFORMATION	02
ACTIVATE YOUR WARRANTY.....	03
ASSEMBLY GUIDE.....	04
USING YOUR BLACKSTONE.....	08
TROUBLESHOOTING	14



For the latest version of this manual, scan this code or visit BlackstoneProducts.com/support

IMPORTANT:

This instruction manual contains important information necessary for the proper assembly and safe use of the appliance.

Read and follow all warnings and instructions before assembling and using the appliance.

Keep this manual for future reference.

Installer/Assembler: Leave these instructions with the consumer.

SAFETY ALERT KEY

⚠ DANGER

Indicates a hazardous situation that, if not avoided, will result in death or serious injury.

⚠ WARNING

Indicates a hazardous situation that, if not avoided, could result in death or serious injury.

⚠ CAUTION

Indicates a hazardous situation that, if not avoided, could result in minor or moderate injury.

NOTICE

Indicates information considered important, but not hazard-related (e.g. messages related to property damage).

IMPORTANT SAFETY INFORMATION

⚠ DANGER

If you smell gas:

- Shut off gas to the appliance.
- Extinguish any open flame.
- If odor continues, keep away from the appliance and immediately call your gas supplier or your fire department.

⚠ WARNING

- **DO NOT store or use gasoline or other flammable liquids or vapors in the vicinity of this or any other appliance.**
- **An LPG cylinder not connected for use shall not be stored in the vicinity of this or any other appliance.**

⚠ WARNING

- This appliance shall be used outdoors only.
- **CARBON-MONOXIDE HAZARD – USING THIS APPLIANCE IN AN ENCLOSED SPACE MAY CAUSE DEATH.**
 - **ONLY USE IN WELL- VENTILATED AREAS.**
 - **DO NOT use this appliance inside buildings, garages, caravans, tents, marine craft, cars, mobile homes or similar locations.**

GAS APPLIANCE SAFETY

DO NOT OPERATE THIS APPLIANCE UNATTENDED.

- The use of alcohol, prescription, or non-prescription drugs may impair the consumer's ability to properly assemble or safely operate the appliance.
- Keep children and pets away from the appliance at all times.

HAVE A TYPE BC OR ABC FIRE EXTINGUISHER READILY AVAILABLE.

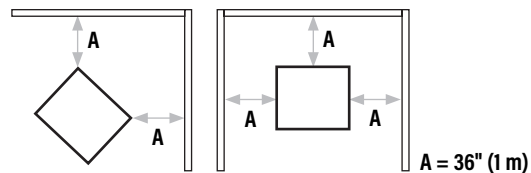
- In the event of an oil or grease fire **DO NOT** attempt to extinguish with water. Immediately call the fire department. A Type BC or ABC fire extinguisher may, in some circumstances contain the fire.

DO NOT USE FOR PURPOSES OTHER THAN INTENDED:

- **DO NOT** modify this appliance.
- **DO NOT** use for commercial cooking.
- **DO NOT** use this appliance as a heater.
- **DO NOT** install this appliance in or on a boat.
- **DO NOT** attempt to attach this appliance to the self-contained LPG system of a camper trailer, recreational vehicle or motor home.

MAINTAIN PROPER CLEARANCES FROM COMBUSTIBLE MATERIAL:


- **DO NOT** use this appliance on or under any apartment or condominium balcony or deck.
- **DO NOT** use this appliance under overhead combustible construction.
- **DO NOT** operate this appliance any closer than 36 in (1 m) from the sides and back of the appliance.

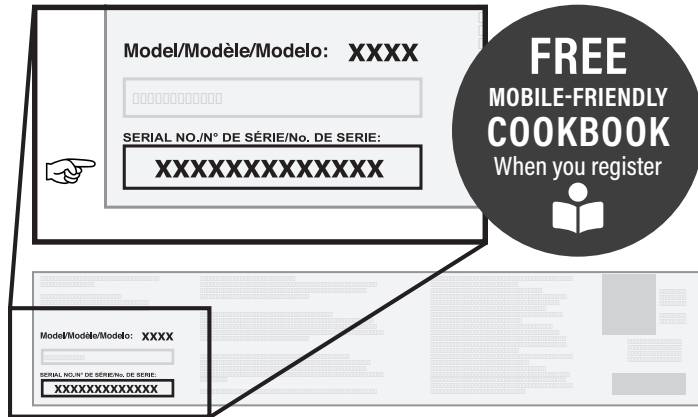


ACTIVATE YOUR WARRANTY

The North Atlantic Imports LLC 1-Year Warranty covers replacement parts up to one year after the date of purchase.

TO ENABLE THIS WARRANTY, YOU WILL NEED TO PROVIDE:

 Your appliance's Serial Number



The Serial Number can be found on your appliance's Manufacturer Label.
(The Manufacturer Label is a large silver sticker found on the body of your appliance.)



Register your appliance at BlackstoneProducts.com/register

WARRANTY OVERVIEW

North Atlantic Imports, the manufacturer, will warranty for one year from purchase all parts, workmanship, and finishes. It will be the manufacturer's option as to whether to repair or replace any of the above items. All warranties are limited to the original purchaser only. This warranty does not cover any liability on the part of North Atlantic Imports, its agents or employees, for any indirect or consequential damages for breach of warranty. The purchaser must follow the manufacturer's usage instructions.

Under no circumstances is the manufacturer responsible for damages from the failure to operate the cooking station properly. It is the responsibility of the purchaser to establish the warranty period by verifying the original purchase date with original sales receipt.



DETAILED EXPLANATION OF THE WARRANTY

North Atlantic Imports LLC warrants to the owner that the product covered by this agreement is free from defects in material and workmanship under normal use and service for which it was intended if, but only if, it has been operated in accordance with North Atlantic Imports LLC instructions exclusively for domestic use, and not for private or public club, institutional or commercial purposes.

North Atlantic Imports LLC's obligation under this warranty is limited to replacing or repairing, free of charge, any part or parts that may prove, to the satisfaction of North Atlantic Imports LLC, to be defective under normal home use and service within the following stated periods of time from the date of purchase; for one year from purchase, all parts, finish, and workmanship. Should any failure to conform to this warranty become apparent during applicable warranty periods stated above, the original purchaser must notify North Atlantic Imports LLC of breach of warranty within the applicable warranty period.

North Atlantic Imports LLC shall upon notice and compliance by the original purchaser with such instructions, correct such nonconformity by repair or replacement of the defective part or parts.

Correction in the manner provided above shall constitute a fulfillment of all obligations of North Atlantic Imports LLC with respect to the quality of the product.

North Atlantic Imports LLC does not warrant this equipment to meet the requirement of any safety code of any state, municipality or other jurisdiction, and the original purchaser assumes all risk and liability whatsoever resulting from the use thereof, whether used in accordance with North Atlantic Imports LLC instructions or otherwise.

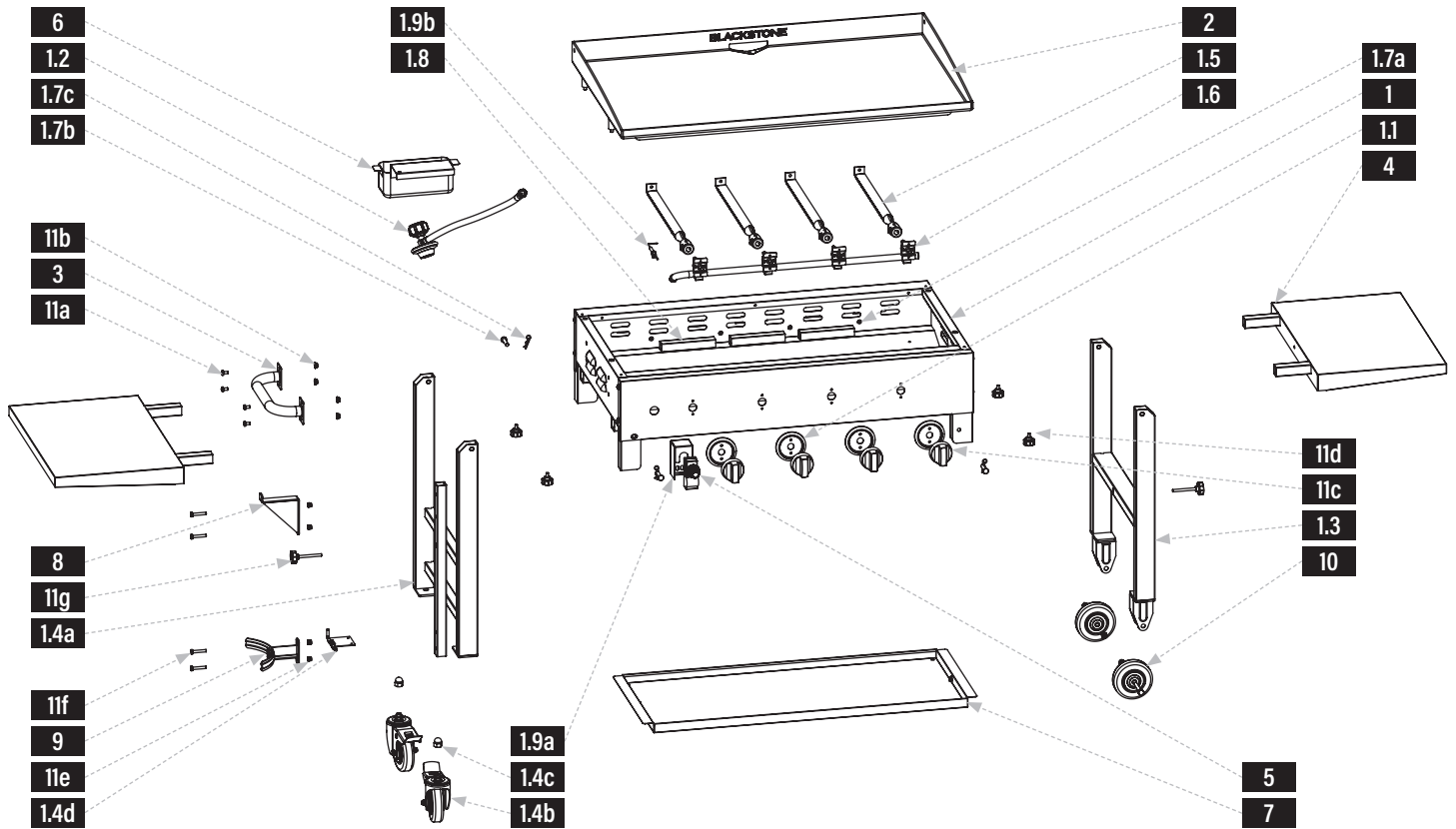
This warranty does not cover and is intended to exclude any liability on the part of North Atlantic its agents, servants or employees whether under this warranty or implied by law for any indirect or consequential damages for breach on any warranty. The purchaser must establish all applicable warranty periods pursuant to this warranty by verifying the original purchase date by producing the dated sales receipt. This warranty shall not apply to this product or any other part thereof which has been subject to accident, negligence, alteration, abuse, or misuse or which has been repaired or altered without North Atlantic written consent, outside of North Atlantic Imports LLC factory. The full manufacturer warranty is not valid for griddles purchased from unlicensed, third-party resellers, purchased at a discount due to missing or damaged parts, or purchased as a floor model; at the discretion of North Atlantic Imports.

North Atlantic Imports LLC makes no warranty whatsoever in respect to accessories or parts not supplied with it. This warranty shall apply only within the boundaries of the United States of America. This warranty gives the original purchaser specific rights, and the original purchaser may also have other rights, which vary from state to state.

ENGLISH

ASSEMBLY GUIDE

EXPLODED VIEW



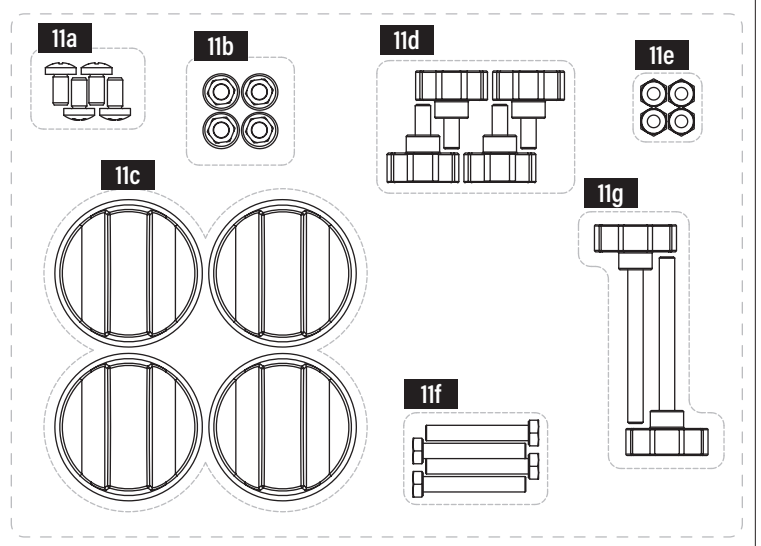
PARTS LIST

PARTS	QTY	PARTS	QTY	PARTS	QTY	PARTS	QTY
1.1 Knob bezel	4	1.4b Castor wheels	2	1.6 Gas rail	1	1.8 Flame transfer channels	3
1.2 Regulator	1	1.4c Cap nut	2	1.7a M5 Screws	4	1.9a Ignition heat shield	1
1.3 Right leg assembly	1	1.4d Pull pin	1	1.7b Clevis pins	4	1.9b Ignition needle	1
1.4a Left leg assembly	1	1.5 Tubular burners	4	1.7c R pins	4		

1 Griddle body (1 piece) 	2 Griddle top (1 piece) 	3 Side handle (1 piece) 	4 Side shelves (2 pieces)
5 Ignitor button (1 piece) 	6 Grease cup (1 piece) 	7 Bottom tray (1 piece) 	8 LPG hook (1 piece)
9 LPG support (1 piece) 	10 Wheels (2 pieces) 		



- 11** HARDWARE PACK (1 PIECE)
- a. M6x12 bolts (4 pieces)
 - b. M6 flange nuts (4 pieces)
 - c. Control knobs (4 pieces)
 - d. Small thumb screws (4 pieces)
 - e. M6 lock nuts (4 pieces)
 - f. M6x38 bolts (4 pieces)
 - g. Large thumb screws (2 pieces)



ASSEMBLY INSTRUCTIONS

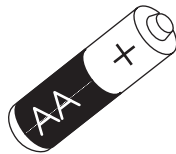
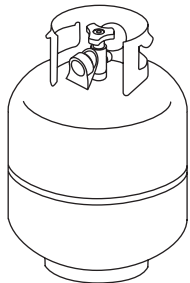
Find a large, clean area to assemble your appliance.
Remove all packing material before assembling.

⚠ CAUTION

Sharp edges. Wear gloves while assembling.

⚠ CAUTION

Heavy pieces. Two people should assemble this appliance.

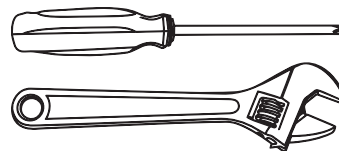


NOT INCLUDED:

LPG cylinder
Size: 18 x 12 in (45 x 30 cm), 20 lb (9 kg)
LPG cylinder must include collar to protect LPG cylinder valve.

NOT INCLUDED:

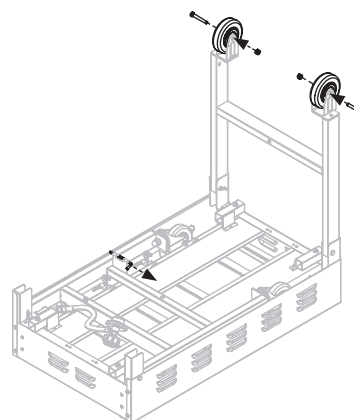
AA battery



TOOLS NEEDED:

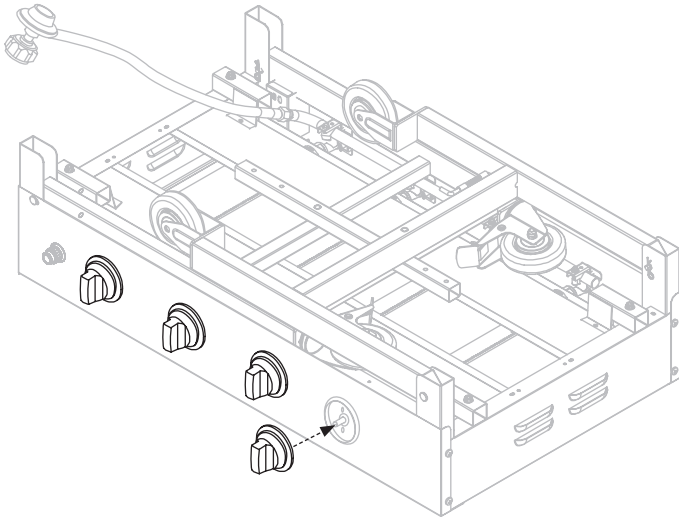
Phillips head screwdriver & Adjustable wrench

STEP 01 With the help of another person, remove the griddle body from the packaging and lay it upside down on a smooth, flat surface. Pull the locking pin to release the leg assemblies and raise them to a vertical position. Attach the wheels to the right leg assembly.

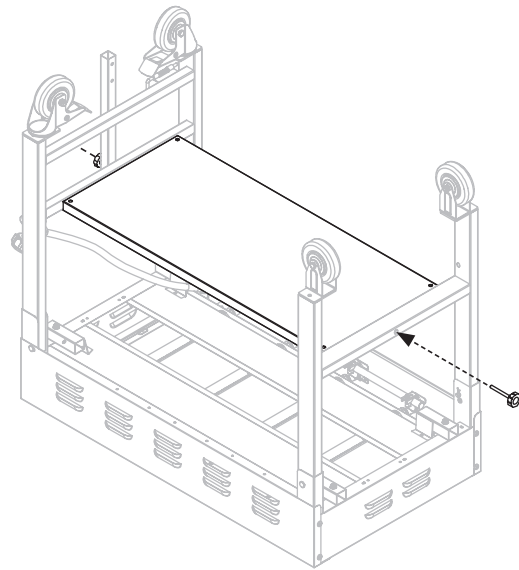


ENGLISH

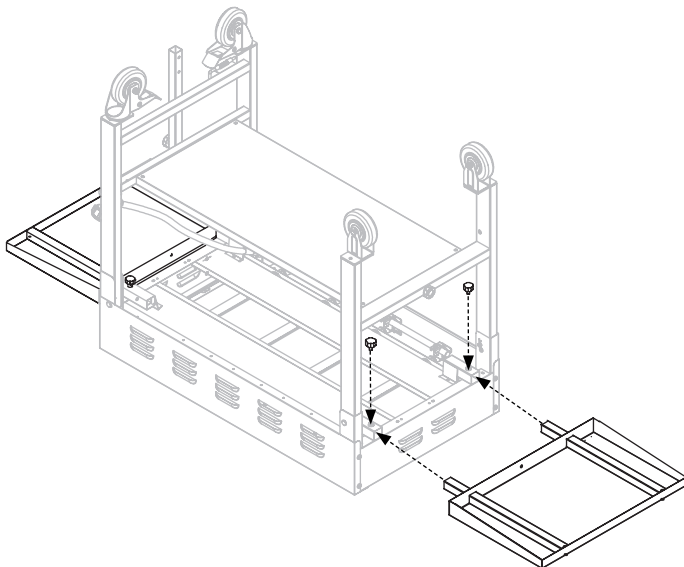
STEP 02 Install the four (4) control knobs by pushing them into place in the OFF position.



STEP 03 Use two (2) large thumb screws to install the bottom shelf between the leg assemblies.

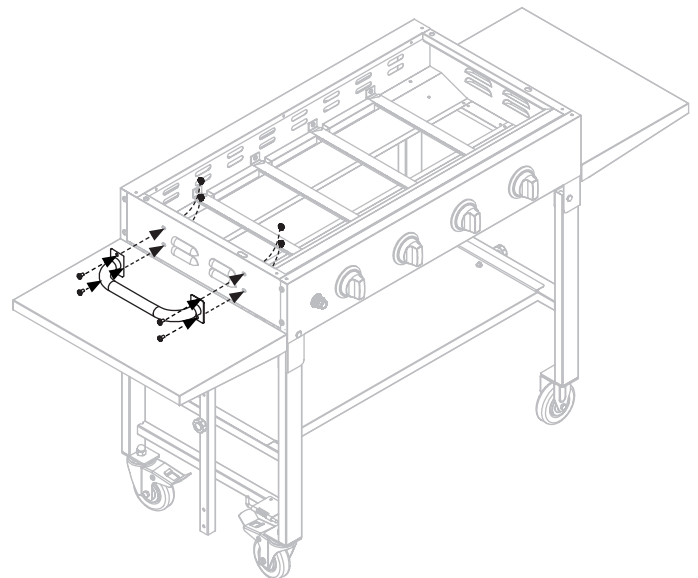


STEP 04 Install the right side shelf by sliding the shelf post into the mounting bracket. Use two (2) small thumb screws to secure. Repeat on the left side with another two (2) small thumb screws.



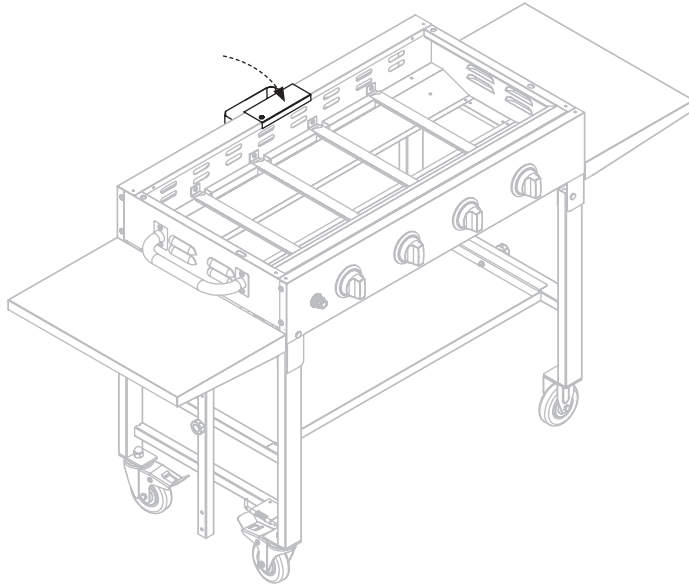
STEP 05 With the help of another person, place the griddle on its wheels.

Use four (4) M6 bolts and four (4) M6 flange nuts to attach the side handle to the left side of the griddle body.

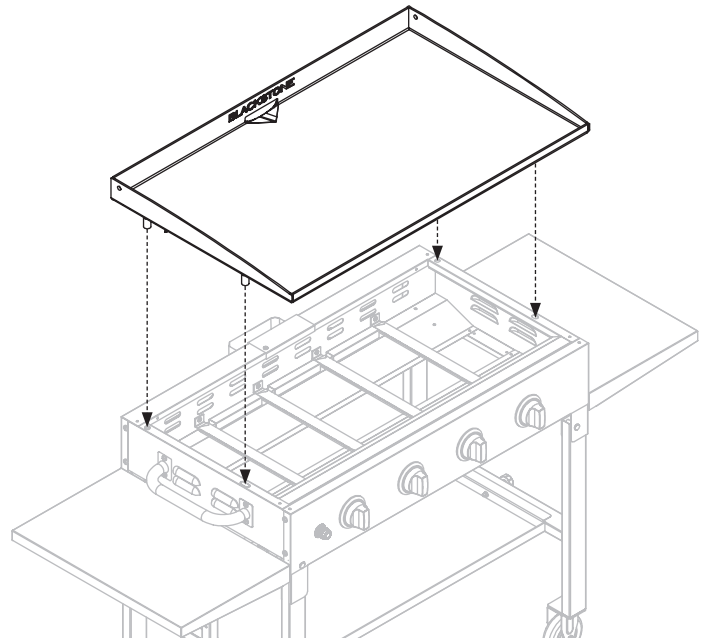




STEP 06 Hang the grease cup on the back of the griddle body in the center of the unit.

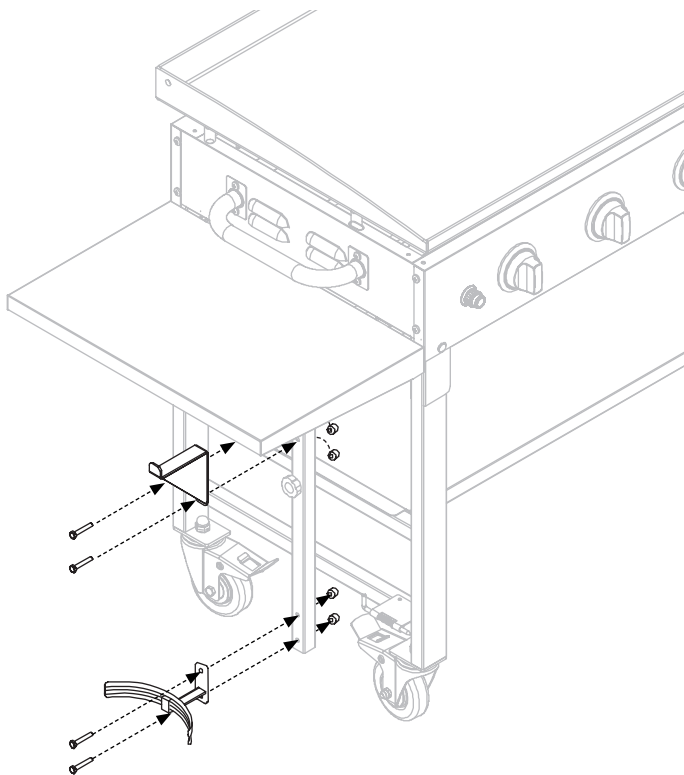


STEP 07 With the help of another person, place the griddle top onto the griddle body by aligning the four foot pins to the holes on top of the unit.

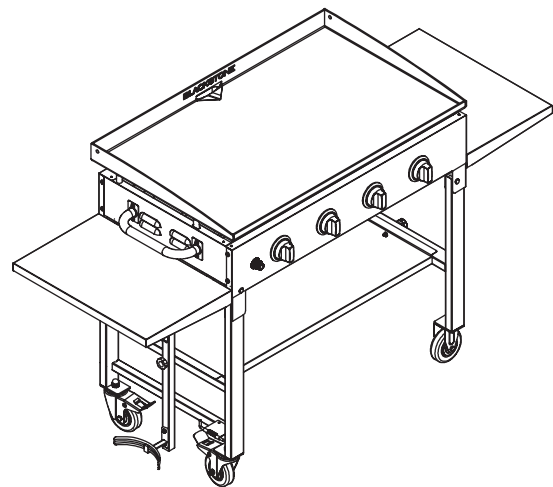


STEP 08 Use two (2) M6x38 bolts to attach the LPG hook to the LPG bar. Use two (2) M6 lock nuts to secure it from the back.

Use two (2) M6x38 bolts to attach the LPG support to the LPG bar. Use two (2) M6 lock nuts to secure it from the back.



Proceed to **USING YOUR BLACKSTONE.**



CAUTION

Handle will get hot while appliance is in use.
DO NOT touch the handle while appliance is hot.

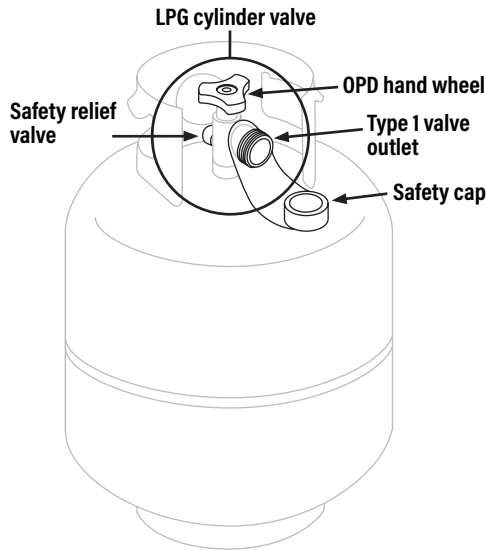
NOTICE

- Maximum weight on the side shelf is 10 lbs (4.5 kg).
- The side shelf may get hot while appliance is in use.

USING YOUR BLACKSTONE

THE LPG CYLINDER VALVE MUST HAVE:

- Type 1 valve outlet (thread on the outside).
- Safety relief valve.
- UL listed Overfill Protection Device (OPD). This OPD safety feature is identified by a unique triangular hand wheel.
- Safety cap (dust cap).



REGULATOR SAFETY

⚠ WARNING

Cross threading can occur if you force thread a connection at an improper angle. This will damage the threads, lead to propane leaking, and potentially result in a build-up of fuel that can ignite.

DO NOT cross thread the connection between your LPG cylinder and regulator.

⚠ WARNING

If you can not connect the regulator, DO NOT use the regulator.

Regulator must be replaced with a Blackstone approved model by a professionally licensed, authorized dealer.

Use this appliance, as purchased, only with gas and regulator/valve assembly supplied.

FITTINGS & HOSES

- Annual checking and tightening of metal fittings is recommended.
- ⚠ Keep the fuel supply hose away from any heated surfaces.
- Before each use, check to see if hoses are cut or worn.

Replace damaged hose before using appliance. (Use only Blackstone approved replacement parts for valve, hose, or regulator. Failure to comply will void the warranty.)

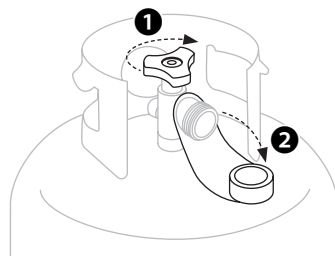
CONNECT THE LPG CYLINDER

20 LB (9 KG)

STEP 01 Turn the control knobs to OFF.

1 Ensure that the LPG cylinder is OFF by turning the OPD hand wheel clockwise to a full stop.

2 Remove the safety cap from the Type 1 valve outlet.



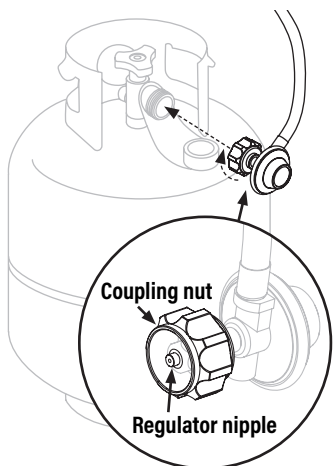
STEP 02 Hold the regulator in a straight line with the Type 1 valve outlet so as not to cross thread the connection.

Center and insert the regulator nipple into the Type 1 valve outlet.

Hand-tighten the coupling nut in a clockwise direction.

(DO NOT use tools to connect.)

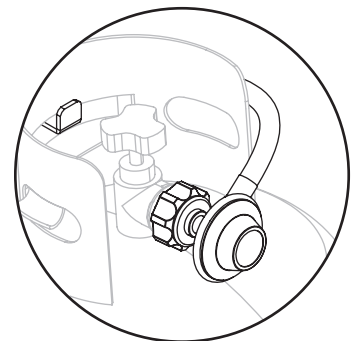
If connection cannot be completed, disconnect regulator and repeat this step.



⚠ The LPG cylinder supply system must be arranged for vapor withdrawal.

Always keep new LPG cylinders in upright position during use, transit or storage.

STEP 03 Secure the LPG cylinder to the appliance by hanging it on the LPG hook so that it nestles against the LPG support.



LEAK TEST INSTRUCTIONS

NOTICE

DO NOT use household cleaning agents. Damage to gas valve, hose, and regulator components may result.
Use a clean paintbrush and a 10/90 mild soap and water solution to perform the leak test.

LEAK TEST: LPG CYLINDER

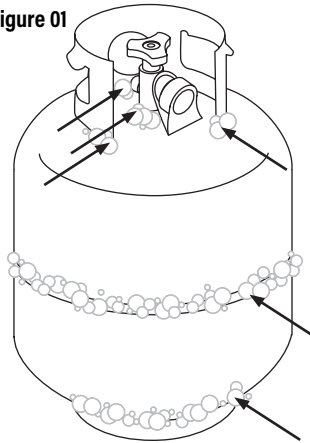
- Leak test new and exchanged LPG cylinders BEFORE connecting to griddle.
- DO NOT smoke during leak test.
- DO NOT use an open flame to check for gas leaks.
- Appliance must be leak tested outdoors in a well-ventilated area, away from ignition sources such as gas fired or electrical appliances.
- During leak test, keep appliance away from open flames or sparks.

STEP 01 Brush soapy solution onto joint areas of the LPG cylinder.

(Indicated by arrows in figure 01.)

- Leaks are indicated by growing bubbles.

Figure 01



⚠ WARNING

If growing bubbles appear during leak test, DO NOT use or move the LPG cylinder. Immediately contact an LPG supplier or fire department.

LEAK TEST: VALVES, HOSE & REGULATOR

STEP 01 Turn the control knobs to OFF.

STEP 02 Connect the regulator to the LPG cylinder.

STEP 03 Completely open the LPG tank by turning the OPD hand wheel counterclockwise.

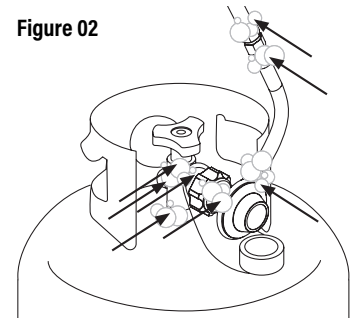
- If you hear a rushing sound, turn gas off immediately. There is a major leak at the connection.
- Immediately close the LPG cylinder by turning the OPD hand wheel clockwise and re-tighten connections. If leaks cannot be stopped DO NOT TRY TO REPAIR.

STEP 04 Brush soapy solution onto joint areas of valves and regulator.

(Indicated by arrows in figure 02.)

- Leaks are indicated by growing bubbles.
- Immediately close the LPG cylinder by turning the OPD hand wheel clockwise and re-tighten connections.

Figure 02



⚠ WARNING

If leaks cannot be stopped, DO NOT try to repair. Regulator must be replaced with a Blackstone approved model by a professionally licensed, authorized dealer.

FIRST TIME CLEANING

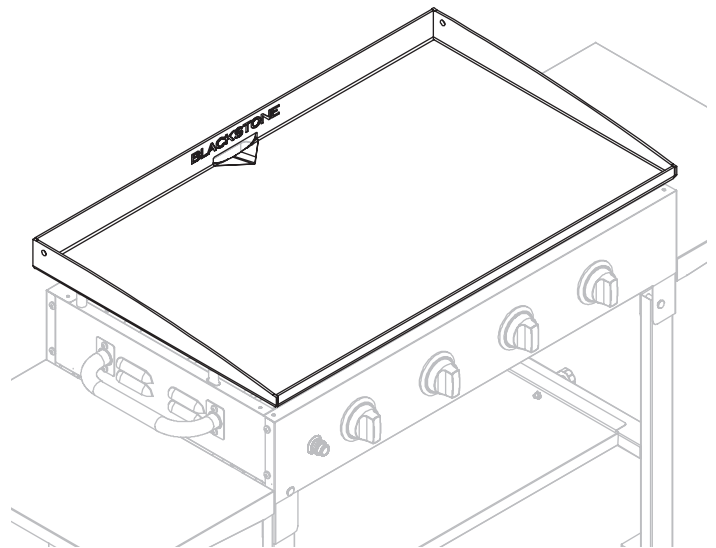
CLEANING YOUR GRIDDLE TOP

NOTICE

Soap will ruin a seasoned griddle. This is the only time you should use soap on the griddle cooking surface.

STEP 01 Wash the griddle cooking surface with hot, soapy water.

STEP 02 Rinse and dry completely.



IGNITION INSTRUCTIONS

1. CHECK VALVES

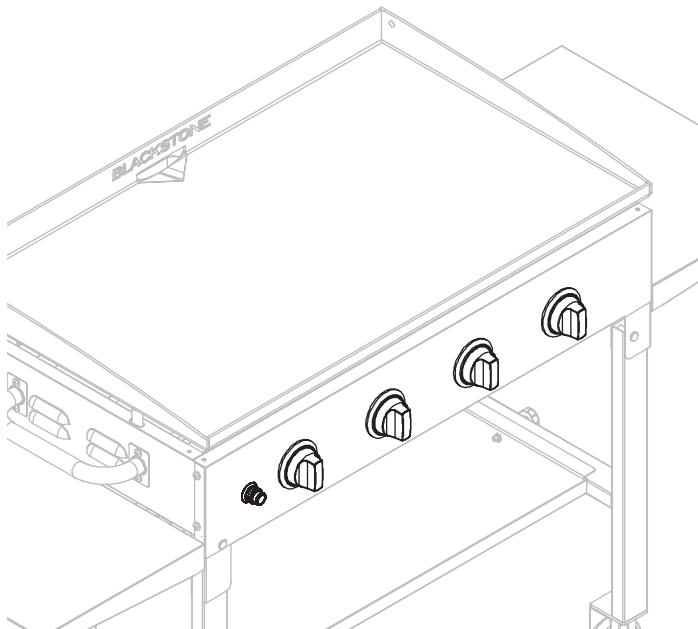
STEP 01 Turn knobs to OFF position.

STEP 02 Push in knobs and release. Knobs should spring back. If knobs **DO NOT** spring back, replace valve assembly before using appliance.

STEP 03 Rotate knobs to LOW then turn back to OFF. Knobs should turn smoothly.

⚠ WARNING

If burner does not ignite with open LPG cylinder valve, gas will continue to flow out of burner and could accidentally/inadvertently ignite with risk of injury. Ensure gas is off at the supply shut off valve before checking appliance valves.



3. CHECK BURNER FLAME

Always check burner flame before use.

STEP 01 Light burners and rotate knobs from HIGH to LOW.

STEP 02 Look below the cooking top to view burners. When knob is at HIGH, flames should be larger than when knob is at LOW.

⚠ WARNING

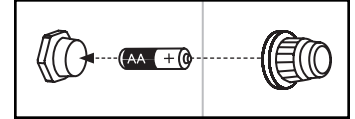
A clogged burner tube can lead to a fire beneath the appliance. Burner should be removed and cleaned annually or whenever heavy build-up or insects/insect nests are found.

2. BATTERY POWERED IGNITION

⚠ DO NOT lean over the appliance while lighting.

STEP 01 Insert one (1) AA battery (not included) under the ignitor button.

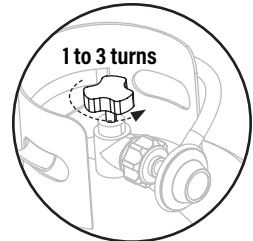
Screw the button into place over the positive terminal.



STEP 02

1 Turn the control knob to OFF.

STEP 03 Turn gas ON at the LPG cylinder by turning the OPD hand wheel counterclockwise 1 to 3 turns.

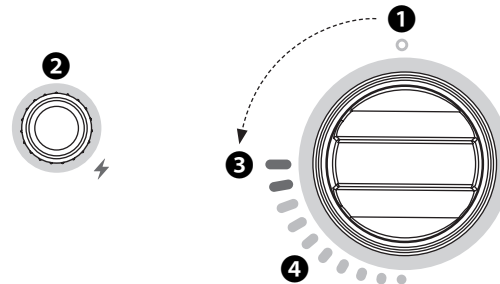


STEP 04

2 Push and hold the ignitor button.

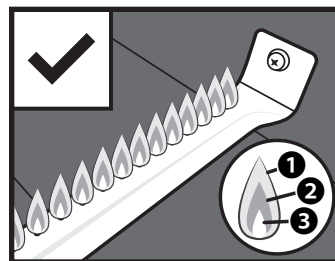
3 Push and turn the control knob counter-clockwise to HIGH. (Release the ignitor button when the burner lights.)

4 Adjust the temperature to desired level.



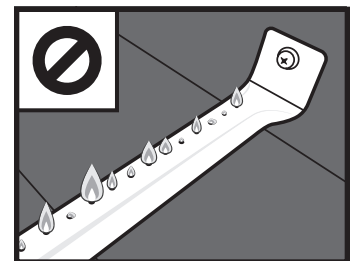
To ignite the remaining burners: Starting with the burner closest to the ignition needle, turn each burner knob in sequence to HIGH.

HEALTHY BURNER FLAME PATTERN



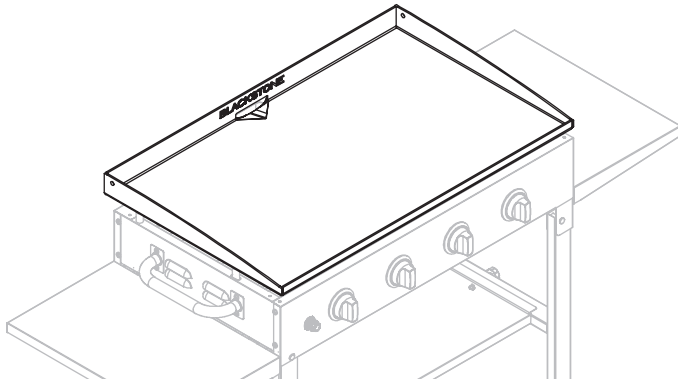
- 1 Flickers of yellow color.
- 2 Dark blue color.
- 3 Vibrant blue.

BURNER FLAMES ARE YELLOW OR IRREGULAR



If there is a sudden drop or low flame issue, please reference the Troubleshooting chapter.

GRIDDLE SEASONING INSTRUCTIONS



WHAT OIL IS BEST TO USE?

- **Blackstone Seasoning and Cast Iron Conditioner.**
- Any plant-based cooking oil.
- Rendered animal fat with no additives.



VIDEO TUTORIAL

How to Season a New Blackstone Griddle
 ▶ [youtube.com/watch?v=VspmDVnj2pl&t=3s](https://www.youtube.com/watch?v=VspmDVnj2pl&t=3s)

STEP 01 Wipe any debris off griddle top.



STEP 02 Set your griddle to high heat until your griddle top changes color. (~10 min)



STEP 03 Use tongs to hold a paper towel or cotton cloth and spread 2-3 tablespoons of your seasoning oil across the entire griddle top.
 When seasoning your griddle top, remember to use a thin and even layer of oil—the thinner the layer of oil, the easier it will be to burn it off.



STEP 04 The griddle top is ready for another layer of oil when it stops smoking. Repeat **STEP 03** 3-4 times, or until the griddle surface is black.



SEASONING TROUBLESHOOTING

THERE IS A BROWNISH RESIDUE ON THE GRIDDLE SURFACE:

POSSIBLE CAUSES	SOLUTION
• Too much oil was used.	STEP 01 Turn your griddle on high and let it heat for 10-15 minutes.
• You turned off the heat too soon.	STEP 02 Scrape off as much of the thickened and partially cooked oil as you can.
	STEP 03 Re-season with a very thin layer of oil.

THE EDGES OF THE GRIDDLE SURFACE ARE NOT BLACK:

After using your griddle for multiple cooks, the seasoning will even out and improve.

PREVENTING RUST

Use your griddle frequently. Every time you cook, you are adding to the seasoning, which makes rust less likely.

NOTICE
If you live in a humid or coastal climate, your griddle may require more frequent seasonings between uses.

If rust appears on the griddle surface, rub it off with steel wool, low grit sandpaper or the **Blackstone Pumice Stone** and re-season the surface.



VIDEO TUTORIAL

Recovering your Blackstone Griddle Top
 ▶ [youtube.com/watch?v=thPE2lgnSil](https://www.youtube.com/watch?v=thPE2lgnSil)

COOKING ON YOUR BLACKSTONE

⚠ DANGER

Flammable items can spontaneously combust if placed near the appliance. DO NOT place flammable items such as aerosol containers, oily or greasy towels near the cooking surface.

⚠ CAUTION

This appliance will be hot during and after use. DO NOT handle hot parts with unprotected hands. Use long-handled cooking utensils and oven mitts.

NOTICE

DO NOT store any items within 3 in (8 cm) of the cooking surface while in use.

IF GREASE OR OTHER HOT MATERIAL DRIPS ONTO VALVE, HOSE OR REGULATOR:

STEP 01 Turn off gas supply immediately.

STEP 02 Determine the cause and correct it.

STEP 03 Clean and inspect valve, hose and regulator.

STEP 04 Perform a leak test. (Please reference the Leak Test Instructions in **USING YOUR BLACKSTONE.**)

VIDEO RECIPES

Find recipes and cooking tips at:

[BlackstoneProducts.com/blogs/recipes](https://www.blackstoneproducts.com/blogs/recipes)

[youtube.com/c/BlackstoneGriddles](https://www.youtube.com/c/BlackstoneGriddles)

[facebook.com/blackstoneproducts](https://www.facebook.com/blackstoneproducts)



BREAKFAST
Strawberries and Cream Pancakes

LUNCH
Oklahoma Fried Onion Burger



DINNER
Tacos Borrachos

CLEANING YOUR APPLIANCE

Clean your appliance after each use, after it is cool to the touch.

- DO NOT use abrasive pad on areas with graphics.
- If a bristle brush is used to clean any of the cooking surfaces, ensure no loose bristles remain on cooking surfaces prior to cooking.

⚠ WARNING

Grease build up can cause a fire. Clean any part of the appliance that gets hot and experiences grease build up after each use.

PLASTIC PARTS & PAINTED SURFACES:

Wash with warm soapy water and wipe dry with a non-abrasive cloth.

NOTICE

DO NOT use Citrisol, abrasive cleaners, or a concentrated cleaner on plastic parts. This may result in damage to and failure of parts.

FOR EVERY SURFACE

The **Blackstone Degreaser and Cleaning Spray** is gentle enough to clean every surface of your appliance. Use it on the cooking surface, the appliance frame, or anywhere that experiences a build up of grease.



APPLIANCE STORAGE

⚠ WARNING

DO NOT move the appliance when in use. Allow the appliance to cool to 115°F (45°C) before moving or storing.

- ⚠ When not in use, turn OFF appliance by rotating the appliance control knobs to the OFF position and closing the fuel valve.
- ⚠ When gas supply is connected to appliance, store appliance outdoors in a cool, dry, well-ventilated space and out of reach of children.

COVER FIT GUIDE

Always cover your appliance if stored outdoors.



To find a cover that will fit your appliance, visit [Blackstoneproducts.com/support](https://www.blackstoneproducts.com/support).

CLEANING YOUR GRIDDLE TOP

Clean griddle top after each use, while still warm.

- DO NOT use soap on the griddle top. This will destroy the griddle's seasoning.
- The grease cup must be removed and emptied after each use.

⚠ CAUTION

Grease cup will be hot during and after use. DO NOT remove the grease cup until the griddle has completely cooled.



VIDEO TUTORIAL

How to Clean your Blackstone Griddle
 ▶ [youtube.com/watch?v=-ledu9z6NPY](https://www.youtube.com/watch?v=-ledu9z6NPY)

STEP 01 Push loose food debris into the grease cup with spatula or straight metal scraper.



STEP 02 Wipe down griddle top with paper towel.



STEP 03 Apply a few tablespoons of water to the griddle surface, then scrape the water and debris into the grease cup.

(For stuck-on food residue, use a bit of coarse salt.)



STEP 04 Wipe again with a paper towel and dry completely.



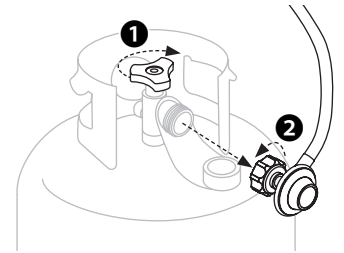
STEP 05 Apply thin coat of cooking oil to maintain seasoning and protect the griddle top.



DISCONNECT THE LPG CYLINDER 20 LB (9 KG)

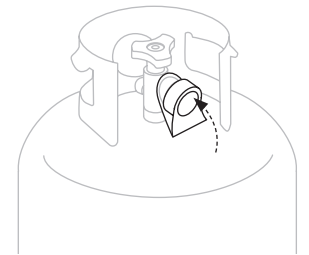
STEP 01 Ensure that the control knobs are turned to OFF.

- 1 Ensure that the LPG cylinder is OFF by turning the OPD hand wheel clockwise to a full stop.
- 2 Turn the coupling nut counter-clockwise by hand to remove the regulator. (DO NOT use tools to disconnect.)



STEP 02 Place safety cap on LPG cylinder valve outlet whenever cylinder is not in use.

Only install the type of safety cap on cylinder valve outlet that is provided with the cylinder valve. Other types of caps or plugs may result in leakage of propane.



STORING LPG CYLINDERS

- ⚠ DO NOT store a spare LPG cylinder under or near this appliance.
 - ⚠ DO NOT fill an LPG cylinder beyond 80% full.
- If the information above is not followed exactly, a fire causing death or serious injury may occur.
- ⚠ LPG cylinders must be stored outdoors and out of the reach of children.
 - ⚠ DO NOT store an LPG cylinder inside a building, garage, or any other enclosed area.

FILLING & EXCHANGE

- Use only those reputable exchange companies that inspect, precision fill, test and certify their cylinders. LPG dealer must purge new cylinder before filling.
- Volume of propane in cylinder will vary by temperature.

⚠ WARNING

A frosty regulator indicates gas overfill. Immediately close LPG cylinder valve and call local LPG dealer for assistance.

- ⚠ DO NOT release liquid petroleum gas (LPG) into the atmosphere.
 - To remove gas from LPG cylinder, contact a certified LPG dealer or local fire department for assistance.
 - Exchange tank only for an OPD safety feature-equipped tank.
- Your retailer can help you match a replacement LPG cylinder to your appliance.

TROUBLESHOOTING

ENGLISH

IGNITION TROUBLESHOOTING

BURNER WILL NOT IGNITE:

If ignition does not occur in 5 seconds:

STEP 01 Turn the burner controls OFF.

STEP 02 Wait 5 minutes.

STEP 03 Repeat the lighting procedure.

If this does not work, to determine the cause, please try to ignite your appliance with a match.

MATCH LIGHTING INSTRUCTIONS

Before beginning, check for gas leaks. (Please reference the Leak Test Instructions in **USING YOUR BLACKSTONE.**)

STEP 01 Turn control knob(s) to OFF position.

STEP 02 Remove cooking top.

STEP 03 Light a match (or long lighter) no shorter than 11 inches long. Place the flame on the right or left side of the burner.

STEP 04 Push in and turn the control knob to the HIGH position. Ensure burner lights and stays lit.

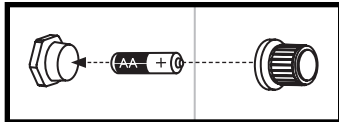
IF YOU CAN IGNITE YOUR APPLIANCE WITH A MATCH:

POSSIBLE CAUSES

Dead / improperly installed battery.

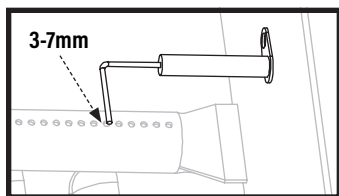
SOLUTION

Replace with new battery.



Ignitor wire misaligned.

Ensure that the ignition needle is positioned 3-7mm away from the burner tube, and above a burner hole.



Damage to the ignition system.

Contact customer service for replacement parts.

IF YOU CAN NOT IGNITE YOUR APPLIANCE WITH A MATCH:

POSSIBLE CAUSES

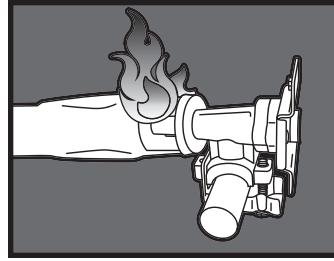
Burner tubes are not receiving fuel.

SOLUTION

Clean the burner assembly to remove the obstruction.

GAS FLOW TROUBLESHOOTING

A FLAME IS COMING OUT OF THE AIR GATE:



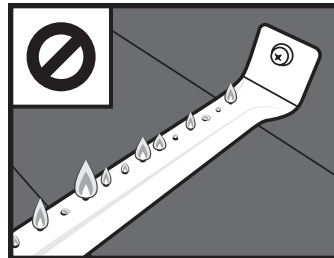
POSSIBLE CAUSES

Something is blocking the venturi in the burner tube.

SOLUTION

Clean the burner assembly to remove the obstruction.

BURNER FLAMES ARE YELLOW OR IRREGULAR:



- Appliance will not achieve a high heat or heats unevenly.
- Burner flames start strong, then immediately drop to low even when burner is set to high position.
- Flame height drops when a second burner is lit.
- Flames DO NOT extend the full length of the burner, or only run on one side of the burner.
- Burner flames are inconsistent.

POSSIBLE CAUSES

Obstructions in the burner, gas jets, or fuel rail.

LPG cylinder is empty or low.

The regulator's flow limiting device was triggered.

SOLUTION

Clean the burner, jets, and gas hose.

Refill or replace the LPG cylinder.

Reset the safety system:

STEP 01 Turn OFF the appliance, close the LPG cylinder valve, and disconnect the regulator from the LPG cylinder.

STEP 02 Wait five minutes to allow the pressure to dissipate, then reconnect the regulator to the LPG cylinder and slowly open the OPD hand wheel one half turn.

STEP 03 Ignite your appliance.

Regulator stuck in safety position.

Contact customer service for replacement parts.



CLEANING THE BURNER ASSEMBLY



VIDEO TUTORIAL

How to Clean Your Burner Tube

▶ [youtube.com/watch?v=xKQTCrFCzf8](https://www.youtube.com/watch?v=xKQTCrFCzf8)

STEP 01 Ensure that the gas is turned OFF at control knobs and gas supply. Remove the cooking top.

STEP 02 Carefully detach and remove the burner.



STEP 03 Clean the inside of the burner:

- Run a narrow bottle brush through each burner tube several times. (DO NOT use wire brushes)
- Run a stiff wire bent into a small hook through each burner tube several times.
- Use an air hose to force air into burner tube and out burner ports. Check that air blows through each hole. (Wear eye protection)



STEP 04 Brush entire outer surface of burner to remove grime.

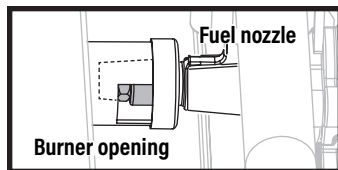


STEP 05 Clean any blocked ports with stiff wire such as an open paper clip.



STEP 06 Carefully replace burners and reattach.

⚠ The gas rail fuel nozzle must be reengaged within the burner opening.



CUSTOMER SERVICE

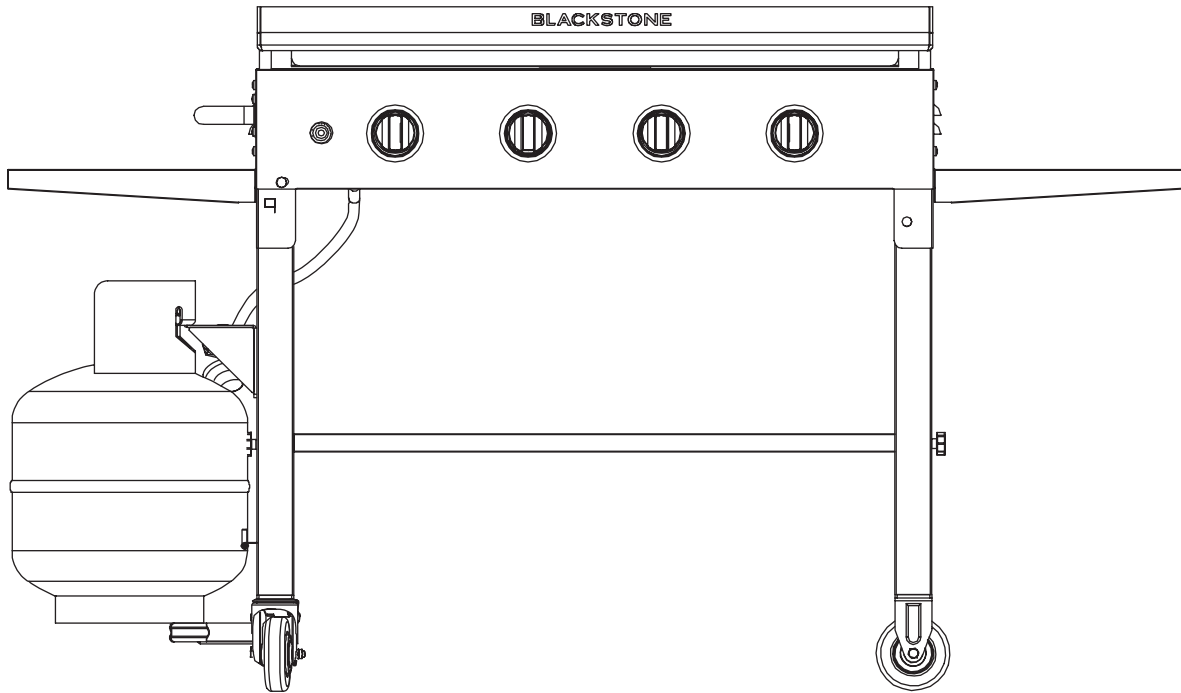
Visit us online at [BlackstoneProducts.com/support](https://www.BlackstoneProducts.com/support) for assistance concerning appliance use, replacement parts, or your warranty.

CUSTOMER SERVICE HOURS:



Monday - Friday
7:00 am - 5:00 pm (MST)





MANUEL DU PROPRIÉTAIRE

PLAQUE CHAUFFANTE DE 36 PO

TABLE DES MATIÈRES

INFORMATIONS DE SÉCURITÉ IMPORTANTES	02
ACTIVEZ VOTRE GARANTIE.....	03
GUIDE D'ASSEMBLAGE.....	04
UTILISATION DE VOTRE BLACKSTONE	08
DÉPANNAGE	14



Pour obtenir la dernière version de ce manuel, scannez ce code ou visitez BlackstoneProducts.com/support

IMPORTANT:

Ce manuel d'instructions contient des informations importantes nécessaires au montage correct et à l'utilisation en toute sécurité de l'appareil.

Lisez et suivez tous les avertissements et instructions avant d'assembler et d'utiliser l'appareil.

Conservez ce manuel pour référence ultérieure.

Installateur/Assembleur : Laissez ces instructions au consommateur.

CLÉ D'ALERTE DE SÉCURITÉ

⚠ DANGER

Indique une situation dangereuse qui, si elle n'est pas évitée, entraînera la mort ou des blessures graves.

⚠ ATTENTION

Indique une situation dangereuse qui, si elle n'est pas évitée, pourrait entraîner des blessures mineures ou modérées.

⚠ AVERTISSEMENT

Indique une situation dangereuse qui, si elle n'est pas évitée, peut entraîner la mort ou des blessures graves.

AVIS

Indique des informations considérées comme importantes, mais non liées à un danger (par exemple, des messages liés à des dommages matériels).

INFORMATIONS DE SÉCURITÉ IMPORTANTES

⚠ DANGER

Si vous sentez une odeur de gaz:

- Fermez le gaz vers l'appareil.
- Éteignez toute flamme nue.
- Si l'odeur persiste, éloignez-vous de l'appareil et appelez immédiatement votre fournisseur de gaz ou votre service d'incendie.

⚠ AVERTISSEMENT

- Ne stockez pas et N'UTILISEZ PAS d'essence ou d'autres liquides ou vapeurs inflammables à proximité de cet appareil ou de tout autre appareil.
- Une bouteille de GPL non connectée pour utilisation ne doit pas être stockée à proximité de cet appareil ou de tout autre appareil.

⚠ AVERTISSEMENT

- Cet appareil doit être utilisé à l'extérieur uniquement.
- RISQUE DE MONOXYDE DE CARBONE - L'UTILISATION DE CET APPAREIL DANS UN ESPACE CLOS PEUT ENTRAÎNER LA MORT.
- UTILISER UNIQUEMENT DANS DES ZONES BIEN VENTILÉES.
- N'UTILISEZ PAS cet appareil à l'intérieur de bâtiments, de garages, de caravanes, de tentes, d'embarcations marines, de voitures, de maisons mobiles ou d'emplacements similaires.

SÉCURITÉ DES APPAREILS À GAZ

NE FAITES PAS FONCTIONNER CET APPAREIL SANS SURVEILLANCE.

- L'utilisation d'alcool, de médicaments sur ordonnance ou en vente libre peut nuire à la capacité du consommateur à assembler correctement ou à utiliser l'appareil en toute sécurité.
- Gardez les enfants et les animaux domestiques éloignés de l'appareil à tout moment.

AYEZ À PORTÉE DE MAIN UN EXTINCTEUR DE TYPE BC OU ABC.

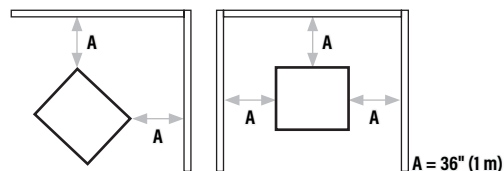
- En cas d'incendie d'huile ou de graisse, N'ESSAYEZ PAS de l'éteindre avec de l'eau. Appelez immédiatement les pompiers. Un extincteur de type BC ou ABC peut, dans certaines circonstances, contenir le feu.

DO NOT USE FOR PURPOSES OTHER THAN INTENDED:

- NE PAS utiliser à des fins autres que celles prévues :
- NE MODIFIEZ PAS cet appareil.
- NE PAS utiliser pour la cuisine commerciale.
- N'UTILISEZ PAS cet appareil comme appareil de chauffage.
- N'INSTALLEZ PAS cet appareil dans ou sur un bateau.
- N'ESSAYEZ PAS de raccorder cet appareil au système GPL autonome d'une caravane, d'un véhicule récréatif ou d'un camping-car.

MAINTENEZ DES DÉGAGEMENTS APPROPRIÉS PAR RAPPORT AUX MATÉRIEAUX COMBUSTIBLES:

- N'UTILISEZ PAS cet appareil sur ou sous un balcon ou une terrasse d'appartement ou de copropriété.
- N'UTILISEZ PAS cet appareil sous une construction combustible suspendue.
- N'UTILISEZ PAS cet appareil à moins de 36 po (1 m) des côtés et de l'arrière de l'appareil.



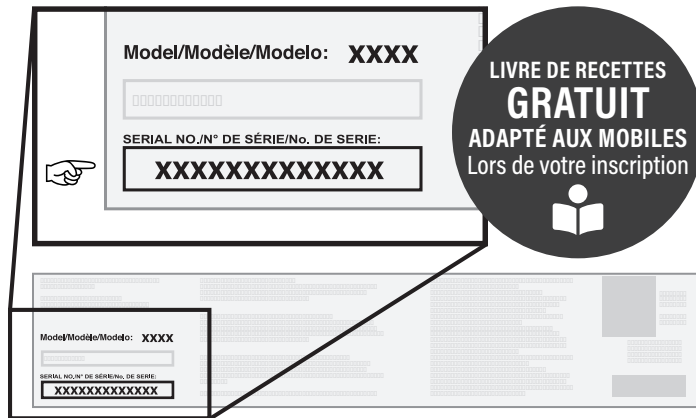


ACTIVEZ VOTRE GARANTIE

La garantie d'un an de North Atlantic Imports LLC couvre les pièces de rechange jusqu'à un an après la date d'achat.

POUR ACTIVER CETTE GARANTIE, VOUS DEVREZ FOURNIR:

☞ Numéro de série de votre appareil



Le numéro de série se trouve sur l'étiquette du fabricant de votre appareil. (L'étiquette du fabricant est un grand autocollant argenté apposé sur le corps de votre appareil.)



Enregistrez votre appareil sur BlackstoneProducts.com/register

PRÉSENTATION DE LA GARANTIE

North Atlantic Imports, le fabricant, garantira pendant un an à compter de l'achat toutes les pièces, la fabrication et les finitions. Ce sera l'option du fabricant de réparer ou de remplacer l'un des éléments ci-dessus. Toutes les garanties sont limitées à l'acheteur d'origine uniquement. Cette garantie ne couvre aucune responsabilité de la part de North Atlantic Imports, de ses agents ou employés, pour tout dommage indirect ou consécutif résultant d'une violation de la garantie. L'acheteur doit suivre les instructions d'utilisation du fabricant.

Le fabricant n'est en aucun cas responsable des dommages résultant d'une mauvaise utilisation de la station de cuisson. Il est de la responsabilité de l'acheteur d'établir la période de garantie en vérifiant la date d'achat originale avec le reçu de vente original.

EXPLICATION DÉTAILLÉE DE LA GARANTIE

North Atlantic Imports LLC garantit au propriétaire que le produit couvert par cet accord est exempt de défauts de matériaux et de fabrication dans des conditions normales d'utilisation et de service pour lesquelles il était destiné si, mais seulement si, il a été utilisé conformément à North Atlantic Imports LLC instructions exclusivement pour un usage domestique, et non pour un club privé ou public, à des fins institutionnelles ou commerciales.

L'obligation de North Atlantic Imports LLC en vertu de cette garantie est limitée au remplacement ou à la réparation, sans frais, de toute pièce ou pièces qui peuvent s'avérer, à la satisfaction de North Atlantic Imports LLC, défectueuses dans le cadre d'une utilisation et d'un entretien domestiques normaux dans les périodes indiquées ci-dessous, de temps à compter de la date d'achat ; pendant un an à compter de l'achat, toutes les pièces, la finition et la fabrication. En cas de non-conformité à cette garantie pendant les périodes de garantie applicables indiquées ci-dessus, l'acheteur d'origine doit informer North Atlantic Imports LLC de la violation de la garantie pendant la période de garantie applicable.

North Atlantic Imports LLC doit, sur notification et conformité de l'acheteur d'origine avec ces instructions, corriger cette non-conformité en réparant ou en remplaçant la ou les pièces défectueuses.

La correction de la manière indiquée ci-dessus constituera l'accomplissement de toutes les obligations de North Atlantic Imports LLC en ce qui concerne la qualité du produit.

North Atlantic Imports LLC ne garantit pas que cet équipement réponde aux exigences de tout code de sécurité d'un état, d'une municipalité ou d'une autre juridiction, et l'acheteur d'origine assume tous les risques et responsabilités résultant de son utilisation, qu'il soit utilisé conformément à North Atlantic Imports instructions LLC ou autrement.

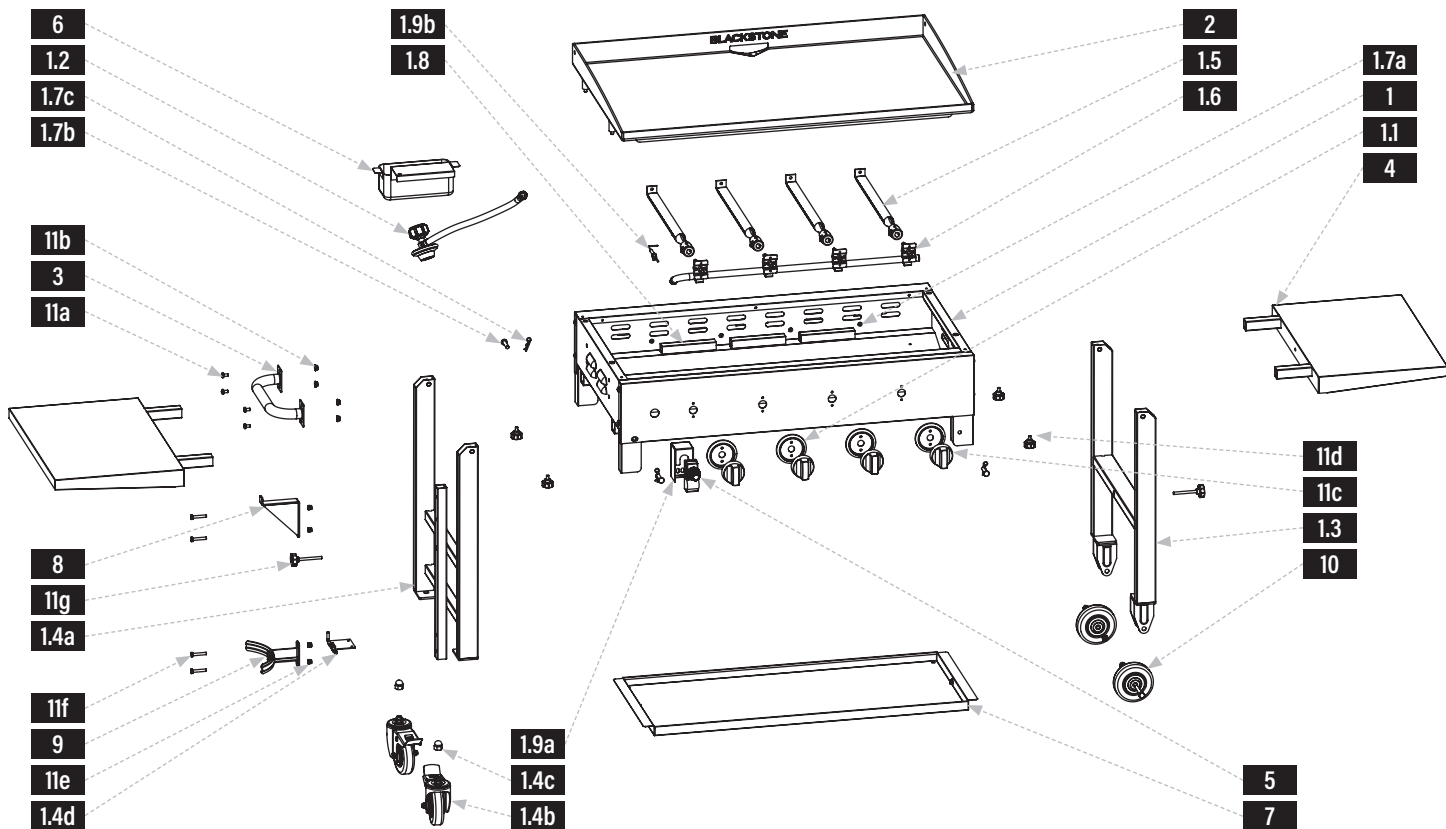
Cette garantie ne couvre pas et est destinée à exclure toute responsabilité de la part de North Atlantic, ses agents, préposés ou employés, que ce soit en vertu de cette garantie ou implicite par la loi pour tout dommage indirect ou consécutif en cas de violation de toute garantie. L'acheteur doit établir toutes les périodes de garantie applicables conformément à cette garantie en vérifiant la date d'achat originale en produisant le reçu de vente daté. Cette garantie ne s'applique pas à ce produit ou à toute autre partie de celui-ci qui a fait l'objet d'un accident, d'une négligence, d'une altération, d'un abus ou d'une mauvaise utilisation ou qui a été réparé ou modifié sans le consentement écrit de North Atlantic, en dehors de l'usine de North Atlantic Imports LLC. La garantie complète du fabricant n'est pas valable pour les plaques chauffantes achetées auprès de revendeurs tiers sans licence, achetées à prix réduit en raison de pièces manquantes ou endommagées, ou achetées en tant que modèle de plancher ; à la discrétion de North Atlantic Imports.

North Atlantic Imports LLC n'offre aucune garantie quant aux accessoires ou pièces non fournis avec. Cette garantie ne s'applique qu'à l'intérieur des frontières des États-Unis d'Amérique. Cette garantie donne à l'acheteur d'origine des droits spécifiques, et l'acheteur d'origine peut également avoir d'autres droits, qui varient d'un état à l'autre.



GUIDE D'ASSEMBLAGE

VUE ÉCLATÉE



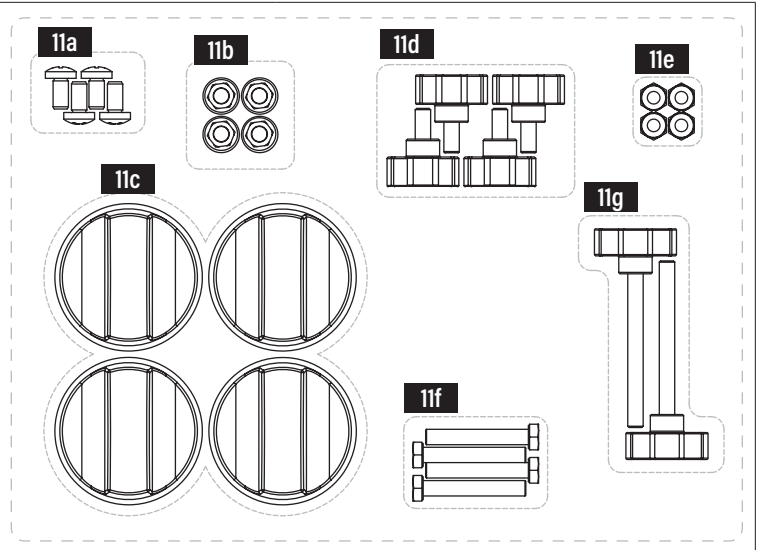
Liste des pièces

PIÈCES	QTÉ	PIÈCES	QTÉ	PIÈCES	QTÉ	PIÈCES	QTÉ
1.1 Lunette de bouton	4	1.4a Assemblage de la jambe gauche	1	1.5 Brûleurs tubulaires	4	1.8 Canaux de transfert de flamme	3
1.2 Régulateur	1	1.4b Roulettes	2	1.6 Rampe de gaz	1	1.9a Bouclier thermique d'allumage	1
1.3 Assemblage jambe droite	1	1.4c Écrou borgne	2	1.7a Vis M5	4	1.9b Aiguille d'allumage	1
		1.4d Tirette	1	1.7b Axes de chape	4		
				1.7c Broches R	4		

1 Corps de plancha (1 pièce) 	2 Plancha (1 pièce) 	3 Poignée latérale (1 pièce) 	4 Étagères latérales (2 pièces)
5 Bouton d'allumage (1 pièce) 	6 Pot à graisse (1 pièce) 	7 Plateau inférieur (1 pièce) 	8 Crochet GPL (1 pièce)
		9 Support GPL (1 pièce) 	10 Roues (2 pièces)



- 11** PACK MATÉRIEL (1 PIÈCE)
- a. Boulons M6x12 (4 pièces)
 - b. Écrous à embase M6 (4 pièces)
 - c. Boutons de commande (4 pièces)
 - d. Petites vis à oreilles (4 pièces)
 - e. Contre-écrous M6 (4 pièces)
 - f. Boulons M6x38 (4 pièces)
 - g. Grandes vis à oreilles (2 pièces)



INSTRUCTIONS DE MONTAGE

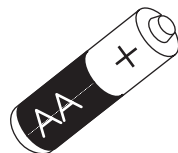
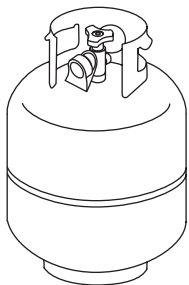
Trouvez une grande surface propre pour assembler votre appareil.
Retirez tous les matériaux d'emballage avant l'assemblage.

⚠ ATTENTION

Bouts pointus. Portez des gants lors de l'assemblage.

⚠ ATTENTION

Morceaux lourds. Deux personnes doivent assembler cet appareil.

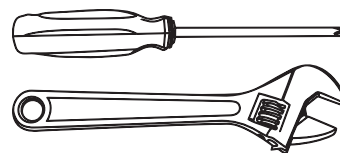


NON INCLUS:

Bouteille GPL
Taille: 45 x 30 cm (18 x 12 po), 9 kg (20 lb)
La bouteille de GPL doit inclure un collier pour protéger le robinet de la bouteille de GPL.

NON INCLUS:

Pile AA



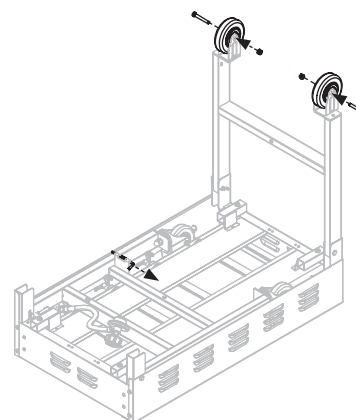
OUTILS NÉCESSAIRES:

Tournevis cruciforme et clé à molette

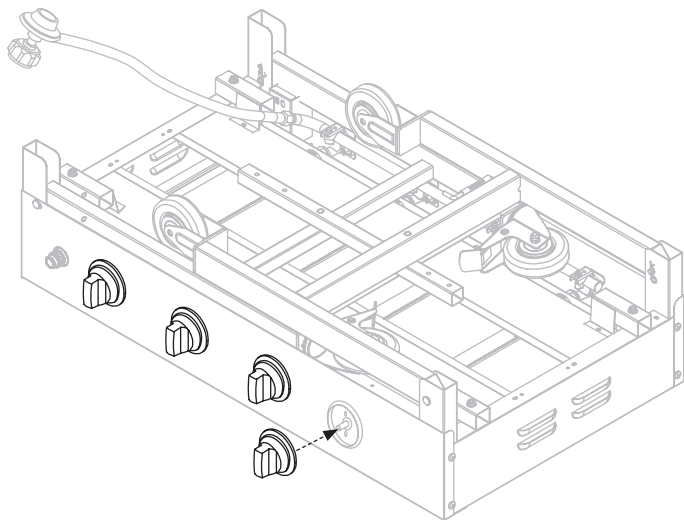
ÉTAPE 01 Avec l'aide d'une autre personne, retirez le corps de la plaque chauffante de l'emballage et posez-le à l'envers sur une surface lisse et plane.

Tirez sur la goupille de verrouillage pour libérer les assemblages de pieds et élevez-les en position verticale.

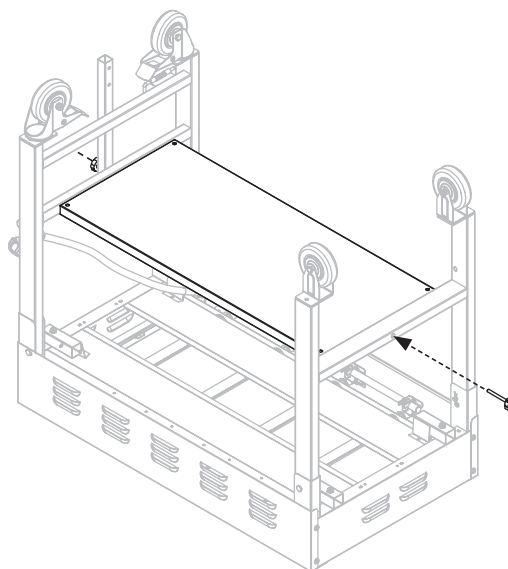
Fixez les roues à l'assemblage du pied droit.



ÉTAPE 02 Installez les quatre (4) boutons de commande en les poussant en place en position OFF.



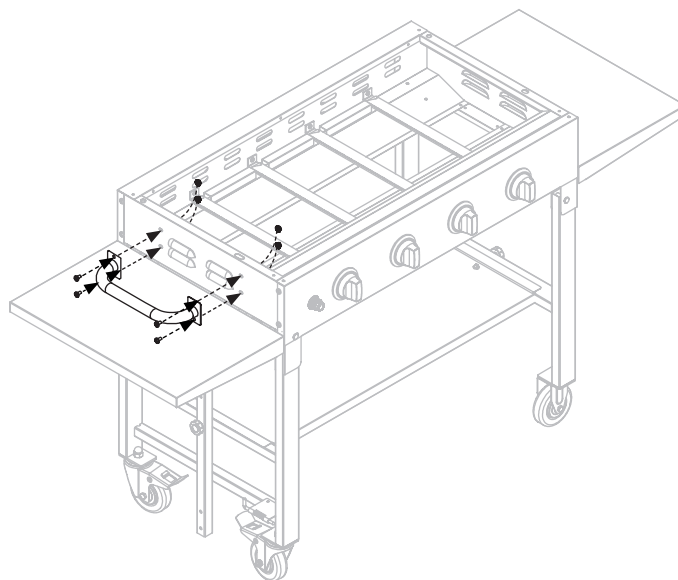
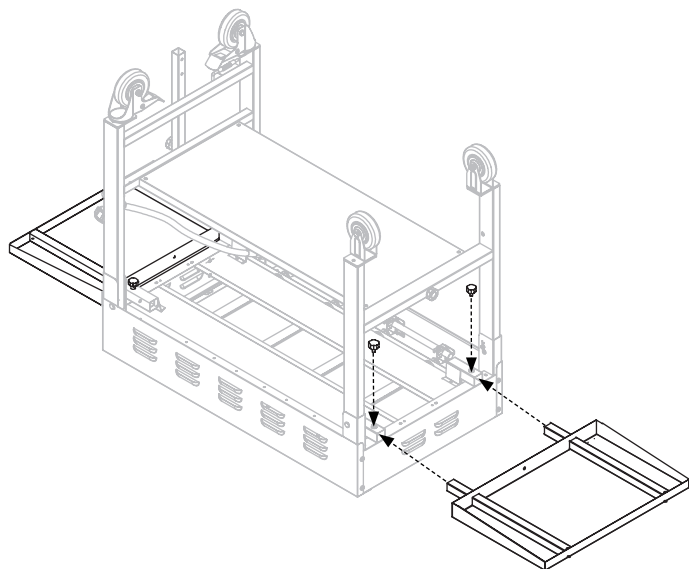
ÉTAPE 03 Utilisez deux (2) grandes vis à oreilles pour installer la tablette inférieure entre les assemblages de pieds.



ÉTAPE 04 Installez la tablette latérale droite en faisant glisser le montant de la tablette dans le support de montage. Utilisez deux (2) petites vis à oreilles pour fixer. Répétez sur le côté gauche avec deux (2) autres petites vis à oreilles.

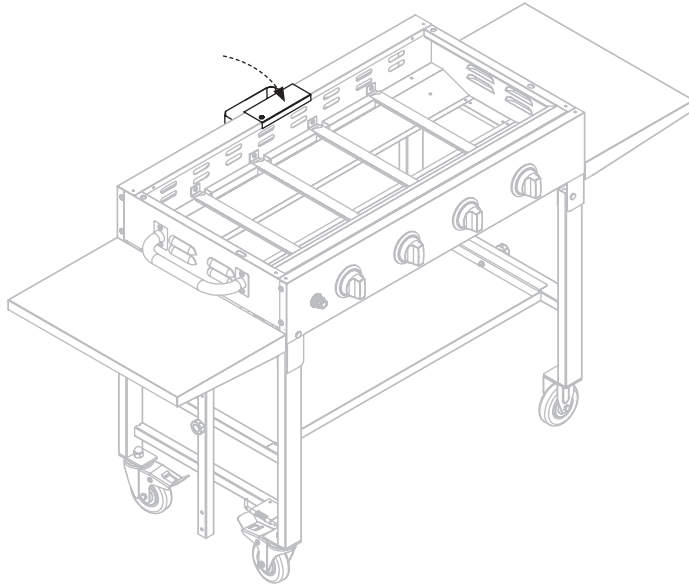
ÉTAPE 05 Avec l'aide d'une autre personne, placez la plancha sur ses roulettes.

Utilisez quatre (4) boulons M6 et quatre (4) écrous à embase M6 pour fixer la poignée latérale sur le côté gauche du corps de la plaque chauffante.

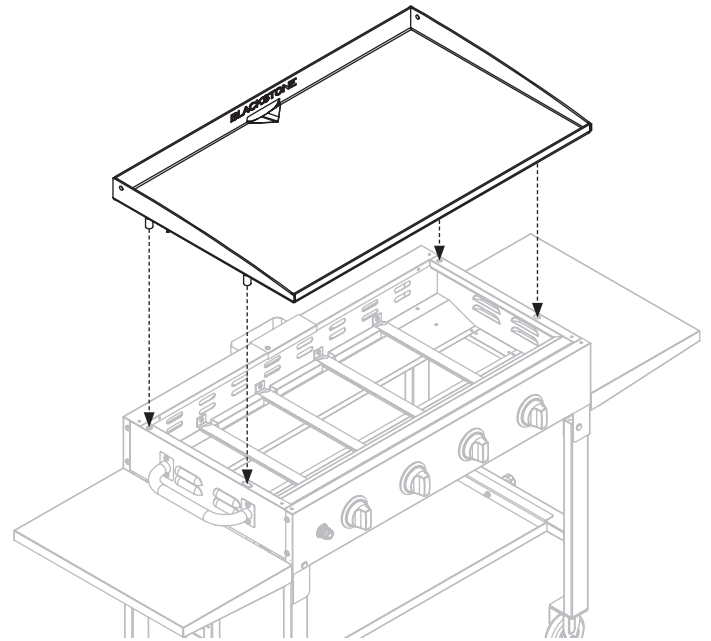




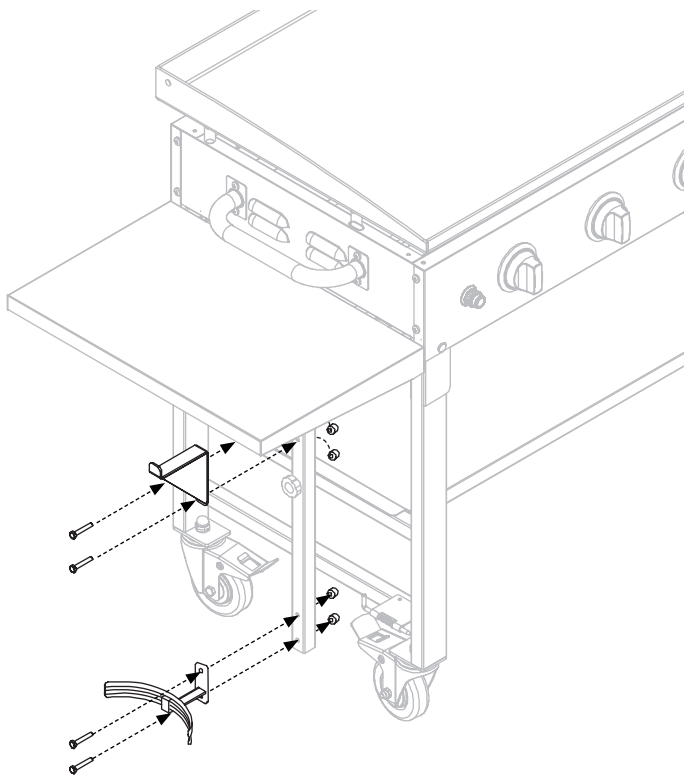
ÉTAPE 06 Accrochez le bac à graisse à l'arrière du corps de la plaque chauffante au centre de l'appareil.



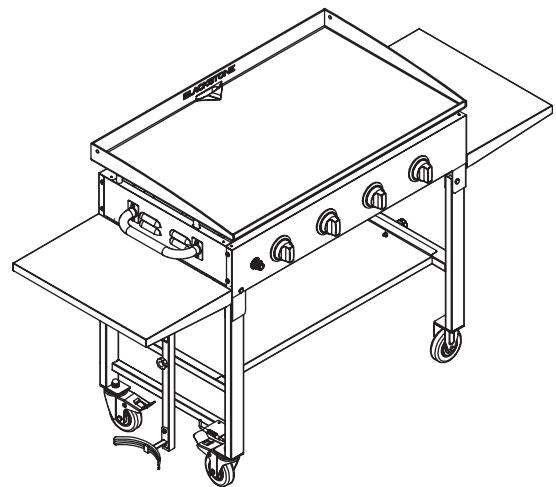
ÉTAPE 07 Avec l'aide d'une autre personne, placez le dessus de la plaque chauffante sur le corps de la plaque chauffante en alignant les quatre goupilles de pied sur les trous situés sur le dessus de l'appareil.



ÉTAPE 08 Utilisez deux (2) boulons M6x38 pour fixer le crochet GPL à la barre GPL. Utilisez deux (2) contre-écrous M6 pour le fixer par l'arrière. Utilisez deux (2) boulons M6x38 pour fixer le support GPL à la barre GPL. Utilisez deux (2) contre-écrous M6 pour le fixer par l'arrière.



ÉTAPE 09 Passez à **UTILISATION DE VOTRE BLACKSTONE.**



ATTENTION

La poignée deviendra chaude pendant l'utilisation de l'appareil.
Ne touchez pas la poignée lorsque l'appareil est chaud.

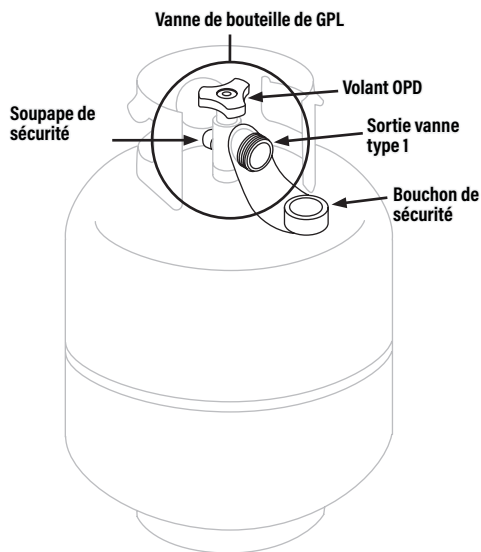
AVIS

- Le poids maximum sur la tablette latérale est de 10 lb (4,5 kg).
- L'étagère latérale peut devenir chaude pendant l'utilisation de l'appareil.

UTILISATION DE VOTRE BLACKSTONE

LA VALVE DE LA BOUTEILLE DE GPL DOIT AVOIR:

- Sortie vanne type 1 (filetage extérieur).
- Soupape de sécurité.
- Dispositif de protection contre les débordements (OPD) homologué UL. Cette fonction de sécurité OPD est identifiée par un volant triangulaire unique.
- Bouchon de sécurité (bouchon anti-poussière).



SÉCURITÉ DU DÉTENDEUR

⚠ AVERTISSEMENT

Un filetage croisé peut se produire si vous forcez le filetage d'une connexion à un angle incorrect. Cela endommagera les filetages, entraînera une fuite de propane et pourrait entraîner une accumulation de carburant qui peut s'enflammer. **NE PAS** fausser le filetage de la connexion entre votre bouteille de GPL et le régulateur.

⚠ AVERTISSEMENT

Si vous ne pouvez pas connecter le régulateur, **N'UTILISEZ PAS** le régulateur. Le régulateur doit être remplacé par un modèle approuvé par Blackstone par un revendeur professionnel agréé.

Utilisez cet appareil, tel qu'il a été acheté, uniquement avec le gaz et l'ensemble régulateur/valve fournis.

RACCORDS ET TUYAUX

- Une vérification et un serrage annuels des raccords métalliques sont recommandés.
- ⚠ Gardez le tuyau d'alimentation en carburant à l'écart de toute surface chauffée.
- Avant chaque utilisation, vérifiez si les tuyaux sont coupés ou usés.

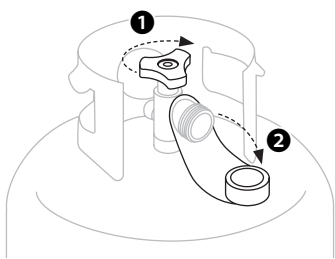
Remplacez le tuyau endommagé avant d'utiliser l'appareil. (Utilisez uniquement des pièces de rechange approuvées par Blackstone pour la valve, le tuyau ou le régulateur. Le non-respect de cette consigne annulera la garantie.)

CONNECTEZ LA BOUTEILLE DE GPL

9 KG (20 LB)

ÉTAPE 01 Tournez les boutons de commande sur OFF.

- 1 Assurez-vous que la bouteille de GPL est éteinte en tournant le volant OPD dans le sens des aiguilles d'une montre jusqu'à l'arrêt complet.
- 2 Retirez le bouchon de sécurité de la sortie de la vanne de type 1.

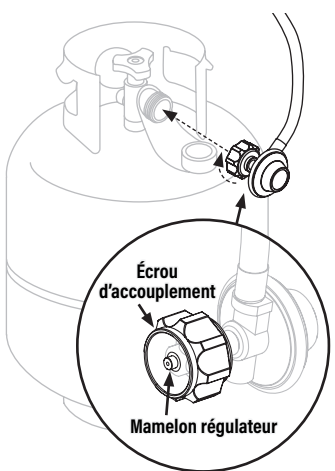


ÉTAPE 02 Maintenez le régulateur en ligne droite avec la sortie de la vanne de type 1 afin de **NE PAS** fausser le filetage de la connexion.

Centrez et insérez le mamelon du régulateur dans la sortie de la vanne de type 1.

Serrez à la main l'écrou d'accouplement dans le sens des aiguilles d'une montre. (N'UTILISEZ PAS d'outils pour vous connecter.)

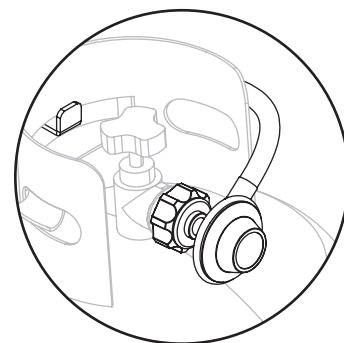
Si la connexion ne peut pas être terminée, débranchez le régulateur et répétez cette étape.



⚠ Le système d'alimentation de la bouteille de GPL doit être prévu pour le prélèvement de vapeur.

Gardez toujours les nouvelles bouteilles de GPL en position verticale pendant l'utilisation, le transport ou le stockage.

ÉTAPE 03 Fixez la bouteille de GPL à l'appareil en l'accrochant au crochet GPL de manière à ce qu'elle s'emboîte contre le support GPL.





INSTRUCTIONS DE TEST DE FUITE

NOTICE

N'UTILISEZ PAS de produits de nettoyage ménagers. Des dommages au robinet de gaz, au tuyau et aux composants du régulateur peuvent en résulter.

Utilisez un pinceau propre et une solution d'eau et de savon doux 10/90 pour effectuer le test de fuite.

TEST DE FUITE: BOUTEILLE DE GPL

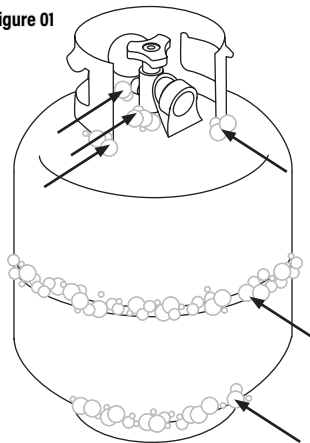
- Testez les fuites des bouteilles de GPL neuves et échangées AVANT de les connecter à la plaque chauffante.
- Ne fumez pas pendant le test de fuite.
- N'UTILISEZ PAS de flamme nue pour vérifier les fuites de gaz.
- L'appareil doit faire l'objet d'un test d'étanchéité à l'extérieur dans un endroit bien ventilé, loin des sources d'inflammation telles que les appareils à gaz ou électriques.
- Pendant le test de fuite, éloignez l'appareil des flammes nues ou des étincelles.

ÉTAPE 01 Appliquez une solution savonneuse sur les joints de la bouteille de GPL.

(Indiqué par des flèches dans la figure 01.)

- Les fuites sont indiquées par des bulles en croissance.

Figure 01



⚠ AVERTISSEMENT

Si des bulles en croissance apparaissent pendant le test de fuite, N'UTILISEZ PAS ou ne déplacez pas la bouteille de GPL.

Contactez immédiatement un fournisseur de GPL ou un service d'incendie.

TEST DE FUITE: VANNES, TUYAU ET RÉGULATEUR

ÉTAPE 01 Tournez les boutons de commande sur OFF.

ÉTAPE 02 Connectez le régulateur à la bouteille de GPL.

ÉTAPE 03 Ouvrez complètement le réservoir de GPL en tournant le volant OPD dans le sens inverse des aiguilles d'une montre.

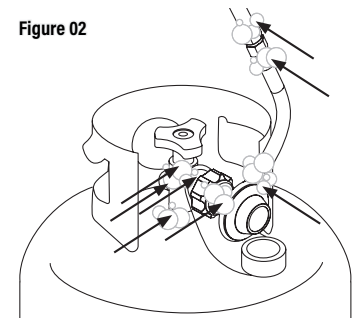
- Si vous entendez un bruit de précipitation, coupez immédiatement le gaz. Il y a une grosse fuite au niveau du raccordement.
- Fermez immédiatement la bouteille de GPL en tournant le volant OPD dans le sens des aiguilles d'une montre et resserrez les raccords. Si les fuites ne peuvent pas être arrêtées, N'ESSEYER PAS DE RÉPARER.

ÉTAPE 04 Appliquez une solution savonneuse sur les joints des vannes et du régulateur.

(Indiqué par des flèches dans la figure 02.)

- Les fuites sont indiquées par des bulles en croissance.
- Fermez immédiatement la bouteille de GPL en tournant le volant OPD dans le sens des aiguilles d'une montre et resserrez les raccords.

Figure 02



⚠ AVERTISSEMENT

Si les fuites ne peuvent pas être arrêtées, N'ESSEYER PAS de les réparer.

Le régulateur doit être remplacé par un modèle approuvé par Blackstone par un revendeur professionnel agréé.

PREMIER NETTOYAGE

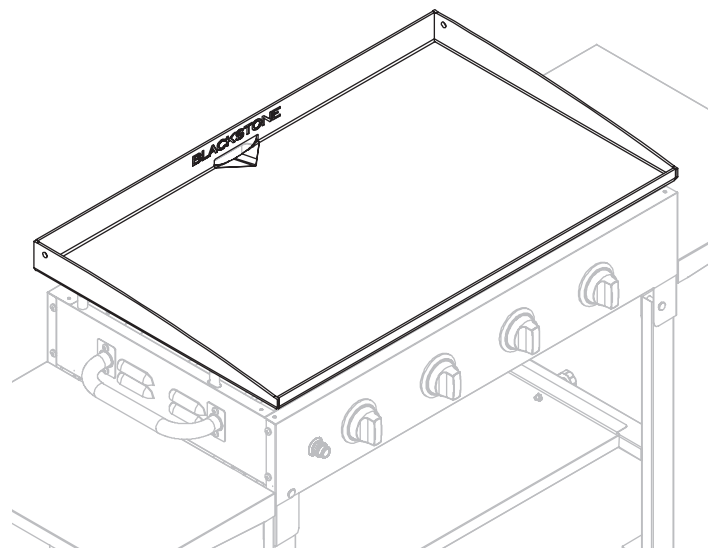
NETTOYER LE DESSUS DE VOTRE PLAQUE CHAUFFANTE

AVIS

Le savon ruinerait une plaque chauffante assaisonnée. C'est la seule fois où vous devez utiliser du savon sur la surface de cuisson de la plaque chauffante.

ÉTAPE 01 Lavez la surface de cuisson de la plaque chauffante avec de l'eau chaude savonneuse.

ÉTAPE 02 Rincez et séchez complètement.



INSTRUCTIONS D'ALLUMAGE

1. CLAPETS ANTI-RETOUR

ÉTAPE 01 Tourner les boutons en position OFF.

ÉTAPE 02 Poussez les boutons et relâchez. Les boutons doivent rebondir.

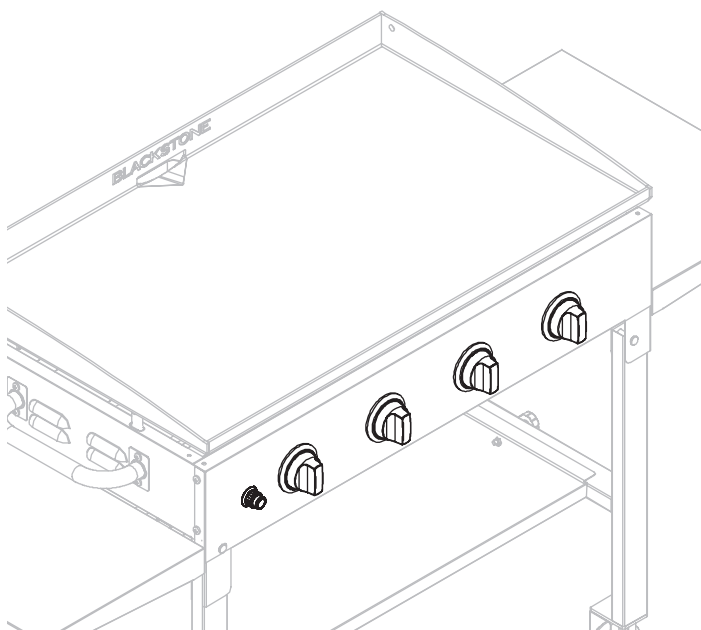
ÉTAPE 03 Si les boutons ne reviennent pas, remplacez l'assemblage de la valve avant d'utiliser l'appareil.

ÉTAPE 04 Tournez les boutons sur LOW puis remettez-les sur OFF. Les boutons doivent tourner en douceur.

⚠ AVERTISSEMENT

Si le brûleur ne s'allume pas alors que le robinet de la bouteille de GPL est ouvert, le gaz continuera de s'écouler du brûleur et pourrait s'enflammer accidentellement/par inadvertance avec un risque de blessure.

Assurez-vous que le gaz est coupé au robinet d'arrêt d'alimentation avant de vérifier les robinets de l'appareil.



3. VÉRIFIER LA FLAMME DU BRÛLEUR

Vérifiez toujours la flamme du brûleur avant utilisation.

ÉTAPE 01 Allumez les brûleurs et tournez les boutons de HAUT à BAS.

ÉTAPE 02 Regardez sous la table de cuisson pour voir les brûleurs. Lorsque le bouton est sur HAUT, les flammes doivent être plus grandes que lorsque le bouton est sur BAS.

⚠ AVERTISSEMENT

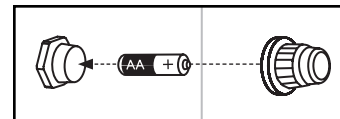
Un tube de brûleur obstrué peut provoquer un incendie sous l'appareil.

Le brûleur doit être retiré et nettoyé chaque année ou chaque fois qu'une forte accumulation ou des insectes/nids d'insectes sont trouvés.

2. ALLUMAGE ALIMENTÉ PAR BATTERIE

⚠ Ne vous penchez pas sur l'appareil pendant l'allumage.

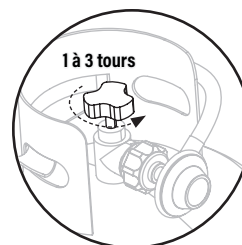
ÉTAPE 01 Insérez une (1) pile AA (non incluse) sous le bouton d'allumage. Visser le bouton en place sur la borne positive.



ÉTAPE 02

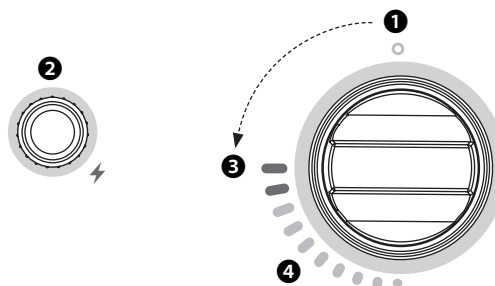
1 Tournez le bouton de commande sur OFF.

ÉTAPE 03 Ouvrez le gaz au niveau de la bouteille de GPL en tournant le volant OPD dans le sens inverse des aiguilles d'une montre de 1 à 3 tours.



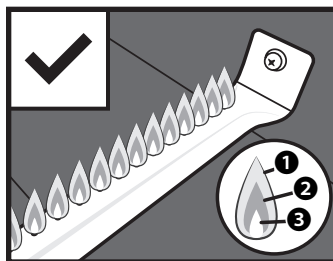
ÉTAPE 04

- 2 Appuyez sur le bouton d'allumage et maintenez-le enfoncé.
- 3 Poussez et tournez le bouton de commande dans le sens inverse des aiguilles d'une montre jusqu'à HAUT. (Lâchez le bouton d'allumage lorsque le brûleur s'allume.)
- 4 Réglez la température au niveau souhaité.



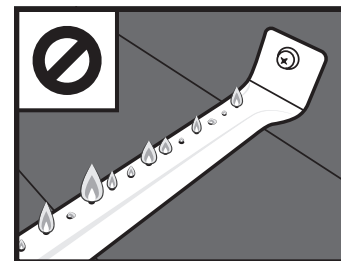
Pour allumer les brûleurs restants : en commençant par le brûleur le plus proche de l'aiguille d'allumage, tournez chaque bouton de brûleur dans l'ordre vers élevé.

MODÈLE DE FLAMME DE BRÛLEUR SAIN



- 1 Scintillement de couleur jaune.
- 2 Couleur bleu foncé.
- 3 Bleu vif.

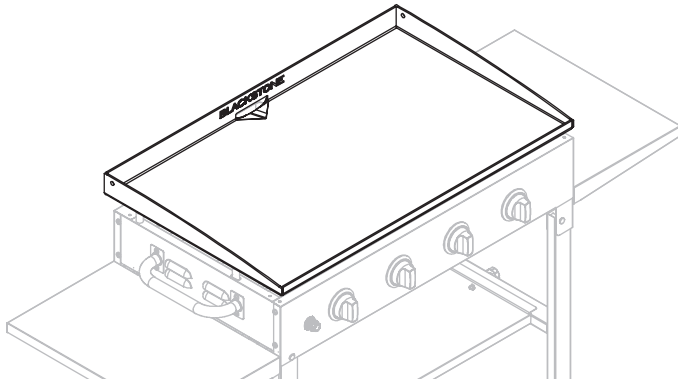
LES FLAMMES DU BRÛLEUR SONT JAUNES OU IRRÉGULIÈRES



En cas de chute soudaine ou de problème de flamme faible, veuillez consulter le chapitre Dépannage.



INSTRUCTIONS D'ASSAISONNEMENT POUR PLAQUE CHAUFFANTE



QUELLE HUILE EST PRÉFÉRABLE D'UTILISER?

- Blackstone Seasoning and Cast Iron Conditioner.
- Toute huile de cuisson à base de plantes.
- Graisse animale fondue sans additifs.



DIDACTICIEL VIDÉO

Comment assaisonner une nouvelle plaque chauffante Blackstone

▶ youtube.com/watch?v=VspmDVnj2pl&t=3s

ÉTAPE 01 Essayez tous les débris du dessus de la plaque chauffante.



ÉTAPE 02 Réglez votre plaque chauffante à feu vif jusqu'à ce que le dessus de votre plaque chauffante change de couleur. (~10 minutes)



ÉTAPE 03 Utilisez des pinces pour tenir une serviette en papier ou un chiffon en coton et étalez 2 à 3 cuillères à soupe de votre huile d'assaisonnement sur tout le dessus de la plaque chauffante.

Lorsque vous assaisonnez le dessus de votre plaque chauffante, n'oubliez pas d'utiliser une couche d'huile fine et uniforme - plus la couche d'huile est fine, plus il sera facile de la brûler.



ÉTAPE 04 Le dessus de la plaque chauffante est prêt pour une autre couche d'huile lorsqu'il cesse de fumer. Répétez **L'ÉTAPE 03** 3 à 4 fois ou jusqu'à ce que la surface de la plaque chauffante soit noire.



DÉPANNAGE DE L'ASSAISONNEMENT

IL Y A UN RÉSIDU BRUNÂTRE SUR LA SURFACE DE LA PLAQUE CHAUFFANTE:

CAUSES POSSIBLES

- Trop d'huile a été utilisée.
- Vous avez éteint le chauffage trop tôt.

LA SOLUTION

ÉTAPE 01 Allumez votre plaque chauffante à feu vif et laissez-la chauffer pendant 10 à 15 minutes.

ÉTAPE 02 Grattez autant que possible l'huile épaissie et partiellement cuite.

ÉTAPE 03 Réassaisonnez avec une très fine couche d'huile.

LES BORDS DE LA SURFACE DE LA PLAQUE CHAUFFANTE NE SONT PAS NOIRS:

Après avoir utilisé votre plaque chauffante pour plusieurs cuisiniers, l'assaisonnement s'uniformisera et s'améliorera.

PRÉVENTION DE LA ROUILLE

Utilisez fréquemment votre plancha. Chaque fois que vous cuisinez, vous ajoutez de l'assaisonnement, ce qui rend la rouille moins probable.

AVIS

Si vous vivez dans un climat humide ou côtier, votre plancha peut nécessiter des assaisonnements plus fréquents entre les utilisations.

Si de la rouille apparaît sur la surface de la plaque chauffante, frottez-la avec de la laine d'acier, du papier de verre à faible grain ou la **Blackstone Pumice Stone** et ré-assaisonnez la surface.



DIDACTICIEL VIDÉO

Récupération de votre plaque chauffante Blackstone

▶ youtube.com/watch?v=thPE2lgnSil

CUISINER SUR VOTRE BLACKSTONE

⚠ DANGER

Les objets inflammables peuvent s'enflammer spontanément s'ils sont placés à proximité de l'appareil. Ne placez pas d'objets inflammables tels que des bombes aérosols, des serviettes huileuses ou grasses près de la surface de cuisson.

⚠ ATTENTION

Cet appareil sera chaud pendant et après utilisation. Ne manipulez pas les pièces chaudes avec les mains non protégées. Utilisez des ustensiles de cuisine à long manche et des gants de cuisine.

AVIS

Ne rangez aucun article à moins de 3 po (8 cm) de la surface de cuisson pendant son utilisation.

SI DE LA GRAISSE OU UN AUTRE MATÉRIAU CHAUD S'ÉGOUTTE SUR LA VANNE, LE TUYAU OU LE RÉGULATEUR:

ÉTAPE 01 Coupez immédiatement l'alimentation en gaz.

ÉTAPE 02 Déterminez la cause et corrigez-la.

ÉTAPE 03 Nettoyez et inspectez la vanne, le tuyau et le régulateur.

ÉTAPE 04 Effectuez un test de fuite. (Veuillez vous référer aux instructions de test de fuite dans le **UTILISATION DE VOTRE BLACKSTONE.**)

RECETTES VIDÉO

Trouvez des recettes et des conseils de cuisine sur:

[BlackstoneProducts.com/blogs/recipes](https://www.blackstoneproducts.com/blogs/recipes)

[youtube.com/c/BlackstoneGriddles](https://www.youtube.com/c/BlackstoneGriddles)

[f](https://www.facebook.com/blackstoneproducts) [i](https://www.instagram.com/blackstoneproducts) [@blackstoneproducts](https://www.pinterest.com/blackstoneproducts)



PETIT-DÉJEUNER
Pancakes aux fraises et à la crème

DÉJEUNER
Burger aux oignons frits de l'Oklahoma



DÎNER
Tacos borrachos

NETTOYAGE DE VOTRE APPAREIL

Nettoyez votre appareil après chaque utilisation, après qu'il soit froid au toucher.

- N'UTILISEZ PAS de tampon abrasif sur les zones comportant des graphiques.
- Si une brosse à poils est utilisée pour nettoyer l'une des surfaces de cuisson, assurez-vous qu'aucun poil lâche ne reste sur les surfaces de cuisson avant la cuisson.

⚠ AVERTISSEMENT

L'accumulation de graisse peut provoquer un incendie. Nettoyez toute partie de l'appareil qui devient chaude et qui subit une accumulation de graisse après chaque utilisation.

PIÈCES EN PLASTIQUE ET SURFACES PEINTES:

Laver à l'eau chaude savonneuse et essuyer avec un chiffon non abrasif.

AVIS

N'UTILISEZ PAS de Citrisol, de nettoyants abrasifs ou de nettoyant concentré sur les pièces en plastique. Cela peut entraîner des dommages et une défaillance des pièces.

POUR CHAQUE SURFACE

Le **Blackstone Degreaser and Cleaning Spray** est assez doux pour nettoyer toutes les surfaces de votre appareil. Utilisez-le sur la surface de cuisson, le cadre de l'appareil ou partout où il y a une accumulation de graisse.



STOCKAGE D'APPAREILS

⚠ AVERTISSEMENT

Ne déplacez pas l'appareil pendant son utilisation. Laissez l'appareil refroidir à 115°F (45°C) avant de le déplacer ou de le ranger.

- ⚠ Lorsqu'il n'est pas utilisé, éteignez l'appareil en tournant les boutons de commande de l'appareil en position OFF et en fermant le robinet de carburant.
- ⚠ Lorsque l'alimentation en gaz est connectée à l'appareil, rangez l'appareil à l'extérieur dans un endroit frais, sec, bien ventilé et hors de portée des enfants.

GUIDE D'AJUSTEMENT DE COUVERTURE

Couvrez toujours votre appareil s'il est entreposé à l'extérieur.



Pour trouver une housse adaptée à votre appareil, visitez [BlackstoneProducts.com/support](https://www.blackstoneproducts.com/support).



NETTOYER LE DESSUS DE VOTRE PLANCHA

Nettoyez le dessus de la plaque chauffante après chaque utilisation, pendant qu'il est encore chaud.

- N'UTILISEZ PAS de savon sur le dessus de la plaque chauffante. Cela détruira l'assaisonnement de la plaque chauffante.
- Le bac à graisse doit être retiré et vidé après chaque utilisation.

⚠ ATTENTION

Le bac à graisse sera chaud pendant et après l'utilisation. Ne retirez pas le bac à graisse tant que la plaque chauffante n'est pas complètement refroidie.



DIDACTICIEL VIDÉO

Comment nettoyer votre plaque chauffante Blackstone
 ▶ [youtube.com/watch?v=-ledu9z6NPY](https://www.youtube.com/watch?v=-ledu9z6NPY)

ÉTAPE 01 Poussez les débris alimentaires dans le bac à graisse avec une spatule ou un grattoir métallique droit.



ÉTAPE 02 Essuyez le dessus de la plaque chauffante avec une serviette en papier.



ÉTAPE 03 Appliquez quelques cuillères à soupe d'eau sur la surface de la plaque chauffante, puis raclez l'eau et les débris dans le bac à graisse. (Pour les résidus alimentaires collés, utilisez un peu de gros sel.)



ÉTAPE 04 Essuyez à nouveau avec une serviette en papier et séchez complètement.



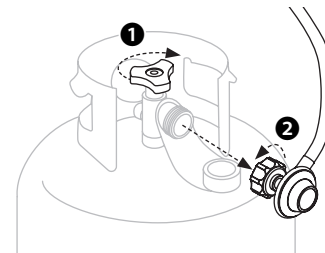
ÉTAPE 05 Appliquez une fine couche d'huile de cuisson pour maintenir l'assaisonnement et protéger le dessus de la plaque chauffante.



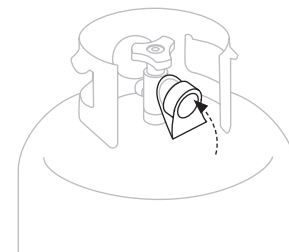
DÉBRANCHEZ LA BOUTEILLE DE GPL 9 KG (20 LB)

ÉTAPE 01 Assurez-vous que les boutons de commande sont sur OFF.

- 1 Assurez-vous que la bouteille de GPL est éteinte en tournant le volant OPD dans le sens des aiguilles d'une montre jusqu'à l'arrêt complet.
- 2 Tourner à la main l'écrou d'accouplement dans le sens inverse des aiguilles d'une montre pour retirer le régulateur. (N'UTILISEZ PAS d'outils pour déconnecter.)



ÉTAPE 02 Placez le capuchon de sécurité sur la sortie de la valve de la bouteille de GPL chaque fois que la bouteille n'est pas utilisée. N'installez que le type de bouchon de sécurité sur la sortie du robinet de la bouteille qui est fourni avec le robinet de la bouteille. D'autres types de bouchons ou de bouchons peuvent entraîner des fuites de propane.



STOCKAGE DES BOUTEILLES DE GPL

- ⚠ Ne stockez pas de bouteille de GPL de recharge sous ou à proximité de cet appareil.
- ⚠ Ne remplissez pas une bouteille de GPL à plus de 80%. Si les informations ci-dessus ne sont pas suivies à la lettre, un incendie causant la mort ou des blessures graves peut se produire.
- ⚠ Les bouteilles de GPL doivent être stockées à l'extérieur et hors de portée des enfants.
- ⚠ Ne stockez pas une bouteille de GPL à l'intérieur d'un bâtiment, d'un garage ou de tout autre espace clos.

REPLISSAGE & ÉCHANGE

- Utilisez uniquement les sociétés d'échange réputées qui inspectent, remplissent avec précision, testent et certifient leurs bouteilles. Le concessionnaire GPL doit purger la nouvelle bouteille avant de la remplir.
- Le volume de propane dans le réservoir varie selon la température.

⚠ AVERTISSEMENT

Un régulateur givré indique un débordement de gaz. Fermez immédiatement le robinet de la bouteille de GPL et appelez le revendeur de GPL local pour obtenir de l'aide.

- ⚠ Ne rejetez pas de gaz de pétrole liquéfié (GPL) dans l'atmosphère.
 - Pour retirer le gaz de la bouteille de GPL, contactez un revendeur de GPL certifié ou le service d'incendie local pour obtenir de l'aide.
 - Remplacez le réservoir uniquement par un réservoir équipé d'un dispositif de sécurité OPD.
- Votre revendeur peut vous aider à faire correspondre une bouteille de GPL de remplacement à votre appareil.

DÉPANNAGE

DÉPANNAGE D'ALLUMAGE

LE BRÛLEUR NE S'ALLUME PAS:

Si l'allumage ne se produit pas dans les 5 secondes:

ÉTAPE 01 Éteignez les commandes du brûleur.

ÉTAPE 02 Attendez 5 minutes.

ÉTAPE 03 Répétez la procédure d'allumage.

Si cela ne fonctionne pas, pour en déterminer la cause, essayez d'allumer votre appareil avec une allumette.

INSTRUCTIONS D'ALLUMAGE DES ALLUMETTES

Avant de commencer, vérifiez les fuites de gaz. (Veuillez vous référer aux instructions de test de fuite dans le **UTILISATION DE VOTRE BLACKSTONE.**)

ÉTAPE 01 Tourner le(s) bouton(s) de commande en position OFF.

ÉTAPE 02 Retirer la plaque de cuisson.

ÉTAPE 03 Allumez une allumette (ou un long briquet) d'au moins 11 pouces de long. Placez la flamme sur le côté droit ou gauche du brûleur.

ÉTAPE 04 Enfoncez et tournez le bouton de commande en position HAUTE. Assurez-vous que le brûleur s'allume et reste allumé.

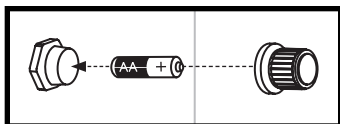
SI VOUS POUVEZ ALLUMER VOTRE APPAREIL AVEC UNE ALLUMETTE:

CAUSES POSSIBLES

Batterie morte / mal installée.

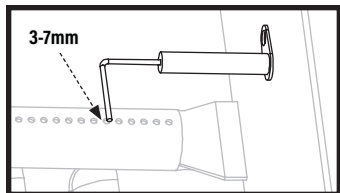
LA SOLUTION

Remplacez par une nouvelle batterie.



Fil d'allumage mal aligné.

Assurez-vous que l'aiguille d'allumage est positionnée à 3-7 mm du tube du brûleur et au-dessus d'un trou de brûleur.



Dommages au système d'allumage.

Contactez le service client pour les pièces de rechange.

SI VOUS NE PARVEZ PAS À ALLUMER VOTRE APPAREIL AVEC UNE ALLUMETTE:

CAUSES POSSIBLES

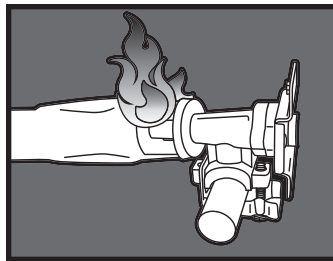
Les tubes de brûleur ne reçoivent pas de combustible.

LA SOLUTION

Nettoyez l'ensemble du brûleur pour éliminer l'obstruction.

DÉPANNAGE DU DÉBIT DE GAZ

UNE FLAMME SORT DE LA GRILLE D'AÉRATION:



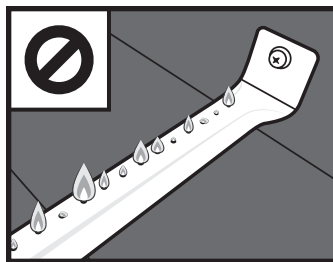
CAUSES POSSIBLES

Quelque chose bloque le venturi dans le tube du brûleur.

LA SOLUTION

Nettoyez l'ensemble du brûleur pour éliminer l'obstruction.

LES FLAMMES DU BRÛLEUR SONT JAUNES OU IRRÉGULIÈRES:



- L'appareil n'atteint pas une chaleur élevée ou chauffe de manière inégale.
- Les flammes du brûleur commencent à être fortes, puis chutent immédiatement au niveau bas même lorsque le brûleur est réglé en position haute.
- La hauteur de la flamme diminue lorsqu'un deuxième brûleur est allumé.
- Les flammes ne s'étendent pas sur toute la longueur du brûleur ou ne circulent que d'un côté du brûleur.
- Les flammes du brûleur sont irrégulières.

CAUSES POSSIBLES

Obstructions dans le brûleur, les jets de gaz ou la rampe de carburant.

LA SOLUTION

Nettoyez le brûleur, les jets et le tuyau de gaz.

La bouteille de GPL est vide ou faible.

Remplissez ou remplacez la bouteille de GPL.

Le limiteur de débit du régulateur s'est déclenché.

Réinitialisez le système de sécurité:

ÉTAPE 01 Éteignez l'appareil, fermez le robinet de la bouteille de GPL et déconnectez le régulateur de la bouteille de GPL.

ÉTAPE 02 Attendez cinq minutes pour permettre à la pression de se dissiper, puis reconnectez le régulateur à la bouteille de GPL et ouvrez lentement le volant OPD d'un demi-tour.

ÉTAPE 03 Allumez votre appareil.

Détendeur bloqué en position de sécurité.

Contact customer service for replacement parts.



NETTOYAGE DE L'ENSEMBLE BRÛLEUR



DIDACTICIEL VIDÉO

Comment nettoyer votre tube de brûleur
 ▶ [youtube.com/watch?v=xKQTCrFCzf8](https://www.youtube.com/watch?v=xKQTCrFCzf8)

ÉTAPE 01 Assurez-vous que le gaz est éteint au niveau des boutons de commande et de l'alimentation en gaz. Retirez la plaque de cuisson.

ÉTAPE 02 Détachez et retirez soigneusement le brûleur.



ÉTAPE 03 Nettoyez l'intérieur du brûleur:

- Passez plusieurs fois une brosse à bouteille étroite dans chaque tube de brûleur. (NE PAS utiliser de brosses métalliques)
- Faites passer un fil rigide plié en un petit crochet à travers chaque tube de brûleur plusieurs fois.
- Utilisez un tuyau d'air pour forcer l'air dans le tube du brûleur et les orifices du brûleur. Vérifiez que l'air souffle à travers chaque trou. (Porter des lunettes de protection)



ÉTAPE 04 Brossez toute la surface extérieure du brûleur pour enlever la saleté.

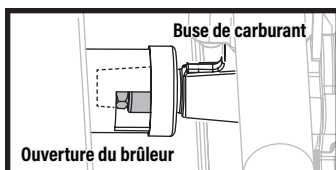


ÉTAPE 05 Nettoyez tous les ports bloqués avec un fil rigide tel qu'un trombone ouvert.



ÉTAPE 06 Remplacez soigneusement les brûleurs et rattachés-les.

⚠ La buse de carburant de la rampe de gaz doit être réengagée dans l'ouverture du brûleur.



SERVICE CLIENTS

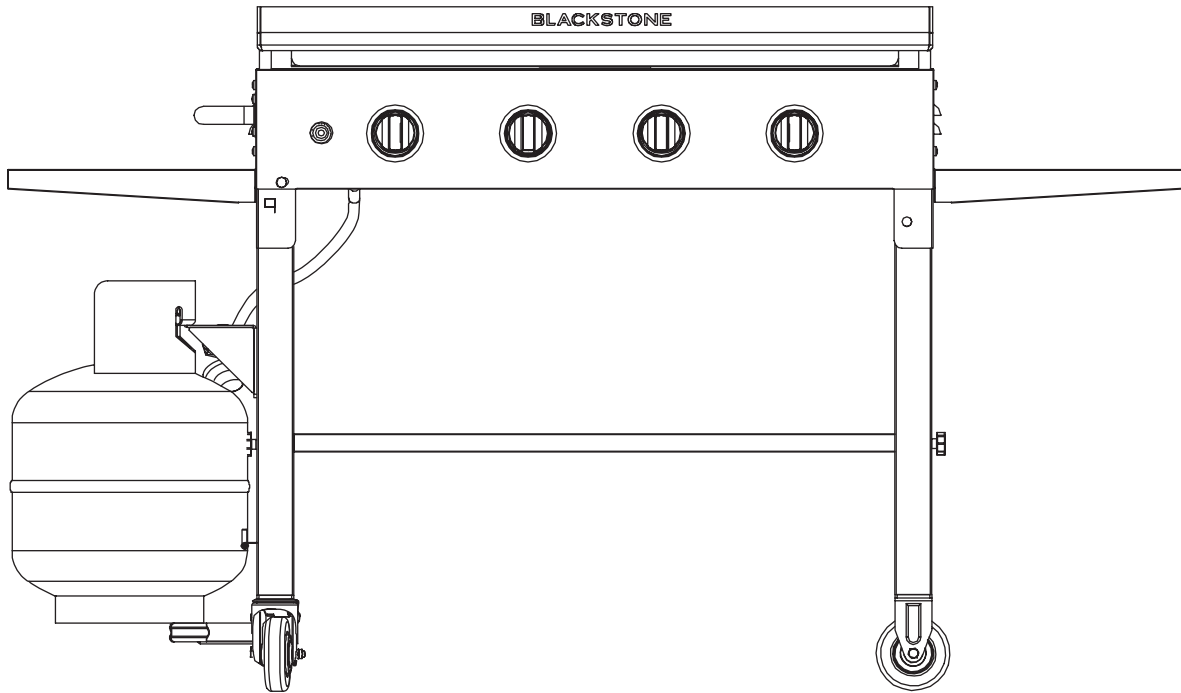
Visitez-nous en ligne sur [BlackstoneProducts.com/support](https://www.BlackstoneProducts.com/support) pour obtenir de l'aide concernant l'utilisation de l'appareil, les pièces de rechange ou votre garantie.

HEURES D'OUVERTURE DU SERVICE CLIENT:



Lundi vendredi
 7h00 - 17h00 (HNR)





MANUAL DEL PROPIETARIO

PLANCHA DE 36"

TABLA DE CONTENIDO

INFORMACION DE SEGURIDAD IMPORTANTE.....	02
ACTIVA TU GARANTÍA.....	03
GUÍA DE MONTAJE.....	04
USANDO SU BLACKSTONE.....	08
SOLUCIÓN DE PROBLEMAS.....	14



Para obtener la última versión de este manual, escanee este código o visite blackstoneProducts.com/support

IMPORTANTE:

Este manual de instrucciones contiene información importante necesaria para el correcto montaje y uso seguro del aparato.

Lea y siga todas las advertencias e instrucciones antes de ensamblar y usar el aparato.

Guarde este manual para referencia futura.

Instalador/Ensamblador: Deje estas instrucciones con el consumidor.

CLAVE DE ALERTA DE SEGURIDAD

⚠ PELIGRO

Indica una situación peligrosa que, si NO SE evita, provocará la muerte o lesiones graves.

⚠ ATENCIÓN

Indica una situación peligrosa que, si NO SE evita, podría provocar lesiones leves o moderadas.

⚠ ADVERTENCIA

Indica una situación peligrosa que, si NO SE evita, podría provocar la muerte o lesiones graves.

AVISO

Indica información que se considera importante, pero no relacionada con peligros (por ejemplo, mensajes relacionados con daños a la propiedad).

INFORMACION DE SEGURIDAD IMPORTANTE

⚠ PELIGRO

Si huele a gas:

- Cierre el suministro de gas al aparato.
- Apague cualquier llama abierta.
- Si el olor continúa, manténgase alejado del aparato y llame inmediatamente a su proveedor de gas o al departamento de bomberos.

⚠ ADVERTENCIA

- No almacene ni use gasolina u otros líquidos o vapores inflamables cerca de este o cualquier otro aparato.
- Un cilindro de GLP que no esté conectado para su uso no debe almacenarse cerca de este ni de ningún otro aparato.

⚠ ADVERTENCIA

- Este aparato se debe utilizar al aire libre solamente.
- PELIGRO DE MONÓXIDO DE CARBONO: EL USO DE ESTE APARATO EN UN ESPACIO CERRADO PUEDE CAUSAR LA MUERTE.
- UTILÍCELO ÚNICAMENTE EN ÁREAS BIEN VENTILADAS.
- NO UTILICE este aparato dentro de edificios, garajes, caravanas, tiendas de campaña, embarcaciones marinas, automóviles, casas rodantes o lugares similares.

SEGURIDAD DE LOS APARATOS DE GAS

NO HAGA FUNCIONAR ESTE APARATO SIN SUPERVISIÓN.

- El uso de alcohol, medicamentos recetados o de venta libre puede afectar la capacidad del consumidor para ensamblar correctamente u operar de manera segura el electrodoméstico.
- Mantenga a los niños y las mascotas alejados del aparato en todo momento.

TENGA A MANO UN EXTINTOR DE INCENDIOS TIPO BC O ABC.

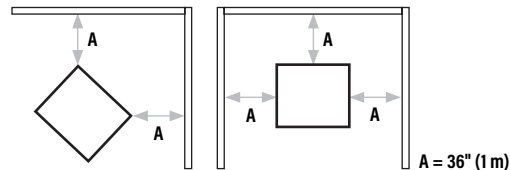
- En caso de incendio de aceite o grasa, NO INTENTE extinguirlo con agua. Llame inmediatamente al departamento de bomberos. Un extintor de incendios tipo BC o ABC puede, en algunas circunstancias, contener el fuego.

DO NOT USE FOR PURPOSES OTHER THAN INTENDED:

- NO MODIFIQUE este aparato.
- NO LO USE para cocinar comercialmente.
- NO UTILICE este aparato como calentador.
- NO INSTALE este aparato dentro o sobre un barco.
- NO INTENTE conectar este electrodoméstico al sistema de GLP autónomo de una caravana, vehículo recreativo o casa rodante.

MANTENGA LAS DISTANCIAS ADECUADAS DEL MATERIAL COMBUSTIBLE:

- NO USE este electrodoméstico sobre o debajo de ningún apartamento o balcón o terraza de condominio.
- NO UTILICE este aparato bajo construcciones combustibles elevadas.
- NO OPERE este aparato a menos de 36 pulgadas (1 m) de los lados y la parte posterior del aparato.



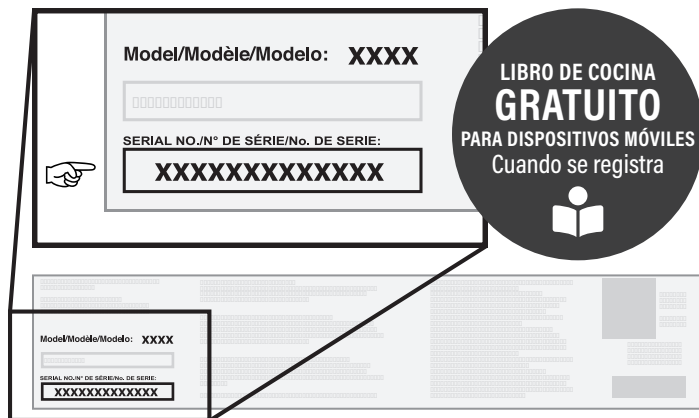


ACTIVA TU GARANTÍA

La garantía de 1 año de North Atlantic Imports LLC cubre las piezas de repuesto hasta un año después de la fecha de compra.

PARA HABILITAR ESTA GARANTÍA, DEBERÁ PROPORCIONAR:

☞ Número de serie de su electrodoméstico



El número de serie se puede encontrar en la etiqueta del fabricante de su electrodoméstico.

(La etiqueta del fabricante es una calcomanía plateada grande que se encuentra en el cuerpo de su electrodoméstico).



Registre su electrodoméstico en BlackstoneProducts.com/register

DESCRIPCIÓN GENERAL DE LA GARANTÍA

North Atlantic Imports, el fabricante, garantizará durante un año desde la compra todas las piezas, la mano de obra y los acabados. Será opción del fabricante reparar o reemplazar cualquiera de los elementos anteriores. Todas las garantías se limitan únicamente al comprador original. Esta garantía no cubre ninguna responsabilidad por parte de North Atlantic Imports, sus agentes o empleados, por daños indirectos o consecuentes por incumplimiento de la garantía. El comprador debe seguir las instrucciones de uso del fabricante.

Bajo ninguna circunstancia, el fabricante es responsable de los daños causados por la falta de operación adecuada de la estación de cocción. Es responsabilidad del comprador establecer el período de garantía verificando la fecha de compra original con el recibo de compra original.

EXPLICACIÓN DETALLADA DE LA GARANTÍA.

North Atlantic Imports LLC garantiza al propietario que el producto cubierto por este acuerdo está libre de defectos de material y mano de obra en condiciones normales de uso y servicio para el que fue diseñado si, pero solo si, ha sido operado de acuerdo con North Atlantic Imports LLC instrucciones exclusivamente para uso doméstico, y no para club privado o público, instituciones o fines comerciales.

La obligación de North Atlantic Imports LLC en virtud de esta garantía se limita a reemplazar o reparar, sin cargo, cualquier pieza o piezas que puedan resultar, a satisfacción de North Atlantic Imports LLC, como defectuosas bajo el uso y servicio doméstico normal dentro de los siguientes períodos establecidos de tiempo a partir de la fecha de compra; durante un año a partir de la compra, todas las piezas, el acabado y la mano de obra. En caso de que se manifieste alguna falta de conformidad con esta garantía durante los períodos de garantía aplicables mencionados anteriormente, el comprador original debe notificar a North Atlantic Imports LLC sobre el incumplimiento de la garantía dentro del período de garantía aplicable.

North Atlantic Imports LLC, previa notificación y cumplimiento por parte del comprador original de dichas instrucciones, corregirá dicha falta de conformidad mediante la reparación o el reemplazo de la pieza o piezas defectuosas.

La corrección en la forma prevista anteriormente constituirá el cumplimiento de todas las obligaciones de North Atlantic Imports LLC con respecto a la calidad del producto.

North Atlantic Imports LLC no garantiza que este equipo cumpla con los requisitos de ningún código de seguridad de ningún estado, municipio u otra jurisdicción, y el comprador original asume todos los riesgos y responsabilidades que resulten del uso del mismo, ya sea que se use de acuerdo con North Atlantic Imports Instrucciones de LLC o de otra manera.

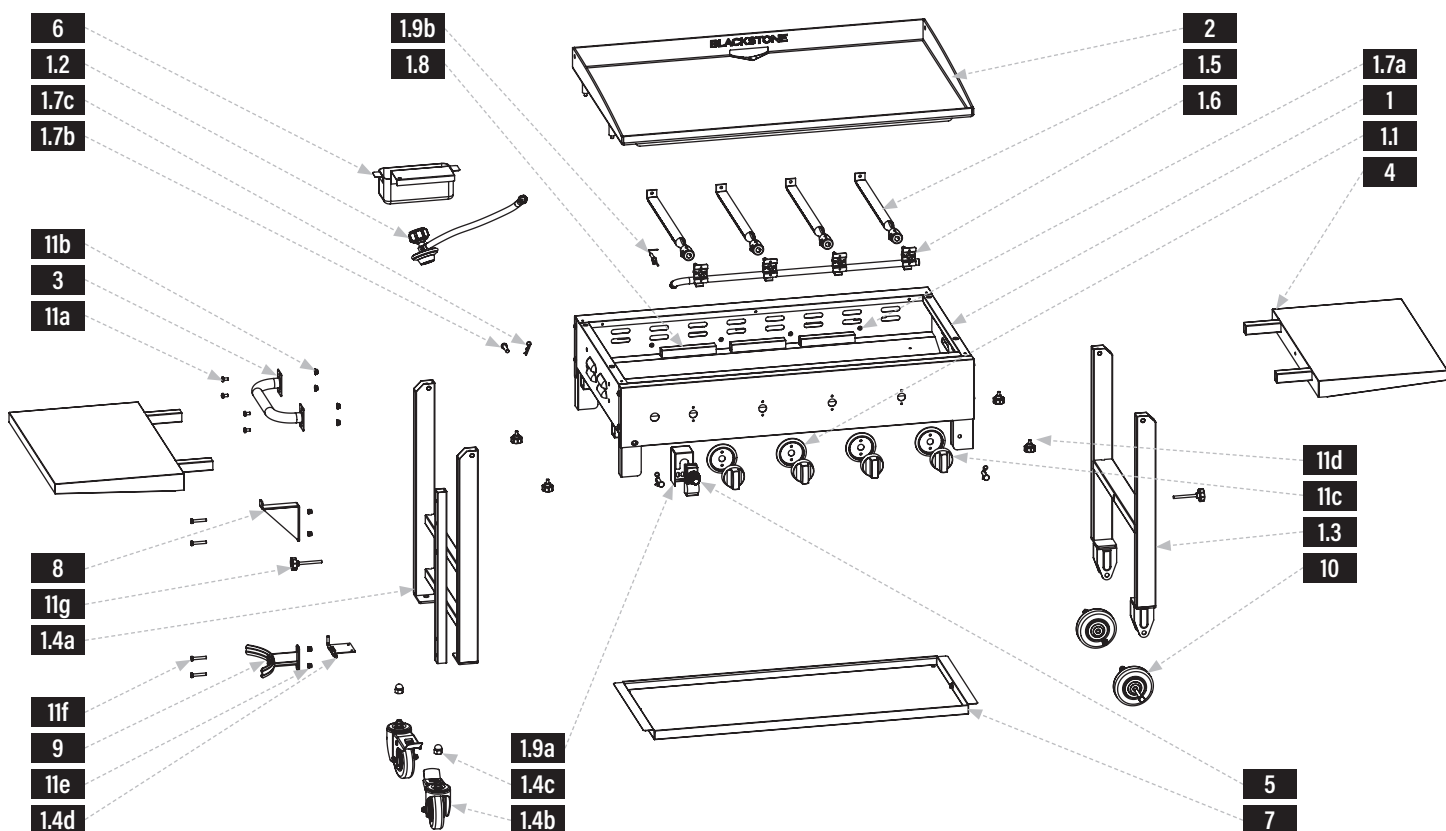
Esta garantía no cubre y pretende excluir cualquier responsabilidad por parte de North Atlantic, sus agentes, empleados o empleados, ya sea en virtud de esta garantía o implícitos por ley, por cualquier daño indirecto o consecuente por incumplimiento de cualquier garantía. El comprador debe establecer todos los períodos de garantía aplicables de conformidad con esta garantía al verificar la fecha de compra original al presentar el recibo de compra fechado. Esta garantía NO SE aplicará a este producto ni a ninguna otra parte del mismo que haya sido objeto de accidente, negligencia, alteración, abuso o mal uso, o que haya sido reparado o alterado sin el consentimiento por escrito de North Atlantic, fuera de la fábrica de North Atlantic Imports LLC. La garantía completa del fabricante no es válida para planchas compradas a revendedores externos sin licencia, compradas con descuento debido a piezas faltantes o dañadas, o compradas como modelo de piso; a discreción de North Atlantic Imports.

North Atlantic Imports LLC no ofrece garantía alguna con respecto a los accesorios o piezas que NO SE suministren con él. Esta garantía se aplicará únicamente dentro de los límites de los Estados Unidos de América. Esta garantía otorga derechos específicos al comprador original, y el comprador original también puede tener otros derechos, que varían de un estado a otro.



GUÍA DE MONTAJE

VISTA EN DESPIECE ORDENADO



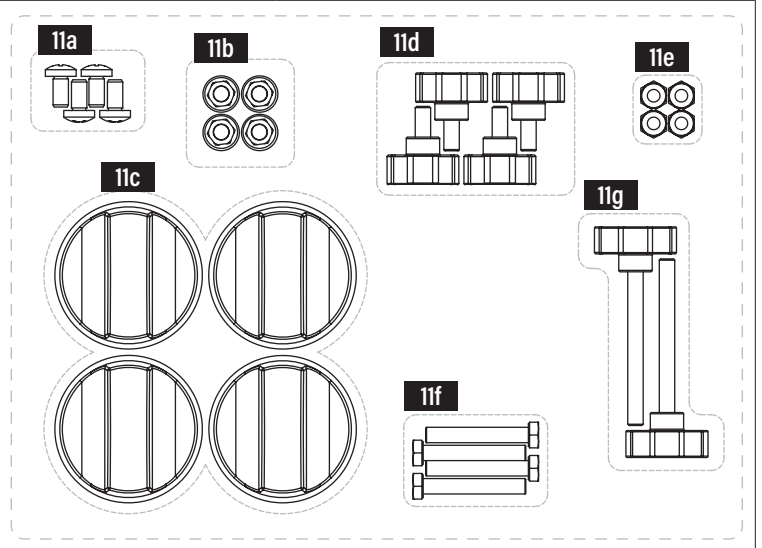
LISTA DE PARTES

PIEZAS	CTD	PIEZAS	CTD	PIEZAS	CTD	PIEZAS	CTD
1.1 Bisel del pomo	4	1.4a Montaje de la pierna izquierda	1	1.5 Quemadores tubulares	4	1.8 Canales de transferencia de llama	3
1.2 Regulador	1	1.4b Ruedas giratorias	2	1.6 Riel de gas	1	1.9a Escudo térmico de encendido	1
1.3 Montaje de la pierna derecha	1	1.4c Tuerca ciega	2	1.7a Tornillos M5	4	1.9b Aguja de encendido	1
		1.4d Tire del pasador	1	1.7b Pasadores de horquilla	4		
				1.7c R pines	4		

1 Cuerpo de plancha (1 pieza) 	2 Plancha superior (1 pieza) 	3 Asa lateral (1 pieza) 	4 Estantes laterales (2 piezas)
5 Botón de encendido (1 pieza) 	6 Vaso de grasa (1 pieza) 	7 Bandeja inferior (1 pieza) 	8 Gancho GLP (1 pieza)
9 Soporte GLP (1 pieza) 	10 Ruedas (2 piezas) 		



- 11 PAQUETE DE HARDWARE (1 PIEZA)**
- a. Tornillos M6x12 (4 piezas)
 - b. Tuercas de brida M6 (4 piezas)
 - c. Perillas de control (4 piezas)
 - d. Tornillos de mariposa pequeños (4 piezas)
 - e. Contratuercas M6 (4 piezas)
 - f. Tornillos M6x38 (4 piezas)
 - g. Tornillos de mariposa grandes (2 piezas)



INSTRUCCIONES DE MONTAJE

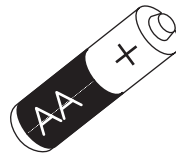
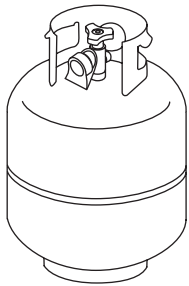
Encuentre un área grande y limpia para ensamblar su electrodoméstico.
Retire todo el material de embalaje antes de ensamblar.

⚠ ATENCIÓN

Bordes afilados. Use guantes durante el montaje.

⚠ ATENCIÓN

Piezas pesadas. Dos personas deben armar este aparato.



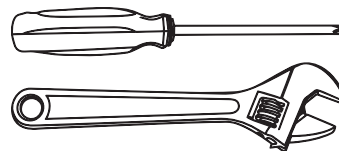
NO INCLUIDO:

Cilindro de GLP
Tamaño: 45 x 30 cm (18 x 12 pulgadas),
9 kg (20 libras)

El cilindro de GLP debe incluir un collar para
proteger la válvula del cilindro de GLP.

NO INCLUIDO:

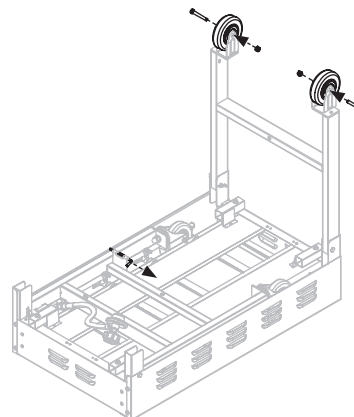
Pila AA



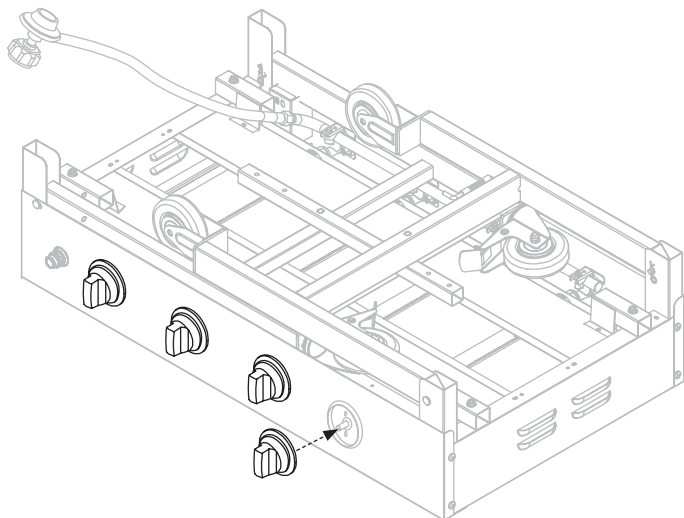
HERRAMIENTAS NECESARIAS:

Destornillador de cabeza Phillips y
llave ajustable

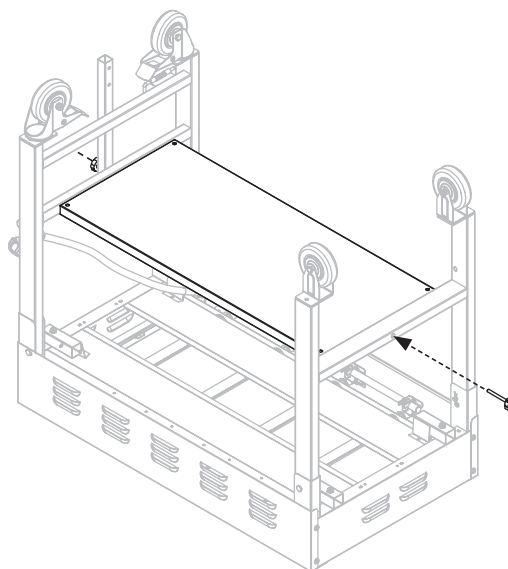
PASO 01 Con la ayuda de otra persona, retire el cuerpo de la plancha del empaque y colóquelo boca abajo sobre una superficie lisa y plana.
Tire del pasador de bloqueo para liberar los conjuntos de patas y levántelos a una posición vertical.
Fije las ruedas al conjunto de la pata derecha.



PASO 02 Instale las cuatro (4) perillas de control empujándolas en su lugar en la posición APAGADO.

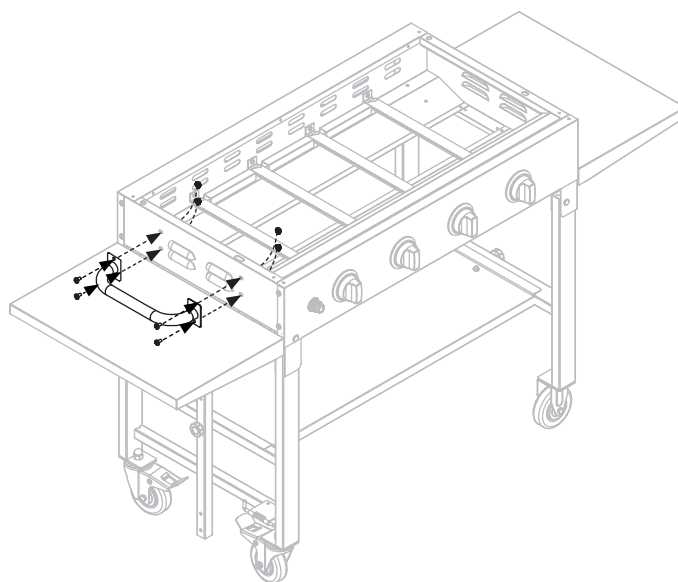
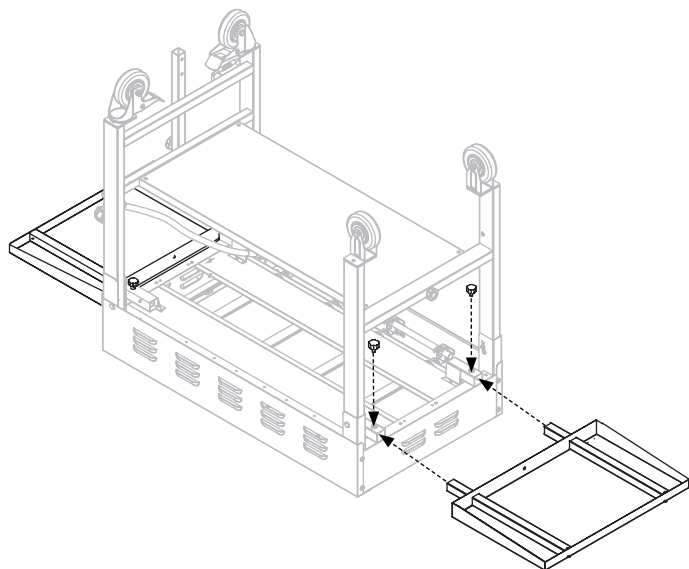


PASO 03 Use dos (2) tornillos de mariposa grandes para instalar el estante inferior entre los ensamblajes de las patas.



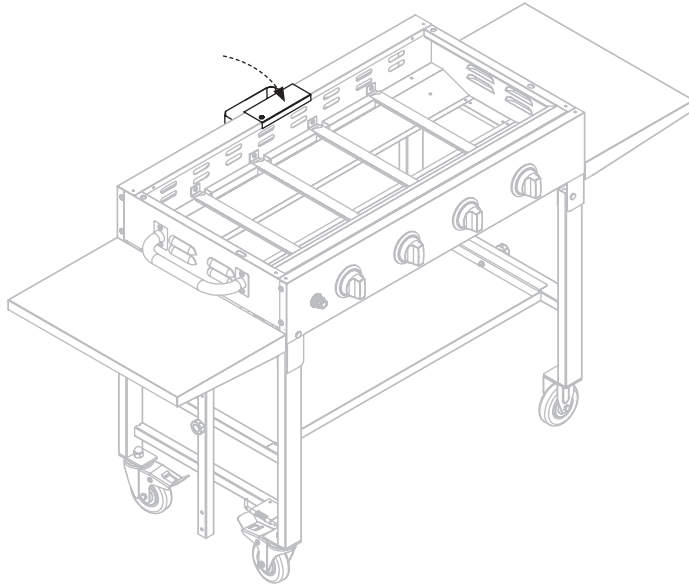
PASO 04 Instale el estante del lado derecho deslizando el poste del estante en el soporte de montaje. Use dos (2) tornillos de mariposa pequeños para asegurar. Repita en el lado izquierdo con otros dos (2) tornillos de mariposa pequeños.

PASO 05 Con la ayuda de otra persona, coloque la plancha sobre sus ruedas. Use cuatro (4) pernos M6 y cuatro (4) tuercas con reborde M6 para sujetar la manija lateral al lado izquierdo del cuerpo de la plancha.

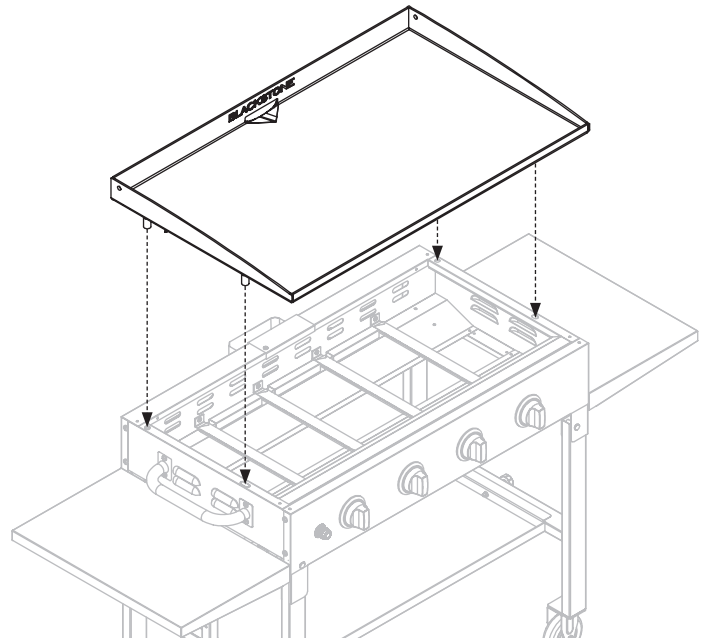




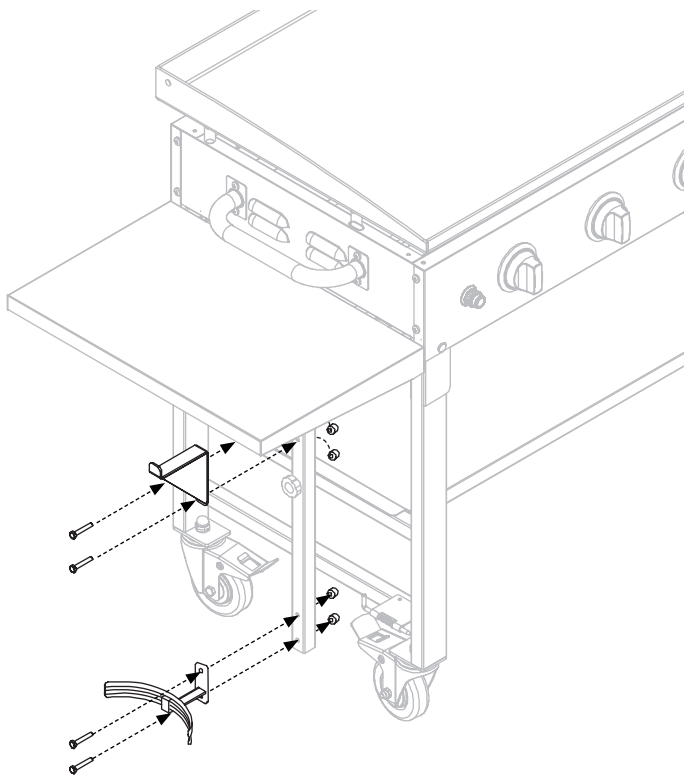
PASO 06 Cuelgue el recipiente para grasa en la parte posterior del cuerpo de la plancha en el centro de la unidad.



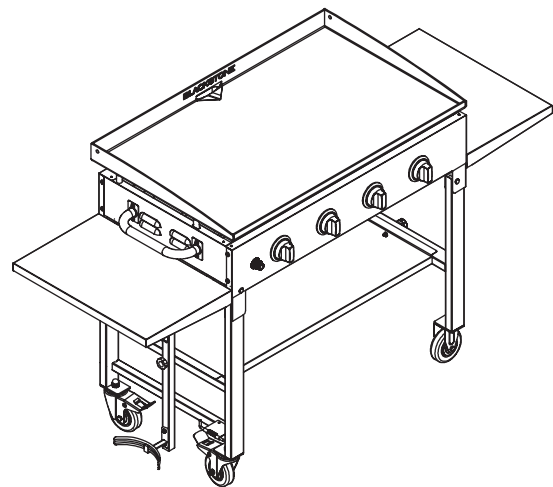
PASO 07 Con la ayuda de otra persona, coloque la parte superior de la plancha sobre el cuerpo de la plancha alineando los pasadores de las cuatro patas con los orificios en la parte superior de la unidad.



PASO 08 Use dos (2) pernos M6x38 para sujetar el gancho LPG a la barra LPG. Use dos (2) contratuerzas M6 para asegurarlo desde atrás. Use dos (2) pernos M6x38 para sujetar el soporte de GLP a la barra de GLP. Use dos (2) contratuerzas M6 para asegurarlo desde atrás.



PASO 09 Continúe con **USANDO SU BLACKSTONE.**



⚠ ATENCIÓN

El mango se calentará mientras el aparato esté en uso. No toque el mango mientras el aparato esté caliente.

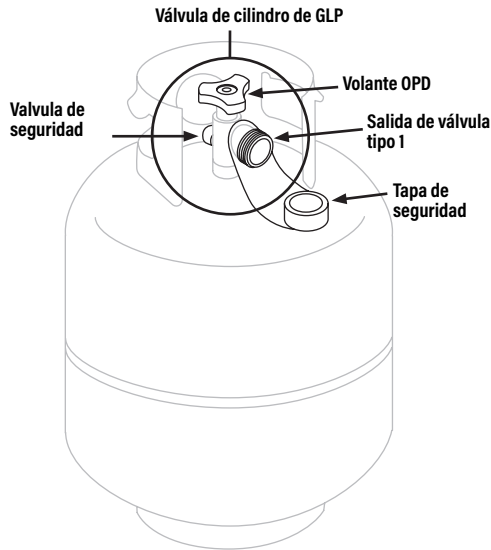
AVISO

- El peso máximo en el estante lateral es de 10 libras (4,5 kg).
- El estante lateral puede calentarse mientras el aparato está en uso.

USANDO SU BLACKSTONE

LA VÁLVULA DEL CILINDRO DE GLP DEBE TENER:

- Salida de válvula tipo 1 (rosca en el exterior).
- Válvula de seguridad.
- Dispositivo de protección contra sobrellenado (OPD) listado en UL. Esta característica de seguridad del OPD se identifica mediante un volante triangular exclusivo.
- Tapa de seguridad (tapa antipolvo).



SEGURIDAD DEL REGULADOR

⚠ ADVERTENCIA

El enhebrado cruzado puede ocurrir si fuerza el enhebrado de una conexión en un ángulo inadecuado. Esto dañará las roscas, provocará una fuga de propano y, potencialmente, provocará una acumulación de combustible que puede encenderse.

No cruce la conexión entre el cilindro de GLP y el regulador.

⚠ ADVERTENCIA

Si no puede conectar el regulador, no utilice el regulador. El regulador debe ser reemplazado por un modelo aprobado por Blackstone por un distribuidor autorizado con licencia profesional.

Use este electrodoméstico, tal como lo compró, solo con el conjunto de gas y válvula/regulador suministrado.

ACCESORIOS Y MANGUERAS

- Se recomienda revisar y apretar anualmente los accesorios metálicos.
 - ⚠ Mantenga la manguera de suministro de combustible alejada de cualquier superficie caliente.
 - Antes de cada uso, verifique si las mangueras están cortadas o desgastadas.
- Reemplace la manguera dañada antes de usar el aparato. (Use solo piezas de repuesto aprobadas por Blackstone para la válvula, la manguera o el regulador. El incumplimiento anulará la garantía).

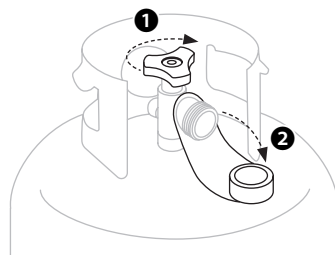
CONECTAR EL CILINDRO DE GLP

20 LB (9 KG)

PASO 01 Gire las perillas de control a APAGADO.

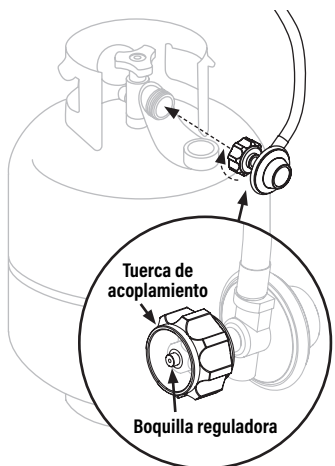
1 Asegúrese de que el cilindro de GLP esté APAGADO girando el volante del OPD en el sentido de las agujas del reloj hasta que se detenga por completo.

2 Retire la tapa de seguridad de la salida de la válvula Tipo 1.



PASO 02 Sostenga el regulador en línea recta con la salida de la válvula Tipo 1 para no cruzar la rosca de la conexión.

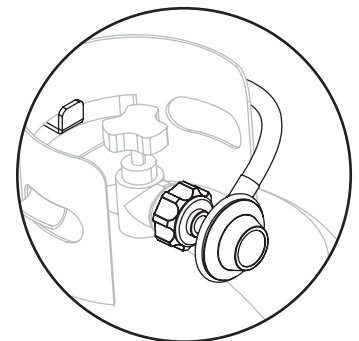
Centre e inserte la boquilla del regulador en la salida de la válvula Tipo 1. Apriete a mano la tuerca de acoplamiento en el sentido de las agujas del reloj. (NO USE herramientas para conectar). Si NO SE puede completar la conexión, desconecte el regulador y repita este paso



⚠ El sistema de suministro de cilindros de GLP debe estar preparado para la extracción de vapor.

Mantenga siempre los cilindros de GLP nuevos en posición vertical durante su uso, transporte o almacenamiento.

PASO 03 Fije la bombona de GLP al aparato colgándola del gancho de GLP de forma que encaje contra el soporte de GLP.





INSTRUCCIONES DE PRUEBA DE FUGAS

NOTICE

NO UTILICE agentes de limpieza domésticos. Se pueden dañar la válvula de gas, la manguera y los componentes del regulador.

Use una brocha limpia y una solución de agua y jabón suave 10/90 para realizar la prueba de fugas.

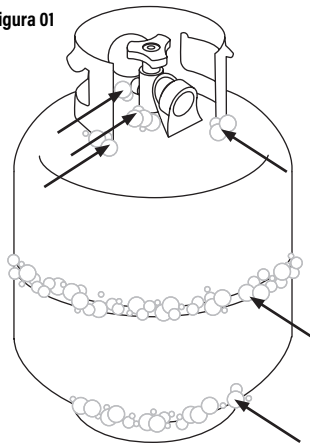
PRUEBA DE FUGAS: CILINDRO DE GLP

- Haga una prueba de fugas en los cilindros de GLP nuevos y cambiados ANTES de conectarlos a la plancha.
- No fume durante la prueba de fugas.
- NO UTILICE una llama abierta para comprobar si hay fugas de gas.
- El electrodoméstico debe someterse a prueba de fugas al aire libre en un área bien ventilada, lejos de fuentes de ignición, como aparatos eléctricos o de gas.
- Durante la prueba de fugas, mantenga el aparato alejado de llamas abiertas o chispas.

PASO 01 Cepille la solución jabonosa en las áreas de unión del cilindro de GLP.
(Indicado por flechas en la figura 01.)

- Las fugas se indican mediante burbujas en crecimiento.

Figura 01



⚠ ADVERTENCIA

Si aparecen burbujas en crecimiento durante la prueba de fugas, no use ni mueva el cilindro de GLP. Comuníquese de inmediato con un proveedor de GLP o con el departamento de bomberos.

PRUEBA DE FUGAS: VÁLVULAS, MANGUERA Y REGULADOR

PASO 01 Gire las perillas de control a APAGADO.

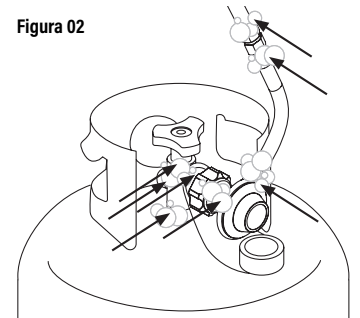
PASO 02 Conecte el regulador al cilindro de GLP.

PASO 03 Abra completamente el tanque de GLP girando la rueda manual del OPD en el sentido contrario a las agujas del reloj.

- Si escucha un sonido acelerado, cierre el gas inmediatamente. Hay una fuga importante en la conexión.
- Cierre inmediatamente el cilindro de GLP girando el volante del OPD en el sentido de las agujas del reloj y vuelva a apretar las conexiones. Si NO SE pueden detener las fugas, NO INTENTE REPARAR.

PASO 04 Cepille la solución jabonosa en las áreas de unión de las válvulas y el regulador.
(Indicado por flechas en la figura 02.)

Figura 02



- Las fugas se indican mediante burbujas en crecimiento.
- Cierre inmediatamente el cilindro de GLP girando el volante del OPD en el sentido de las agujas del reloj y vuelva a apretar las conexiones.

⚠ ADVERTENCIA

Si NO SE pueden detener las fugas, NO INTENTE repararlas. El regulador debe ser reemplazado por un modelo aprobado por Blackstone por un distribuidor autorizado con licencia profesional.

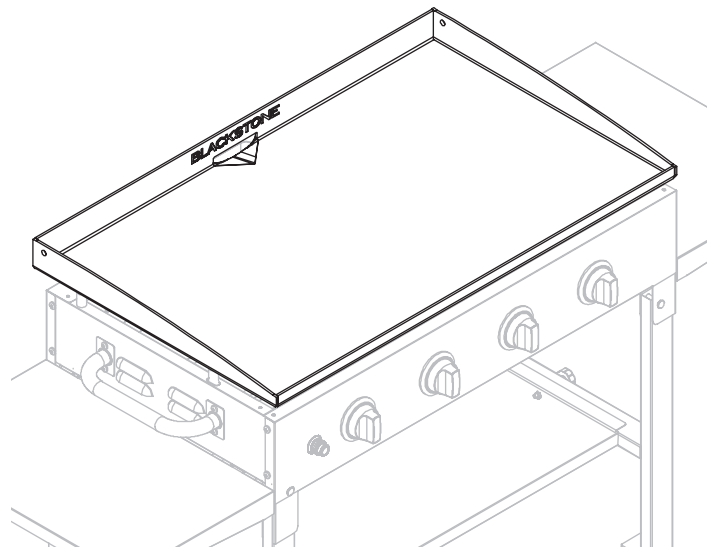
LIMPIEZA POR PRIMERA VEZ LIMPIEZA DE LA PARTE SUPERIOR DE SU PLANCHA

AVISO

El jabón arruinará una plancha experimentada. Esta es la única vez que debe usar jabón en la superficie de cocción de la plancha.

PASO 01 Lave la superficie de cocción de la plancha con agua caliente y jabón.

PASO 02 Enjuague y seque completamente.



INSTRUCCIONES DE ENCENDIDO

1. VÁLVULAS DE RETENCIÓN

PASO 01 Gire las perillas a la posición de APAGADO.

PASO 02 Empuje las perillas y suelte. Las perillas deben retroceder.

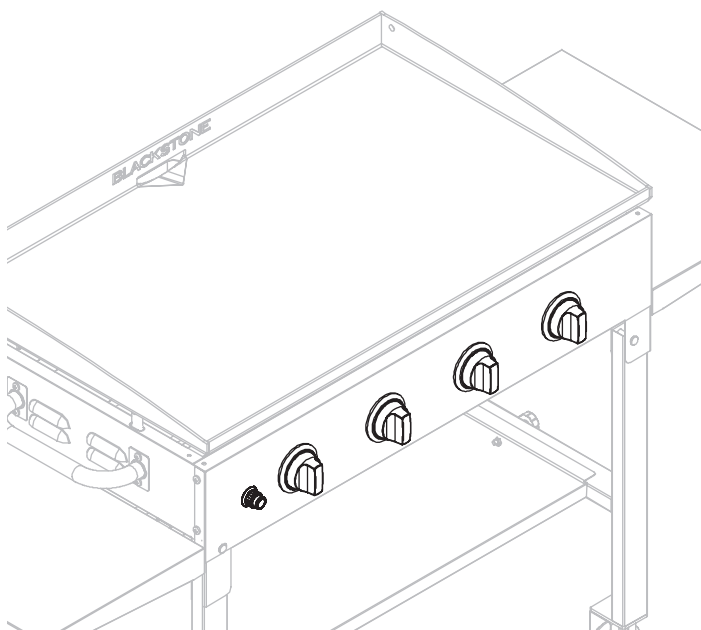
PASO 03 Si las perillas no retroceden, reemplace el ensamblaje de la válvula antes de usar el aparato.

PASO 04 Gire las perillas a BAJO y luego vuelva a APAGADO. Las perillas deben girar suavemente.

⚠ ADVERTENCIA

Si el quemador NO SE enciende con la válvula del cilindro de GLP abierta, el gas continuará saliendo del quemador y podría encenderse accidentalmente o sin darse cuenta con riesgo de lesiones.

Asegúrese de que el gas esté cerrado en la válvula de cierre del suministro antes de revisar las válvulas de los aparatos.



3. VERIFIQUE LA LLAMA DEL QUEMADOR

Siempre revise la llama del quemador antes de usar.

PASO 01 Encienda los quemadores y gire las perillas de ALTO a BAJO.

PASO 02 Mire debajo de la superficie de cocción para ver los quemadores. Cuando la perilla está en ALTO, las llamas deben ser más grandes que cuando la perilla está en BAJO.

⚠ ADVERTENCIA

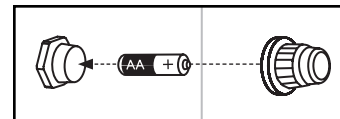
Un tubo de quemador obstruido puede provocar un incendio debajo del aparato. El quemador debe retirarse y limpiarse anualmente o siempre que se encuentren acumulaciones pesadas o insectos/nidos de insectos.

2. ENCENDIDO ALIMENTADO POR BATERÍA

⚠ NO SE incline sobre el aparato mientras lo enciende.

PASO 01 Inserte una (1) batería AA (no incluida) debajo del botón de encendido.

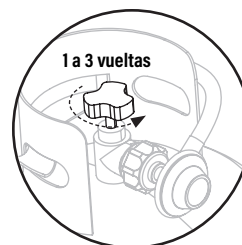
Atornille el botón en su lugar sobre el terminal positivo.



PASO 02

1 Gire la perilla de control a APAGADO.

PASO 03 ABRA el gas en el cilindro de GLP girando la rueda manual del OPD de 1 a 3 vueltas en sentido contrario a las agujas del reloj.

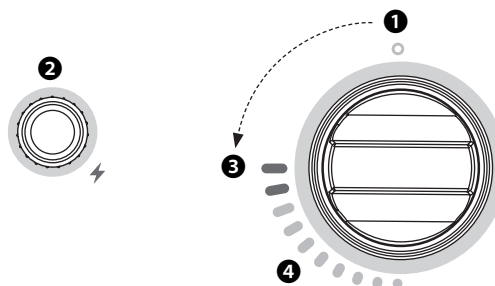


PASO 04

2 Mantenga presionado el botón de encendido.

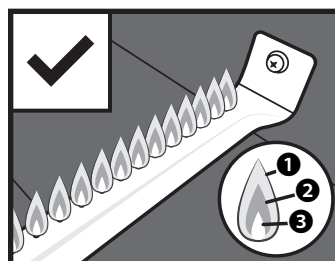
3 Empuje y gire la perilla de control en sentido antihorario a ALTO. (Suelte el botón de encendido cuando se encienda el quemador).

4 Ajuste la temperatura al nivel deseado.



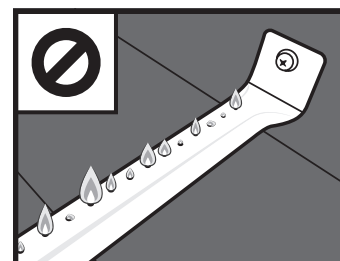
Para encender los quemadores restantes: Comenzando con el quemador más cercano a la aguja de encendido, gire la perilla de cada quemador en secuencia a ALTO.

PATRÓN DE LLAMA DE QUEMADOR SALUDABLE



- 1 Párpadeos de color amarillo.
- 2 Color azul oscuro.
- 3 Azul vibrante.

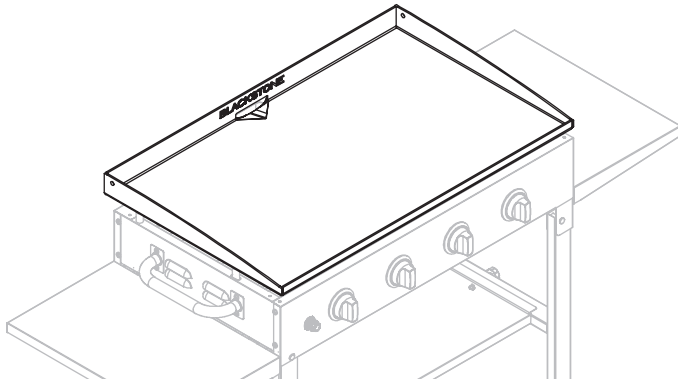
LAS LLAMAS DEL QUEMADOR SON AMARILLAS O IRREGULARES



Si hay una caída repentina o un problema de llama baja, consulte el capítulo Solución de problemas.



INSTRUCCIONES PARA SAZONAR LA PLANCHA



¿QUÉ ACEITE ES MEJOR USAR?

- Blackstone Seasoning and Cast Iron Conditioner.
- Cualquier aceite de cocina de origen vegetal.
- Grasa animal fundida sin aditivos.



VIDEOTUTORIAL

Cómo sazonar una nueva plancha Blackstone
[youtube.com/watch?v=VspmDVnj2pl&t=3s](https://www.youtube.com/watch?v=VspmDVnj2pl&t=3s)

PASO 01 Limpie cualquier residuo de la parte superior de la plancha.



PASO 02 Configura tu plancha a fuego alto hasta que la parte superior de la plancha cambie de color. (~10 minutos)



PASO 03 Use pinzas para sostener una toalla de papel o un paño de algodón y extienda 2-3 cucharadas de su aceite de condimento en toda la parte superior de la plancha. Cuando sazone la parte superior de su plancha, recuerde usar una capa delgada y uniforme de aceite: cuanto más delgada sea la capa de aceite, más fácil será quemarla.



PASO 04 La parte superior de la plancha está lista para otra capa de aceite cuando deja de humear. Repita el **PASO 03** 3-4 veces, o hasta que la superficie de la plancha esté negra.



SOLUCIÓN DE PROBLEMAS DE CONDIMENTOS

HAY UN RESIDUO MARRÓN EN LA SUPERFICIE DE LA PLANCHA:

POSIBLES CAUSAS

- Se usó demasiado aceite.
- Apagaste la calefacción demasiado pronto.

SOLUCIÓN

PASO 01 Encienda su plancha a temperatura alta y déjela calentar durante 10-15 minutos.

PASO 02 Raspe la mayor cantidad de aceite espesado y parcialmente cocido que pueda.

PASO 03 Vuelva a sazonar con una capa muy fina de aceite.

LOS BORDES DE LA SUPERFICIE DE LA PLANCHA NO SON NEGROS:

Después de usar su plancha para cocinar varias veces, el condimento se nivelará y mejorará.

PREVENCIÓN DEL ÓXIDO

Use su plancha con frecuencia. Cada vez que cocina, está agregando condimentos, lo que hace que la oxidación sea menos probable.

AVISO

Si vive en un clima húmedo o costero, su plancha puede requerir curaciones más frecuentes entre usos.

Si aparece óxido en la superficie de la plancha, frótelo con lana de acero, papel de lija de grano bajo o **Blackstone Pumice Stone** y vuelva a secar la superficie.



VIDEOTUTORIAL

Recuperación de la tapa de su plancha Blackstone
[youtube.com/watch?v=thPE2lgnSil](https://www.youtube.com/watch?v=thPE2lgnSil)

COCINAR EN TU BLACKSTONE

⚠ PELIGRO

Los artículos inflamables pueden entrar en combustión espontáneamente si se colocan cerca del aparato. No coloque artículos inflamables como envases de aerosol, toallas aceitosas o grasientas cerca de la superficie de cocción.

⚠ ATENCIÓN

Este aparato estará caliente durante y después de su uso. No manipule piezas calientes con las manos sin protección. Use utensilios de cocina de mango largo y guantes para horno.

AVISO

No guarde ningún artículo a menos de 8 cm (3 pulgadas) de la superficie de cocción mientras está en uso.

SI GOTEA GRASA U OTRO MATERIAL CALIENTE SOBRE LA VÁLVULA, LA MANGUERA O EL REGULADOR:

PASO 01 Cierre el suministro de gas inmediatamente.

PASO 02 Determine la causa y corríjala.

PASO 03 Limpie e inspeccione la válvula, la manguera y el regulador.

PASO 04 Realice una prueba de fugas. (Consulte las instrucciones de prueba de fugas en la **USANDO SU BLACKSTONE**).

VÍDEO RECETAS

Encuentre recetas y consejos de cocina en:

🌐 [BlackstoneProducts.com/blogs/recipes](https://blackstoneproducts.com/blogs/recipes)

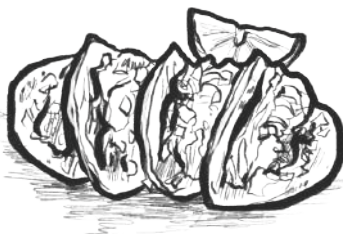
📺 youtube.com/c/BlackstoneGriddles

📱 [@blackstoneproducts](https://www.instagram.com/blackstoneproducts)



DESAYUNO
Tortitas de fresas y crema

ALMUERZO
Hamburguesa de cebolla frita de Oklahoma



CENA
Tacos borrachos

LIMPIEZA DE SU ELECTRODOMÉSTICO

Limpie su aparato después de cada uso, después de que esté frío al tacto.

- NO USE una almohadilla abrasiva en áreas con gráficos.
- Si se usa un cepillo de cerdas para limpiar cualquiera de las superficies de cocción, asegúrese de que no queden cerdas sueltas en las superficies de cocción antes de cocinar.

⚠ ADVERTENCIA

La acumulación de grasa puede provocar un incendio. Limpie cualquier parte del aparato que se caliente y experimente acumulación de grasa después de cada uso.

PIEZAS DE PLÁSTICO Y SUPERFICIES PINTADAS:

Lave con agua jabonosa tibia y seque con un paño no abrasivo.

AVISO

NO UTILICE Citrisol, limpiadores abrasivos ni limpiadores concentrados en las piezas de plástico. Esto puede resultar en daños y fallas en las piezas.

PARA CADA SUPERFICIE

El **Blackstone Degreaser and Cleaning Spray** es lo suficientemente suave para limpiar todas las superficies de su electrodoméstico. Úselo en la superficie de cocción, el marco del electrodoméstico o en cualquier lugar donde se acumule grasa.



ALMACENAMIENTO DE ELECTRODOMÉSTICOS

⚠ ADVERTENCIA

No mueva el aparato cuando esté en uso. Deje que el aparato se enfríe a 115°F (45°C) antes de moverlo o almacenarlo.

⚠ Cuando no esté en uso, APAGUE el aparato girando las perillas de control del aparato a la posición de APAGADO y cerrando la válvula de combustible.

⚠ Cuando el suministro de gas esté conectado al aparato, guárdelo al aire libre en un lugar fresco, seco y bien ventilado y fuera del alcance de los niños.

GUÍA DE AJUSTE DE LA CUBIERTA

Siempre cubra su electrodoméstico si lo almacena al aire libre.



Para encontrar una cubierta que se ajuste a su electrodoméstico, visite [BlackstoneProducts.com/support](https://blackstoneproducts.com/support).



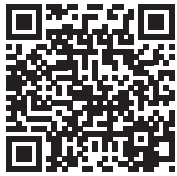
LIMPIEZA DE LA PARTE SUPERIOR DE SU PLANCHA

Limpie la parte superior de la plancha después de cada uso, mientras aún esté caliente.

- NO USE jabón en la parte superior de la plancha. Esto destruirá el condimento de la plancha.
- El recipiente para la grasa debe retirarse y vaciarse después de cada uso.

⚠ ATENCIÓN

La taza de grasa estará caliente durante y después del uso. NO RETIRE la taza de grasa hasta que la plancha se haya enfriado por completo.



VIDEOTUTORIAL

HCómo limpiar su plancha Blackstone

▶ [youtube.com/watch?v=-ledu9z6NPY](https://www.youtube.com/watch?v=-ledu9z6NPY)

PASO 01 Empuje los restos de comida sueltos en el recipiente para la grasa con una espátula o un raspador de metal recto.



PASO 02 Limpie la parte superior de la plancha con una toalla de papel.



PASO 03 Aplique unas cuantas cucharadas de agua a la superficie de la plancha, luego raspe el agua y los residuos en el recipiente para la grasa. (Para los residuos de comida pegados, use un poco de sal gruesa).



PASO 04 Limpie nuevamente con una toalla de papel y seque completamente.



PASO 05 Aplique una fina capa de aceite de cocina para mantener la sazón y proteger la parte superior de la plancha.

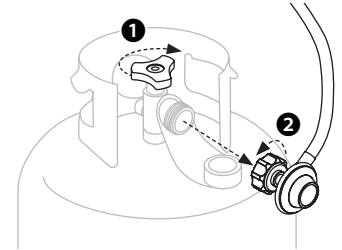


DESCONECTE EL CILINDRO DE GLP 20 LB (9 KG)

PASO 01 Asegúrese de que las perillas de control estén en la posición APAGADO.

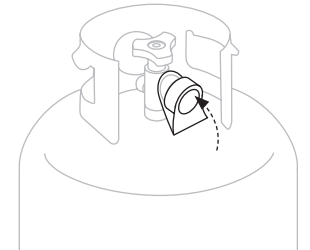
1 Asegúrese de que el cilindro de GLP esté APAGADO girando el volante del OPD en el sentido de las agujas del reloj hasta que se detenga por completo.

2 Gire la tuerca de acoplamiento en sentido contrario a las agujas del reloj con la mano para quitar el regulador. (NO USE herramientas para desconectar.)



PASO 02 Coloque la tapa de seguridad en la salida de la válvula del cilindro de GLP siempre que el cilindro no esté en uso.

Instale únicamente el tipo de tapa de seguridad en la salida de la válvula del cilindro que se proporciona con la válvula del cilindro. Otros tipos de tapas o tapones pueden provocar fugas de propano.



ALMACENAMIENTO DE CILINDROS DE GLP

⚠ No almacene un cilindro de GLP de repuesto debajo o cerca de este aparato.

⚠ No llene un cilindro de GLP más allá del 80 % de su capacidad.

Si NO SE sigue exactamente la información anterior, se puede producir un incendio que cause la muerte o lesiones graves.

⚠ Los cilindros de GLP deben almacenarse al aire libre y fuera del alcance de los niños.

⚠ No almacene un cilindro de GLP dentro de un edificio, garaje o cualquier otra área cerrada.

RELLENO E INTERCAMBIO

• Use solo aquellas empresas de intercambio acreditadas que inspeccionan, llenan con precisión, prueban y certifican sus cilindros. El distribuidor de GLP debe purgar el cilindro nuevo antes de llenarlo.

• El volumen de propano en el tanque variará según la temperatura.

⚠ ADVERTENCIA

Un regulador helado indica sobrellenado de gas.

Cierre inmediatamente la válvula del cilindro de GLP y llame al distribuidor local de GLP para obtener ayuda.

⚠ No liberar gas licuado de petróleo (GLP) a la atmósfera.

• Para eliminar el gas del cilindro de GLP, comuníquese con un distribuidor de GLP certificado o con el departamento de bomberos local para obtener ayuda.

• Cambie el tanque solo por un tanque equipado con características de seguridad OPD.

Su distribuidor puede ayudarlo a encontrar un cilindro de GLP de repuesto para su electrodoméstico.

SOLUCIÓN DE PROBLEMAS

SOLUCIÓN DE PROBLEMAS DE ENCENDIDO

EL QUEMADOR NO SE ENCIENDE:

Si NO SE enciende en 5 segundos:

PASO 01 Apague los controles de los quemadores.

PASO 02 Espere 5 minutos.

PASO 03 Repita el procedimiento de encendido.

Si esto no funciona, para determinar la causa, intente encender su aparato con una cerilla.

INSTRUCCIONES PARA ENCENDER FÓSFOROS

Antes de comenzar, compruebe si hay fugas de gas. (Consulte las instrucciones de prueba de fugas en la **USANDO SU BLACKSTONE**).

PASO 01 Gire la(s) perilla(s) de control a la posición de APAGADO.

PASO 02 Retire la superficie de cocción.

PASO 03 Encienda un fósforo (o un encendedor largo) de no menos de 11 pulgadas de largo. Coloque la llama en el lado derecho o izquierdo del quemador.

PASO 04 Presione y gire la perilla de control a la posición ALTA. Asegúrese de que el quemador se encienda y permanezca encendido.

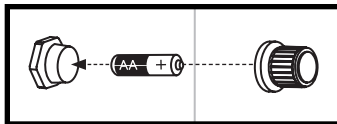
SI PUEDE ENCENDER SU ELECTRODOMÉSTICO CON UN FÓSFORO:

POSIBLES CAUSAS

Batería agotada o mal instalada.

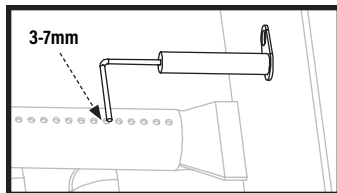
SOLUCIÓN

Reemplácela con una batería nueva.



Cable de encendido desalineado.

Asegúrese de que la aguja de encendido esté colocada a una distancia de 3 a 7 mm del tubo del quemador y por encima del orificio del quemador.



Daños en el sistema de encendido.

Póngase en contacto con el servicio de atención al cliente para obtener piezas de repuesto.

SI NO PUEDE ENCENDER SU APARATO CON UN FÓSFORO:

POSIBLES CAUSAS

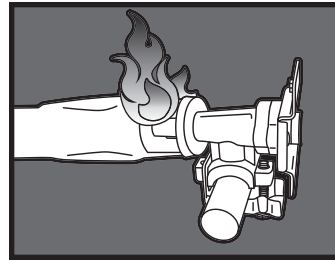
Los tubos de los quemadores no reciben combustible.

SOLUCIÓN

Limpe el conjunto del quemador para eliminar la obstrucción.

SOLUCIÓN DE PROBLEMAS DE FLUJO DE GAS

UNA LLAMA SALE DE LA PUERTA DE AIRE:



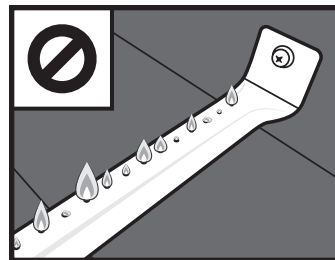
POSIBLES CAUSAS

Algo está bloqueando el venturi en el tubo del quemador.

SOLUCIÓN

Limpe el conjunto del quemador para eliminar la obstrucción.

LAS LLAMAS DEL QUEMADOR SON AMARILLAS O IRREGULARES:



- El aparato no alcanzará una temperatura alta o calentará de manera desigual.
- Las llamas del quemador comienzan con fuerza, luego bajan inmediatamente a nivel bajo incluso cuando el quemador está en la posición alta.
- La altura de la llama desciende cuando se enciende un segundo quemador.
- Las llamas NO SE extienden por toda la longitud del quemador, o solo corren por un lado del quemador.
- Las llamas del quemador son inconsistentes.

POSIBLES CAUSAS

Obstrucciones en el quemador, chorros de gas o riel de combustible.

SOLUCIÓN

Limpe el quemador, los surtidores y la manguera de gas.

El cilindro de GLP está vacío o bajo.

Rellene o reemplace el cilindro de GLP.

Se activó el dispositivo limitador de caudal del regulador.

Restablecer el sistema de seguridad:

PASO 01 Apague el aparato, cierre la válvula del cilindro de GLP y desconecte el regulador del cilindro de GLP.

PASO 02 Espere cinco minutos para permitir que se disipe la presión, luego vuelva a conectar el regulador al cilindro de GLP y abra lentamente el volante OPD media vuelta.

PASO 03 Encienda su electrodoméstico.

Regulador atascado en posición de seguridad.

Póngase en contacto con el servicio de atención al cliente para obtener piezas de repuesto.



LIMPIEZA DEL CONJUNTO DEL QUEMADOR



VIDEOTUTORIAL

Cómo limpiar el tubo de su quemador
 ▶ [youtube.com/watch?v=xKQTCrFCzf8](https://www.youtube.com/watch?v=xKQTCrFCzf8)

PASO 01 Asegúrese de que el gas esté CERRADO en las perillas de control y el suministro de gas. Retire la superficie de cocción.

PASO 02 Separe y retire con cuidado el quemador.



PASO 03 Limpie el interior del quemador:

- Pase un cepillo angosto para botellas a través de cada tubo de quemador varias veces. (NO use cepillos de alambre)
- Pase un alambre rígido doblado en un pequeño gancho a través de cada tubo de quemador varias veces.
- Use una manguera de aire para forzar el aire dentro del tubo del quemador y fuera de los puertos del quemador. Verifique que el aire sople a través de cada orificio. (Use protección para los ojos)



PASO 04 Cepille toda la superficie exterior del quemador para eliminar la suciedad.

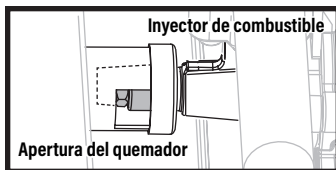


PASO 05 Limpie los puertos bloqueados con un alambre rígido, como un sujetapapeles abierto.



PASO 06 Vuelva a colocar con cuidado los quemadores y vuelva a colocarlos.

⚠ La boquilla de combustible del riel de gas debe volver a conectarse dentro de la abertura del quemador.



SERVICIO AL CLIENTE

Visítenos en línea en [BlackstoneProducts.com/support](https://www.BlackstoneProducts.com/support) para obtener ayuda sobre el uso del aparato, las piezas de repuesto o la garantía.

HORARIO DE ATENCIÓN AL CLIENTE:

🕒 Lunes Viernes
 7:00 am a 5:00 pm (MST)

