



Firecraft

SERIES™ BARREL GRILL

MODEL NUMBER
NUMÉRO DE MODÈLE
NÚMERO DE MODELO
23302166
ASSEMBLY GUIDE
GUIDE D'ASSEMBLAGE
GUIA DE MONTAJE

SERIAL NUMBER:
NÚMERO DE SERIE:
NUMÉRO DE SÉRIE:

See rating label on grill for serial number.
El número de serie se encuentra en la etiqueta de especificaciones de la parrilla.
Voir l'étiquette d'évaluation sur le gril pour le numéro de série.

DATE PURCHASED:
FECHA DE COMPRA:
DATE D'ACHAT:

Tools Needed for Assembly:

2 Adjustable Wrenches
Phillips Screwdriver

Herramientas necesarias para el armado:

2 Llaves regulables
Destornillador Phillips

Outils nécessaires pour l'assemblage:

2 clés à molette
Tournevis cruciforme



 **BILT.**

Scan for easy
3D instructions

Download the BILT app before you begin

Scannez pour
des instructions
faciles en 3D

Téléchargez l'application BILT
avant de commencer

Escanea para
instrucciones
fáciles en 3D

Descargue la aplicación BILT
antes de comenzar



Need Help? Visit Oklahomajoes.com for video assembly tips. If you'd rather - you can call us at 1-800-318-7744

Necesita ayuda? Visite Oklahomajoes.com para obtener consejos sobre el montaje de videos. Si prefiere, puede llamarnos al 1-800-318-7744

Besoin d'aide? Visitez Oklahomajoes.com pour des astuces d'assemblage vidéo. Si vous préférez, vous pouvez nous appeler au 1-800-318-7744

IMPORTANT SAFETY INFORMATION

THIS INSTRUCTION MANUAL CONTAINS IMPORTANT INFORMATION NECESSARY FOR THE PROPER ASSEMBLY AND SAFE USE OF THE APPLIANCE.

FOLLOW ALL WARNINGS AND INSTRUCTIONS WHEN USING THE APPLIANCE.

INSTALLER/ASSEMBLER:

LEAVE THIS MANUAL WITH CONSUMER.

CONSUMER:

KEEP THIS MANUAL FOR FUTURE REFERENCE.

SAFETY SYMBOLS

DANGER, WARNING, and CAUTION statements are used throughout this Owner's Manual to emphasize critical and important information. Read and follow these statements to help ensure safety and prevent property damage. The statements are defined below.



CAUTION

CAUTION: Indicates a potentially hazardous situation or unsafe practice which, if not avoided, may result in minor or moderate injury.



WARNING

WARNING: Indicates a potentially hazardous situation which, if not avoided, could result in death or serious injury.



DANGER

DANGER: Indicates an imminently hazardous situation which, if not avoided, will result in death or serious injury.



WARNING

Please read this entire manual before installation and use of this appliance. Failure to follow these instructions could result in property damage, bodily injury, or even death. Contact local building or fire officials about restrictions and installation inspection requirements in your area. Save these instructions.

Carbon monoxide is a colorless, odorless, tasteless gas produced by burning gas, wood, propane, charcoal or other fuel.

- Know the symptoms of carbon monoxide poisoning: headache, dizziness, weakness, nausea, vomiting, sleepiness, and confusion. Carbon monoxide reduces the blood's ability to carry oxygen. Low blood oxygen levels can result in loss of consciousness and death.
- See a doctor if you or others develop cold- or flu-like symptoms while cooking or in the vicinity of this appliance. Carbon monoxide poisoning, which can easily be mistaken for a cold or flu, is often detected too late.
- Alcohol consumption and drug use increase the effects of carbon monoxide poisoning.
- Carbon monoxide is especially toxic to mother and child during pregnancy, infants, the elderly, smokers, and people with blood or circulatory system problems, such as anemia or heart disease.
- Your appliance must be operated outside on noncombustible flooring



WARNING

- and away from combustible materials.
- If operating your appliance on floors protected with a noncombustible, protective surface, the protective surface must be approved for such use by local building or fire officials.
- Never use gasoline, gasoline-type lantern fuel, kerosene, or flammable liquids to start or "freshen up" a fire in this appliance. Keep all such liquids well away from this appliance when in use.
- **DO NOT** use this unit on or near combustible surfaces or structures such as wood decks, dry leaves or grass, vinyl or wood siding, etc.

SEE OWNERS MANUAL FOR IMPORTANT SAFETY INFORMATION.

- Most surfaces on this unit are hot when in use. Use extreme caution.
- Keep others away from unit.
- Always wear protective clothing to prevent injury.
- Keep children and pets away.
- Do not allow small children near flame.
- Do not move this unit during operation.
- Hot embers can fly out during breezy conditions
- Never substitute gasoline, kerosene or alcohol for charcoal starter. In some states, the use of charcoal starter is prohibited by law. In this case, paraffin-based starter cubes can be substituted for charcoal starter.
- Never use charcoal starter fluid with an electric starter. After a charcoal fire appears extinguished, unconsumed embers can retain heat for up to 24 hours, and if exposed to fresh air, can burst into flame unexpectedly. Any such embers outside the fire-box of the grill pose a fire hazard and can ignite combustible surfaces such as wooden decks.
- **DO NOT** use this unit on or near combustible surfaces or structures such as wood decks, dry leaves or grass, vinyl or wood siding, etc. **SEE OWNERS MANUAL FOR IMPORTANT SAFETY INFORMATION.**
- Ash pan must be fully installed during operation.
- Failure to properly install could result in hot embers falling from the product.
- Let embers cool completely before removing and cleaning the ash pan.

NEVER LEAVE FIRE UNATTENDED!

FAILURE TO READ AND FOLLOW INSTRUCTIONS FOR LIGHTING CHARCOAL MAY RESULT IN SERIOUS PERSONAL INJURY AND OR PROPERTY DAMAGE.

ALWAYS USE CAUTION WHEN HANDLING HOT COALS TO PREVENT INJURY.

ADEQUATE FIRE EXTINGUISHING MATERIAL SHOULD BE READILY AVAILABLE.

THIS APPLIANCE MUST BE USED ON A NONCOMBUSTIBLE, LEVEL SURFACE.

OVERLOADING THIS APPLIANCE COULD RESULT IN A TIP-OVER AND MAY RESULT IN SERIOUS PERSONAL INJURY AND OR PROPERTY DAMAGE.



CAUTION

Read and follow all safety statements, warnings, assembly instructions, and use & care directions before attempting to assemble.

CAUTION: Appliance may be **HOT**. Use hand protection if necessary.

Some parts may contain sharp edges! Wear protective gloves if necessary. **THIS UNIT IS HEAVY! DO NOT** attempt to assemble without a helper.

IMPORTANT SAFETY INFORMATION

1. A minimum clearance of 36 inches (1 meter) from combustible constructions to the sides of the appliance, and 36 inches (1 meter) from the front and back of the appliance to combustible constructions must be maintained. Do not use this appliance indoors or in an enclosed, unventilated area, such as a garage. This appliance must not be placed under overhead combustible ceilings or overhangs. Keep your appliance in an area clear and free from combustible materials, gasoline and other flammable vapors and liquids. **SEE FIGURE A.**
2. Should an uncontrolled grease fire occur, do not throw water on the unit. Do not try to smother the fire. We recommend that you keep a class ABC approved fire extinguisher on site. If an uncontrolled fire does occur, call your Fire Department.
3. Do not transport or move your appliance while in use or while the appliance is hot. Ensure the fire is completely out and that the appliance has cooled completely before moving.
4. After periods of storage, clean before use. Regular care and maintenance is required to prolong the lifespan of your appliance. If the appliance is stored outside during the rain or periods of high humidity.
5. It is recommended to use heat-resistant barbecue mitts or gloves when operating the appliance. Please visit Charbroil.com for a good selection of barbecue mitts. Do not use accessories not specified for use with this appliance. Do not put an appliance cover or anything flammable in the storage space area under the appliance. Remove pots and pans while the operating appliance is unattended, to reduce the risk of fire.
6. This appliance is not intended for use by persons (including children) with reduced physical, sensory, or mental capabilities, or lack of experience and knowledge, unless they have been given supervision or instruction concerning use of the appliance by a person responsible for their safety. Children should be supervised to ensure they do not play with the appliance.
7. Parts of the appliance may be very hot, and serious injury may occur. Keep young children and pets away while in use.

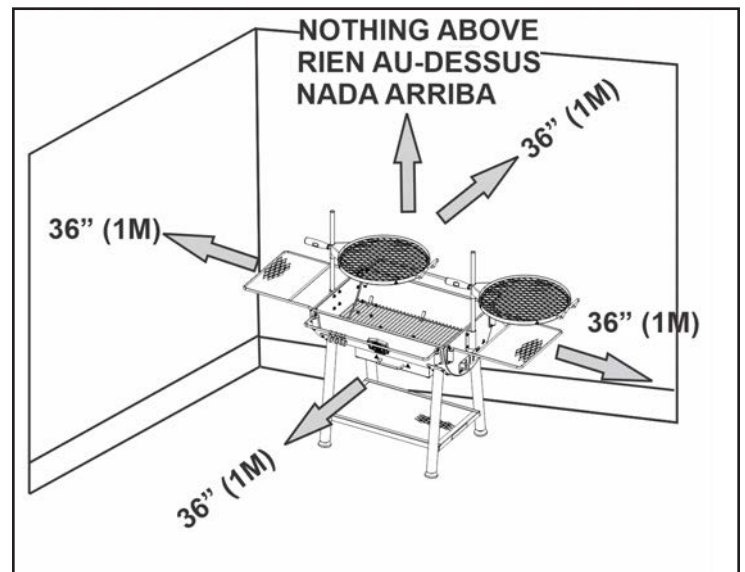


FIGURE A

PREPARING TO USE YOUR GRILL

Before cooking with your grill, the following steps should be closely followed to both cure the finish and season the interior steel. Failure to properly follow these steps may damage the finish and/or impart metallic flavors to your first foods.

1. Brush all interior surfaces including grills and grates with vegetable cooking oil.
2. Build a small fire in the pan, being sure not to lay coals against the walls.
3. Place all accessories on the poles and set them in the lowest position, over the fire.
4. This burn should be sustained for at least two hours, the longer the better. Your grill is now ready for use.

Rust can appear on the inside of your grill. Maintaining a light coat of vegetable oil on interior surfaces will aid in the protection of your unit. Exterior surfaces of grill may need occasional touch up. We recommend the use of a commercially available black high temperature spray paint. **NEVER PAINT THE INTERIOR OF THE UNIT!**

GRILLING

Successful charcoal grilling depends on a good fire. The general rule for knowing when your coals are ready for grilling is to make sure that 80 percent or more of the coals are ashy gray. Using caution, arrange the hot coals on your charcoal grate based on your desired method of cooking. Here are a few steps you can take to adjust the temperature of your fire:

- If it is too hot, spread the coals out a bit more, which makes the fire less intense.
- Avoid laying the coals on the walls of the grill.
- In the event of a severe flare-up, spray the flames with water from a squirt bottle. Be careful, spraying with water tends to blow ashes around and make a mess.
- Add briquettes 2 or 3 at a time to increase the burn time. Allow 10 minutes for coals to ash over before adding more.

GRILLING WITH WOOD CHIPS / WOOD CHUNKS

For a more robust smoke flavor while using charcoal briquettes or lump charcoal, try adding wood chips or several wood chunks to the fire. Wood chunks are available in a variety of natural flavors, and can be used alone or in addition to charcoal. As a general rule, any hardwood that bears a fruit or nut is suitable for cooking. However, different woods have very different tastes.

Experiment with different woods to determine your personal favorite, and always use well-seasoned wood. Green or fresh-cut wood can turn food black, and tastes bitter.

GRILLING WITH WOOD CHIPS / WOOD CHUNKS

Our Recommendations:

Chicken - Alder, Apple, Hickory, Mesquite

Beef - Hickory, Mesquite, Oak

Pork - Fruitwoods, Hickory, Oak

Lamb - Fruitwoods, Mesquite

Veal - Fruitwoods, Grapevines

Seafood - Alder, Mesquite

Vegetables - Mesquite

COOKING TIPS

Building Your Fire

1. Stack charcoal briquettes or wood into a pyramid-shaped pile on top of the charcoal grate or ash pan. We recommend using 3 pounds (approximately 45 briquettes) to start your fire, adding more as needed.
2. If using lighter fluid, saturate the charcoal briquettes with lighter fluid and let it soak in for approximately 5 minutes. If using a chimney starter, electric starter, or other type of fire starter, light your fire according to the manufacturer's instructions.
3. Always light the fire with the cooking chamber and firebox lids open. Leave lid open until briquettes are fully lit. Failure to do this could trap fumes from charcoal lighter fluid in grill and may result in a flash fire when lid is opened.
4. Never add charcoal lighter fluid to hot or warm coals as flashbacks may occur causing injury.
5. You are ready to begin cooking when the pile of briquettes ashes over and produces a red glow (approximately 12 - 15 minutes).
6. Depending on your cooking method, either leave the briquettes in a pile or spread evenly across the charcoal grate using a long-handled poker.
7. Avoid laying coals on grill walls.

FOOD SAFETY

Food safety is a very important part of enjoying the outdoor cooking experience. To keep food safe from harmful bacteria, follow these four basic steps:

1. **Clean:** Wash hands, utensils, and surfaces with hot soapy water before and after handling raw meat.
2. **Separate:** Separate raw meats from ready-to-eat foods to avoid cross contamination. Use a clean platter and utensils when removing cooked foods.
3. **Cook:** Cook meat and poultry thoroughly to kill bacteria. Use a thermometer to ensure proper internal food temperatures.
4. **Chill:** Refrigerate prepared foods and leftovers promptly.

FOOD SAFE GRILLING TEMPERATURES FROM THE FDA

Meat

Cook beef, pork, veal, and lamb roasts, steaks, and chops to at least 145° F (63° C), with a 3 minute rest time.

Ground Meat

Cook ground beef, veal, lamb, and pork to at least 160° F (71° C).

Cook ground poultry to 165° F (74° C).

Poultry

Cook all poultry to minimal safe internal temperature of 165° F (74° C).

You may wish to cook poultry to a higher temperature for personal preference.

Cooking on your new grill is a hands-on experience, and it is recommended to remain outside with your grill while cooking.

- Grilling can be affected by many external conditions. In cold weather, you will need more heat to reach an ideal cooking temperature, and grilling may take longer. The meat's internal temperature and thickness can also affect cooking times.
- Cold and thicker meats will take longer to cook.

GRILL MAINTENANCE

1. Frequency of clean up is determined by how often the grill is used.
2. Make sure coals are completely extinguished before cleaning inside of the unit.
3. Thoroughly rinse with water and allow to air dry before using again.
4. Wipe out the interior of the unit with a cloth or paper towels.
5. When finished cooking, and the unit has adequately cooled, clean out all remaining ashes.
6. Ashes collect moisture, which can lead to premature rusting and decay.
7. Periodically coating the interior surfaces with vegetable oil will aid in the protection of your unit. Also, occasional touch up of the exterior paint will be required. Black, high-temperature spray paint is recommended.

NEVER PAINT THE INTERIOR OF THE UNIT.

Cooking Surface: If a bristle brush is used to clean any of the grill cooking surfaces, ensure no loose bristles remain on cooking surfaces prior to grilling. It is not recommended to clean cooking surfaces while grill is hot.

RENSEIGNEMENTS DE SÉCURITÉ IMPORTANTS

CE MANUEL D'INSTRUCTIONS CONTIENT DES RENSEIGNEMENTS IMPORTANTS ET NÉCESSAIRES AU BON ASSEMBLAGE ET À L'UTILISATION SÉCURITAIRE DE L'APPAREIL.

CONFORMEZ-VOUS À TOUS LES AVERTISSEMENTS ET SUIVEZ TOUTES LES INSTRUCTIONS LORSQUE VOUS VOUS SERVEZ DE L'APPAREIL.

INSTALLATEUR/MONTEUR :

REMETTEZ CE MANUEL AU CONSOMMATEUR.

CONSOMMATEUR :

CONSERVEZ CE MANUEL POUR RÉFÉRENCE ULTÉRIEURE.

SYMBOLES DE SÉCURITÉ

Tout au long de ce mode d'emploi, des énoncés de **DANGER**, d'**AVERTISSEMENT** et de **MISE EN GARDE** servent à souligner des renseignements critiques et importants. Lisez et respectez ces énoncés pour assurer votre sécurité et prévenir tout dommage matériel. Les énoncés sont définis ci-après.



AVERTISSEMENT

AVERTISSEMENT : Indique une situation potentiellement dangereuse ou une pratique dangereuse qui, si elle n'est pas évitée, pourrait entraîner des blessures de gravité légère ou moyenne.



MISE EN GARDE

AVERTISSEMENT : Indique toute situation présentant un danger potentiel qui, s'il n'est pas évité, pourrait entraîner la mort ou une blessure grave.



DANGER

DANGER : Indique une situation dangereuse imminente qui, si elle n'est pas évitée, entraînera la mort ou des blessures graves.



MISE EN GARDE

Veillez lire ce manuel d'un bout à l'autre avant d'installer et d'utiliser cet appareil. Le non-respect de ces instructions peut entraîner des dommages matériels ou des blessures, voire la mort. Prenez contact avec les responsables locaux de la construction ou des incendies pour connaître les restrictions et les exigences en matière d'inspection des installations dans votre région. Conservez ces instructions.

Le monoxyde de carbone est un gaz incolore, inodore et insipide produit par la combustion de gaz, de bois, de propane, de charbon de bois ou d'autres combustibles.

- Connaissez les symptômes d'une intoxication au monoxyde de carbone : maux de tête, vertiges, faiblesse, nausées, vomissements, somnolence et confusion. Le monoxyde de carbone réduit la capacité du sang à transporter l'oxygène. Un faible taux d'oxygène dans le sang peut entraîner une perte de conscience et la mort.
- Consultez un médecin si vous ou d'autres personnes développez des symptômes semblables à ceux du rhume ou la grippe lorsque vous cuisinez ou vous êtes à proximité de cet appareil. L'intoxication au monoxyde de carbone, qui peut facilement être confondue avec le rhume ou la grippe, est souvent détectée trop tard.
- La consommation d'alcool et de drogues augmente les effets de l'intoxication au monoxyde de carbone.



MISE EN GARDE

- Le monoxyde de carbone est particulièrement toxique pour la mère et l'enfant pendant la grossesse, les nourrissons, les personnes âgées, les fumeurs et les personnes souffrant de problèmes sanguins ou circulatoires, tels que l'anémie ou les maladies cardiaques.
- Votre appareil doit être utilisé à l'extérieur, sur un sol non combustible et à l'écart de matériaux combustibles.
- Si vous faites fonctionner votre appareil sur des planchers protégés par une surface de protection incombustible, celle-ci doit être approuvée pour une telle utilisation par les responsables locaux de la construction ou des incendies.
- N'utilisez jamais d'essence, de combustible pour lanterne de type essence, de kérosène ou de liquides inflammables pour allumer ou attiser un feu dans cet appareil. Gardez de tels liquides loin de cet appareil lorsqu'il est utilisé.
- **N'UTILISEZ PAS** cet appareil sur ou près de surfaces ou de structures combustibles comme des terrasses en bois, des feuilles sèches ou des parements en bois ou en vinyle.

CONSULTEZ LE MODE D'EMPLOI POUR OBTENIR DES RENSEIGNEMENTS DE SÉCURITÉ IMPORTANTS.

- La plupart des surfaces de cet appareil sont chaudes pendant son utilisation. Faites preuve d'une extrême prudence.
- Maintenez les autres personnes à l'écart de l'appareil.
- Portez toujours des vêtements protecteurs afin d'éviter de vous blesser.
- Éloignez les enfants et les animaux de compagnie.
- **Ne laissez pas les jeunes enfants s'approcher de la flamme.**
- Ne déplacez pas cet appareil pendant qu'il fonctionne.
- Les braises chaudes peuvent s'envoler en cas de brise.
- Ne remplacez jamais l'allume-feu par de l'essence, du kérosène ou de l'alcool. La loi de certains États interdit l'usage d'allume-feu. Dans ce cas, des cubes d'allume-feu à base de paraffine peuvent remplacer l'allume-feu pour charbon de bois.
- N'utilisez jamais d'allume-feu liquide pour charbon de bois avec un démarreur électrique. Une fois qu'un feu de charbon de bois semble éteint, les braises peuvent rester chaudes pendant jusqu'à 24 heures, et si elles sont exposées à de l'air frais, elles peuvent s'embraser soudainement. Les braises retirées du foyer du gril présentent un risque d'incendie et peuvent mettre le feu aux surfaces combustibles comme les terrasses en bois.
- **N'UTILISEZ PAS** cet appareil sur ou près de surfaces ou de structures combustibles comme des terrasses en bois, des feuilles sèches ou des parements en bois ou en vinyle. **CONSULTEZ LE MODE D'EMPLOI POUR OBTENIR DES RENSEIGNEMENTS DE SÉCURITÉ IMPORTANTS.**
- Le cendrier doit être entièrement installé pendant le fonctionnement.
- Une installation incorrecte peut entraîner la chute de braises chaudes du produit.
- Laissez les braises refroidir complètement avant de retirer et de nettoyer le cendrier

NE LAISSEZ JAMAIS UN FEU SANS SURVEILLANCE!

L'OMISSION DE LIRE ET DE VOUS CONFORMER AUX INSTRUCTIONS D'ALLUMAGE DU CHARBON POURRAIT ENTRAÎNER DES BLESSURES GRAVES OU DES DOMMAGES MATÉRIELS IMPORTANTS.

FAITES TOUJOURS PREUVE DE PRUDENCE LORSQUE VOUS MANIPULEZ DU CHARBON ENCORE CHAUD AFIN D'ÉVITER LES BLESSURES.

UN MATÉRIEL D'EXTINCTION D'INCENDIE ADÉQUAT DOIT SE TROUVER À PORTÉE DE MAIN.



MISE EN GARDE

CET APPAREIL DOIT ÊTRE UTILISÉ SUR UNE SURFACE PLANE ET NON COMBUSTIBLE.

UNE SURCHARGE DE CET APPAREIL PEUT PROVOQUER UN RENVERSEMENT ET ENTRAÎNER DES BLESSURES GRAVES ET/OU DES DOMMAGES MATÉRIELS IMPORTANTS.



AVERTISSEMENT

Lisez et suivez toutes les consignes de sécurité, les mises en garde, les instructions de montage et les directives d'utilisation et d'entretien ci-après avant de tenter de monter l'appareil.

AVERTISSEMENT : L'appareil peut être **CHAUD**. Au besoin, protégez vos mains.

Certaines pièces pourraient présenter des bords coupants! Au besoin, portez des gants de protection. **CET APPAREIL EST LOURD! NE TENTEZ PAS** de l'assembler sans un assistant.

RENSEIGNEMENTS DE SÉCURITÉ IMPORTANTS

1. Un espace minimum de 36 po (1 m) entre les constructions combustibles et les côtés de l'appareil, et de 36 po (1 m) entre l'avant et l'arrière de l'appareil et les constructions combustibles doit être respecté. N'utilisez pas cet appareil à l'intérieur ou dans un endroit clos et non ventilé, comme un garage. Cet appareil ne doit pas être placé sous des plafonds ou des porte-à-faux combustibles. Gardez votre appareil dans un endroit libre de tout matériau combustible, d'essence et de tout autre liquide ou gaz inflammable. **VOIR LA FIGURE A CI-DESSOUS.**
2. En cas de feu de graisse non maîtrisé, ne jetez pas d'eau sur l'appareil. N'essayez pas d'étouffer le feu. Nous vous recommandons de conserver sur place un extincteur de classe ABC approuvé. En cas de feu hors de contrôle, téléphonez au service d'incendie.
3. Ne transportez ou ne déplacez pas l'appareil en cours d'utilisation ou lorsqu'il est chaud. Assurez-vous que le feu est complètement éteint et que l'appareil a complètement refroidi avant de le déplacer.
4. Après les périodes d'entreposage, nettoyez l'appareil avant de l'utiliser. Un entretien régulier est nécessaire pour prolonger la durée de vie de votre appareil. Si l'appareil est entreposé à l'extérieur pendant la saison des pluies ou les périodes de forte humidité.
5. Le port de gants de cuisine résistants à la chaleur est recommandé lors de l'utilisation de l'appareil. Rendez-vous à Charbroil.com pour obtenir une bonne sélection de gants de cuisine. N'utilisez pas d'accessoires dont l'utilisation avec cet appareil n'est pas indiquée. Ne mettez pas de housse ou tout autre article inflammable dans l'espace de rangement sous l'appareil. Pour réduire le risque d'incendie, retirez les casseroles et les poêles lorsque l'appareil fonctionne sans surveillance.
6. Cet appareil n'est pas conçu pour être utilisé par des personnes (y compris des enfants) ayant des capacités physiques, sensorielles ou mentales réduites, ou qui manquent d'expérience et de connaissances, sauf si une personne responsable de leur sécurité les supervise ou leur a fourni des instructions concernant l'utilisation sécuritaire de l'appareil. Les enfants doivent être supervisés afin de s'assurer qu'ils ne jouent pas avec l'appareil.
7. Certaines parties de l'appareil peuvent être très chaudes et causer des blessures graves. Gardez les jeunes enfants et les animaux à l'écart de l'appareil pendant son utilisation.

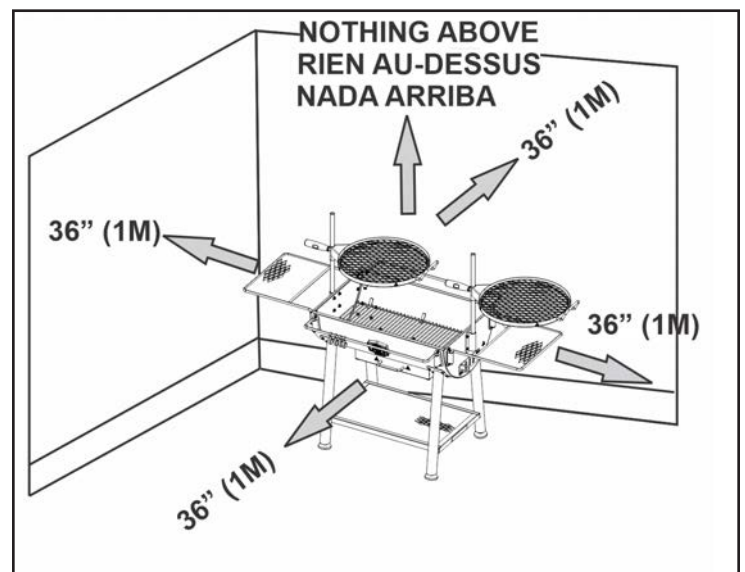


FIGURE A

PRÉPARATION DE VOTRE GRIL

Vous devez suivre soigneusement les étapes suivantes pour apprêter le fini et préparer le revêtement intérieur en acier de votre fumoir avant de vous en servir. L'omission de bien suivre ces étapes pourrait endommager le fini ou donner une saveur métallique à vos premiers aliments.

1. Brossez toutes les surfaces intérieures, y compris les grilles, avec de l'huile végétale à cuisson.
2. Montez un petit feu dans le panier en vous assurant que les briquettes ne touchent pas aux parois.
3. Placez tous les accessoires sur les perches et mettez-les dans la position la plus basse, au-dessus du feu.
4. Cette combustion devrait être entretenue pendant au moins deux heures (ou le plus longtemps possible) Votre grill est maintenant prêt à l'emploi.

De la rouille peut apparaître à l'intérieur de votre fumoir. Gardez une légère couche d'huile végétale sur les surfaces intérieures pour aider à protéger votre appareil. Les surfaces extérieures du grill peuvent nécessiter des retouches occasionnelles. Nous recommandons l'utilisation d'une peinture en aérosol noire pour hautes températures disponible dans le commerce. **N'ENDUISEZ JAMAIS L'INTÉRIEUR DE L'APPAREIL DE PEINTURE!**

CUISSON AU GRIL

Une bonne cuisson au charbon dépend d'un bon feu. La règle générale pour savoir si votre feu est prêt pour la cuisson au grill est de vous assurer que 80 % ou plus des briquettes sont couvertes de cendres grises. Répartissez prudemment les briquettes chaudes sur la grille à charbon de bois selon la méthode de cuisson désirée. Voici quelques façons de régler la température de votre feu :

- S'il est trop chaud, étalez davantage les briquettes, ce qui en réduira l'intensité.
- Évitez de mettre des briquettes sur les parois du grill.
- S'il se produit une importante poussée de flammes, pulvérisez-les avec de l'eau. Faites preuve de prudence, la pulvérisation avec de l'eau tend à souffler les cendres et à faire des dégâts.
- Ajoutez les briquettes 2 ou 3 à la fois pour prolonger leur durée. Laissez les briquettes se couvrir de cendres pendant 10 minutes avant d'en rajouter.

CUISSON AVEC DES COPEAUX OU DES MORCEAUX DE BOIS

Pour une saveur de fumée plus intense lorsque vous utilisez des briquettes de charbon ou des morceaux de charbon, essayez d'ajouter au feu des copeaux de bois ou plusieurs morceaux de bois. Des morceaux de bois sont offerts dans une gamme d'arômes naturels et ils peuvent être utilisés seuls ou en plus du charbon. En général, tout bois dur qui porte des fruits ou des noix convient à la cuisson. Toutefois, différents bois ont des saveurs très différentes.

Essayez différents bois afin de déterminer celui que vous préférez, et utilisez toujours du bois bien sec. Le bois vert ou fraîchement coupé peut noircir les aliments et leur conférer une saveur amère.

CUISSON AVEC DES COPEAUX OU DES MORCEAUX DE BOIS

Nos recommandations :

- Poulet – Aulne, pommier, caryer, prosopis
- Bœuf – Caryer, prosopis, chêne
- Porc – Bois d'arbres fruitiers, caryer, chêne
- Agneau – Bois d'arbres fruitiers, prosopis
- Veau – Bois d'arbres fruitiers, vignes
- Fruits de mer – Aulne, prosopis
- Légumes – Prosopis

SUGGESTIONS POUR LA CUISSON

Préparation du feu

1. Empilez des briquettes de charbon ou du bois en forme de pyramide sur la grille de charbon ou le cendrier. Nous vous recommandons d'utiliser 3 livres (environ 45 briquettes) pour démarrer votre feu et d'en rajouter au besoin.
2. Si vous utilisez du liquide d'allumage, saturez les briquettes de charbon avec le liquide d'allumage et laissez-les s'imprégner pendant environ 5 minutes. Si vous utilisez un allume-feu pour foyer, un allume-feu électrique ou tout autre type d'allume-feu, suivez les instructions du fabricant.
3. Ouvrez toujours le couvercle de la chambre de cuisson et du foyer avant d'allumer le feu. Laissez le couvercle ouvert jusqu'à ce que les briquettes soient complètement allumées. L'omission de le faire pourrait emprisonner les émanations du liquide d'allumage à charbon dans le grill et pourrait provoquer une inflammation instantanée lors de l'ouverture du couvercle.
4. N'ajoutez jamais de liquide d'allumage à charbon de bois sur des briquettes chaudes ou tièdes, car cela pourrait causer un retour de flammes et provoquer des blessures.
5. Vous pouvez commencer la cuisson lorsque la pile de briquettes se couvre de cendres et produit une lueur rouge (environ 12 à 15 minutes).
6. Selon votre méthode de cuisson, vous pouvez laisser les briquettes en tas ou les étendre uniformément sur la grille à charbon de bois avec un tisonnier à long manche.
7. Évitez de mettre des briquettes sur les parois du grill.

SALUBRITÉ ALIMENTAIRE

La salubrité alimentaire est une partie très importante de l'expérience de cuisson en plein air. Pour protéger les aliments contre les bactéries nocives, suivez ces quatre étapes fondamentales :

1. **Nettoyez** : lavez vos mains, les ustensiles et les surfaces avec de l'eau chaude savonneuse avant et après la manipulation de viande crue.
2. **Séparez** : séparez la viande crue des aliments prêts à manger pour éviter la contamination croisée. Utilisez un plateau et des ustensiles propres lorsque vous retirez les aliments cuits.
3. **Cuisez** : cuisez à fond la viande et la volaille pour tuer les bactéries. Utilisez un thermomètre pour vous assurer que les températures internes correctes sont atteintes.
4. **Réfrigérez** : réfrigérez rapidement les aliments préparés et les restes.

TEMPÉRATURES DE GRILLADE DE SÉCURITÉ POUR LES ALIMENTS SELON LA FDA

Viande

Faites cuire les rôtis, les biftecks et les côtelettes de bœuf, de porc, de veau et d'agneau jusqu'à une température minimale de 145 °F (63 °C), et laissez-les reposer 3 minutes.

Viande hachée

Faites cuire le bœuf, le veau, l'agneau et le porc hachés jusqu'à une température minimale de 160 °F (71 °C).

Faites cuire la volaille jusqu'à une température de 165 °F (74 °C).

Volaille

Faites cuire toutes les volailles jusqu'à une température interne minimale de sécurité de 165 °F (74 °C).

Vous pouvez faire cuire la volaille à une température plus élevée, selon vos préférences personnelles.

La cuisson sur votre nouveau grill est une expérience pratique, et il est recommandé que vous restiez à l'extérieur près de votre grill pendant la cuisson.

- La cuisson au grill peut être affectée par bon nombre de conditions extérieures. Par temps froid, vous aurez besoin de davantage de chaleur pour atteindre une température de cuisson idéale, et la durée de la cuisson au grill pourrait être prolongée. La température interne et l'épaisseur de la viande peuvent également affecter les temps de cuisson.
- Les viandes froides ou plus épaisses mettront plus de temps à cuire.

ENTRETIEN DU GRIL

1. La fréquence du nettoyage dépend de la fréquence d'utilisation du grill.
2. Assurez-vous que les briquettes sont complètement éteintes avant de nettoyer l'intérieur de l'appareil.
3. Rincez-le abondamment à l'eau et laissez-le sécher à l'air avant de vous en servir à nouveau.
4. Essuyez l'intérieur de l'appareil avec un chiffon ou avec des essuie-tout.
5. Lorsque la cuisson est terminée et que l'appareil a bien refroidi, enlevez toutes les cendres.
6. Les cendres accumulent de l'humidité, ce qui peut faire rouiller et endommager votre appareil de manière prématurée.
7. Votre appareil sera mieux protégé si vous enduisez périodiquement les parois intérieures d'huile végétale. En outre, il faudra occasionnellement retoucher la peinture de la surface extérieure. Il est recommandé d'utiliser une peinture noire en aérosol supportant les chaleurs élevées.

N'ENDUISEZ JAMAIS L'INTÉRIEUR DE L'APPAREIL DE PEINTURE.

Surface de cuisson : Si vous utilisez une brosse à soies pour nettoyer les surfaces de cuisson du grill, assurez-vous qu'aucune soie ne reste sur les surfaces de cuisson avant l'utilisation. Il est déconseillé de nettoyer les surfaces de cuisson lorsque le grill est chaud.

INFORMACIÓN DE SEGURIDAD IMPORTANTE

ESTE MANUAL DE INSTRUCCIONES CONTIENE IMPORTANTE INFORMACIÓN NECESARIA PARA EL CORRECTO ENSAMBLAJE Y USO SEGURO DEL APARATO.

SIGA TODAS LAS ADVERTENCIAS E INSTRUCCIONES CUANDO UTILICE EL APARATO.

INSTALADOR/ENSAMBLADOR:

DEJE ESTE MANUAL AL CLIENTE.

CONSUMIDOR:

CONSERVE ESTE MANUAL PARA FUTURAS CONSULTAS.

SÍMBOLOS DE SEGURIDAD

Las declaraciones de PELIGRO, ADVERTENCIA y PRECAUCIÓN se utilizan a lo largo de este Manual del Propietario para enfatizar información crítica e importante. Lea y siga estas declaraciones para ayudar a garantizar la seguridad y evitar daños a la propiedad. Las declaraciones se definen a continuación.



PRECAUCIÓN

PRECAUCIÓN: Indica una situación potencialmente peligrosa o una práctica insegura que, si no se evita, puede dar lugar a sufrir lesiones leves o moderadas.



ADVERTENCIA

ADVERTENCIA: Indica una situación potencial de riesgo que, si no se evita, puede dar lugar a la muerte o a sufrir lesiones graves.



PELIGRO

PELIGRO: Indica una situación de riesgo inminente que, si no se evita, dará lugar a la muerte o a sufrir lesiones graves.



ADVERTENCIA

Lea este manual completo antes de instalar y usar este aparato. No seguir estas instrucciones podría provocar daños a la propiedad, lesiones corporales o incluso la muerte. Comuníquese con los funcionarios locales de construcción o bomberos acerca de las restricciones y los requisitos de inspección de instalación en su área. Guarde estas instrucciones.

El monóxido de carbono es un gas incoloro, inodoro e insípido producido al quemar gas, madera, propano, carbón vegetal u otro combustible.

- Conozca los síntomas del envenenamiento por monóxido de carbono: dolor de cabeza, mareos, debilidad, náuseas, vómitos, somnolencia y confusión. El monóxido de carbono reduce la capacidad de la sangre para transportar oxígeno. Los niveles bajos de oxígeno en la sangre pueden provocar la pérdida del conocimiento y la muerte.
- Consulte a un médico si usted u otras personas desarrollan síntomas de resfriado o gripe mientras cocinan o están cerca de este electrodoméstico. La intoxicación por monóxido de carbono, que puede confundirse fácilmente con un resfriado o una gripe, a menudo se detecta demasiado tarde.
- El consumo de alcohol y el uso de drogas aumentan los efectos del envenenamiento por monóxido de carbono.
- El monóxido de carbono es especialmente tóxico para la madre y el niño durante el embarazo, los bebés, los ancianos, los fumadores y las personas con problemas sanguíneos o del sistema circulatorio, como anemia o enfermedades cardíacas.



ADVERTENCIA

- Su electrodoméstico debe operarse al aire libre sobre pisos no combustibles y lejos de materiales combustibles.
- Si opera su electrodoméstico en pisos protegidos con una superficie protectora no combustible, la superficie protectora debe estar aprobada para tal uso por los funcionarios locales de construcción o bomberos.
- Nunca use gasolina, combustible para lámparas tipo gasolina, queroseno o líquidos inflamables para iniciar o "reavivar" un fuego en este artefacto. Mantenga todos estos líquidos bien alejados de este artefacto cuando esté en uso.
- **NO** use esta unidad sobre o cerca de superficies o estructuras combustibles, como cubiertas de madera, hojas secas o césped, revestimiento de vinilo o madera, etc.

CONSULTE EL MANUAL DEL PROPIETARIO PARA OBTENER INFORMACIÓN IMPORTANTE DE SEGURIDAD.

- La mayoría de las superficies de esta unidad están calientes cuando está en uso. Tener mucho cuidado.
- Mantenga a los demás alejados de la unidad.
- Siempre use ropa protectora para evitar lesiones.
- Mantenga a los niños y mascotas lejos.
- No permita que los niños pequeños se acerquen a las llamas.
- No mueva esta unidad durante el funcionamiento.
- Las brasas calientes podrían salir volando durante condiciones de brisa.
- Nunca sustituya la gasolina, queroseno o alcohol con líquido para encender carbón vegetal. En algunos estados, el uso de líquido para encender carbón vegetal está prohibido por la ley. En ese caso, los cubos de encendido a base de parafina pueden sustituirse con líquido para encender carbón vegetal.
- Nunca use líquido para encender carbón vegetal con un encendedor eléctrico. Después de un fuego de carbón parece apagado, las brasas no consumidas pueden retener el calor hasta por 24 horas y si se exponen al aire fresco, pueden generar una llama inesperadamente. Cualquiera de esas brasas fuera de la cámara de combustión de la parrilla suponen un peligro de incendio y pueden encender superficies combustibles como tarimas de madera.
- **NO** use esta unidad sobre o cerca de superficies o estructuras combustibles, como cubiertas de madera, hojas secas o césped, revestimiento de vinilo o madera, etc. **CONSULTE EL MANUAL DEL PROPIETARIO PARA OBTENER INFORMACIÓN IMPORTANTE DE SEGURIDAD.**
- El cenicero debe estar completamente instalado durante el funcionamiento.
- Si no se instala correctamente, podrían caer brasas calientes del producto.
- Deje que las brasas se enfríen por completo antes de retirar y limpiar el cenicero.



ADVERTENCIA

¡NUNCA DEJE EL FUEGO DESATENDIDO!

NO LEER Y SEGUIR LAS INSTRUCCIONES PARA ENCENDER EL CARBÓN PUEDE RESULTAR EN LESIONES PERSONALES GRAVES Y/O DAÑOS A LA PROPIEDAD.

SIEMPRE TENGA CUIDADO CUANDO MANEJE CARBÓN CALIENTE PARA EVITAR LESIONES.

EL MATERIAL DE EXTINCIÓN DE INCENDIOS ADECUADO DEBE ESTAR FÁCILMENTE DISPONIBLE.

ESTE APARATO DEBE UTILIZARSE EN UNA SUPERFICIE NIVELADA NO COMBUSTIBLE.

SOBRECARGAR ESTE APARATO PODRÍA RESULTAR EN UNA VOLCADURA Y PUEDE RESULTAR EN LESIONES PERSONALES GRAVES O DAÑOS A LA PROPIEDAD.



PRECAUCIÓN

Lea y siga todas las declaraciones de seguridad, advertencias, instrucciones de ensamblaje e instrucciones de uso y cuidado antes de intentar ensamblar el aparato.

PRECAUCIÓN: El artefacto puede estar **CALIENTE**. Use protección para las manos si es necesario.

Algunas piezas podrían tener bordes afilados. Use guantes protectores si es necesario. **¡ESTA UNIDAD ES PESADA! NO** intente ensamblar la unidad sin un ayudante.

INFORMACIÓN DE SEGURIDAD IMPORTANTE

1. Se debe mantener un espacio libre mínimo de 36 pulgadas (1 metro) desde las construcciones combustibles a los lados del aparato, y 36 pulgadas (1 metro) desde la parte delantera y posterior del aparato hasta las construcciones combustibles. No utilice este aparato en interiores o en un área cerrada sin ventilación, como un garaje. Este aparato no debe colocarse debajo de techos elevados o voladizos combustibles. Mantenga su electrodoméstico en un área despejada y libre de materiales combustibles, gasolina y otros vapores y líquidos inflamables. **CONSULTE LA FIGURA A, A CONTINUACIÓN.**
2. Si se produce un incendio de grasa descontrolado, no arroje agua sobre la unidad. No trate de sofocar el fuego. Recomendamos que mantenga un extintor de incendios aprobado de clase ABC en el sitio. Si ocurre un incendio descontrolado, llame a su Departamento de Bomberos.
3. No transporte ni mueva su electrodoméstico mientras esté en uso o mientras esté caliente. Asegúrese de que el fuego esté completamente apagado y que el aparato se haya enfriado por completo antes de moverlo.
4. Después de períodos de almacenamiento, limpie antes de usar. Se requiere cuidado y mantenimiento regular para prolongar la vida útil de su artefacto. Si el aparato se almacena al aire libre durante la lluvia o períodos de alta humedad.
5. Se recomienda utilizar manoplas o guantes resistentes al calor para asar al operar el aparato. Visite Charbroil.com para ver una buena selección de guantes para barbacoa. No utilice accesorios no especificados para su uso con este aparato. No coloque una cubierta del electrodoméstico ni nada inflamable en el espacio de almacenamiento debajo del electrodoméstico. Retire las ollas y sartenes mientras el aparato en funcionamiento esté desatendido, para reducir el riesgo de incendio.
6. Este electrodoméstico no está diseñado para que lo usen personas (incluidos los niños) con capacidades físicas, sensoriales o mentales reducidas, o falta de experiencia y conocimiento, a menos que una persona responsable de su seguridad les haya supervisado o les haya dado instrucciones sobre el uso del electrodoméstico. Los niños deben ser supervisados para asegurarse de que no jueguen con el aparato.
7. Las piezas del aparato pueden estar muy calientes y pueden producirse lesiones graves. Mantenga alejados a los niños pequeños y las mascotas mientras está en uso.

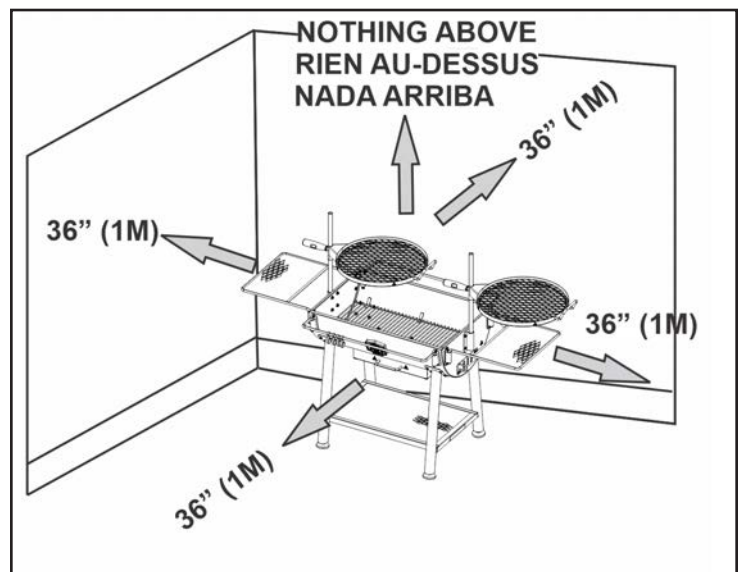


FIGURA A

PREPARACIÓN PARA USAR SU PARRILLA

Antes de cocinar con su parrilla, deben seguirse cuidadosamente los siguientes pasos para el curado, acabado y sazonado del acero interior. No seguir estos pasos puede dañar el acabado y/o impartir sabores metálicos a sus primeras comidas.

1. Cepille todas las superficies interiores, incluidas grillas y parrillas, con aceite de cocina vegetal.
2. Encienda un pequeño fuego en la sartén, asegurándose de no dejar brasas contra las paredes.
3. Coloque todos los accesorios en los postes y colóquelos en la posición más baja, sobre el fuego.
4. Esta quemadura debe mantenerse durante al menos dos horas, cuanto más tiempo, mejor. Su parrilla ahora está lista para usar.

El óxido puede aparecer en el interior de su parrilla. Mantener una capa ligera de aceite vegetal en las superficies interiores ayudará a proteger su unidad. Las superficies exteriores de la parrilla podrían necesitar retoques ocasionales. Recomendamos el uso de una pintura en aerosol negra de alta temperatura disponible comercialmente. **NUNCA PINTE EL INTERIOR DE LA UNIDAD.**

USO DE LA PARRILLA

Una parrilla de carbón exitosa depende de un buen fuego. La regla general para saber cuándo las brasas están listas para asar a la parrilla es asegurarse de que el 80 por ciento o más de las brasas estén gris ceniza. Tenga cuidado, coloque los carbones calientes en la parrilla de carbón en base a su método deseado de cocción. A continuación encontrará algunos pasos que puede seguir para ajustar la temperatura de su fuego:

- Si está demasiado caliente, esparza los carbones hacia fuera un poco más, lo que hace que el fuego sea menos intenso.
- Evite colocar las brasas contra las paredes de la parrilla.
- En caso de llamaradas severas, rocíe las llamas con agua desde una botella atomizadora. Tenga cuidado, el rociado con agua tiende a soplar las cenizas por los alrededores y hacer un desorden.
- Agregue briquetas, 2 o 3 a la vez, para aumentar el tiempo del fuego. Espere 10 minutos para que el carbón genere cenizas antes de añadir más.

CÓMO COCINAR A LA PARRILLA CON ASTILLAS DE MADERA/TROZOS DE MADERA

Para obtener un sabor ahumado más sólido mientras usa briquetas o pedazos de carbón, pruebe añadir trozos de madera o varios trozos de leña al fuego. Los trozos de leña pueden encontrarse en varios sabores naturales y pueden utilizarse solos o como complemento al carbón. Como regla general, cualquier madera dura de un árbol que produzca una fruta o nuez es adecuada para la cocina. Sin embargo, maderas diferentes tienen gustos muy distintos.

Experimente con diferentes maderas para determinar cuál es su favorita y siempre use una madera bien añeja. La madera verde o recién cortada puede volver negros los alimentos y generar sabores amargos.

CÓMO COCINAR A LA PARRILLA CON ASTILLAS DE MADERA/TROZOS DE MADERA

Nuestras recomendaciones son:

Pollo: aliso, manzano, nogal americano, mezquite

Res: nogal americano, mezquite, roble

Cerdo: árboles frutales, nogal americano, roble

Cordero: árboles frutales, mezquite

Ternera: árboles frutales, vides

Pescados y mariscos: aliso, mezquite

Verduras: mezquite

CONSEJOS DE COCINA

Cómo alimentar su fuego

1. Apile las briquetas de carbón o la madera en una pila en forma de pira en la parte superior de la rejilla para carbón o el recipiente de cenizas. Se recomienda utilizar 3 libras (aproximadamente 45 briquetas) para iniciar el fuego, agregue más según sea necesario.
2. Si usa líquido para encendedores, sature las briquetas de carbón con líquido para encendedores y déjelo en remojo durante aproximadamente 5 minutos. Si usa un encendedor para chimenea, un encendedor eléctrico u otro tipo de iniciador de fuego, encienda el fuego de acuerdo con las instrucciones del fabricante.
3. Encienda siempre el fuego con las tapas de la cámara de cocción y del hogar abiertas. Deje la tapa abierta hasta que las briquetas se enciendan completamente. Si no lo hace, los vapores del líquido para encendedor de carbón podrían quedar atrapados en la parrilla y podría provocar un incendio repentino cuando se abre la tapa.
4. Nunca agregue líquido encendedor de carbón vegetal a carbón caliente o tibio ya que el retroceso de la llama podría generar lesiones.
5. Estará listo para empezar a cocinar cuando la pila de briquetas comience a soltar cenizas y produzca un resplandor de color rojo (aproximadamente en 12 a 15 minutos).
6. Dependiendo del método de cocción, deje las briquetas en una pila o repártalas uniformemente en la parrilla de carbón utilizando un atizador de mango largo.
7. Evite colocar brasas contra las paredes de la parrilla.

SEGURIDAD DE LOS ALIMENTOS

La seguridad de los alimentos es una parte muy importante de disfrutar de la experiencia de cocinar al aire libre. Para mantener los alimentos seguros de bacterias dañinas, siga estos cuatro pasos básicos:

- 1. Limpiar:** Lávese las manos, los utensilios y las superficies con agua jabonosa caliente antes y después de manipular carne cruda.
- 2. Separar:** Separe las carnes crudas de los alimentos listos para comer para evitar contaminaciones cruzadas. Utilice un plato limpio cuando retire los alimentos cocidos.
- 3. Cocinar:** Cocine bien las carnes rojas y las carnes blancas para matar las bacterias. Use un termómetro para asegurar las temperaturas internas adecuadas de los alimentos.
- 4. Enfriar:** Refrigere los alimentos preparados y las sobras de inmediato.

TEMPERATURAS SEGURA DE ASADO A LA PARRILLA PARA ALIMENTOS DE LA FDA

Carne

Cocine asados, bistecs y chuletas de res, cerdo, ternera y cordero a por lo menos 63 °C (145 °F), con un tiempo de reposo de 3 minutos.

Carne molida

Cocine la carne molida de res, ternera, cordero y cerdo a por lo menos 160 °F (71 °C).
Cocine la carne de ave molida a 74 °C (165 °F).

Carne de aves

Cocine todas las aves a una temperatura interna mínima segura de 165 °F (74 °C).
Es posible que desee cocinar las aves a una temperatura más alta según sus preferencias personales.

Cocinar en su nueva parrilla es una experiencia práctica, y se recomienda permanecer en exteriores con su parrilla durante la cocción.

- El asado en la parrilla puede verse afectado por muchas condiciones externas. En climas fríos, necesitará más calor para llegar a una temperatura ideal de cocción y el asado podría tomar más tiempo. La temperatura interna y el grosor de la carne también pueden afectar los tiempos de cocción.
- Las carnes frías y más gruesas requerirán de un mayor tiempo para cocinarse.

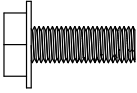
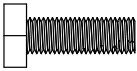
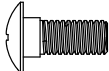
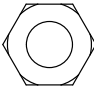
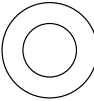
MANTENIMIENTO DE LA PARRILLA

1. La frecuencia de limpieza está determinada por la frecuencia con la que se usa la parrilla.
2. Asegúrese de que los carbones estén totalmente extintos antes de limpiar el interior de la unidad.
3. Enjuague meticulosamente con agua y seque al aire antes de volver a usar.
4. Limpie el interior de la unidad con un paño o papel toalla.
5. Cuando termine de cocinar, y la unidad se haya enfriado adecuadamente, limpie y retire todas las cenizas restantes.
6. Las cenizas absorben humedad, lo que puede conducir a una oxidación y desgaste prematuros.
7. Recubrir periódicamente las superficies interiores con aceite vegetal ayudará a proteger su unidad. Además, se requerirá ocasionalmente de un retoque de pintura en exteriores. Se recomienda el uso de pintura negra en aerosol para altas temperaturas.

NUNCA PINTE EL INTERIOR DE LA UNIDAD.

Superficie de cocción: Si usa un cepillo con cerdas para limpiar cualquiera de las superficies de cocción de la parrilla, asegúrese que no queden cerdas sueltas en las superficies de cocción antes de cocinar. No se recomienda limpiar las superficies de cocción mientras la parrilla está caliente.

HARDWARE LIST / LISTA DE EQUIPOS / LISTE DU MATÉRIEL

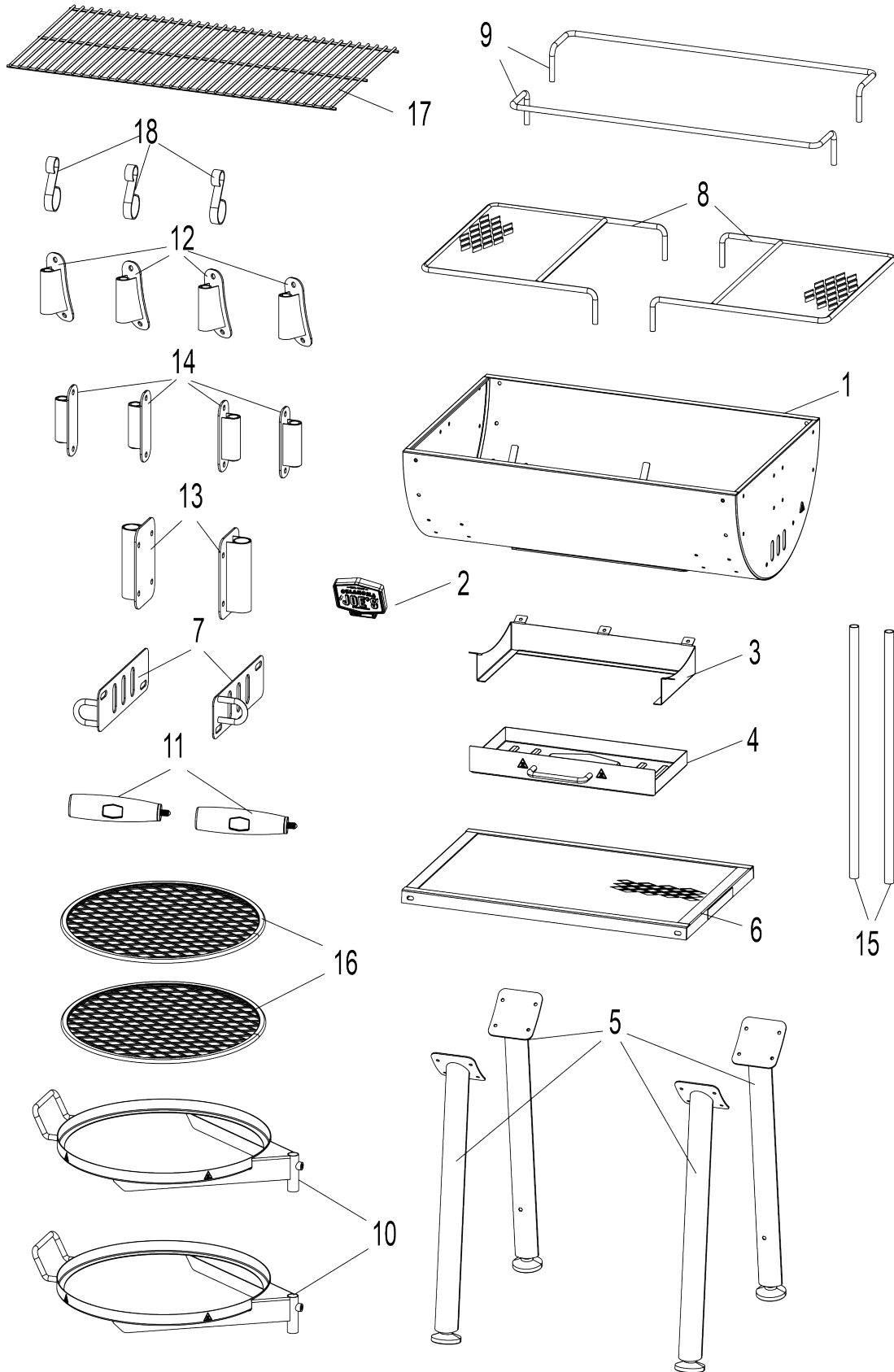
Key • Clv • Clé	Description • Descripción	Picture • Imagen • Image	Qty. • Cant. • Qté
A	1/4-20 x1/2" HEX WASHER HEAD SCREW Ecroû hexagonal 1/4-20 x1/2 po 1/4-20 x1/2" Tornillo		10
B	1/4-20 x1/2" HEX SCREW TORNILLO HEXAGONAL HEX VIS		44
C	1/4-20 x1/2" SHOULDER BOLT Vis a epaulement 1/4-20 x1/2" 1/4-20 x1/2" perno hombre		4
D	1/4-20 HEX NUT TUERCA ÉCROU		44
E	1/4" ALUMINUM WASHER 1/4po GRANDE ARANDELA 1/4" GRANDE RONDELLE		44

REPLACEMENT PARTS LIST / LISTA DE PIEZAS DE REPUESTO / LISTE DES PIÈCES DE RECHANGE

Key	Qty	Description
1	1	FIREBOX
2	1	LOGO PLATE
3	1	ASH PAN FRAME
4	1	ASH PAN
5	4	LEG
6	1	BOTTOM SHELF
7	2	DAMPER ASSEMBLY
8	2	SIDE SHELF
9	2	TOWEL BAR
10	2	GRATE HOLDER, ROUND
11	2	SCREW HANDLE, F/ GRATE HOLDER
12	4	BRACKET, F/ TOWEL BAR
13	2	BRACKET, F/ ELEVATION POLE
14	4	BRACKET, F/ SIDE SHELF
15	2	ELEVATION POLE
16	2	COOKING GRATE
17	1	FIRE GRATE
18	3	TOOL HOOK
NOT Pictured		
...	1	PRODUCT GUIDE, ENGLISH, FRENCH, SPANISH
...	1	HARDWARE PACK
...	1	GRATE LIFTER
	4	SWIVEL FOOT F/ LEG
Clé Qté Description		
1	1	FOYER
2	1	PLAQUE LOGO
3	1	CADRE DU CENDRIER
4	1	CENDRIER
5	4	JAMBE
6	1	ÉTAGÈRE INFÉRIEURE
7	2	ASSEMBLAGE DE L'AMORTISSEUR
8	2	TABLETTE LATÉRALE
9	2	BARRE SERVIETTES
10	2	SUPPORT DE GRILLE, ROND
11	2	POIGNEE A VIS, P/ SUPPORT DE GRILLE
12	4	SUPPORT, P/ BARRE SERVIETTE
13	2	SUPPORT, P/ POTEAU D'ELEVATION
14	4	SUPPORT, F/ TABLETTE LATÉRALE
15	2	MÂT D'ÉLEVATION
16	2	GRILLE DE CUISSON
17	1	GRILLE DE FEU
18	3	CROCHET À OUTILS

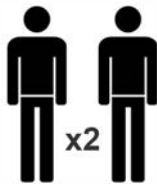
Clé	Qté	Description
14	4	SUPPORT, F/ TABLETTE LATÉRALE
15	2	MÂT D'ÉLEVATION
16	2	GRILLE DE CUISSON
17	1	GRILLE DE FEU
18	3	CROCHET À OUTILS
NON illustré		
...	1	GUIDE DU PRODUIT, ANGLAIS, FRANÇAIS, ESPAGNOL
...	1	SACHET DE BOULONNERIE
...	1	LÈVE-GRILLE
	4	PIED PIVOTANT POUR JAMBE
Clv: Cant. Descripción		
1	1	FOYER
2	1	PLAQUE LOGO
3	1	CADRE DU CENDRIER
4	1	CENDRIER
5	4	JAMBE
6	1	ÉTAGÈRE INFÉRIEURE
7	2	ASSEMBLAGE DE L'AMORTISSEUR
8	2	TABLETTE LATÉRALE
9	2	BARRE SERVIETTES
10	2	SUPPORT DE GRILLE, ROND
11	2	POIGNEE A VIS, P/ SUPPORT DE GRILLE
12	4	SUPPORT, P/ BARRE SERVIETTE
13	2	SUPPORT, P/ POTEAU D'ELEVATION
14	4	SUPPORT, F/ TABLETTE LATÉRALE
15	2	MÂT D'ÉLEVATION
16	2	GRILLE DE CUISSON
17	1	GRILLE DE FEU
18	3	CROCHET À OUTILS
NO se incluye en la imagen		
...	1	GUÍA DEL PRODUCTO, INGLÉS, FRANCÉS, ESPAÑOL
...	1	PAQUETE DE ACCESORIOS
...	1	ELEVADOR DE LA PARILLA
	4	PIE GIRATORIO PARA PATA

REPLACEMENT PARTS DIAGRAM / DIAGRAMA DE PIEZAS DE REPUESTO / SCHEMA DES PIÈCES DE RECHANGE

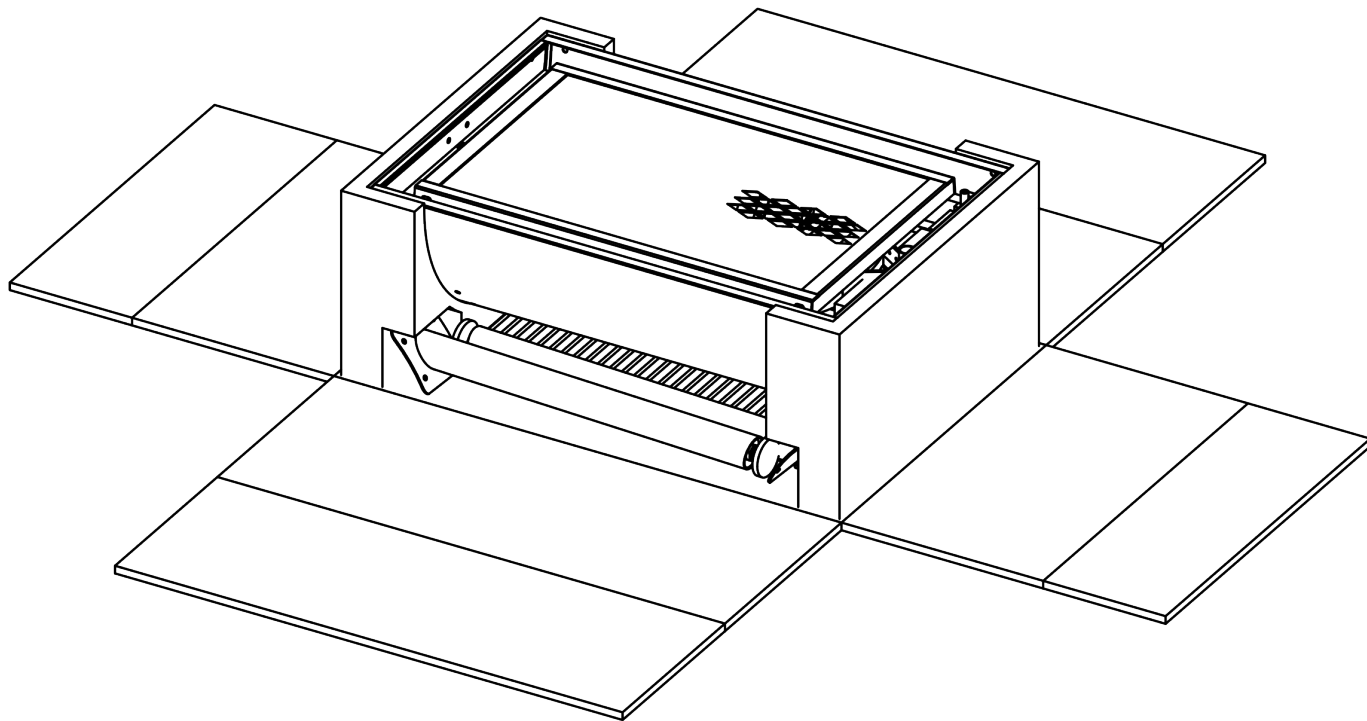


ASSEMBLY / ASSEMBLAGE / ASAMBLEA

1



- Assemble your grill on a level, protective surface to prevent damage to the unit. The outer carton is ideal for this purpose. Place the carton top side up. Cut all 4 corners with a utility knife and allow the carton panels to lay flat, as shown.
- Assemble votre gril sur un niveau, une surface protectrice pour éviter d'endommager l'appareil. L'emballage extérieur est idéal pour cela. Placer le haut du carton à l'endroit. Couper les 4 coins avec un couteau et laisser les panneaux de carton à plat, comme illustré.
- Ensamble la parrilla en una superficie nivelada y protectora para evitar daños a la unidad. El cartón exterior es ideal para este propósito. Coloque el cartón con la parte superior hacia arriba. Corte las 4 esquinas con un cuchillo y deje que los paneles de cartón queden planos, como se muestra.



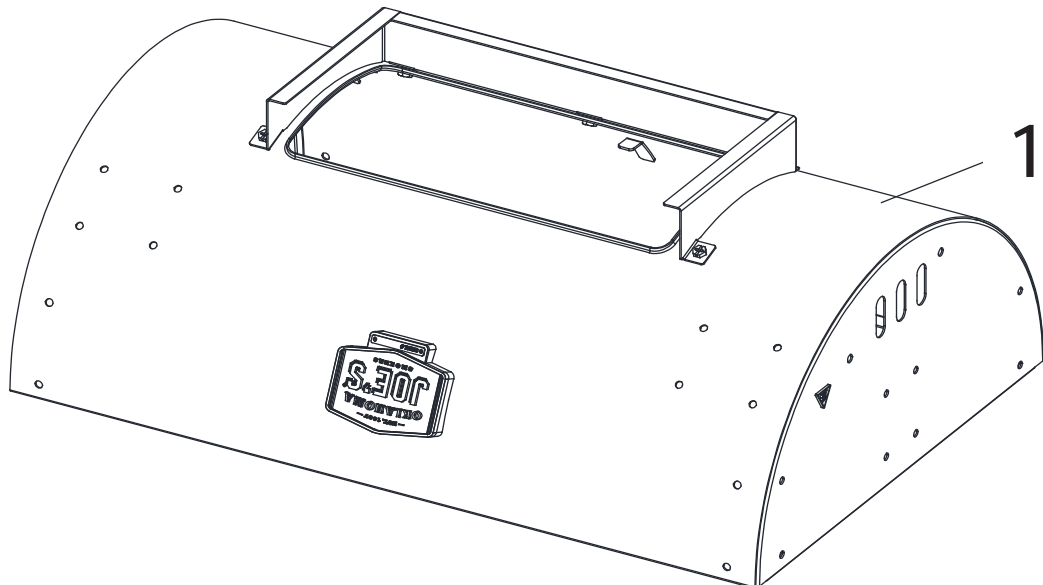
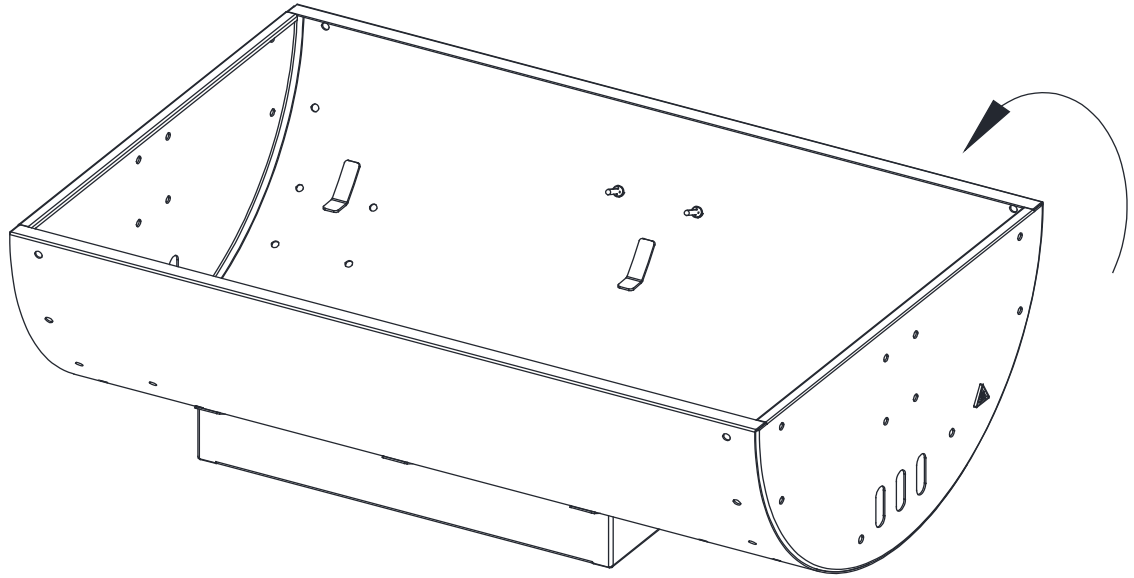
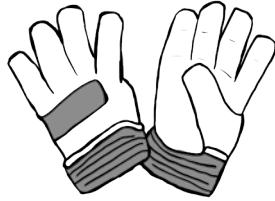
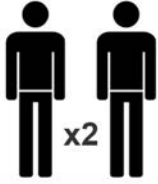
NOTE: Some grill parts shown in the assembly steps may differ slightly in appearance from those on your particular grill model. However, the method of assembly remains the same.

REMARQUE : Certaines pièces du gril illustrées dans les étapes d'assemblage peuvent différer légèrement de celles de votre modèle de gril particulier. Cependant, la méthode d'assemblage reste la même.

NOTA: Algunas piezas de la parrilla que se muestran en los pasos de ensamblaje pueden diferir ligeramente en apariencia de las de su modelo de parrilla en particular. Sin embargo, el método de montaje sigue siendo el mismo.

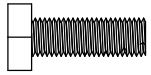
ASSEMBLY / ASSEMBLAGE / ASAMBLEA

2



ASSEMBLY / ASSEMBLAGE / ASAMBLEA

3



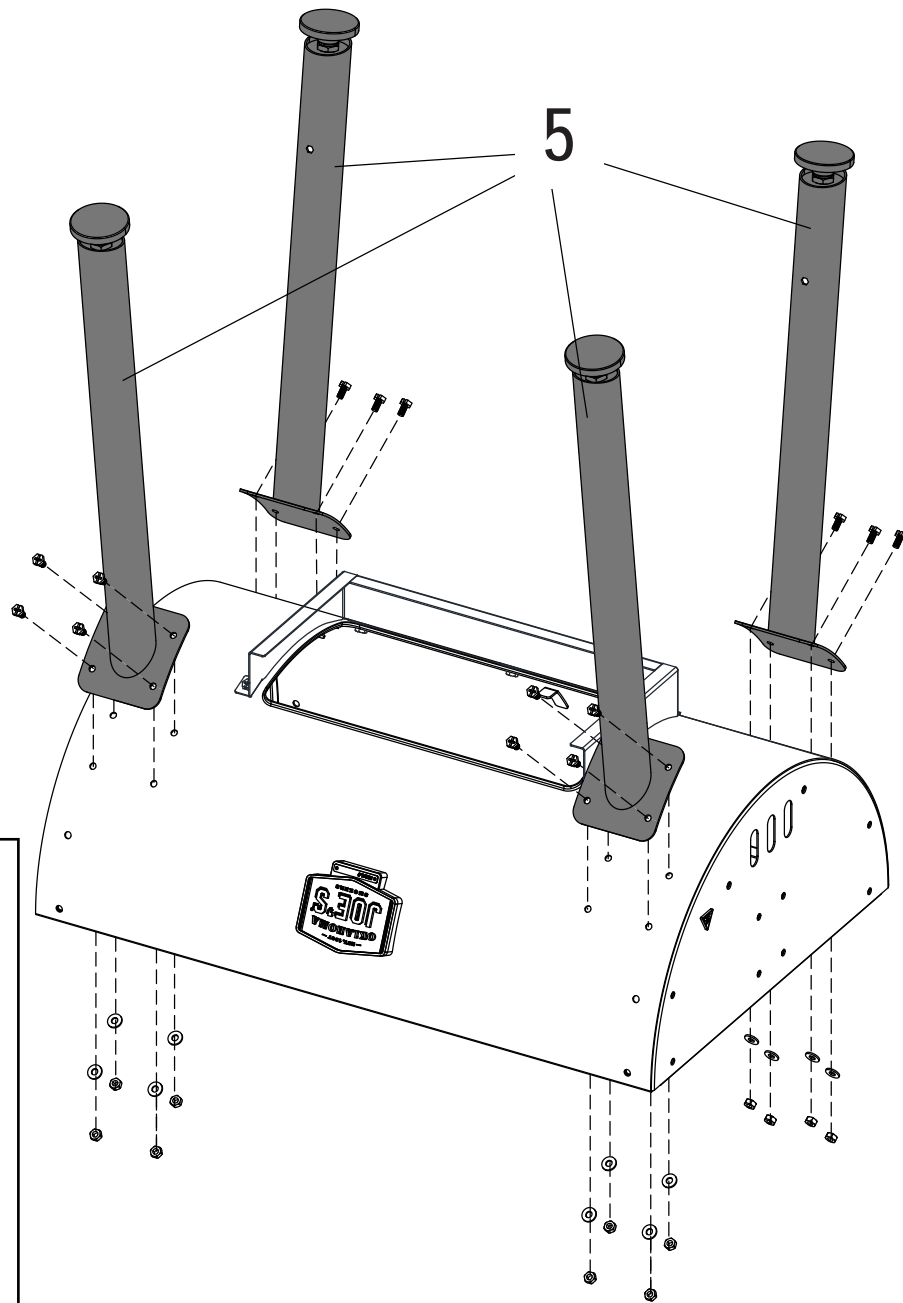
Bx16



Dx16



Ex16



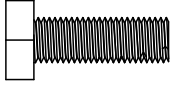
NOTE: Do not tighten fasteners during the leg assembly until the bottom shelf is installed in Step 4

REMARQUE : Ne serrez pas les fixations pendant l'assemblage des pieds tant que la tablette inférieure n'est pas installée à l'étape 4

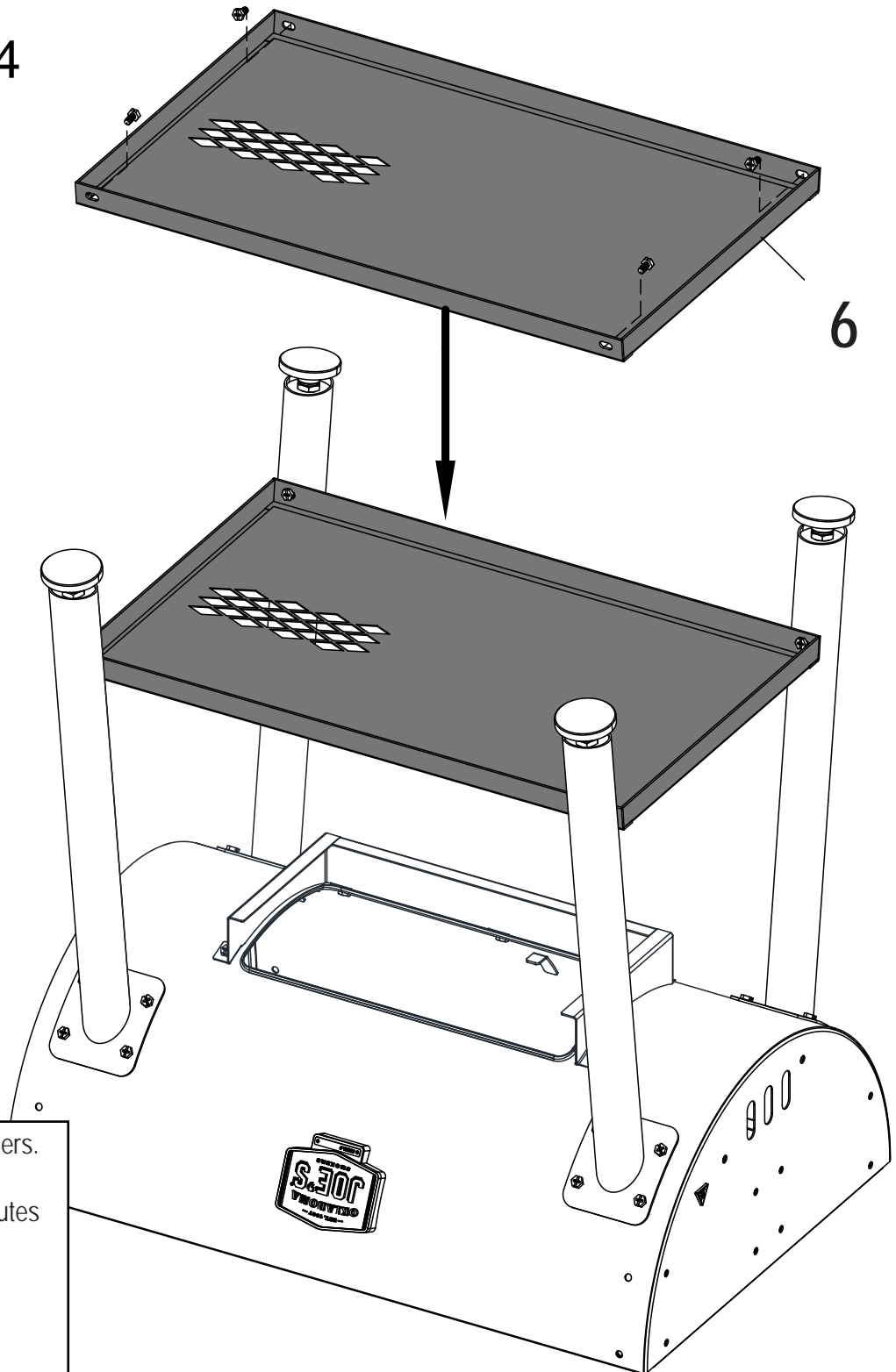
NOTA: No apriete los sujetadores durante el ensamblaje de las patas hasta que el estante inferior esté instalado en el Paso 4

ASSEMBLY / ASSEMBLAGE / ASAMBLEA

4



Bx4



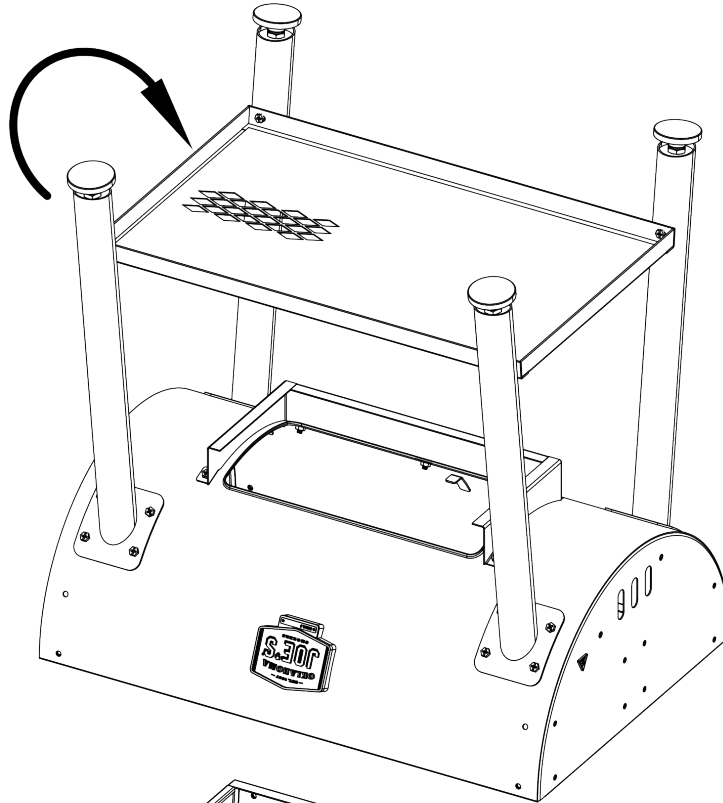
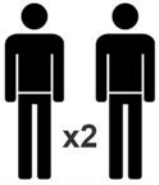
NOTE: Tighten all fasteners.

REMARQUE : Serrez toutes les fixations.

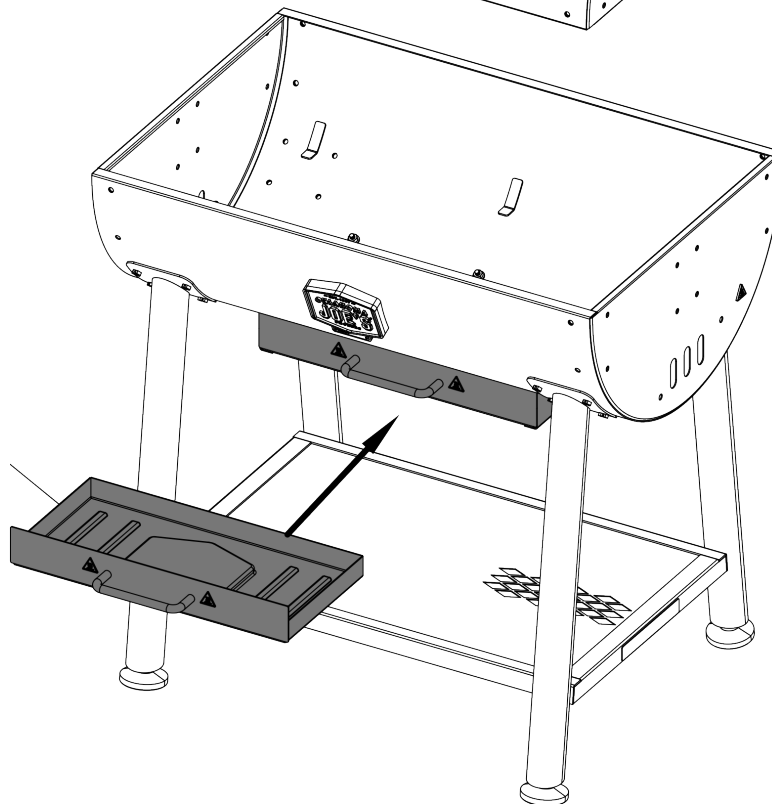
NOTA: Apriete todos los sujetadores.

ASSEMBLY / ASSEMBLAGE / ASAMBLEA

5

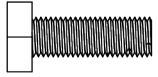


4

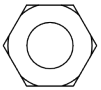


ASSEMBLY / ASSEMBLAGE / ASAMBLEA

6



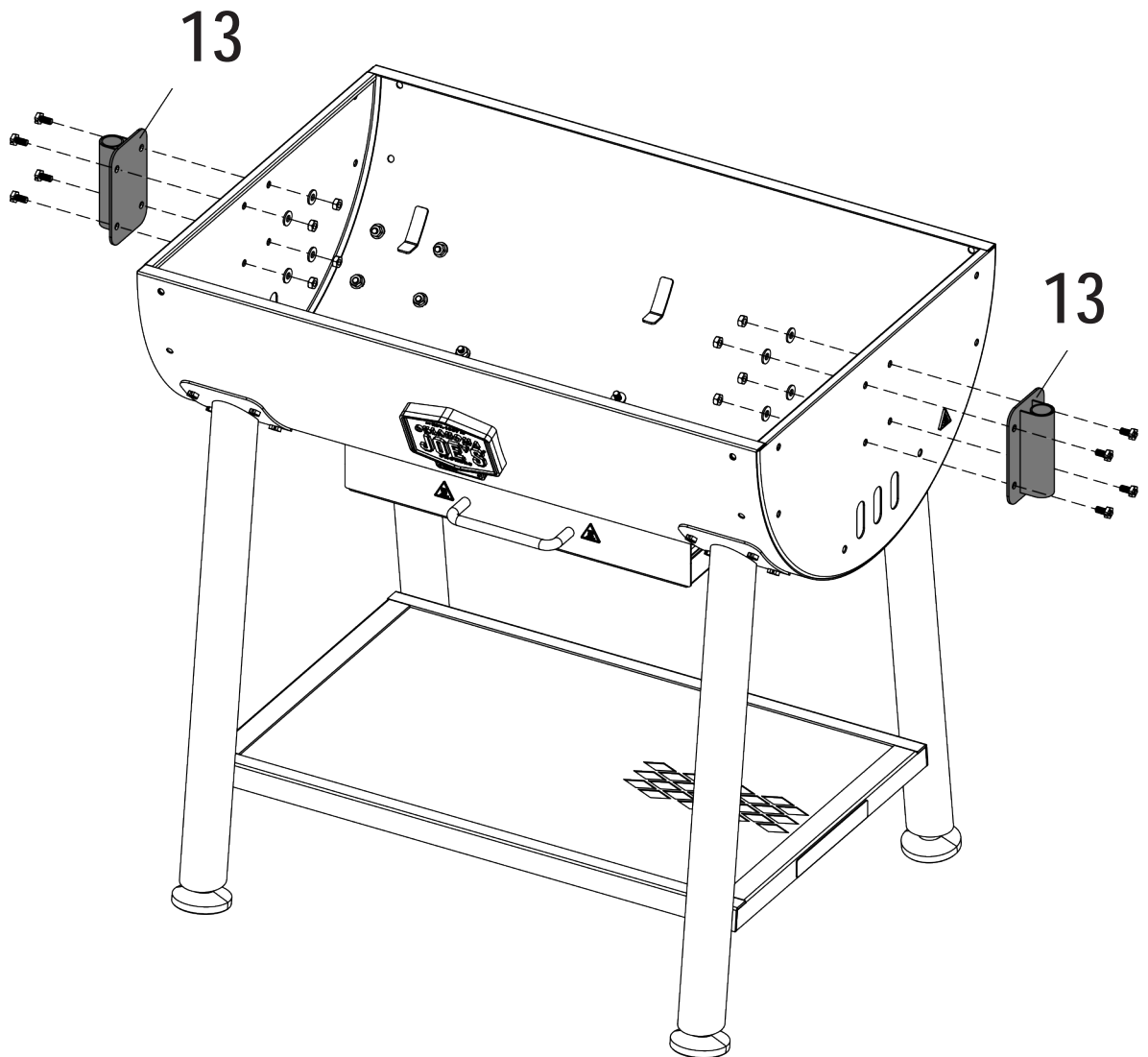
B×8



D×8



E×8

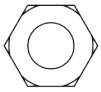


ASSEMBLY / ASSEMBLAGE / ASAMBLEA

7



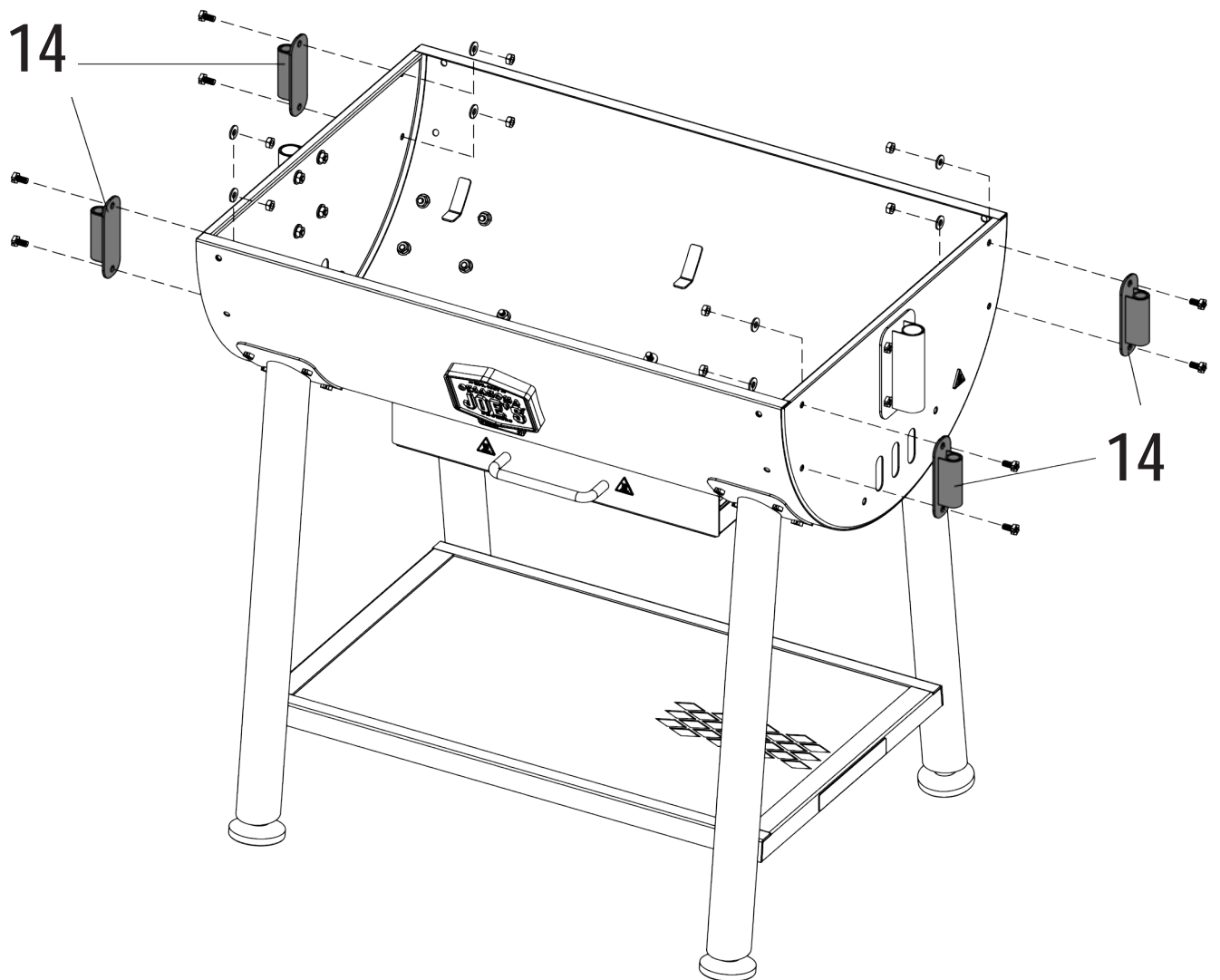
B×8



D×8

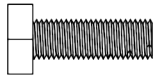


E×8

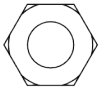


ASSEMBLY / ASSEMBLAGE / ASAMBLEA

8



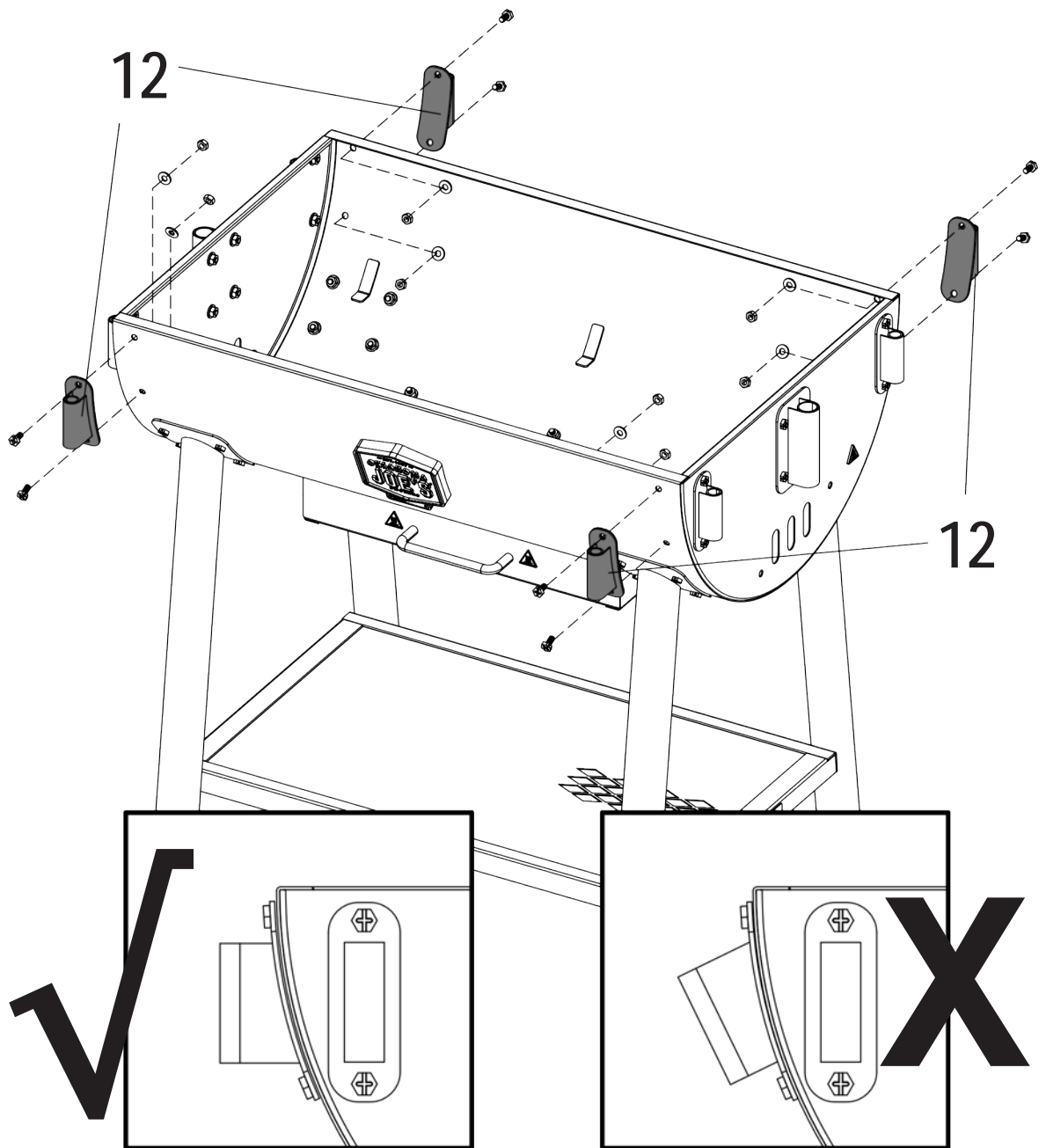
B×8



D×8

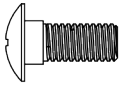


E×8



ASSEMBLY / ASSEMBLAGE / ASAMBLEA

9



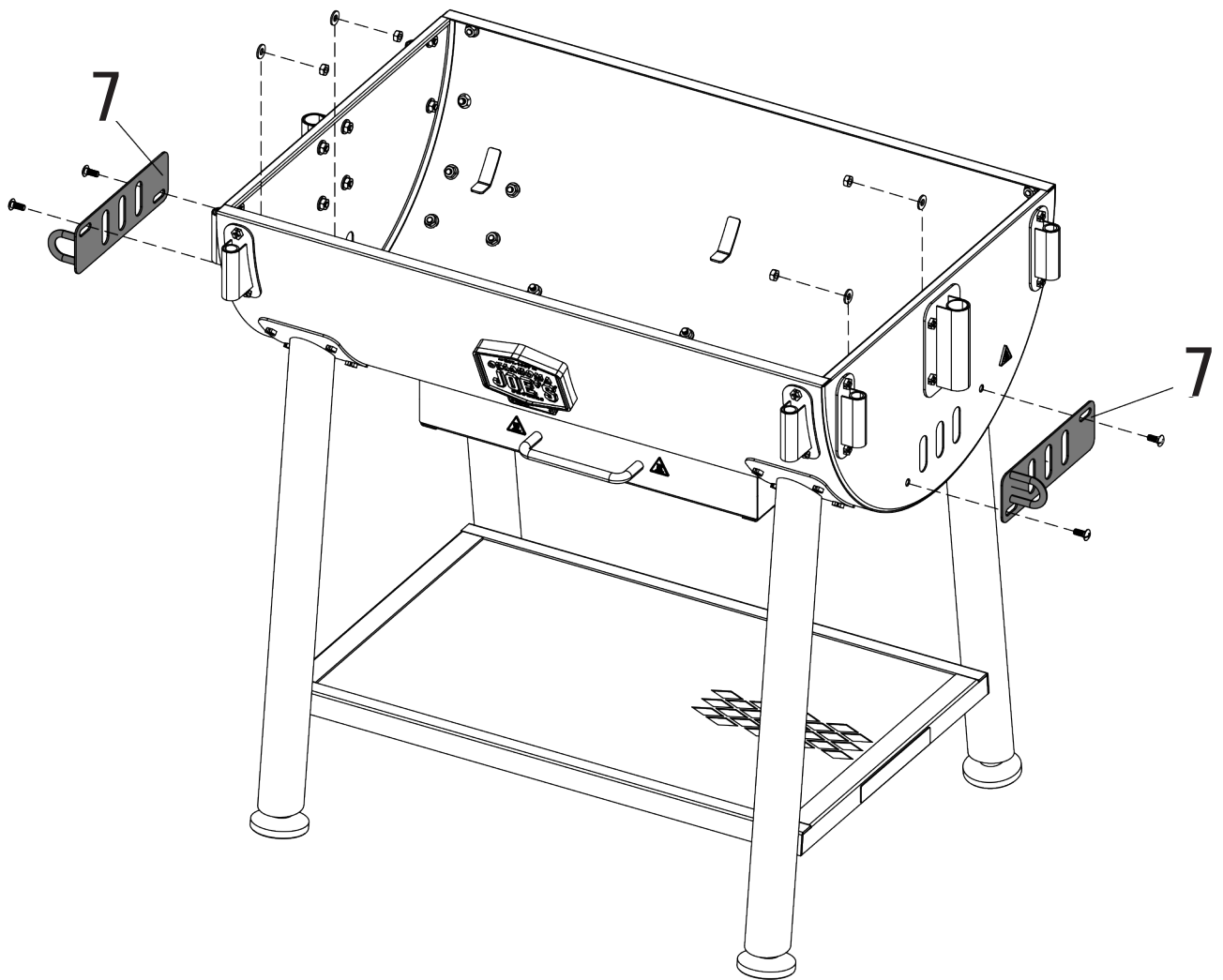
C×4



D×4

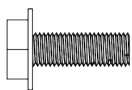


E×4

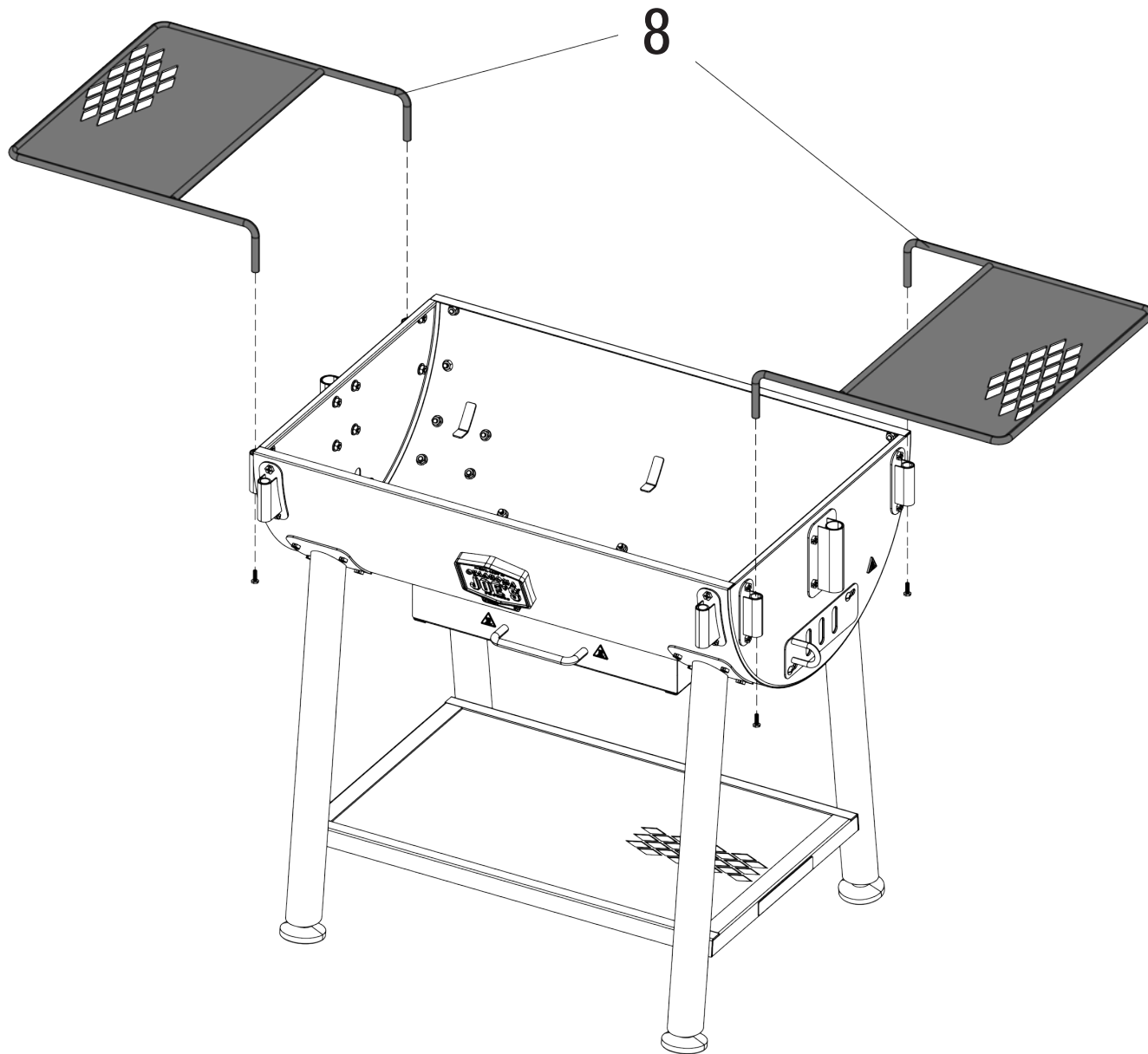


ASSEMBLY / ASSEMBLAGE / ASAMBLEA

10

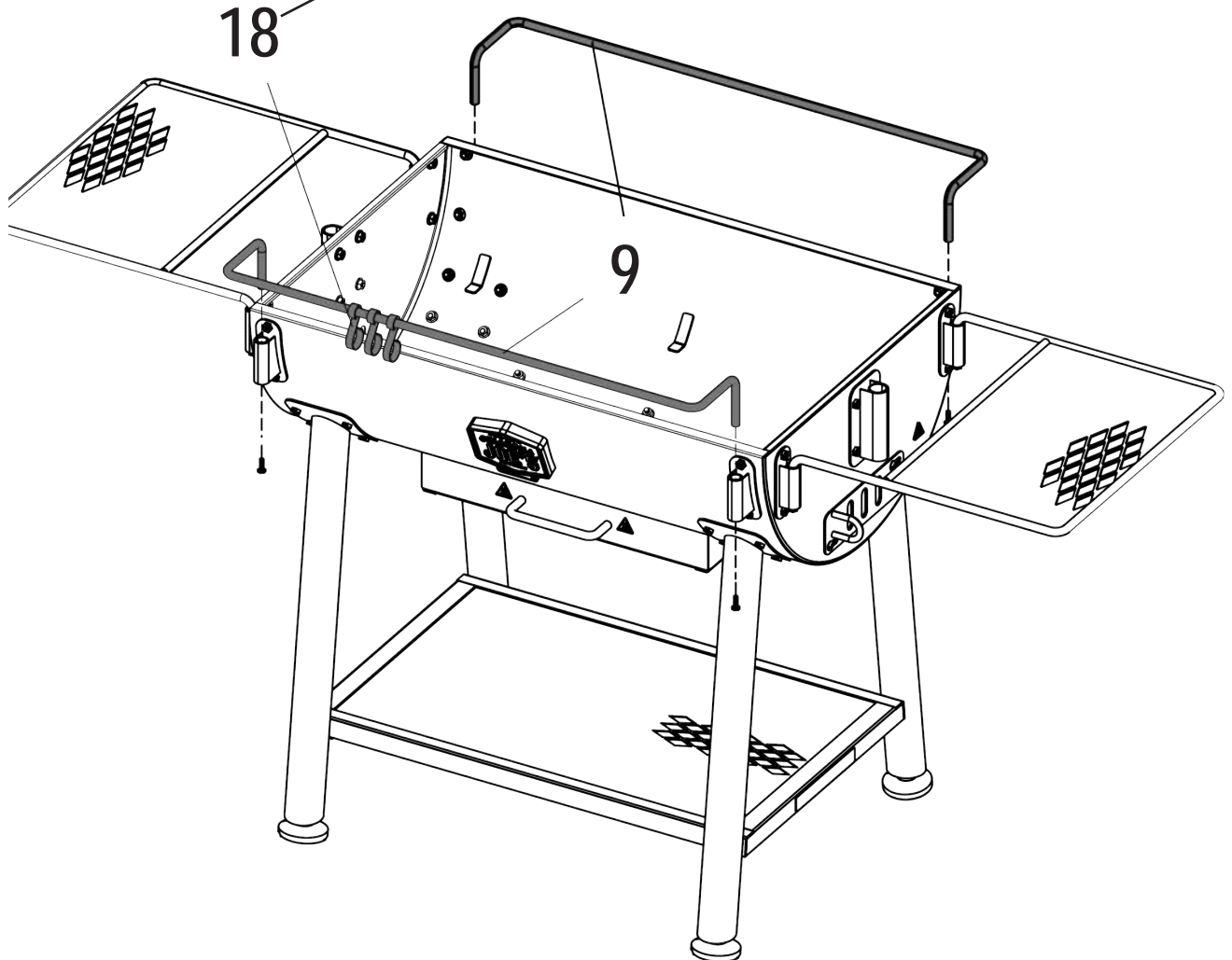
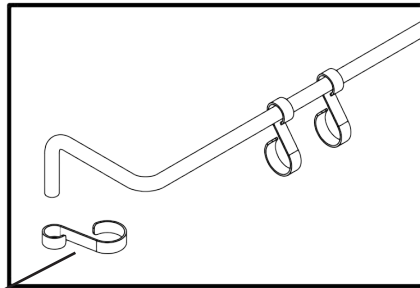
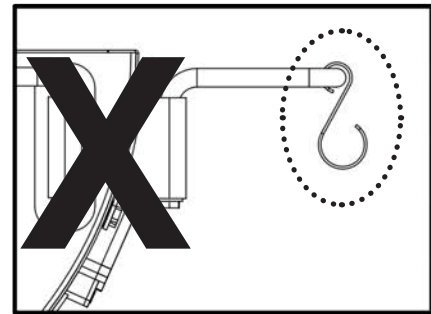
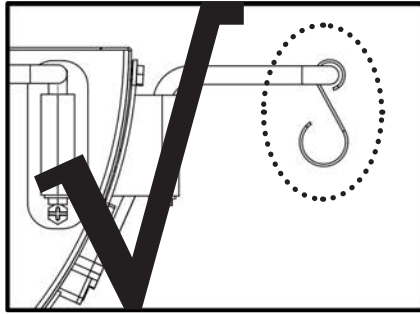


A×4



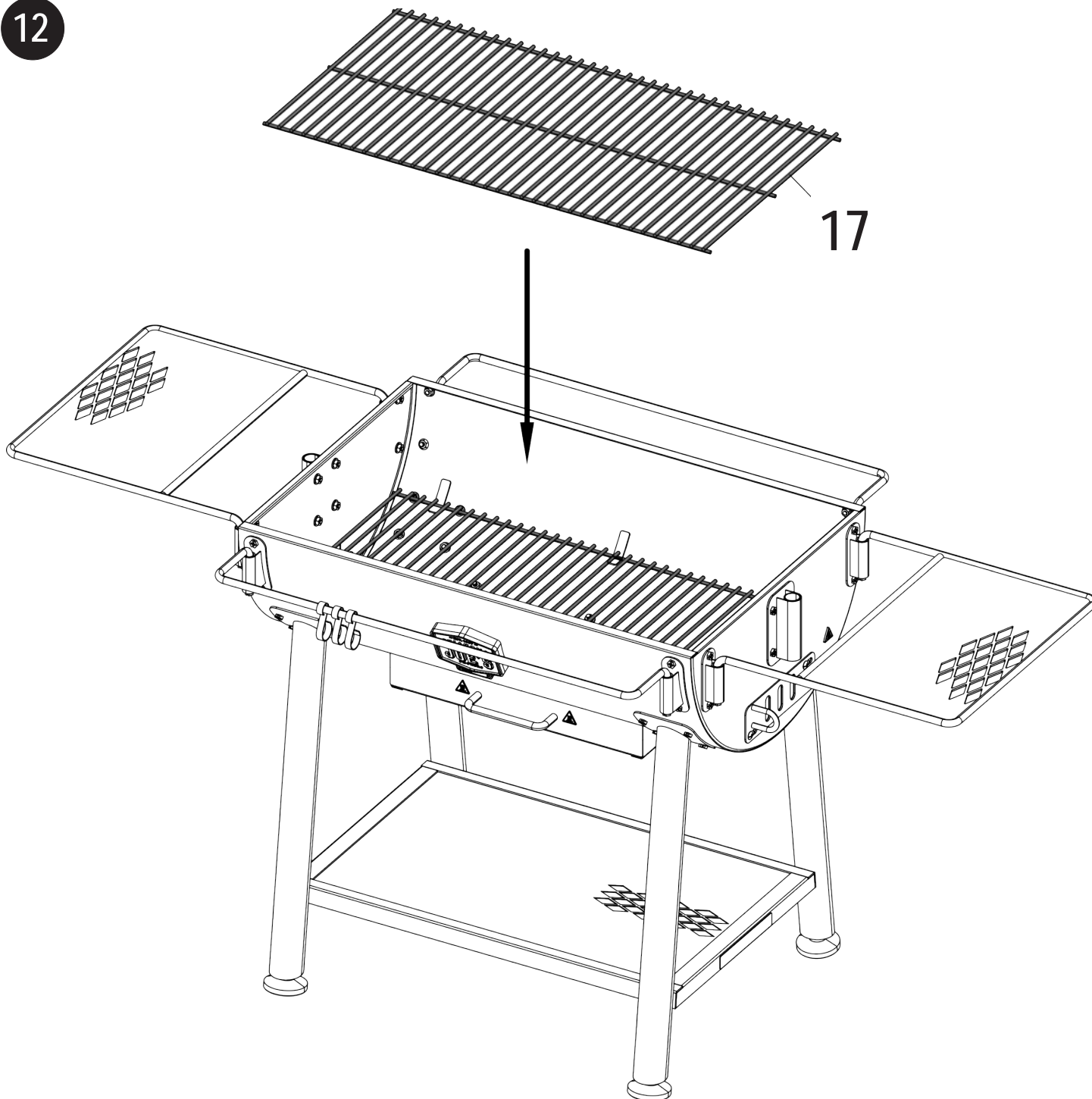
ASSEMBLY / ASSEMBLAGE / ASAMBLEA

11



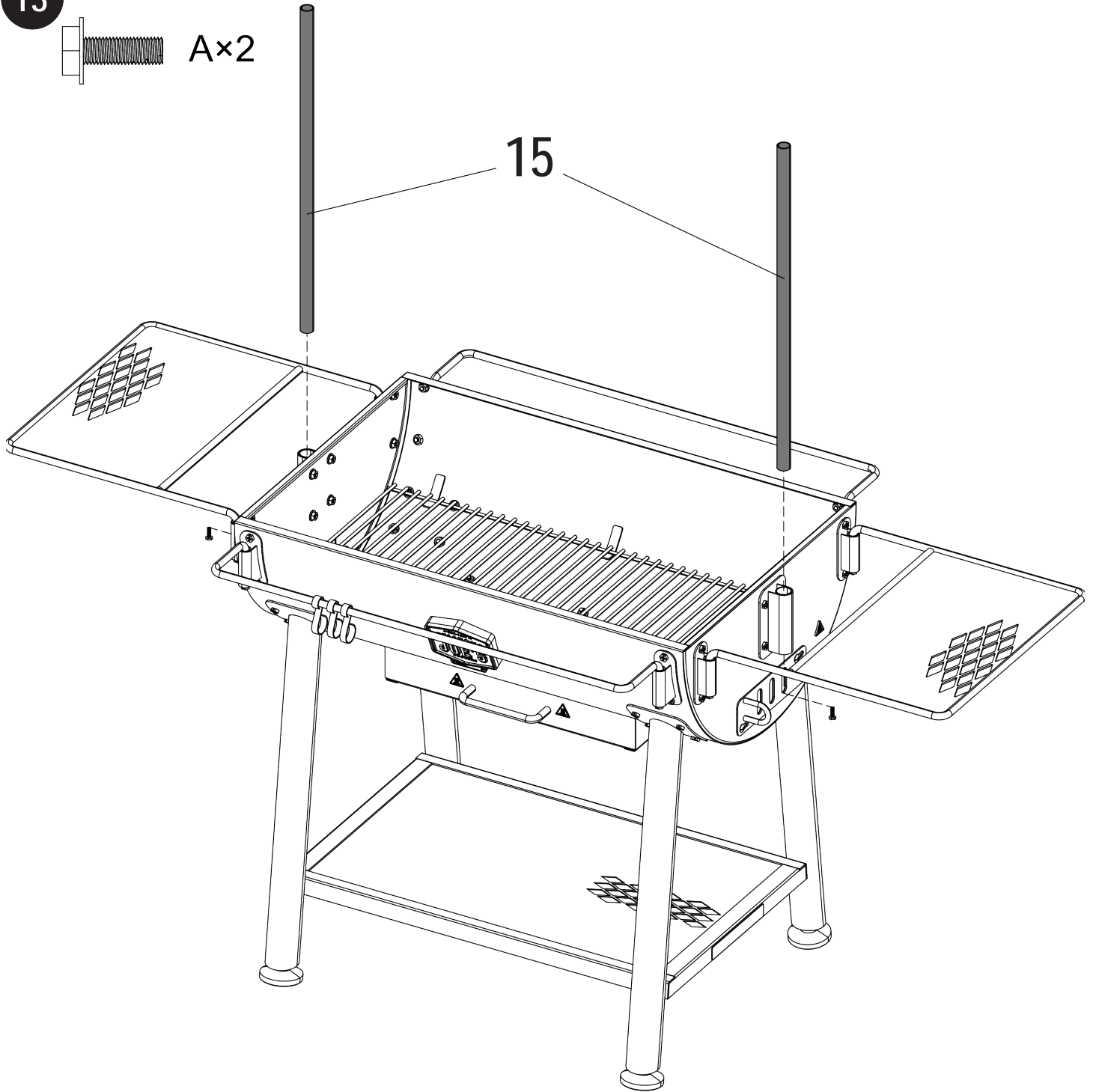
ASSEMBLY / ASSEMBLAGE / ASAMBLEA

12



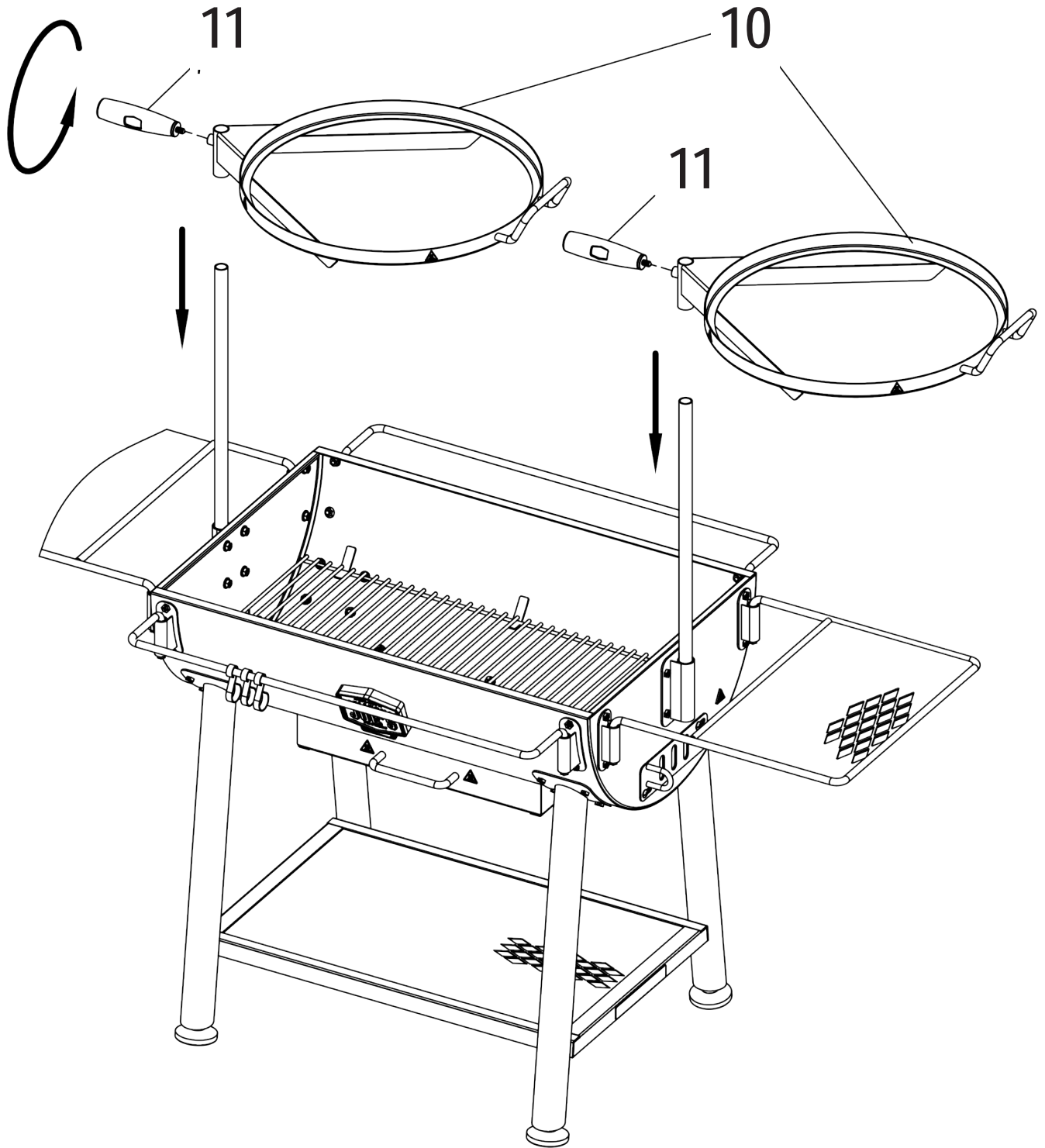
ASSEMBLY / ASSEMBLAGE / ASAMBLEA

13



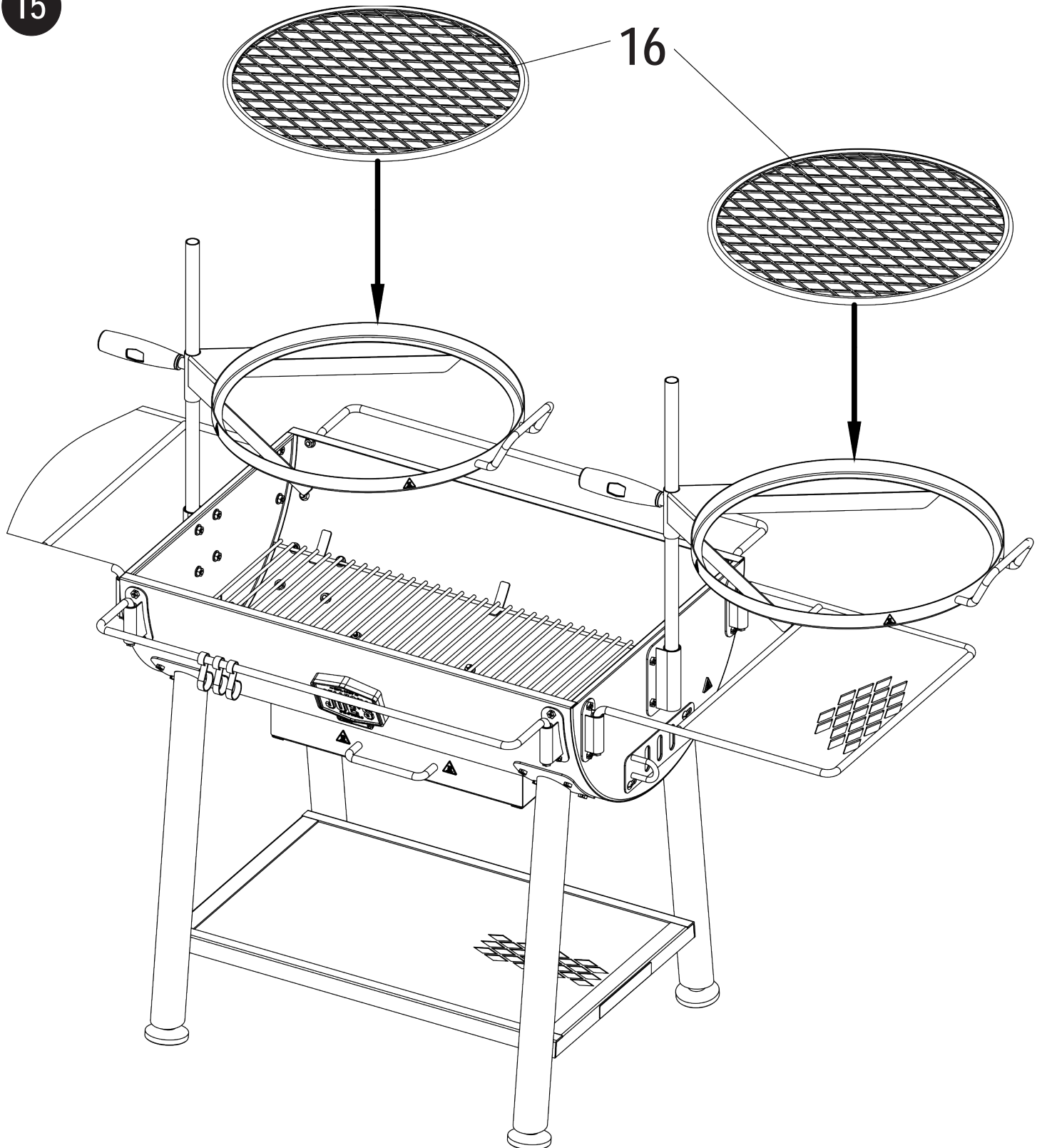
ASSEMBLY / ASSEMBLAGE / ASAMBLEA

14

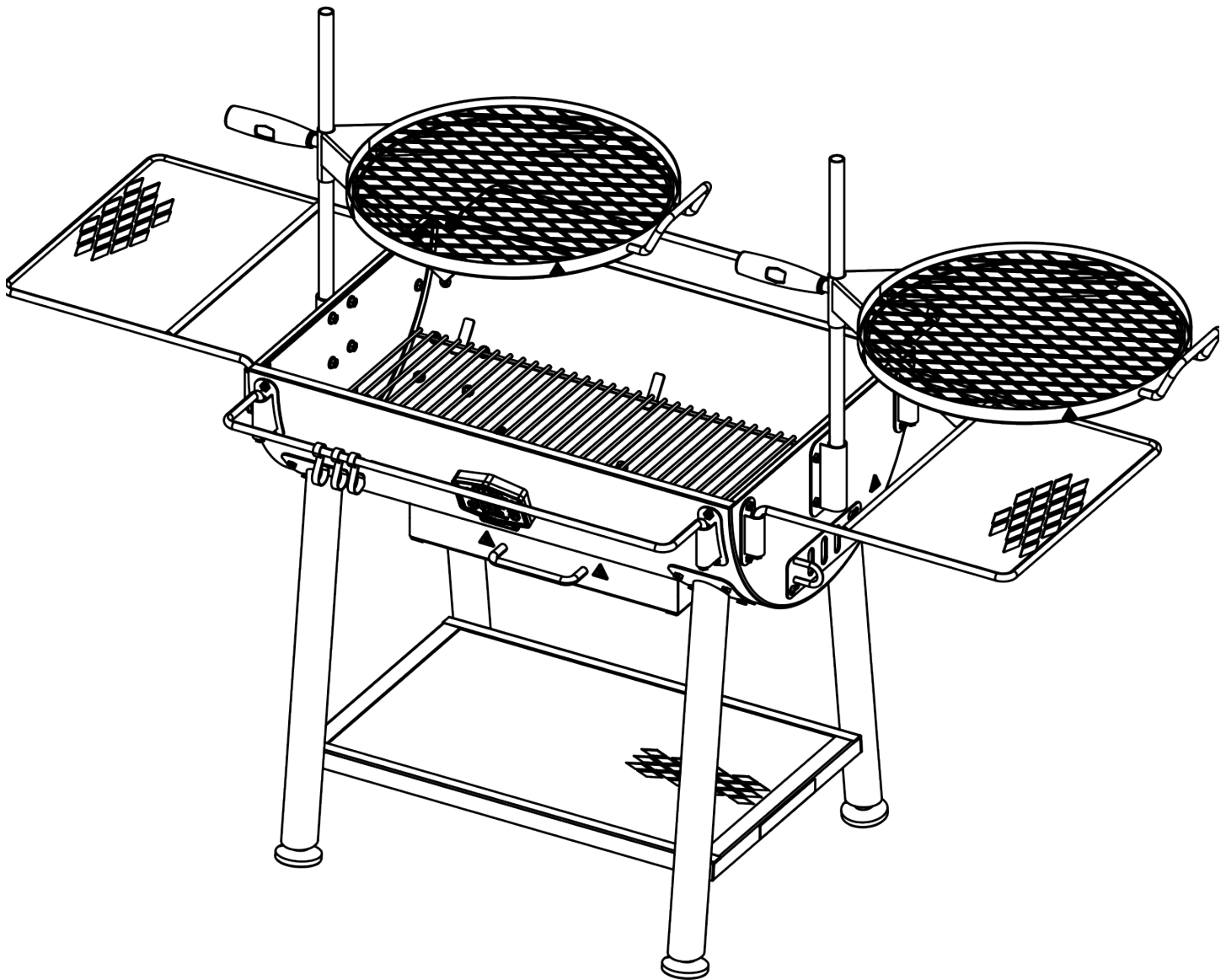


ASSEMBLY / ASSEMBLAGE / ASAMBLEA

15



ASSEMBLY / ASSEMBLAGE / ASAMBLEA



Warning

- Ash pan must be fully installed during operation.
- Failure to properly install could result in hot embers falling from the product.
- Let embers cool completely before removing and cleaning the ash pan.

Avertissement

- Le cendrier doit être entièrement installé pendant le fonctionnement.
- Une installation incorrecte peut entraîner la chute de braises chaudes du produit.
- Laissez les braises refroidir complètement avant de retirer et de nettoyer le cendrier

Advertencia

- El cenicero debe estar completamente instalado durante el funcionamiento.
- Si no se instala correctamente, podrían caer brasas calientes del producto.
- Deje que las brasas se enfríen por completo antes de retirar y limpiar el cenicero..

LIMITED WARRANTY

This warranty only applies to units purchased from an authorized retailer. Manufacturer warrants to the original consumer-purchaser only that this product shall be free from defects in workmanship and materials after correct assembly and under normal and reasonable home use for the periods indicated below beginning on the date of purchase*. The manufacturer reserves the right to require that defective parts be returned, postage and or freight pre-paid by the consumer for review and examination.

<u>SCOPE OF COVERAGE</u>	<u>PERIOD OF COVERAGE</u>	<u>TYPE OF FAILURE COVERAGE</u>
ALL PARTS	1 YEAR	PERFORATION, MANUFACTURING, AND MATERIAL DEFECTS ONLY

*Note: A dated sales receipt WILL be required for warranty service.

The original consumer-purchaser will be responsible for all shipping charges for parts replaced under the terms of this limited warranty.

This limited warranty is applicable in the United States and Canada only, is only available to the original owner of the product and is not transferable. **Manufacturer requires proof of your date of purchase. Therefore, you should retain your sales slip or invoice.** Registering your product is not a substitute for proof of purchase and the manufacturer is not responsible for or required to retain proof of purchase records. This limited warranty applies to the functionality of the product ONLY and does not cover cosmetic issues such as scratches, dents, corrosions or discoloring by heat, abrasive and chemical cleaners or any tools used in the assembly or installation of the appliance, surface rust, or the discoloration of stainless steel surfaces. Paint is not warranted and will require touch up. RUST is not considered a manufacturing or materials defect.

This limited warranty will not reimburse you for the cost of any inconvenience, food, personal injury or property damage.

ITEMS MANUFACTURER WILL NOT PAY FOR:

1. Shipping cost, standard or expedited, for warranty and replacement parts.
2. Service calls to your home.
3. Repairs when your product is used for other than normal, single-family household or residential use.
4. **Damage, failures, or operating difficulties resulting from accident, alteration, careless handling, misuse, abuse, fire, flood, acts of God, improper installation or maintenance, installation not in accordance with electrical or plumbing codes, or use of products not approved by the manufacturer.**
5. **Any food loss due to product failures or operating difficulties.**
6. Replacement parts or repair labor costs for units operated outside the United States or Canada.
7. Pickup and delivery of your product.
8. Repairs to parts or systems resulting from unauthorized modifications made to the product.
9. The removal and/or reinstallation of your product.

DISCLAIMER OF IMPLIED WARRANTIES and LIMITATION OF REMEDIES

Repair or replacement of defective parts is your exclusive remedy under the terms of this limited warranty. In the event of parts availability issues, the manufacturer reserves the right to substitute like or similar parts that are equally functional. Manufacturer will not be responsible for any consequential or incidental damages arising from the breach of either this limited warranty or any applicable implied warranty, or for failure or damage resulting from acts of God, improper care and maintenance, grease fire, accident, alteration, replacement of parts by anyone other than Manufacturer, misuse, transportation, commercial use, abuse, hostile environments (inclement weather, acts of nature, animal tampering), improper installation or installation not in accordance with local codes or printed manufacturer instructions.

THIS LIMITED WARRANTY IS THE SOLE EXPRESS WARRANTY GIVEN BY THE MANUFACTURER. NO PRODUCT PERFORMANCE SPECIFICATION OR DESCRIPTION WHEREVER APPEARING IS WARRANTED BY MANUFACTURER EXCEPT TO THE EXTENT SET FORTH IN THIS LIMITED WARRANTY. ANY IMPLIED WARRANTY PROTECTION ARISING UNDER THE LAWS OF ANY STATE, INCLUDING IMPLIED WARRANTY OF MERCHANTABILITY OR FITNESS FOR A PARTICULAR PURPOSE OR USE, IS HEREBY LIMITED IN DURATION TO THE DURATION OF THIS LIMITED WARRANTY.

Neither dealers nor the retail establishment selling this product has any authority to make any additional warranties or to promise remedies in addition to or inconsistent with those stated above. Manufacturer's maximum liability, in any event, shall not exceed the purchase price of the product paid by the original consumer. NOTE: Some states do not allow an exclusion or limitation of incidental or consequential damages, so some of the above limitations or exclusions may not apply to you. This limited warranty gives you specific legal rights as set forth herein. You may also have other rights which vary from state to state. In the state of California only, if refinishing or replacement of the product is not commercially practicable, the retailer selling this product or the Manufacturer will refund the purchase price paid for the product, less the amount directly attributable to use by the original consumer-purchaser prior to discovery of the nonconformity. In addition, in the state of California only, you may take the product to the retail establishment selling this product in order to obtain performance under this limited warranty. If you wish to obtain performance of any obligation under this limited warranty, you should write to:

Consumer Relations
P. O. Box 1240
Columbus, GA 31902-1240

Consumer returns will not be accepted unless a valid Return Authorization is first acquired. Authorized returns are clearly marked on the outside of the package with an RA number and the package is shipped freight/postage pre-paid. Consumer returns that do not meet these standards will be refused.



GARANTIE LIMITÉE

Cette garantie ne s'applique qu'aux appareils achetés auprès d'un détaillant autorisé. Le fabricant garantit au premier consommateur acheteur que ce produit sera exempt de défauts de fabrication et de matériel après un bon assemblage et avec une utilisation résidentielle normale et raisonnable pendant les périodes indiquées ci-dessous, à compter de la date de l'achat*. Le fabricant se réserve le droit d'exiger le retour des pièces défectueuses, port ou fret prépayé par le consommateur, à des fins d'examen.

ÉTENDUE DE LA COUVERTURE	PÉRIODE DE LA COUVERTURE	COUVERTURE EN FONCTION DU TYPE DE DÉFAILLANCE
TOUTES LES PARTIES	2 ANS	DÉFAUTS DE PERFORATION, DE FABRICANT ET DE MATÉRIEL SEULEMENT

*Remarque : Un reçu de vente portant la date SERA requis pour un service au titre de la garantie.

Le premier consommateur acheteur sera responsable de la totalité des frais d'expédition pour les pièces remplacées en vertu de la présente garantie limitée.

La présente garantie limitée s'applique uniquement aux États-Unis et au Canada, elle n'est offerte qu'au premier propriétaire du produit et elle ne peut pas être transférée. Le fabricant exige une preuve de la date de l'achat. Par conséquent, conservez votre reçu de vente ou votre facture. L'enregistrement du produit ne remplace pas la preuve d'achat. Le fabricant n'est pas tenu de conserver des dossiers des preuves d'achat, et il n'a aucune responsabilité à cet égard. La présente garantie limitée s'applique UNIQUEMENT à la fonctionnalité du produit; elle ne couvre pas les problèmes cosmétiques comme les éraflures, les bosses, la corrosion ou la décoloration causée par la chaleur, des produits de nettoyage abrasifs et chimiques ou les outils utilisés lors de l'assemblage ou de l'installation de l'appareil, la rouille en surface ou la décoloration des surfaces en acier inoxydable. La peinture n'est pas garantie et des retouches seront nécessaires. La ROUILLE n'est pas considérée comme étant un défaut de fabrication ou de matériel.

La présente garantie limitée ne vous remboursera pas les coûts liés à des désagréments, des aliments, des blessures ou des dommages matériels.

CE QUE LE FABRICANT NE PAIE PAS :

1. Frais de transport, standard ou accéléré, pour les pièces de rechange et celles couvertes par la garantie.
2. Les appels de service à votre domicile.
3. Les réparations lorsque votre produit n'a pas une utilisation normale, résidentielle ou pour une seule famille.
4. Les dommages, les défaillances ou les troubles de fonctionnement découlant d'un accident, de modifications, d'une manutention négligente, de mésusage, d'abus, d'un incendie, d'une inondation, de catastrophes naturelles, d'une installation ou d'un entretien incorrects, d'une installation non conforme aux codes de l'électricité ou de la plomberie, ou de l'utilisation de produits qui ne sont pas approuvés par le fabricant.
5. Toute perte d'aliments attribuable à des défaillances du produit ou à des troubles de fonctionnement.
6. Les pièces de rechange ou les coûts de main-d'œuvre pour la réparation concernant des appareils utilisés à l'extérieur des États-Unis ou du Canada.
7. La collecte et la livraison de votre produit.
8. Les réparations à des pièces ou des systèmes découlant de modifications faites sans autorisation.
9. L'enlèvement ou la réinstallation de votre produit.

AVIS DE NON-RESPONSABILITÉ CONCERNANT LES GARANTIES IMPLICITES et LIMITATION DES RECOURS

La réparation ou le remplacement des pièces défectueuses est votre unique recours en vertu des conditions de la présente garantie limitée. Dans l'éventualité de problèmes de disponibilité des pièces, le fabricant se réserve le droit de leur substituer des pièces identiques ou semblables qui ont la même fonctionnalité. Le fabricant n'assume aucune responsabilité quant aux dommages consécutifs ou accessoires découlant de la violation de la présente garantie limitée ou de toute garantie implicite applicable, ou pour une défaillance ou des dommages découlant d'une catastrophe naturelle, d'un entretien inapproprié, d'un feu de graisse, d'un accident, d'une modification, du remplacement de pièces par une entité autre que le fabricant, de mésusage, du transport, d'une utilisation commerciale, d'un abus, d'environnements hostiles (mauvais temps, actes de la nature, problèmes causés par les animaux), d'une mauvaise installation ou d'une installation qui n'est pas conforme aux codes locaux ou aux instructions imprimées du fabricant.

LA PRÉSENTE GARANTIE LIMITÉE EST L'UNIQUE GARANTIE EXPLICITE FOURNIE PAR LE FABRICANT. AUCUNE SPÉCIFICATION NI DESCRIPTION DE LA PERFORMANCE DU PRODUIT, OÙ QU'ELLE APPARAISSE, N'EST GARANTIE PAR LE FABRICANT, DANS LA MESURE ÉNONCÉE DANS LA PRÉSENTE GARANTIE LIMITÉE. TOUTE PROTECTION AU TITRE D'UNE GARANTIE IMPLICITE DÉCOULANT DES LOIS D'UN ÉTAT QUELCONQUE, Y COMPRIS UNE GARANTIE IMPLICITE DE QUALITÉ MARCHANDE OU D'ADAPTATION À UN USAGE PARTICULIER, EST LIMITÉE PAR LES PRÉSENTES À LA DURÉE DE LA PRÉSENTE GARANTIE LIMITÉE.

Ni les marchands ni le détaillant qui vend ce produit ne sont autorisés à fournir des garanties supplémentaires ou à promettre quoi que ce soit qui excède ou qui contredit ce qui est énoncé ci-dessus. La responsabilité maximale de fabricant, dans tous les cas, ne peut dépasser le prix d'achat de l'article payé par le premier consommateur. REMARQUE : Certains États ou certaines provinces n'autorisent pas l'exclusion ou la limitation des dommages accessoires ou indirects; il est donc possible que certaines des exclusions ou limitations susmentionnées ne vous concernent pas. La présente garantie limitée vous confère également des droits légaux spécifiques, énoncés dans les présentes. Vous pouvez également avoir d'autres droits qui varient d'un État à l'autre ou d'une province à l'autre. Dans l'État de la Californie seulement, si la retouche ou le remplacement du produit n'est pas commercialement faisable, le détaillant qui a vendu ce produit ou le fabricant remboursera le prix d'achat payé pour le produit, moins le montant directement imputable à l'usage qu'en aura fait le premier consommateur acheteur avant la découverte de la non-conformité. De plus, dans l'État de la Californie seulement, vous pouvez rapporter le produit au détaillant qui vous l'a vendu pour bénéficier de service en vertu de la présente garantie limitée. Si vous souhaitez assurer l'exécution de toute obligation en vertu de la présente garantie limitée, écrivez à :

Consumer Relations
P. O. Box 1240
Columbus, GA 31902-1240

Les retours de la part des consommateurs ne seront pas acceptés sans autorisation de retour valide. Un numéro d'autorisation de retour doit être clairement inscrit à l'extérieur de l'emballage des retours autorisés, et les colis doivent être expédiés port ou fret prépayé. Les retours de la part des consommateurs qui ne satisfont pas ces normes seront refusés.

GARANTÍA LIMITADA

Esta garantía solo se aplica a las unidades compradas en un minorista autorizado. El fabricante únicamente garantiza al comprador-consumidor original que este producto estará libre de defectos materiales y de materiales después de corregir el montaje y bajo uso doméstico normal y razonable durante los periodos indicados a continuación a partir de la fecha de la compra*. El fabricante se reserva el derecho de solicitar que las piezas defectuosas se devuelvan, con gastos de envío y/o el flete prepagados por el consumidor para su revisión y examen.

ALCANCE DE LA COBERTURA	PERIODO DE COBERTURA	COBERTURA POR TIPO DE FALLA
TODAS LAS PARTES	1 AÑO	SOLO DEFECTOS DE PERFORACIÓN, MANUFACTURA Y DEFECTOS MATERIALES

*Nota: SE requerirá un recibo de venta con la fecha para el mantenimiento de garantía.

El consumidor-comprador original será responsable de todos los gastos de envío de las piezas reemplazadas bajo los términos de esta garantía limitada.

Esta garantía limitada es aplicable solo en los Estados Unidos y Canadá, solo está disponible para el propietario original del producto y no es transferible. El fabricante requerirá una prueba de la fecha de compra. Por lo tanto, debe guardar su recibo o factura de venta. El registro de su producto no es un sustituto de la prueba de compra y el fabricante no es responsable ni está obligado a conservar los comprobantes de los registros de compra. Esta garantía limitada se aplica SOLAMENTE a la funcionalidad del producto y no cubre problemas cosméticos como rasguños, abolladuras, corrosión o decoloración por calor, productos químicos de limpieza abrasivos o cualquier herramienta utilizada en el montaje o instalación del aparato, óxido de superficie o la decoloración de las superficies de acero inoxidable. La pintura no está cubierta por la garantía y requerirá de retoques. El ÓXIDO no es considerado un defecto de fabricación o de materiales.

Esta garantía limitada no le reembolsará el costo por cualquier inconveniente, alimento, lesión personal o daño a la propiedad.

ELEMENTOS QUE EL FABRICANTE NO PAGARÁ:

1. Costo de envío, estándar o inmediato, para piezas bajo garantía o de repuesto.
2. Llamadas de mantenimiento a su hogar.
3. Reparaciones cuando su producto sea usado para usos distintos de los usos domésticos o residenciales normales.
4. Daños, fallas o dificultades operativas resultantes de un accidente, alteración, manejo descuidado, uso indebido, abuso, incendio, inundación, actos de Dios, instalación o mantenimiento inadecuado, instalación que no esté de acuerdo con los códigos eléctricos o de plomería, o uso de productos no aprobados por el fabricante.
5. Cualquier pérdida de alimentos debido a fallas del producto o dificultades operativas.
6. Costos por piezas de repuesto o mano de obra de reparación para unidades operadas fuera de los Estados Unidos o Canadá.
7. Recojo y entrega de su producto.
8. Reparaciones de piezas o sistemas como resultado de modificaciones no autorizadas realizadas al producto.
9. El retiro y/o la reinstalación de su producto.

EXENCIÓN DE RESPONSABILIDAD DE GARANTÍAS IMPLÍCITAS Y LIMITACIÓN DE RECURSOS

La reparación o el reemplazo de piezas defectuosas es su recurso exclusivo bajo los términos de esta garantía limitada. En caso de problemas de disponibilidad de piezas, el fabricante se reserva el derecho de sustituirlas con piezas equivalentes o similares que sean igualmente funcionales. El fabricante no será responsable de ningún daño consecuente o incidental derivado del incumplimiento de esta garantía limitada o de cualquier garantía implícita aplicable, o por falla o daño resultante de actos de Dios, cuidado y mantenimiento incorrectos, incendio producido por grasa, accidente, alteración, reemplazo de piezas por cualquier persona que no sea el fabricante, mal uso, transporte, uso comercial, abuso, ambientes hostiles (clima inclemente, actos de la naturaleza, manipulación de animales), instalación incorrecta o instalación que no esté de acuerdo con los códigos locales o las instrucciones impresas del fabricante.

ESTA GARANTÍA LIMITADA ES LA ÚNICA GARANTÍA EXPRESA PROPORCIONADA POR EL FABRICANTE. NINGÚN DESEMPEÑO ESPECIFICACIÓN O DESCRIPCIÓN DEL PRODUCTO DONDE APAREZCA ES GARANTIZADO POR EL FABRICANTE, EXCEPTO EN LA MEDIDA ESTABLECIDA EN ESTA GARANTÍA LIMITADA. CUALQUIER PROTECCIÓN DE GARANTÍA IMPLÍCITA DERIVADA DE LAS LEYES DE CUALQUIER ESTADO, INCLUYENDO LA GARANTÍA IMPLÍCITA DE COMERCIABILIDAD O IDONEIDAD PARA UN PROPÓSITO O USO PARTICULAR, SE LIMITA POR LA PRESENTE A LA DURACIÓN DE ESTA GARANTÍA LIMITADA.

Ni los distribuidores ni el establecimiento minorista que venden este producto tienen autoridad alguna para otorgar garantías adicionales o para prometer soluciones adicionales o inconsistentes con las indicadas anteriormente. La responsabilidad máxima del fabricante, en cualquier caso, no excederá el precio de compra del producto pagado por el consumidor original. NOTA: Algunos estados no permiten una exclusión o limitación de daños incidentales o consecuentes, por lo que algunas de las limitaciones o exclusiones anteriores pueden no aplicarse a usted. Esta garantía limitada le otorga derechos legales específicos como se establece en este documento. También podría tener otros derechos que varían de un estado a otro. Solamente en el estado de California, si el reacondicionamiento o el reemplazo del producto no es comercialmente factible, el minorista que venda este producto o el fabricante reembolsará el precio de compra pagado por el producto, menos el monto directamente atribuible al uso por parte del consumidor comprador original antes del descubrimiento de la no conformidad. Además, solo en el estado de California, puede llevar el producto al establecimiento minorista que vende este producto para obtener el cumplimiento de esta garantía limitada. Si desea obtener el cumplimiento de cualquier obligación bajo esta garantía limitada, debe escribir a:

Relaciones del consumidor
P. O. Box 1240
Columbus, GA 31902-1240

Las devoluciones de los consumidores no serán aceptadas a menos que se obtenga primero una autorización de devolución válida. Las devoluciones autorizadas están claramente marcadas en el exterior del paquete con un número de RA y el paquete se envía con flete/franqueo prepago. Las devoluciones del consumidor que no cumplan con estos estándares serán rechazadas.

PRODUCT REGISTRATION / REGISTRACIÓN DEL PRODUCTO / ENREGISTREMENT DU PRODUIT

Two convenient ways to register your product:

Deux manières pratiques d'enregistrer votre produit:

Dos maneras convenientes de registrar su producto:

1 Online

En ligne

En línea

@ <https://www.oklahomajoes.com/product-registration/>

2 By Mail | Par la poste | Por correo

Please fill out this card and attached a copy of your sales receipt. Return it within 10 days of purchase for warranty service. Proof of purchase will be required. The warranty is not transferable.

Veillez remplir cette carte et joindre une copie de votre reçu de vente. Renvoyez-le dans les 10 jours de l'achat pour le service de garantie. Une preuve d'achat sera nécessaire. La garantie n'est pas transférable.

Por favor llene esta tarjeta y adjunte una copia de su recibo de compra. Devuelva en el plazo de 10 días de la compra para el servicio de la garantía. Se requerirá prueba de compra. La garantía no es transferible.

*Required | Obligatoire | Necesario

**Please Print | Veuillez imprimer | Por favor imprima

*1. First Name Prénom Nombre	Initial Initiale Inicial	Last Name Nom de famille Apellido
Address Adresse Dirección		Apt. No No d'appt No de appart
City Ville Ciudad	State Etat Estado	Zip Code Code post Código post
*2. E-mail Address Adresse e-mail Dirección de correo electrónico		
*3. Phone Number Numéro de téléphone Número de Teléfono		
*4. Model Number Numéro de modèle Número de modelo		
Serial Number Numéro de série Número de serie		
6. Date of Purchase Date d'achat Fecha de compra		
7. Store Name Nom du magasin Nombre de la tienda		
8. Purchase Price Prix d'achat Precio de compra		
*5. Attach copy of your sales receipt here. Joignez une copie de votre reçu de vente ici. Adjunte una copia de su recibo de venta aquí.		

We respect your privacy | Nous respectons votre vie privée | Respetamos su privacidad If you prefer not to receive special offers and promotions from Char-Broil, please check here:

Si vous préférez recevoir des offres et promotions spéciales de Char-Broil, veuillez vérifier ici:

Si estás buscando un lugar para alojarse en Char-Broil, compruebe aquí.

Mail to: | Envoyer à: | Correo a:
Oklahoma Joe's Warranty Registration
P.O. Box 1240
Columbus, Ga 31902-1240

Thank you for completing this questionnaire | Merci d'avoir rempli ce questionnaire. | Gracias por completar este cuestionario





WORTH *the* WHILE

So, how did it go?

Share your awesome cooking experience with everyone! We are live on all the social media sites! Join the community!

Entonces, ¿cómo te fue?

¡Comparte tu increíble experiencia culinaria con todos! ¡Estamos en vivo en las redes sociales! ¡Únete a la comunidad!

Alors, comment ça s'est passé?

Partagez votre expérience culinaire avec tout le monde! Nous sommes en direct sur tous les sites de médias sociaux! Rejoignez la communauté!



©2023 Char-Broil, LLC. Columbus, GA, 31904.

Printed in China. Imprimé en China. Impreso en China.

The product associated with this guide was manufactured in China.

Tel producto asociado con esta guía ha sido fabricado en China.

Le produit associé à ce guide a été fabriqué en Chine.

