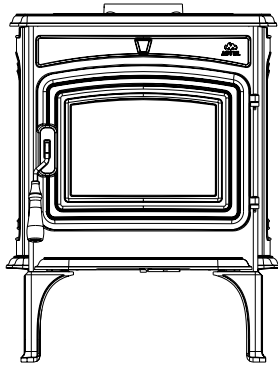


Jøtul F 45 Greenville  
Wood Stove



## Jøtul F 45 Greenville

Installation and Operating Instructions  
for USA and Canada

- The Jøtul F 45 Greenville non-catalytic stove is listed to burn solid wood only. Do not burn any other fuels.
- Read this entire manual before you install and use this appliance.
- Save these instructions for future reference and make them available to anyone using or servicing the fireplace insert.
- This wood heater requires periodic inspection and repair for proper operation. See this manual for specific maintenance information. It is against federal regulations to operate this wood heater in a manner inconsistent with the operating instructions in this owner's manual.

# Table of Contents

<b>Accessories</b> .....	2
<b>Standards and Safety Notices</b>	
Standards / Codes .....	3
Combustion Specifications .....	3
Safety Notices .....	4
<b>1.0 Installation</b>	
1.1. Unpack the Stove .....	5
1.2. Bottom Heat Shield Requirement .....	5
1.3. Short Leg Installation .....	5
1.4. Leg Leveller Installation .....	5
1.5. Flue Collar Orientation .....	6
1.6. Flue Collar Heat Shield.....	6
1.7. Chimney Connector.....	6
<b>2.0 Chimney Requirements</b>	
2.1. Masonry Chimneys .....	7
2.2. Prefabricated Chimneys .....	7
2.3. Chimney Height .....	8
2.4. Wall Pass-Throughs .....	8
<b>3.0 Connecting to the Chimney</b>	
3.1. Masonry Chimneys .....	9
3.2. Hearthmount into a Masonry Fireplace.....	9
3.3. Prefabricated Chimneys .....	10
3.4. Mobile Home Requirements .....	10
<b>4.0 Clearances to Combustibles</b>	
4.1. Floor Protection .....	11
4.2. Clearances to Walls and Ceilings.....	11
4.3. Using Shields to Reduce Clearances.....	11
4.4. Alcove Installation .....	12
4.5. Fireplace Clearances, Mantel and Trim .....	12
4.6. Clearance Diagrams .....	13
<b>5.0 Operation</b>	
5.1. Combustion Efficiency .....	14
5.2. CO Emissions .....	14
5.3. Wood Fuel and Performance.....	14
5.4. F 45 Functionality.....	15
5.5. Air Control / Blower Settings .....	15
5.6. Controlling the Fire .....	15
5.7. Break-in Procedure.....	16
5.8. Starting and Maintaining a Fire .....	16
5.9. Adding Fuel .....	17
5.10. Open Door Fireviewing .....	16
5.11. Creosote and the Need for Removal .....	17
5.12. Ash Removal.....	17
<b>6.0 Maintenance</b>	
6.1. Door Latch.....	18
6.2. Glass Care.....	18
6.3. General Care.....	18
6.4. Gasket Replacement .....	19
6.5. Glass Replacement .....	19
6.6. Chimney System .....	20
6.7. Firebricks .....	20
<b>7.0 Appendix</b>	
7.1. Blower Installation .....	21
7.2. Outside Air Kit Installation .....	23
7.3. Short Leg Installation .....	23
7.4. Mobile Home Floor Bracket .....	24
<b>8.0 Illustrated Part List</b> .....	25
<b>9.0 Warranty Statement</b> .....	27

# Jøtul F 45 Greenville

## Accessories

### Stove Gloves, pair - #157363

Flame-retardant, full length, Black.

### Spark Screen - #157638

Enjoy the warmth of open door fire-viewing with use of this custom fit spark screen.

### Stove-Top Thermometer - #5002

We recommend the use of a magnetic stove-top thermometer to monitor the surface temperature of the stove.

The optimum surface temperature range for the most efficient performance is between 400° F - 700° F (205° C - 316° C).

### Outside Air Kit - #157637

This kit includes a plenum assembly which attaches to the stove bottom. It permits connection of duct work from an outside source directly to the air intake of the stove. A direct outside air connection is required for mobile home installations.

### Mobile Home Floor Bracket Kit - #157321

This kit includes two brackets used to fulfill the mobile home requirement that the stove be secured directly to the floor.

### Blower Kit - #156431

This kit includes components for mounting a thermostatically controlled 120 cfm blower to the back of the stove to enhance heat convection into the living area.

### Short Leg Kit - #157636

This kit includes four, 4 1/4" (108 mm) steel legs which allow stove installation into a fireplace opening height as low as 26 1/4". **Approved only for code-approved, masonry fireplace hearth mount installation.**

## Standards

The Jøtul F 45 Greenville non-catalytic heater has been tested and listed to:

U.S.: ANSI/UL 1482-2011 and ANSI/UL 737-2011

Canada: CAN/ULC-S627-00 and ULC-S628-93

Certified Safety Tests performed by:

ITS, Intertek Testing Services

Middleton, WI

Manufactured by:

Jøtul North America

55 Hutcherson Drive

Gorham, Maine 04038-2644

## Combustion Specifications

### Jøtul F 45 Greenville

**Heat Output Range:**<sup>1</sup> 11,600 to 26,500 BTU/hr.  
Max. Heat Output: 55,000 BTU/hr.

**Heating Capacity:**<sup>2</sup> Up to 1,500 sq. ft.

**Maximum Burn Time:**<sup>2</sup> Up to 8 hours

**EPA Efficiency:**<sup>3</sup> HHV: 74.15% LHV: 80.10%

**CO Emissions:**<sup>4</sup> 89.83 g/hr

**Pariculate Emissions:**<sup>5</sup> 2.30 g/hr

**Fuel:** Up to 18" Logs (457 mm) Front to Back

See the Operation section of this manual for important information regarding the safe, proper, and most efficient operation of your stove.

<sup>1</sup> *Heat Output Range* results are determined during specific emissions tests established by the EPA.

The *Maximum Heat Output* value is representative of a more frequent re-fueling cycle than specified in the EPA High Heat Output test method.

<sup>2</sup> *Heating Capacity and Maximum Burn Time* will vary depending on design of home, climate, wood type and operation

<sup>3</sup> *EPA Validated Efficiency:*  
*High Heat Value and Low Heat Value* are obtained per CSA B415.1-10 test method. HHV calculation encompasses all products of combustion, including H<sub>2</sub>O condensation. LHV calculation includes H<sub>2</sub>O in its vapor state. Simply put, HHV assumes all the water component is in a liquid state (condensed) at the end of combustion and that heat recovered from condensation can be put to use.

<sup>4</sup> *Carbon Monoxide Emissions* rate results from Test Method CSA B415.1-10.

<sup>5</sup> *Particulate Emissions* rate is obtained using EPA Test Method 28-5H.

### WARNING !

**THIS WOOD HEATER HAS A MANUFACTURER-SET MINIMUM LOW BURN RATE THAT MUST NOT BE ALTERED. IT IS AGAINST FEDERAL REGULATIONS TO ALTER THIS SETTING OR OTHERWISE OPERATE THIS WOOD HEATER IN A MANNER INCONSISTENT WITH OPERATING INSTRUCTIONS IN THIS MANUAL.**

**This heater meets the 2015 U.S. Environmental Protection Agency's emission limits for wood heaters manufactured after May 15, 2015. This heater may not be sold after May 15, 2020.**

## Check Building Codes

When installing, operating and maintaining your Jøtul F 45 Greenville woodstove, follow the guidelines presented in these instructions, and make them available to anyone using or servicing the stove.

Your city, town, county or province may require a building permit to install a solid fuel burning appliance.

**In the U.S.**, the National Fire Protection Association's Code, NFPA 211, *Standards for Chimneys, Fireplaces, Vents and Solid Fuel Burning Appliances*, or similar regulations, may apply to the installation of a solid fuel burning appliance in your area.

**In Canada**, the guideline is established by the CSA Standard, CAN/CSA-B365-M93, *Installation Code for Solid-Fuel-Burning Appliances and Equipment*.

Always consult your local building inspector or authority having jurisdiction to determine what regulations apply in your area.

The Jøtul 45 Greenville is approved for use in mobile homes. Install in accordance with 24 CFR, Part 3280 (HUD). Follow the instructions in this manual.



We suggest that our woodburning hearth products be installed and serviced by professionals who are certified in the U.S. by the National Fireplace Institute® (NFI) as NFI Woodburning Specialists or who are certified in Canada by Wood Energy Technical Training (WETT).



## Safety Notices

- BURN SOLID, NATURAL WOOD FUEL ONLY. DO NOT BURN ANY OTHER FUEL.
- DO NOT USE CHEMICALS OR FLUIDS TO START A FIRE. DO NOT BURN GARBAGE OR FLAMABLE FUELS.
- DO NOT USE A GRATE OR ELEVATE THE FIRE. BUILD THE FIRE DIRECTLY ON THE HEARTH.
- IF THIS ROOM HEATER IS NOT PROPERLY INSTALLED, A HOUSE FIRE MAY RESULT. TO REDUCE THE RISK OF FIRE, FOLLOW THE INSTRUCTIONS IN THIS MANUAL. FAILURE TO FOLLOW THESE INSTRUCTIONS MAY RESULT IN PROPERTY DAMAGE, BODILY INJURY, OR LOSS OF LIFE.
- CONTACT LOCAL BUILDING OR FIRE OFFICIALS ABOUT RESTRICTIONS AND INSTALLATION INSPECTION REQUIREMENTS IN YOUR AREA.
- ANY EXISTING CHIMNEY SYSTEM MUST BE INSPECTED BEFORE INSTALLATION OF THIS APPLIANCE.
- DO NOT CONNECT THIS STOVE TO ANY AIR DISTRIBUTION DUCT OR SYSTEM.
- EXTREMELY HOT WHILE IN OPERATION! KEEP CHILDREN, CLOTHING, AND FURNITURE AWAY. CONTACT WILL CAUSE SKIN BURNS. USE A CHILD GUARD SCREEN TO PREVENT ACCIDENTAL CONTACT BY SMALL CHILDREN.
- INSTALL SMOKE DETECTORS IN THE LIVING AREA AND BEDROOMS OF YOUR HOME. TEST THEM REGULARLY AND INSTALL FRESH BATTERIES TWICE ANNUALLY.  
WHEN INSTALLED IN THE SAME ROOM AS THE STOVE, A SMOKE OR CARBON MONOXIDE DETECTOR SHOULD BE LOCATED AS FAR FROM THE STOVE AS POSSIBLE TO PREVENT THE ALARM SOUNDING WHEN ADDING FUEL.
- Avoid creating a low pressure condition in the room where the stove is operating. Be aware that operation of an exhaust fan or clothes dryer can create a low pressure area and consequently promote flow reversal through the stove and chimney system. In some cases, the optional Outside Air Kit #154335 can be used to alleviate this condition. The chimney and building, however, always work together as a system - provision of outside air, directly or indirectly to an atmospherically vented appliance will not guarantee proper chimney performance. Consult your local Jøtul authorized dealer regarding specific installation/performance issues.
- Jøtul strongly recommends that this stove be installed by a professional solid fuel technician, or that you consult one if you do the work yourself. Also, consult your insurance company regarding any other specific requirements.

### Installation Tools Required, but not limited to:

- Measuring Tape
- Phillips screwdriver
- 10 mm open-end or socket wrench
- Work Gloves
- Safety Glasses
- 4 mm hex key

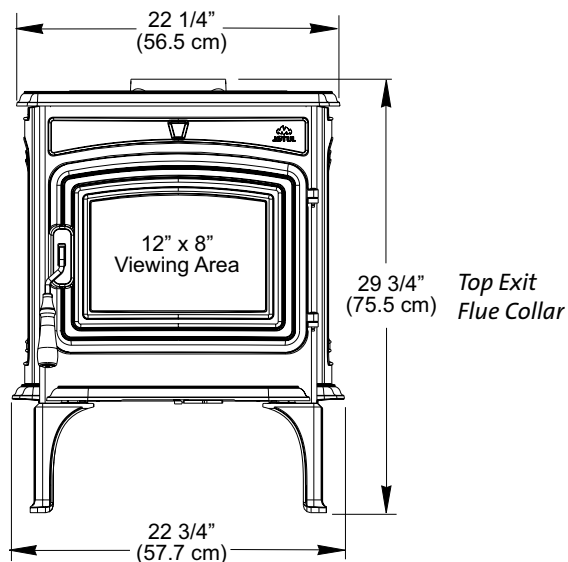
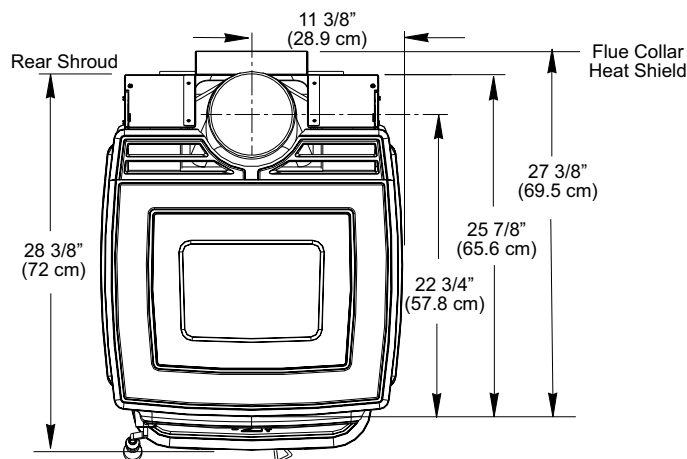
### PLEASE NOTE:

**IT IS NORMAL FOR SMOKE AND ODOR TO OCCUR DURING THE INITIAL STAGES OF OPERATION, DEPENDING UPON TEMPERATURES GENERATED OVER TIME. THIS "CURING" CONDITION CAN BE ALLEVIATED BY PROMOTING FRESH AIR CIRCULATION WITHIN THE IMMEDIATE VICINITY OF THE APPLIANCE.**

## 1.0 Installation

If this solid fuel room heater is not properly installed, a house fire may result. For your safety, follow the installation directions. Contact the local building or fire officials about restrictions and installation inspection requirements in your area.

Your local officials have final authority in determining if a proposed installation is acceptable. Any requirement by the local authority having jurisdiction that is not specifically addressed in this manual, defaults to NFPA 211, and local codes in the U.S. or in Canada, CAN/CSA-B365-M and local codes.



### 1.1 Unpack the Stove

Inspect the stove for damage. Contact your dealer immediately if any damage is found. Do not install the stove if any damage is evident.

#### Contents:

- Flue Collar Heat Shield
- Miscellaneous Hardware

**NOTE: The integral Rear Shroud acts as a heat shield. There is no accessory rear heat shield.**

### 1.2 Bottom Heat Shield

The installed bottom heat shield is an integral part of the stove and must be used to protect any floor that is not composed of poured concrete on earth. Remove it only to install the optional Outside Air manifold and then reinstall it according to the instructions in Sect. 7.2, page 22.

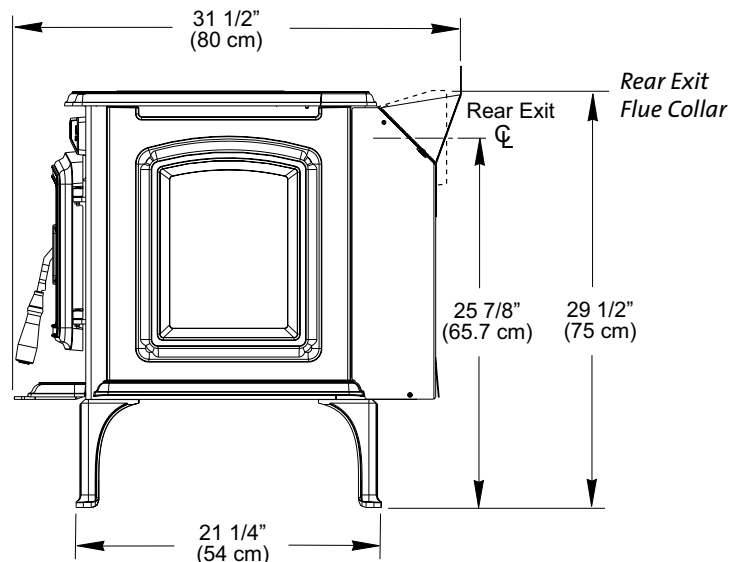
### 1.3 Short Leg Installation

**NOTE ! Install the optional Outside Air Kit and Blower Kit BEFORE the short legs.** Follow the instructions provided with those kits.

### 1.4 Leg Levellers

Two M8 x 40 mm leg leveller screws are included in the hardware bag. Install the in the appropriate legs **BEFORE** locating the stove in the final position. See fig. 27, page 24.

Use Short Leg Kit #157636 to reduce stove height by 3 1/4".  
Hearthmount installation only.



## 1.5 Flue Collar Orientation

The Flue Collar is oriented in the Top Exit position. To change orientation to Rear Exit:

1. Remove the Rear Shroud from the stove with removal of the four sheet metal screws at the top and bottom of the shroud sides.
2. Twist and remove the perforated cut-out section from the top edge of the rear shroud.
3. Use a 10 mm socket wrench to remove the two M6 nuts and bolts that attach the flue collar to the stove. Orient the flue collar to the rear and use the same nuts and bolts to re-attach it to the stove.
4. Reattach the shroud to the back of the stove using the sheet metal screws previously removed.

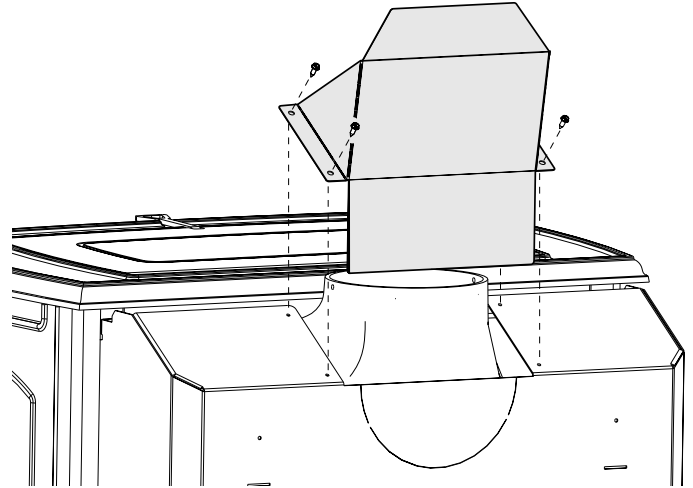


Figure 2. Flue Collar heat shield attachment.

## 1.6 Flue Collar Heat Shield

Not applicable for rear exit configuration.

1. Fold the heat shield on the perforations to conform to the shape as illustrated in fig.2.
2. Secure it to the rear stove shroud using the four #8 x 12 sheet metal screws from the hardware bag.

## 1.7 Chimney Connector

Use 6" single wall or listed 6" double-wall stovepipe to connect the stove to the chimney. Single wall stovepipe must be black steel or stainless steel and have a minimum thickness of 24 gauge. Do not use aluminum or galvanized steel pipe for chimney connection - these materials are not suitable for use with solid fuel.

Follow these guidelines:

- Do not use chimney connector as a chimney. It is intended only as a connection device.
- Each connector section must be oriented with the male (crimped) end pointing toward the stove. See fig. 3.
- Secure all connector joints with three sheet metal screws. The connection to the stove flue collar uses the two M6x 16 mm self-tapping screws provided.
- For the best performance, the chimney connector should be as short and direct as possible, including no more than two 90° elbows.
- **The maximum vertical run of single wall stovepipe should not exceed 10 ft. (305 cm).**
- **The maximum horizontal run should not exceed 3 ft. (92 cm) with a 1/4" rise per foot.** Under no circumstance should horizontal pipe be installed slanting down toward the chimney.

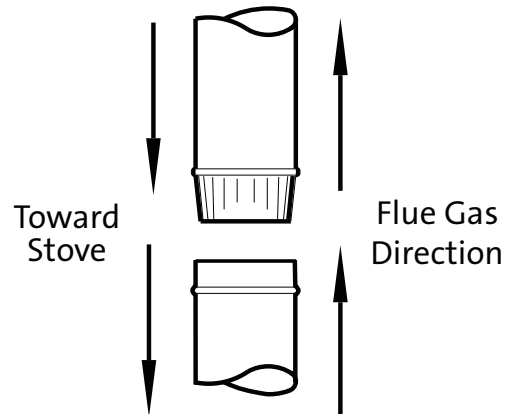


Figure 3. Chimney connector orientation.

- No part of the chimney connector may pass through an attic or roof space, closet or other concealed space, or through a floor or ceiling. All sections of the chimney connectors must be accessible for cleaning. Where passage through a wall or partition of combustible construction is desired, the installation must conform with NFPA 211 or CAN/CSA-B365, and is also addressed in this manual.
- **Do not connect this stove to a chimney flue serving another appliance.**

## 2.0 Chimney Requirements

There are two types of approved chimneys:

1. A code-approved masonry chimney with a ceramic tile or listed steel flue liner.
2. A prefabricated chimney complying with the requirements for Type HT (2100°F) chimneys per UL 103 or ULC S629.

Use of an existing chimney requires that the entire system pass a UL 1482 Level II inspection by a qualified solid fuel technician or building official.

The chimney size should not be less than the cross-sectional area of the flue collar, and not more than three times greater than the cross-sectional area of the flue collar. If the chimney flue is outdoors, its cross-sectional area may not exceed two times greater than the stove flue collar. See also Sect. 3.2.

When selecting a chimney type and the location for the chimney in the house, keep this in mind: **It is the chimney that makes the stove work - not the stove that makes the chimney work.** This is because a chimney actually creates a suction, called “draft” which pulls air through the stove.

Several factors affect draft: chimney height, cross-sectional area (size), and temperature of the chimney, as well as the proximity of surrounding trees or buildings.

A short exterior masonry chimney will give the poorest performance because it will be difficult to warm the flue and sustain the temperatures necessary to maintain draft strength. In extremely cold climates, it may be necessary to reline the chimney or extend the height to help establish draft.

A tall, interior masonry chimney is easier to keep warm and will perform the well under a variety of weather and environmental conditions.

The following guidelines give the necessary chimney requirements based on the national code (ANSI-NFPA 211 for the US. And CSA CAN-B365 for Canada). However, many local codes differ from the national code to take into account climate, altitude, or other factors. Your local building inspector is the final approving authority. Consult them prior to installation.

**Do not connect the stove to any air distribution duct or system.**

### 2.1 Masonry Chimneys

Follow these guidelines when installing the Jøtul F 45 into a masonry chimney:

- The masonry chimney must have a fireclay liner or equivalent, with a minimum thickness of 5/8” (14 mm) and must be installed with refractory mortar. There must be at least 1/2” (12.7 mm) air space between the flue liner and chimney wall.
- The fireclay flue liner must have a nominal size of 8” X 8” (20 cm x 20 cm), and should not be larger than 8”X 12” (20 cm x 30 cm). A round fireclay liner must have a minimum inside diameter of 6” (15 cm) and maximum inside diameter of 8” (20 cm). A larger chimney should be relined with an appropriate code approved liner.
- Brick or modular block must be a minimum of 4” (10 cm) nominal thickness. Stone construction must be at least 12” (30 cm) thick.
- A newly-built chimney must conform to local codes, or, in their absence, must comply with national regulations.
- An existing chimney must be inspected by a professional, licensed chimney sweep, fire official, or code officer to ensure that the chimney is in proper working order. Any repairs must be completed before installing the stove.
- No other appliance may be vented into the same flue.
- An airtight clean-out door should be located at the base of the chimney.

### 2.2 Prefabricated Chimneys

A prefabricated metal chimney must be tested and listed for use with solid fuel burning appliances. High Temperature (HT) Chimney Standard UL 103 for the U.S. and High Temperature Standard ULC S-629 for Canada.

The manufacturer’s installation instructions must be followed precisely. Always maintain the proper clearance to combustibles as established by the pipe manufacturer. This clearance is usually a minimum of 2”, although it may vary by manufacturer or for certain chimney components.

## 2.3 Chimney Height

The chimney must be at least 3 feet (92 cm) higher than the highest point where it passes through the roof and at least 2 feet (61 cm) higher than the highest part of the roof or structure that is within 10 feet (3.05 m) of the chimney, measured horizontally. See fig. 4.

Chimneys shorter than 14 feet (4.27 m) may not provide adequate draft. Inadequate draft can result in smoke spillage when loading the stove, or when the door is open. Poor draft can also cause back puffing (ignition of gas build-up inside the firebox) and sluggish performance. The minimum height does not, in itself, guarantee proper chimney performance. Optimum draft force should be in the .05 - .10 in. w.c. range measured by a Magnahelic gauge. Draft at .07 w.c. is ideal.

Excessive chimney height can promote over-strong draft resulting in high stove temperatures and short burn times. Excessive draft can be corrected by installing a butterfly damper. Your Jøtul dealer is an expert resource to consult regarding draft issues or other performance-related questions.

## 2.4 Wall Pass-Throughs

Note: In addition to the methods described here, any listed, prefabricated wall pass-through components available from chimney manufacturers may be used.

### In the U.S.

The National Fire Protection Association's publication, NFPA 211, *Standard for Chimneys, Fireplaces, Vents and Solid Fuel Burning Appliances* permits four methods for passing through a combustible wall. Before proceeding with any method be sure to consult with your local building officials to discuss any local code requirements.

#### Common Method:

See fig. 5. Remove all combustible materials from the pass-through area ( around the chimney connector), a minimum 12" (30.5 cm). A 6" (15.2 cm) diameter connector will require a 31" x 31" (78.7 x 78.7 cm) square opening.

The opening must be filled with at least 12" (30.5 cm) of brick around a fireclay liner. The liner must be ASTM C35 or equivalent, having a minimum wall thickness of 5/8" (16 mm).

The Pass-through must be at least 18" (45.7 cm) from combustible ceiling materials.

It will be necessary to cut wall studs, install headers, and construct a sill frame to maintain the proper dimensions and to support the weight of the brick.

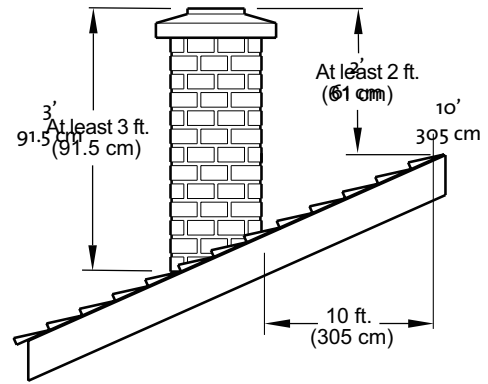


Figure 4. Chimney Height Requirement.

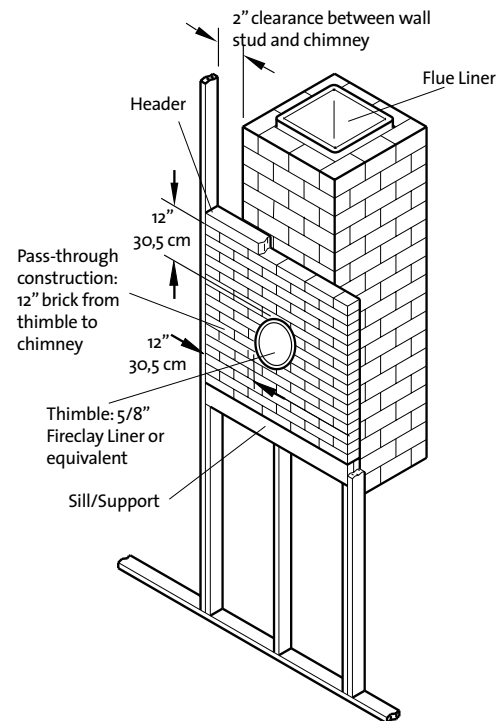


Figure 5. Masonry Wall Pass-through.

The bricks must be solid brick with a minimum of 3 inches thick (nominal 4" / 102 mm).

Refractory mortar must be used at the junction of the chimney and the pass-through liner. The pass-through liner must not penetrate the chimney liner beyond the inner surface of the chimney liner. Use extreme care when constructing the hole in the chimney liner as the tiles can shatter easily.



## In Canada

The installation must conform to CAN/CSA-B365, Installation Code for Solid Fuel Burning Appliances and Equipment. Before proceeding be sure to consult your local building inspector.

Common Method:

This method requires the removal of all combustible materials from at least 18" (45.7 cm) around the chimney connector's proposed location. A 6" round liner requires a minimum opening 43" x 43" (109.2 x 109.2) square.

Locate the pass-through at least 18" from combustible ceiling materials.

The space that is cleared of combustible materials must remain empty. Sheet metal panels can be used to cover the area. However, when using a panel on both sides of the wall, each cover must be installed on noncombustible spacers at least 1" from the wall. If one panel of sheet metal is to be used it may be installed flush to the wall.

See section 5.3.1 and 5.3.2 of CAN/CSA - B365-M91. Consult your local building inspector, authorized Jøtul Dealer, NFPA 211 in the U.S. or CAN/CSA-B635 in Canada for other approved wall pass-through methods.

## 3.0 Connecting to the Chimney

### 3.1 Masonry Chimney

When installing a Jøtul F 45 into a masonry chimney through a "thimble" (the opening through the chimney wall to the flue), the thimble must consist of ceramic tile or steel and be securely cemented in place.

The chimney connector/stove pipe must slide completely inside the thimble to the inner surface or the flue liner. It may be necessary to make use of a thimble sleeve (a pipe with a slightly larger diameter than standard stove pipe). See **fig. 6**.

The connector pipe or thimble sleeve must not protrude into the flue liner or otherwise restrict draft.

Use refractory cement to seal the seam between the chimney connector, sleeve, and thimble.

**Do not connect this stove to a chimney flue servicing another appliance of any kind.**

## 3.2 Hearthmount into a Masonry Fireplace

The Jøtul F 45 on standard legs may be installed into a masonry fireplace with a minimum opening height of 29 1/2" (75 cm).

Use Short Leg Kit 137636 to install into a fireplace with a minimum opening height of 26 1/4" (667 mm). **Short legs are approved only for use on a code-approved, masonry fireplace hearth.**

Building code requires that the fireplace damper plate be removed or securely fixed in the open position. A connector pipe must then extend from the stove's flue exit through the damper area of the fireplace and into the chimney tile liner. See **fig. 7**. In any case, we recommend that a full liner be installed through any masonry chimney to ensure good performance.

The cross-sectional area of the flue of a chimney with no walls exposed to the outside below the roofline may be no more than three times the cross-sectional area of the stove flue collar.

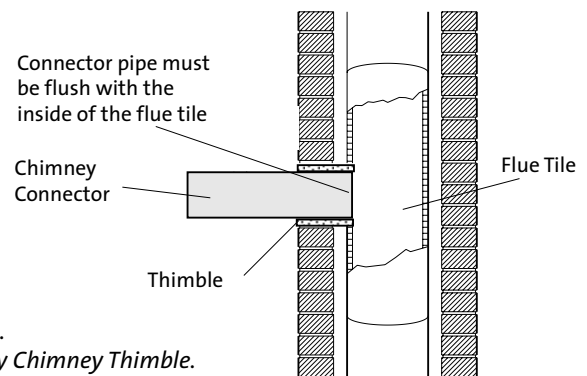


Figure 6. Masonry Chimney Thimble.

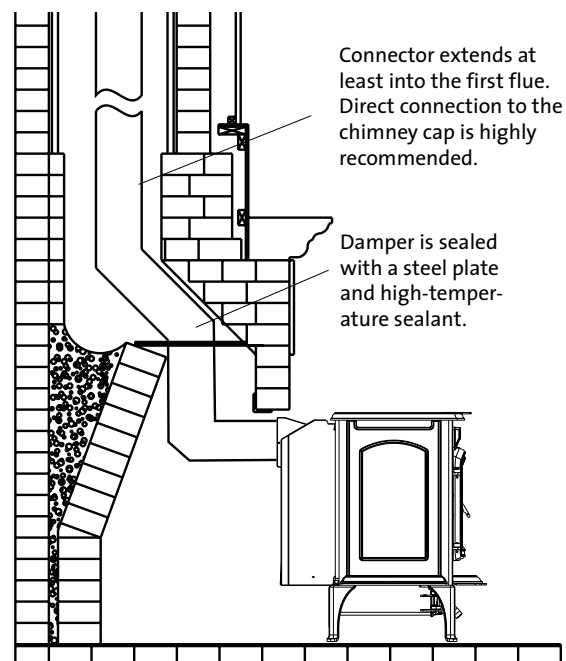


Figure 7. Hearthmount Installation.

The cross-sectional area of the flue of a chimney with one or more walls exposed to the outside below the roofline may be no more than two times the cross-sectional area of the stove flue collar.

If the chimney liner is too large to accommodate the stove, an approved relining system must be installed to resize the flue.

A new sheet metal damper block-off plate must be installed around the connector pipe at the damper frame and sealed with the proper sealant (usually High-Temp Silicone).

### 3.3 Prefabricated Chimneys

When connecting the Jøtul F 45 to a prefabricated metal chimney always follow the pipe manufacturer's instructions and be sure to use the all components that are required. This usually includes a "smoke pipe adapter" that is secured to the bottom section of the metal chimney and allows the chimney pipe to be secured to it with two sheet metal screws. See fig. 8.

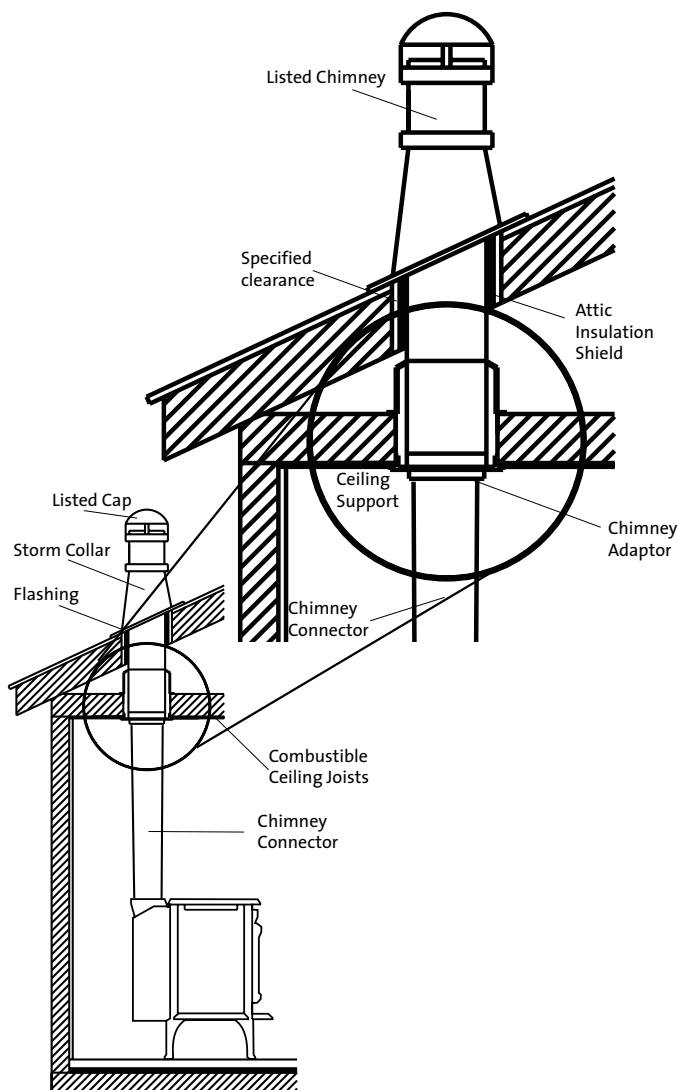


Figure 8. Prefabricated Listed Type HT Chimney.

### 3.4 Mobile Home Installation

The Jøtul F 45 is approved for installation in manufactured mobile homes provided the following requirements are met:

1. All chimney components, including chimney sections, supports, spark arrestor, etc., shall comply with the Standard for Factory-built Chimneys for Residential Type and Building Heating Appliances, UL 103 and/or CAN/ULC-S629 Standard for 650°C Factory-built Chimneys.

2. The chimney shall be attached directly to the stove and extend at least 3 ft. (0.9m) above the roof. Termination must be at least 2 ft. (0.6m) above the highest elevation of any part of the mobile home within 10 ft. (3m).

3. In order to allow for transportation of the mobile home, the chimney termination shall be readily removed at or below an elevation of 13.5 ft. (4.1 m) above ground level and reinstalled without use of special tools or instructions.

4. A spark arrestor must be installed at the termination. The net free area of the arrester above the chimney outlet must not be less than four times the net area of the chimney outlet, and the vertical height of the arrester must not be less than one-half the diameter of the chimney flue. Openings shall not permit the passage of a sphere having a diameter larger than 1/2" (12.7 mm), and shall permit the passage of a sphere having a diameter of 3/8" (9.6 mm).

5. Direct connection of the stove to an outside air source is required. Use Outside Air Kit 157440. Do not substitute any other connection method or device. See Appendix, Section 7.0. Duct termination must not be installed at a level that is higher than the air inlet located at the bottom of the stove.

6. The stove must be secured to the mobile home floor. Use Floor Bracket Kit 157321.

7. When the chimney exits the mobile home at a location other than through the roof, and exits at a point 7 ft. (2.1 m) or less above the ground level, a guard or other method of enclosing the chimney, must be provided at the point of exit for a height up to 7 ft. Openings of this chimney guard shall not permit penetration of a 3/4 in. (19.1 mm) diameter rod, or contact with the chimney by a 1/2 inch (12.7 mm) diameter rod inserted through the opening a distance of 4 inches (102 mm).

8. Provision must be made for electrical grounding of the chimney, chimney connector, and stove in accordance with local building codes.

**WARNING: Do not install this appliance in a sleeping room.**

**CAUTION: The structural integrity of the mobile home floor, walls, and ceiling/roof must be maintained.**

## 4.0 Clearance to Combustibles

### 4.1 Floor Protection

The **Bottom Heat Shield** provided with the stove must be installed unless the stove is installed on concrete poured on earth. See instructions in the Appendix on page 26.

The Jøtul F 45 also requires one of the following forms of hearth protection if not installed directly on concrete poured on earth:

- 1) Any UL/ULC Type I, Type II, or Warnock Hersey Listed hearth board.
- 2) Any noncombustible material.

**IN THE U.S:** Floor protection must extend continuously forward from the door opening at least 16 in. and 8 in. from the sides of the door opening. Protection must also extend 2 in. from the rear and 2" to the sides under any horizontal chimney connector. This will result in a minimum floor protector measuring 27" wide x 44" deep. See fig 9.

**IN CANADA:** Floor protection must extend continuously 18" from the front of the stove and 8 in. (460mm) from the sides and rear. It must also extend 2 in. (51 mm) under any horizontal chimney connector. This results in a floor protector dimension of 39 in. x 52 in. (99 cm x 52 cm) See fig.10.

### 4.2 Clearances to Walls and Ceilings

The clearances listed and diagramed in this manual have been tested to UL and ULC standards and are the minimum clearances to combustible materials specifically established for the Jøtul F 45.

A combustible surface is anything that can burn (i.e. sheet rock, wall paper, wood, fabrics etc.). These surfaces are not limited to those that are visible and also include materials that are behind noncombustible materials. If you are not sure of the combustible nature of a material, consult your local fire officials.

Remember: "Fire Resistant" materials are considered combustible; they are difficult to ignite, but will burn. Also "Fire-rated" sheet rock is also considered combustible.

Contact your local building officials about restrictions and installation requirements in your area.

See pages 12-13 for clearance requirements and diagrams.

### 4.3 Using Shields to Reduce Clearances

**Double Wall Connector:** Listed double wall pipe is an acceptable alternative to connector pipe heat shields.

**Wall-Mounted Protection:** When reducing clearances through the use of wall-mounted protection:

**In the U.S. refer to NFPA 211, Standard for Chimneys, Fireplaces, Vents and Solid Fuel Burning Appliances,** for acceptable materials, proper sizing and construction guidelines.

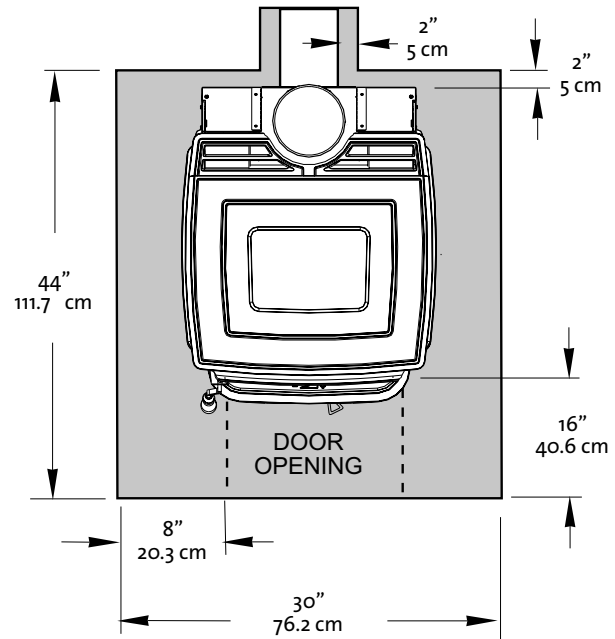


Figure 9. Floor Protection minimum dimensions, U.S.

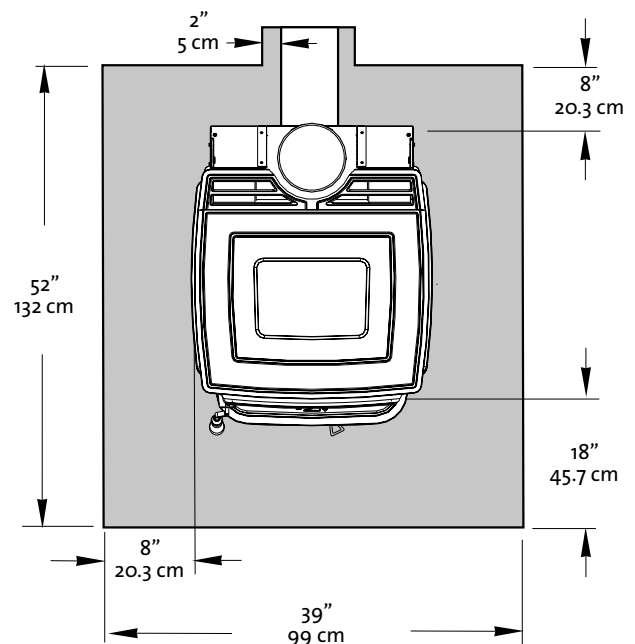


Figure 10. Floor Protection minimum dimensions, Canada.

**In Canada, refer to CAN/CSA-B365, Installation Code for Solid-Fuel Burning Appliances and Equipment,** also for acceptable materials, proper sizing and construction guidelines.

**Notice:** Many manufacturers have developed woodstove accessories that permit clearance reduction. Use only those accessories that have been tested by an independent laboratory and carry the laboratory's testing mark. Be sure to follow all of the manufacturer's instructions.

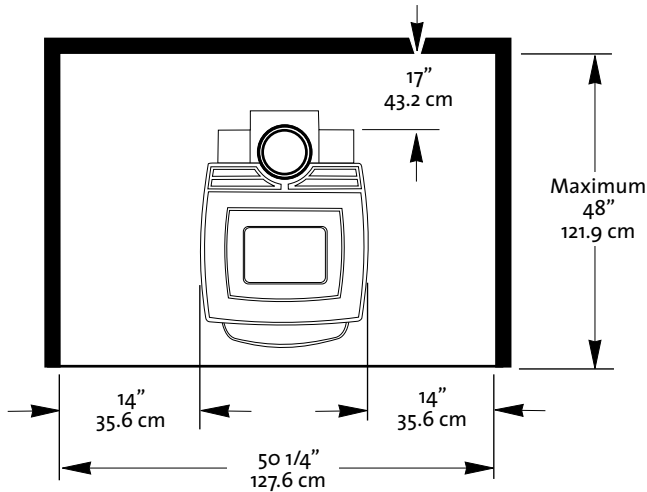


Figure 11. Alcove Clearances.

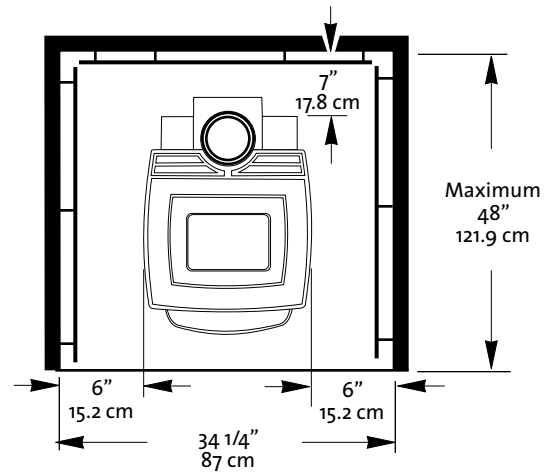


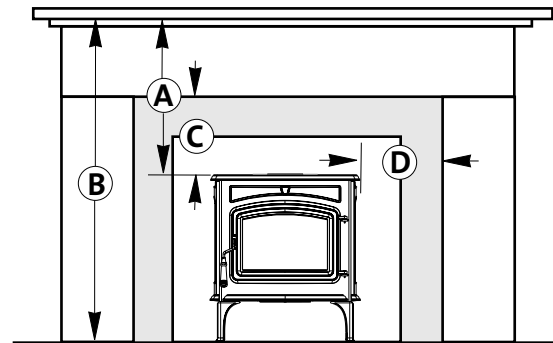
Figure 12. Alcove with Wall Protection.

### 4.4 Alcove Installation

The Jøtul F 45 can be installed in an alcove as diagrammed in figs. 11.-12.

1. Only double-wall chimney connector may be used.
2. Wall and ceiling protection, if used, must extend over the entire area.
3. Alcove floor protection must consist of a Type I or Type II, UL/ULC 1618 or WHI listed hearth pad or a non-combustible material.
4. **Minimum Alcove Ceiling Height from Floor:**  
 Unprotected Surface - 72" (183 cm)  
 Protected Surface - 65" (165 cm)

*The Short Leg option is not approved for use in Alcove installations.*



- A: Unit to Mantel (12 in. deep) - 20 in. / 88.9 cm
  - B: Floor to Mantel - 49.75 in. / 126.4 cm
  - C: Stove to 1 in. Top Trim - 16 in. / 78.7 cm
  - D: Stove to 1 in. Side Trim - 8 in. / 35.6 cm
- Non-combustible Material

Figure 13. Mantel and Trim Clearances.

### 4.5 Clearances to Fireplace Mantels and Surrounding Trim

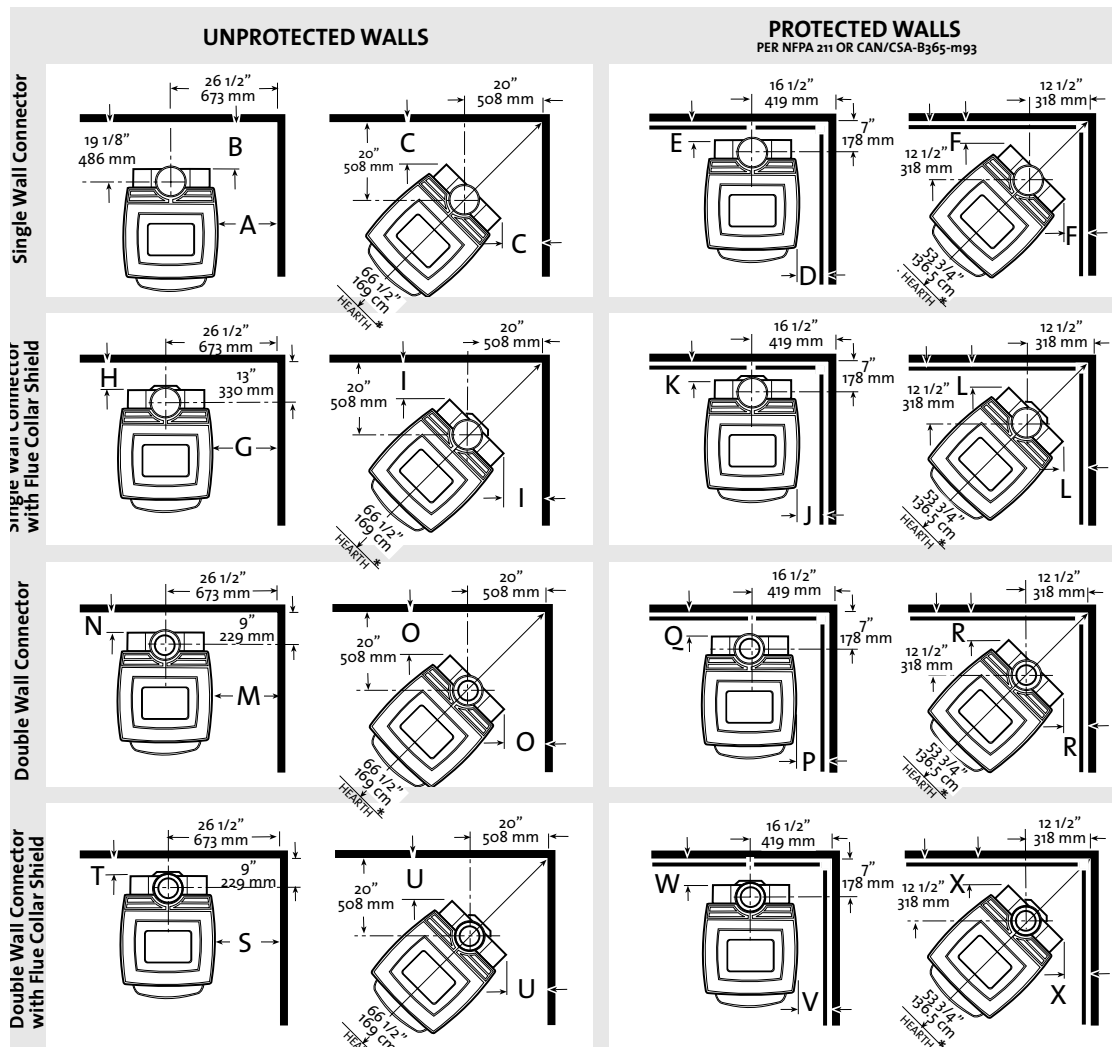
See fig. 13 and the Clearance Chart on page 13 for approved clearances to combustible materials that may be part of fireplace construction.

Mantel and Trim clearances may be reduced by 50% with use of shielding constructed in accordance with NFPA 211 specifications.

### 4.6 Jøtul F 45 Greenville Clearance Specifications

	UNPROTECTED WALLS			PROTECTED WALLS PER NFPA211 OR CAN/CSA -B365-M93		
	SIDE	REAR	CORNER	SIDE	REAR	CORNER
Single Wall Connector	A 15" / 381 mm	B 16" / 406 mm	C 11" / 280 mm	D 5" / 127 mm	E 4" / 102 mm	F 3.5" / 89 mm
Single Wall Connector w/ Flue Collar Heat Shield	G 15" / 381 mm	H 10" / 254 mm	I 11" / 280 mm	J 5" / 127 mm	K 4" / 102 mm	L 3.5" / 89 mm
Double Wall Connector	M 15" / 381 mm	N 6" / 152 mm	O 11" / 280 mm	P 5" / 127 mm	Q 4" / 102 mm	R 3.5" / 89 mm
Double Wall Connector w/ Flue Collar Heat Shield	S 15" / 381 mm	T 6" / 152 mm	U 11" / 280 mm	V 5" / 127 mm	W 4" / 102 mm	X 3.5" / 89 mm
Alcove w/ Double-Wall Connector	A 14" / 356 mm	B 17" / 432 mm	N/A	D 6" / 152 mm	E 7" / 178 mm	N/A

Figure 14. Clearance Diagrams. All specifications applicable to both top and rear exit configurations.



\*For Canada, add 2" (51 mm) to corner hearth extension dimensions.

## 5.0 Operation

Please read the following section before building the first fire in your new Jøtul F 45.

### 5.1 Combustion Efficiency

The Jøtul F 45 has an EPA tested High Heating Value (HHV) efficiency rate of 74.15. There are aspects of efficiency, however, that you should be aware of in order to get the most from your stove.

Operation habits and fuel moisture can have a significant effect on efficiency. Poorly seasoned wood having a higher than optimum moisture content, can reduce the amount of energy transferred to the living area as a result of the energy expended to evaporate the excess fuel moisture in order for the wood to burn. Operational aspects, such as not building a robust kindling fire to readily ignite the larger fuel pieces, can result in an inefficient smoldering fire. Additionally, most modern wood heaters' optimum performance and efficiency are at the medium to medium-to-low burn rates.

The location of the stove can have a significant effect on heating efficiency, primarily in regard to distribution of the heat. For example, a wood heater centrally located in the residence in an open living area will likely provide better circulation of heat than will a stove located in a room adjacent to the larger living area.

### 5.2 Minimize Carbon Monoxide Emissions

Testing the F 45 to CSA B414.1-10 resulted in a carbon monoxide emission rate of 89.83 grams per hour. Most means of combustion produce CO, including wood fires. Maintaining a well-established fire and avoiding operation that produces a smoldering, smoky fire, will greatly reduce CO levels.

It is highly recommended that a CO monitor (detector) be installed in the same room as the stove. The monitor, however, should be located as far away as possible from the stove to avoid alert soundings when adding fuel to the fire.

### 5.3 Wood Fuel and Performance

The F 45 is designed to burn natural wood only. Higher efficiencies and lower emissions generally result when burning air-dried, seasoned hardwoods, as opposed to softwoods, green or freshly cut hardwoods. Wood that has been air-dried for a period of 6 to 14 months will provide the cleanest, most efficient heat. Wood seasoned more than 2 years will burn too quickly to take advantage of the stove's low end efficiency strength.

A seasoned log will have check marks on the ends and be lighter than an unseasoned log which will show little or no check marks.

We recommend using a moisture meter to determine the moisture content of your wood. For purposes of home heating, your fuel should have a moisture content between 12 - 20%. Wood with higher moisture content will burn, however, very inefficiently. Most of its heat value will be lost to driving water out of the wood. Worse, that moisture will condense as creosote in the relatively cool chimney flue, increasing the potential for a chimney fire. ***Use of unseasoned wood defeats the purpose of any modern wood-burning stove.***

#### **BURN UNTREATED WOOD ONLY. DO NOT BURN:**

- Coal;
  - Garbage;
  - Synthetic fuel or logs;
  - Material containing rubber, including tires;
  - Material containing plastics;
  - Waste petroleum products, asphalt products, paints, paint thinners or solvents;
  - Materials containing asbestos;
  - Construction or demolition debris;
  - Railroad ties or pressure-treated wood;
  - Manure or animal remains;
  - Lawn clippings or yard waste;
  - Salt water driftwood or other previously salt-water saturated materials;
  - Unseasoned wood;
  - Colored paper, or
  - Paper products, cardboard, plywood, or particle board.
- (The prohibition against burning these materials does not prohibit the use of fire starters made from paper, cardboard, saw dust, wax or similar substances for the purpose of starting a fire.)*

• **Burning of any of the materials listed above can result in the release of toxic fumes, cause smoke, or render the heater ineffective and cause smoke**

• **NEVER USE GASOLINE, GASOLINE-TYPE LANTERN FUEL, KEROSENE, CHARCOAL LIGHTER FLUID OR SIMILAR LIQUIDS TO START OR "FRESHEN-UP" THE FIRE. ALWAYS KEEP SUCH LIQUIDS AWAY FROM THE HEATER AT ALL TIMES.**

#### **WARNING**

**ALWAYS WEAR STOVE GLOVES WHILE TENDING THE FIRE. NEVER ALLOW THE FIRE TO REST DIRECTLY ON THE GLASS. KEEP THE LOGS SPACED AT LEAST ONE INCH FROM THE GLASS TO ALLOW FOR PROPER AIR FLOW WITHIN THE STOVE. AVOID STRIKING THE GLASS WITH LOGS.**

**OPERATE THIS STOVE ONLY WITH THE FRONT DOOR FULLY CLOSED OR FULLY OPEN WITH THE OPTIONAL SPARK SCREEN IN PLACE. OPERATION WITH THE DOOR PARTIALLY OPEN MAY RESULT IN OVER-FIRING. IF THE DOOR IS LEFT PARTIALLY OPEN, GAS AND FLAME MAY BE DRAWN OUT OF THE STOVE CREATING SAFETY RISKS FROM BOTH FIRE AND SMOKE.**

## 5.4 How your Jøtul F 45 works

When used with dry wood and a well-drafting chimney system, modern non-catalytic wood stoves burn fuel efficiently by the precise control and delivery of primary and secondary air to the fire.

**Primary Air** is drawn into a front inlet in the stove bottom and directed through a regulator shutter under the front door before entering the lower fire chamber. Additional primary air is directed to the top of the load door to act as an air wash to help prevent extreme soot build-up on the glass panel. The amount of primary air available to the fire determines the intensity of heat output and rate of fuel combustion; the greater the amount of air, the greater the heat output, the faster the wood burns. The primary air setting also determines the effectiveness of the air wash over the glass; the higher the setting, the cleaner the glass.

Additional air is separately directed into the top of the fire chamber to support combustion of exhaust gasses before passing out of the stove. This unregulated **Secondary Air** enters through an inlet in the rear of the stove bottom and is heated as it passes through the rear of the stove into a two-tiered manifold at the top of the firechamber. Additional secondary air is directed through a stainless steel baffle plate.

Volatile gases, released unburned from the fuel bed, rise to the baffle where they are turbulently mixed with the hot, fresh oxygen. Secondary combustion then occurs before the gases pass into the heat exchange chamber. The action of secondary combustion can be readily seen through the viewing glass as slow, rolling flames suspended over the main fuel bed and smaller jets of flame extending from the baffle manifold ports. At the same time, no smoke will be observed exiting the chimney. This is evidence that the stove is operating at the so-called "sweet-spot" wherein optimum efficiency and lowest particulate emissions are realized. See fig. 15.

### Use a Stove-top Thermometer

Determining the primary air setting for the best overall performance for your particular needs and installation will be established over time and experience. Each installation has unique characteristics that will affect stove performance. You should use a stove-top thermometer to monitor the status of the fire. Place the thermometer on the stove top, centered two one side or the other. Generally speaking, once the stove temperature has reached 400°F - 600°F (204°C -316°C), the air control may be set in a mid-range position to allow adequate oxygen to support efficient combustion throughout the burn cycle.

Beside using a thermometer, you can also monitor stove performance through the window. Peak combustion efficiency occurs when exhaust gas is burned at the baffle in the top of the firebox. This is apparent as rolling yellow-orange flames appearing at the secondary air ports in the underside of the baffle plate and forward tube. At this stage, little or no smoke will be visible exiting the chimney.

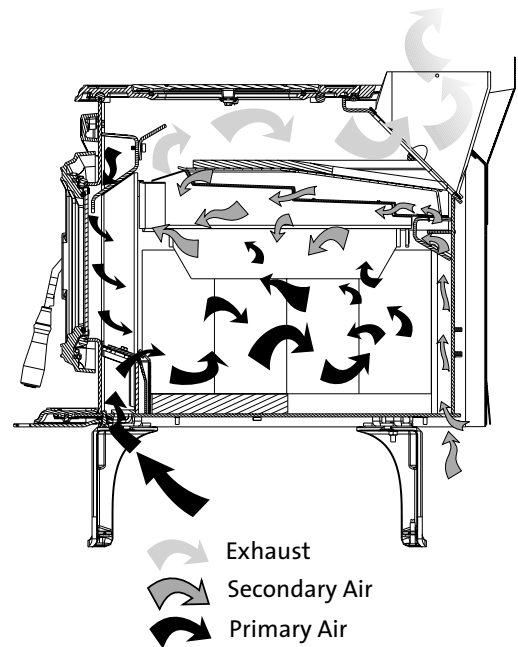


Figure 15. Combustion air paths

## 5.5 Air Control / Blower Settings

Use the following guide for best performance.

Burn Rate	Air Control Setting	Blower Speed
Min. Low	Fully Closed	Low / On at 30 min.
Med. Low	1/8" Open	Low / On at 30 min.
Med. High	1/8" - 1/2" Open	Low / On at 30 min.
High	Fully Open	High / On

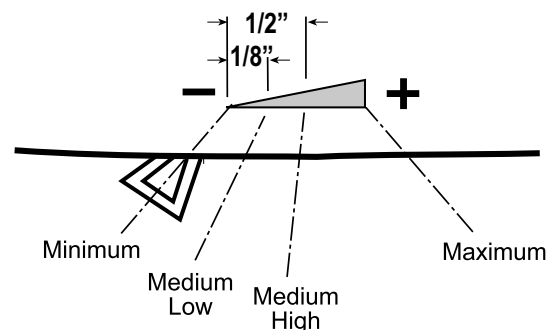


Figure 16. Air Control Settings

## 5.6 Controlling the Fire

Combustion intensity is controlled by the position of an air shutter located under the front door. You adjust its position using the handle located under the ash lip. Slide the handle to the left to decrease air to the fire. Sliding it to the right increases air delivery and consequently, fire intensity. See fig. 16. The shutter regulates and directs primary air to the front of the burn chamber. Push it to the right to allow maximum air to support combustion. It should be fully open when first starting or rekindling a fire, or when greater heat output is desired.

## 5.7 Break-In Procedure

Although your Jøtul F 45 is constructed of welded, 3/16" steel plate, it also incorporates cast iron components. This material requires the stove to be "broken-in" gradually so that heat expansion does not occur too quickly and cause damage. The following steps describe the proper break-in procedure for your stove. Use a magnetic stove-top thermometer to monitor stove temperature, placed directly on the cook plate.

Set the Primary Air Shutter fully open, all the way to the right.

1. Light a small fire of newspaper and kindling at the front of the stove. Gradually add small pieces of wood, but only allow the stove to reach a maximum surface temperature of 200°F (93° C). Continue burning at this low rate for approximately 1 hour.
2. Allow the stove to cool to room temperature.
3. Light a second fire, allowing the stove to reach a maximum temperature of 300°F (149°C) for 1 hour.
4. Cool the stove to room temperature.
5. Light a third fire and gradually allow the stove to reach a surface temperature of 400°F (204°C)
6. Cool the stove to room temperature. This completes the "break-in" procedure.

**Note:** If the temperature exceeds the limit during any break-in fire, move the Air Shutter all the way to the left to shut off the air supply completely. It is normal that the stovetop temperature will continue to climb until the fuel burns down somewhat. Once the fire is out and the stove has cooled to room temperature, continue the break-in procedure. Never attempt to reduce the temperature by removing burning logs from the fire.

**Break-in Odors:** It is normal for a newly-painted stove to emit odor and smoke during the first few fires, and these may set off smoke alarms. This condition is caused by curing of the high temperature paint and will diminish with each subsequent fire. It is advisable to open windows or doors to provide plenty of fresh air and cross-ventilation during the break-in period.

### WARNING:

**NEVER OVER-FIRE THE STOVE. IF ANY PART OF THE STOVE OR CHIMNEY GLOWS, YOU ARE OVER-FIRING. A HOUSE FIRE OR SERIOUS DAMAGE TO THE STOVE OR CHIMNEY COULD RESULT. IF THIS CONDITION OCCURS, IMMEDIATELY CLOSE THE AIR CONTROL.**

**ATTEMPTS TO ACHIEVE HEAT OUTPUT RATES THAT EXCEED HEATER DESIGN SPECIFICATIONS CAN RESULT IN PERMANENT DAMAGE TO THE HEATER.**

## 5.8 Starting and Maintaining a Fire

Burn only solid wood directly on the bottom of the stove firechamber. Do not elevate the fire in any way.

### Traditional Fire Building

1. With the primary air control lever in the full open position (*to the right*), start with several sheets of crumpled newspaper placed directly on the grate. On top of the newspaper, place several pieces of small dry kindling (approx. 1" in diameter) with two to three larger logs (approx. 3" to 5" in diameter) on top.
2. Light the fire and close the door, slowly building the fire by adding larger and larger logs. Be sure to follow the break-in procedure before creating a hot fire that might damage the stove.
3. Once the stove has reached a surface temperature range of between 400° and 600°, (204°C -316°C), adjust the primary air control lever as necessary to generate the heat output and burn time desired.

### Top-Down Fire Building - See fig. 17.

Many people find this method to be superior to the traditional method.

1. With the primary air control lever in the full open position (*to the right*), place two short 1/4-split logs on the firebox floor, perpendicular to the rear wall, about 6 inches apart.
2. Place kindling across the base logs.
3. Place one or two smaller logs on top of the kindling.
4. Place newspaper between the two bottom logs under the kindling. Light the news paper and close the door. Continue to add kindling and small logs as necessary to build the fire. Keep the air control fully open until the fire is well-established.

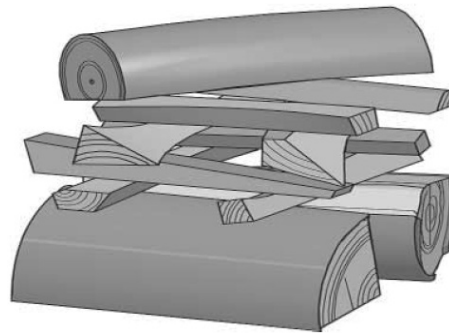


Figure 17. Top-down fire starting structure.



## 5.9 Adding Fuel

Follow this procedure when reloading the stove while it is still hot and a bed of hot embers remains:

- Always wear gloves when tending to the stove.
- Adjust the Primary Air Shutter Lever to the fully open position - all the way to the right. Wait a few seconds to re-establish strong draft before opening the load door. This will allow fresh air to flush the firebox and prevent smoke escaping when the door is opened.
- Open the door slightly, and hesitate a moment to allow exhaust purge, then open the door fully.
- Use a stove tool or poker to evenly distribute coals and embers around the firebox.
- Load the fuel, usually with smaller logs first.
- Close the door, being sure to latch the door tightly.
- Wait 5 – 10 minutes to re-establish the fire before setting the air controls for the desired heat output and burn time. (If there is at least a 2" thick ember bed when reloading, it may be possible to close the door and immediately adjust the air control setting).
- Set the Air Shutter for the desired heat output.

## 5.10 Open Door Fire-viewing

**Warning:** This stove should be operated with the door either fully open with optional Spark Screen in place or with the door fully closed. If the door is left partly open, there is risk of overfiring. Also, gas and flame may be drawn out of the fireplace stove opening, creating risks from both fire and smoke.

Be aware that, when operating with the door open, there exists the possibility of carbon monoxide generation by charcoal. Good draft is essential to minimize the potential for CO to be introduced into the living space. Be sure adequate fresh air and ventilation are available to the stove when using the spark screen.

---

## 5.11 Creosote Formation and the Need for Removal

When wood is burned slowly, it produces tar and other vapors that combine with moisture to form creosote. Creosote vapors condense in the relatively cool chimney flue, and creosote residue accumulates on the flue lining. When ignited, this creosote fuels an extremely hot fire.

The chimney connector and chimney flue should be inspected at least every other month during the heating season to determine if creosote buildup has occurred. If creosote has accumulated, it should be removed to reduce the chance of a chimney fire.

In the event that creosote ignites in the flue, the resulting fire is often accompanied by a roaring noise and crackling sound as flakes of burning creosote break loose. If you suspect you are having a chimney fire, immediately close the air controls and make sure the door is closed securely. Call the fire department and have everyone leave the house.

Do not attempt to extinguish the fire. Opening the door will only supply additional oxygen and intensify the fire. When the fire in the flue has subsided, resist the temptation to open the door to check on the fire. The fire may have suffocated, but could re-ignite with a supply of fresh air. After a chimney fire, do not use the stove until the chimney connector and flue have been cleaned and inspected to ensure no damage has been sustained.

See Section 6.6 of this manual regarding chimney cleaning.

---

## 5.12 Ash Removal

Remove ashes whenever accumulation nears the primary air port located inside the firechamber just under the door opening.

Always wear safety gloves when handling the ashes.

**Ashes should only be placed in a metal container equipped with a tight sealing lid.** The container should be placed on a noncombustible floor or on the ground, well away from all combustible materials, pending final disposal. If the ashes are to be disposed of by burial in soil or otherwise locally dispersed, they should be kept in the closed container until all cinders have thoroughly cooled.

## 6.0 Maintenance

### 6.1 Door Latch Adjustment

Over time, as the door gasket becomes compressed, it may be necessary to adjust the door latch in order to maintain the integrity of the door seal. To check the seal of the front door, close and latch the door on a dollar bill and slowly try to pull the bill free. You should feel resistance as you pull. If it can be easily removed, the seal is too loose. Follow this procedure to tighten the latch mechanism.

#### Tools Required:

- 4 mm hex key

1. Remove the two socket head screws and latch keeper from the stove. See fig. 18.
2. Remove one of the shim plates from the latch cavity and re-install the latch keeper. Retain the shim plate(s) removed for future use.
3. Test the seal integrity using the dollar bill.

The door gasket will compress over time. When the latch can no longer be tightened by shim removal, install a new gasket and replace the shim plates.

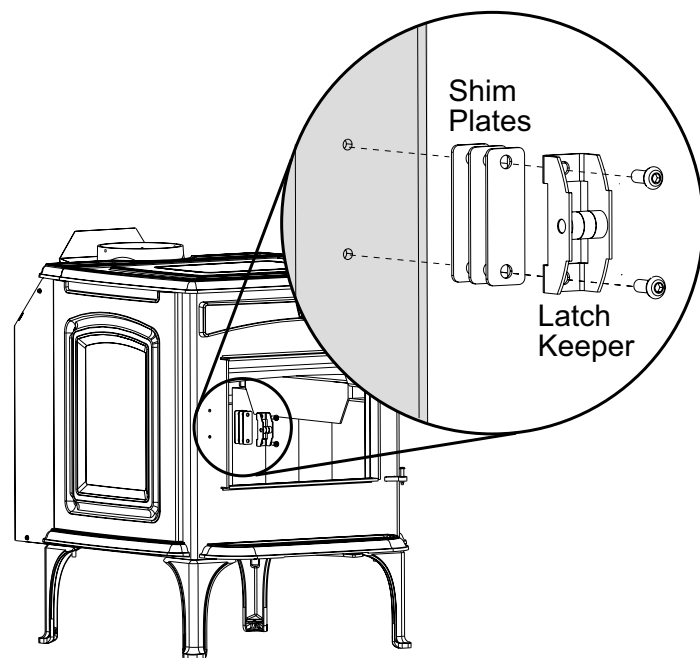


Figure 18. Latch adjustment.

### 6.2 Glass Care

#### Cleaning

On occasion it will be necessary to clean the carbon deposits and fly ash off of the glass. If these deposits are allowed to remain on the glass for an extended period of time, the surface may become etched and cloudy. Any creosote that might develop on the glass will burn off during the next hot fire.

#### Follow this glass cleaning procedure:

1. Glass must be completely cool.
2. Only use only those cleaning products specifically formulated to clean solid fuel appliance glass and follow the manufacturer's instructions. **Use of abrasive compounds or solutions will damage the glass.**
3. Rinse and dry glass completely before burning the stove. Polish with a piece of newspaper.

**Caution!** Always operate the door slowly and carefully to avoid cracking or breaking the glass. Never use the door to push wood into the firebox. If the glass becomes cracked or broken follow the replacement procedure in Section 6.4.

**Never operate the stove with a cracked or broken glass panel.**

**Important:** Replace glass only with ceramic glass panel PN 224923 specifically designed for the Jøtul F 45, available from your local Jøtul dealer. Do not substitute any other glass.

### 6.3 General Care

Regular maintenance will ensure excellent performance and prolong the life of your stove. The following procedures do not take long and are generally inexpensive. When performed consistently, they will lengthen the life of your stove and in turn, provide many years of service.

- Regularly empty the stove of all soot and ashes. Only use a vacuum for this job if the vacuum is specifically designed to handle ashes. **CAUTION: Ashes can contain live embers. Be certain the ash bed contains no live embers before using a vacuum.**
- Inspect the stove: Using a strong light inspect the stove inside and out for cracks or leaks.
- Replace any broken bricks. See fig. 26, page 24. **DO NOT OPERATE THE STOVE WITH BROKEN OR MISSING BRICKS.**

## 6.4 Gasket Replacement

### Tools needed:

- needle nose pliers
- 4mm hex key
- wire brush
- gasket cement

1. Use the pliers to remove the small C-clips from the door hinge pins. Remove the door from the stove and place it face down on a protected surface.
2. Use the hex key to remove the warning label plate from the back of the door.
3. Use pliers to remove the old gasket and adhesive from the door.
4. Thoroughly clean the channel with a wire brush.
5. Apply a small bead of gasket cement to the channel as shown in fig. 19. **DO NOT APPLY CEMENT TO THE GLASS CLIPS OR THE CLIP LANDING AREAS.**
6. Starting at the center of the gasket length and the top center of the channel, gently press each gasket half into the channel. Do not stretch the gasket. Wrap the ends at the center of the bottom as shown in fig. 19.
7. Replace the Warning Plate.
8. Replace the door. Close and latch the door and then reopen. Wipe away any excess cement that may have squeezed out from around the gasket.
9. Replace the c-clips onto the hinge pins.

Description	Part Number
1. Door Gasket	223858
2. Glass Gasket	200024
3. Screw, M6x10 Button Hd.	117978
4. Glass Clip Ass'y. - 5"	157651
5. Glass Panel	224158
6. Warning Plate	225093

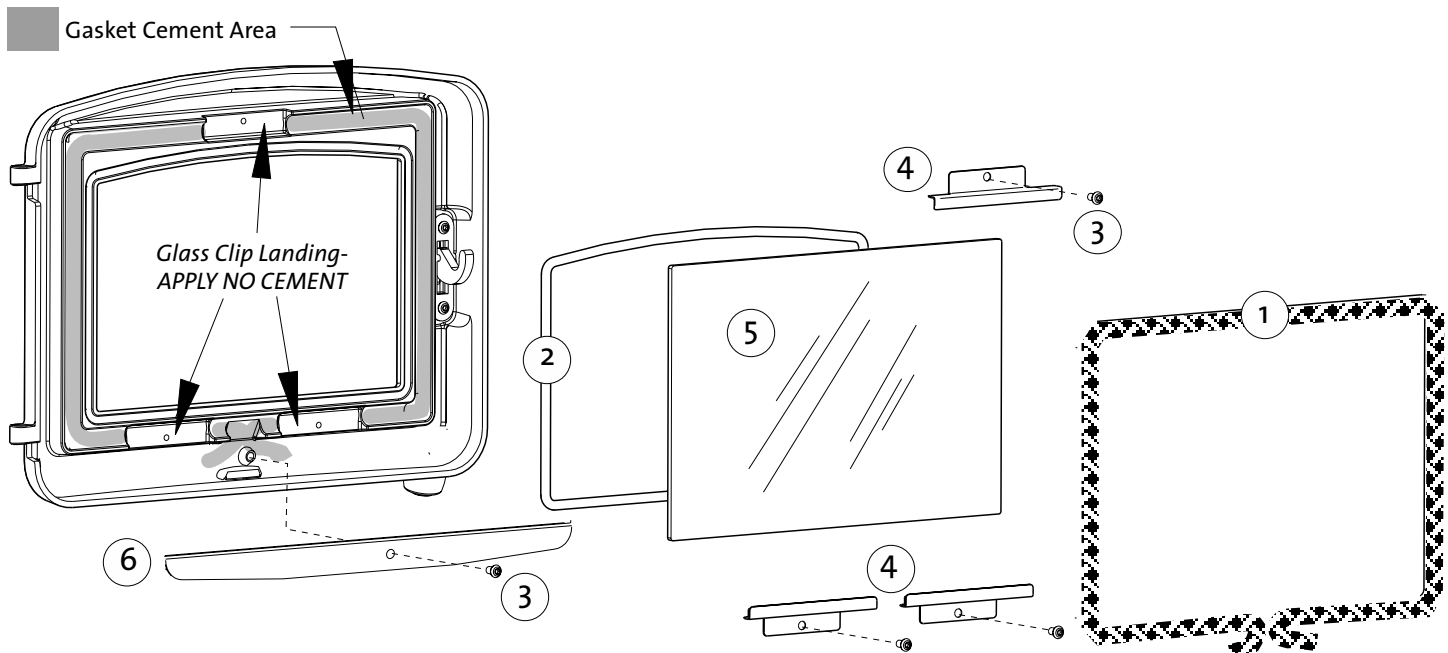


Figure 19. Glass and Gasket Replacement

## 6.5 Glass Replacement

### Tools needed:

- 4mm hex key
1. Lift the door gasket over the glass clips enough to expose the clip button head screws. See fig. 20. Use the 4mm hex key to loosen the glass clips just enough to remove the glass panel. It is not necessary to completely remove the clips from the door.  
*If replacing the glass gasket, follow steps 3-5 in section 6.4.*
  2. Position the new glass panel and tighten the glass clips just snug. Avoid overtightening or placing uneven pressure on the glass.
  3. Reposition the door gasket over the glass clips.



Figure 20. Loosen the glass clips.

## 6.6 Chimney System

The Jøtul F 45 is designed to burn cleanly and efficiently when used according to the guidelines in this manual. In order to maintain proper performance, you should inspect the chimney and chimney connector at the beginning of each heating season and then every other month during the heating season. Clean the chimney whenever creosote and fly ash accumulation exceeds 1/4 inch in any part of the system.

Chimney brushes are available from your local Jøtul dealer or hardware supply store. Your dealer can also refer you to a reputable, professional chimney sweep who will have all the equipment to ensure a complete and proper job.

**WARNING: FAILURE TO KEEP THE CHIMNEY CONNECTOR AND FLUE FREE OF CREOSOTE BUILD-UP CAN RESULT IN A CHIMNEY FIRE.**

## 6.7 Replace Firebricks

DO NOT OPERATE THE STOVE WITH BROKEN OR MISSING BRICKS.

See fig. 28, page 25 and the parts listing on page 26 for the configuration and part number of any firebricks that require replacement. Order bricks through your local Jøtul Authorized Dealer.

## 7.0 Appendix

### 7.1 Optional Blower 156431

#### Tools Required

- 10 mm wrench or socket driver
- pliers
- 1/4" socket driver or flat head screwdriver
- 4 mm hex key
- work gloves

#### CAUTION:

Avoid injury- always wear work gloves when handling sheet metal parts. Read through these instructions to familiarize yourself with these parts before beginning the installation.

- 115 VAC, 60 HTZ, Max. 40 Watts
- This blower must be electrically grounded in accordance with local codes or, in the absence of local codes, with the current ANSI/NFPA 70, National Electrical Code or CSA C22.1-Canadian Electrical Code.
- This unit is supplied with a three-prong (grounding) plug for protection against shock hazard and should be plugged directly into a properly grounded three-prong receptacle. **DO NOT CUT OR REMOVE THE GROUNDING PRONG FROM THE PLUG.**
- Do not connect to power supply until all electrical connections have been made.
- Always disconnect the power supply when performing any service.

#### Installation

Install the blower kit before moving the stove into its final position. If the stove is already installed, you may need to pull it out to install this blower.

**For Freestanding stove installations**, where access to the back of the stove is unrestricted, the Control Box may be mounted to either corner of the rear shroud.

**For Alcove or Hearthmount installations** into fireplaces, the Switch Box must be mounted under the stove, attached to the stove using the left front leg stud. Determine the location most appropriate to your needs and follow the installation steps outlined below.

#### 1. Remove the Rear Shroud:

Use the 1/4" socket driver to remove the four sheet metal screws from the bottom and top of each side of the Rear Shroud. See fig. 22, A. Keep all shroud fasteners for reassembly.

2. **Attach the Air Deflector to Rear Shroud: See figs. 21 and 23 /#3.** Use pliers to bend the deflector tabs at the perforation lines as shown. Attach the deflector to the interior side of the rear shroud using two #8 X 12 sheet metal screws from the exterior side.

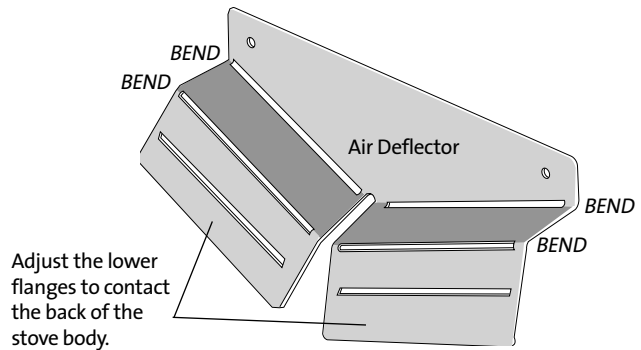


Figure 21. Air Deflector orientation.

3. **Attach the Blower Mounting Bracket.**

Use pliers to bend back the long, vertical flange to allow the bracket to fit flush against the back of the stove. (Fig. 21 and 23/#2) to the two center studs on the back of the stove, oriented as shown. Secure with two M6 flange nuts.

4. **Attach the Blower to the Mounting Bracket** using the two wing nuts (Fig. 23/#9).

5. **Attach the Snapstat Bracket** to the lower stud on the back of the stove, oriented as shown in fig. 23 /#7.

Slide the **small Snapstat (#6, marked F110-20)** all the way into the bracket slot between the stove and the bracket. Connect either snapstat lead to either snapstat terminal.

6. **Install the Control Box, fig. 23 /#4:**

The Control Box may be mounted to the side of the stove closest to the nearest electrical outlet.

#### Freestanding Installation-

Attach the control box to either side of the rear shroud using a 1/4" socket driver and one #8 x 12 sheet metal screw as shown in fig. 21.

#### Alcove or Hearthmount Installation -

Attach the Control Box Mounting Bracket (#5) to the back of the Control Box (#4) using two #8 x 12 sheet metal screws.

Install the M8 hex nut on the left front leg stud and engage the slotted Mounting Bracket/Control Box assembly between that nut and the leg nut. See fig. 23.

Figure 22. Blower Bracket adjustments.

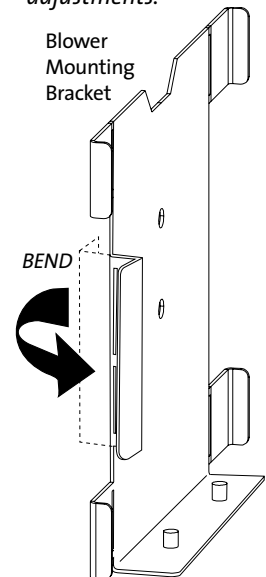
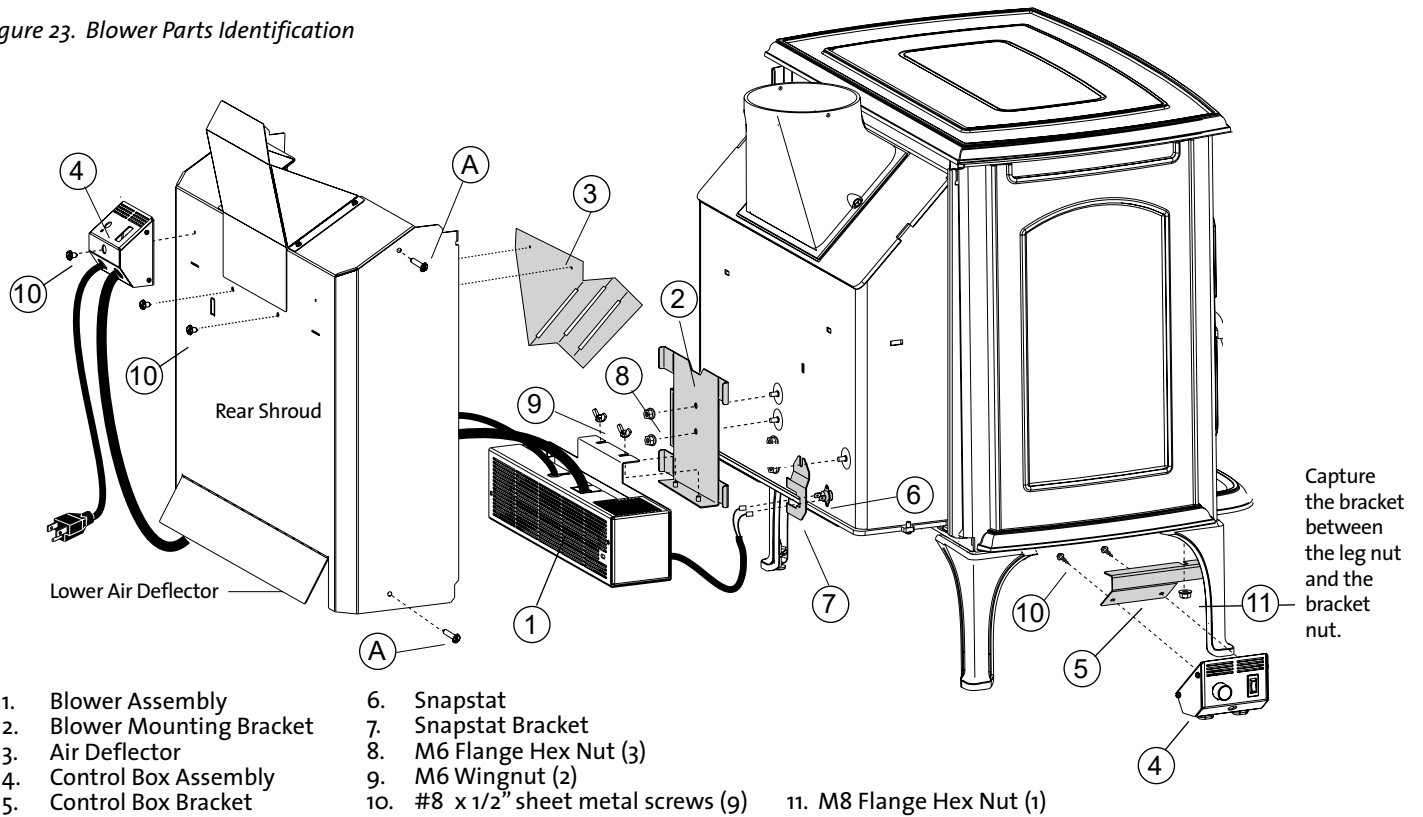


Figure 23. Blower Parts Identification



7. Bend back the Lower Air Deflector panel on the rear shroud. Reinstall the shroud by reversing the procedure in Step 1. Engage the shroud with the upper hex nuts on the back of the stove and then reinstall the socket head screws at the bottom of each side.

8. Route the power cord to the nearest electrical outlet.

**Operation**

The blower is controlled by the heat-activated snapstat that will only function when the control switch is set in AUTO. After the fire is established, the snapstat will react to the heat and activate the blower. Fan speed may be manually adjusted with the rheostat knob. The blower will shut off automatically as the stove cools down. If automatic blower circulation is not desired, place the blower control switch in the MANUAL position.

**Maintenance**

**Disconnect the blower from its power source before cleaning or servicing.**

Regular cleaning will help ensure you obtain maximum life from the blower. Use a vacuum with a soft brush attachment to clean the blower fans and motor housing at least monthly, or more frequently if there are pets in the home. Keep the area under the stove free of dust and debris.

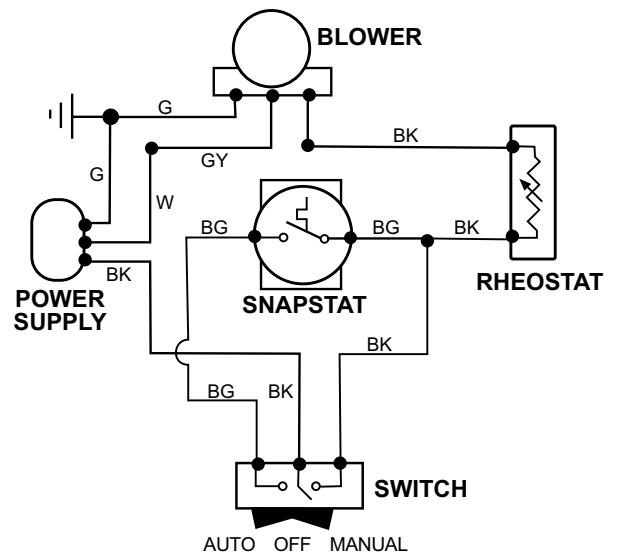


Figure 24. Blower Wiring diagram.

## 7.2 Outside Air Kit 157637

### Contents:

- Outside Air Manifold

### Tools Required:

- 10 mm and 1/4" socket drivers
- safety glasses
- work gloves

You will need to acquire the following additional components available at any hardware supplier

- Exterior Air Inlet Cover
- 4" Aluminum Duct
- Rodent Screen
- 4" Duct Clamps, 2

The exterior air inlet should not be installed at a level higher than the stove bottom.

1. **Remove Bottom Heat Shield:** Use the 10 mm socket driver or wrench to remove the four nuts and the Bottom Heat Shield from the studs in the stove bottom as shown in fig. 25. Also remove the four remaining spacer nuts from the studs.
2. **Attach the Outside Air Manifold** directly to the stove bottom using four of the nuts previously removed.
3. Use pliers to remove the air inlet cut-out from the bottom heat shield.
4. Attach the bottom heat shield to the outside air manifold using four sheet metal screws from the Outside Air Kit.

*If the bottom heat shield will not be used*, install the sheet metal screws supplied with the outside air kit to plug the associated holes in the manifold.

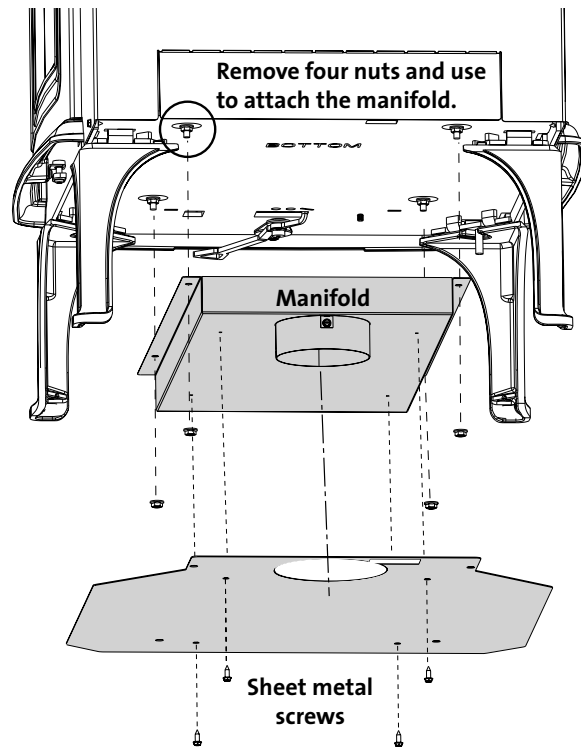


Figure 25. Outside Air Adaptor installation.

## 7.3 Short Leg Kit 157636

Approved for use only in fireplace hearth mount (existing masonry fireplace) installations.

### Contents:

- 4 1/4" Steel Legs, (4)

### Tools Required:

- 13 mm wrench or socket/ratchet
- work gloves

DO NOT LIFT THE STOVE UP BY THE ASH LIP.

1. Have an assistant tilt the stove up on one side enough to remove the cast iron legs. Fully remove the nuts from the leg studs.
2. Engage the steel leg with the mounting stud. Be certain the two locating tabs on each leg seat with the corner pockets in the stove bottom. Tighten the nuts and carefully set the stove back down.

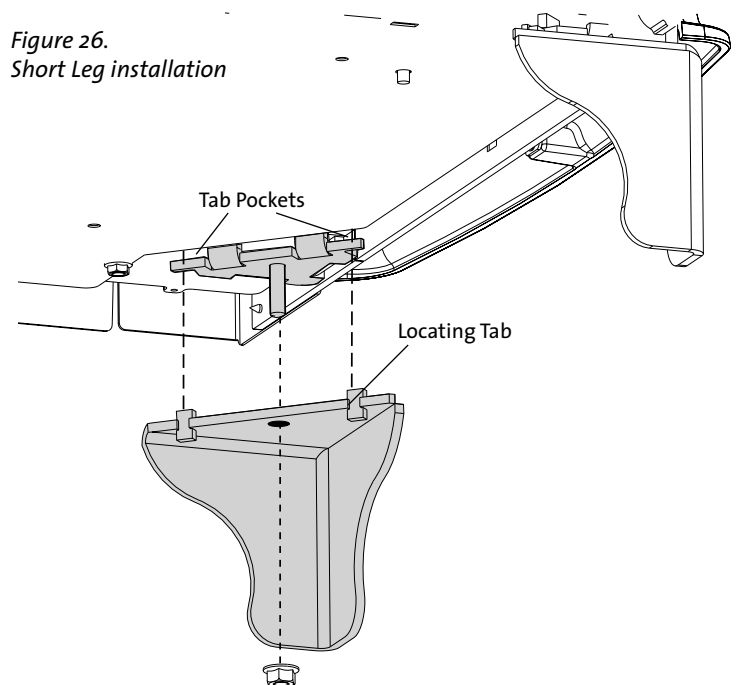


Figure 26. Short Leg installation

## 7.4 Mobile Home Floor Bracket Kit 157321

**Contents:** Floor Brackets , (2)

**Fastener Required:** 3/8" dia. lag screw

1. Determine the final location of the stove and use the leveller screws to plumb and level the stove.
2. Mount the floor brackets over the leveller screws at rear and front locations at opposite corners and secure each to the floor using a 3/8" dia. lag screw of appropriate length, (not supplied).

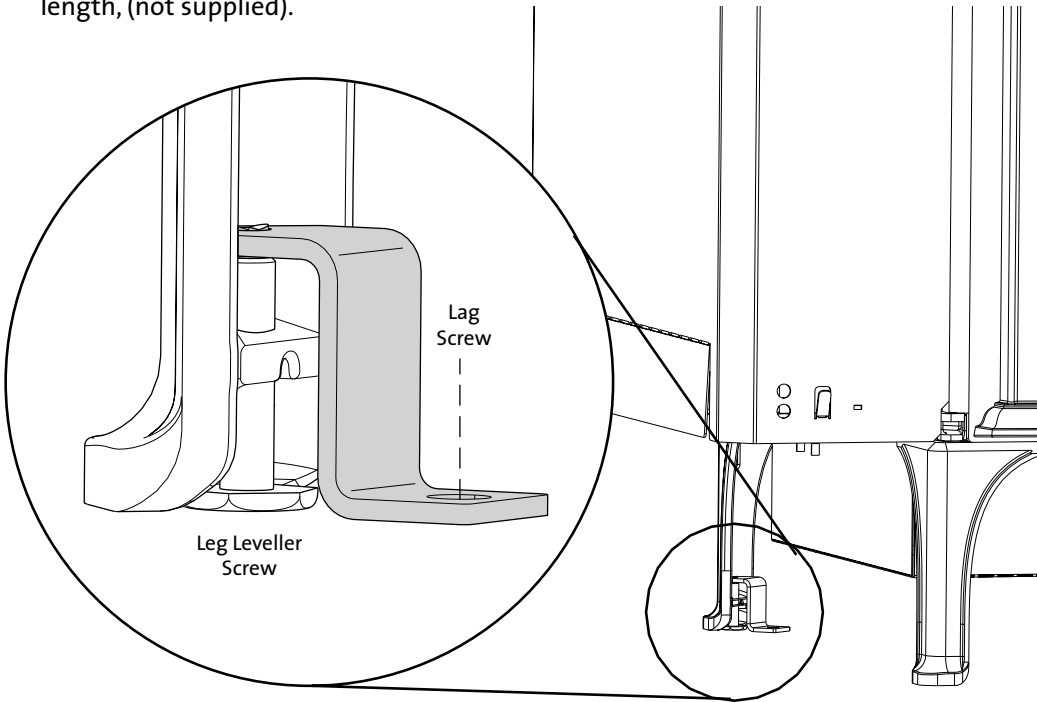


Figure 27. Floor Bracket Detail



# 8.o Jøtul F 45 Greenville Illustrated Parts

Only use replacement parts provided through your authorized Jøtul dealer.

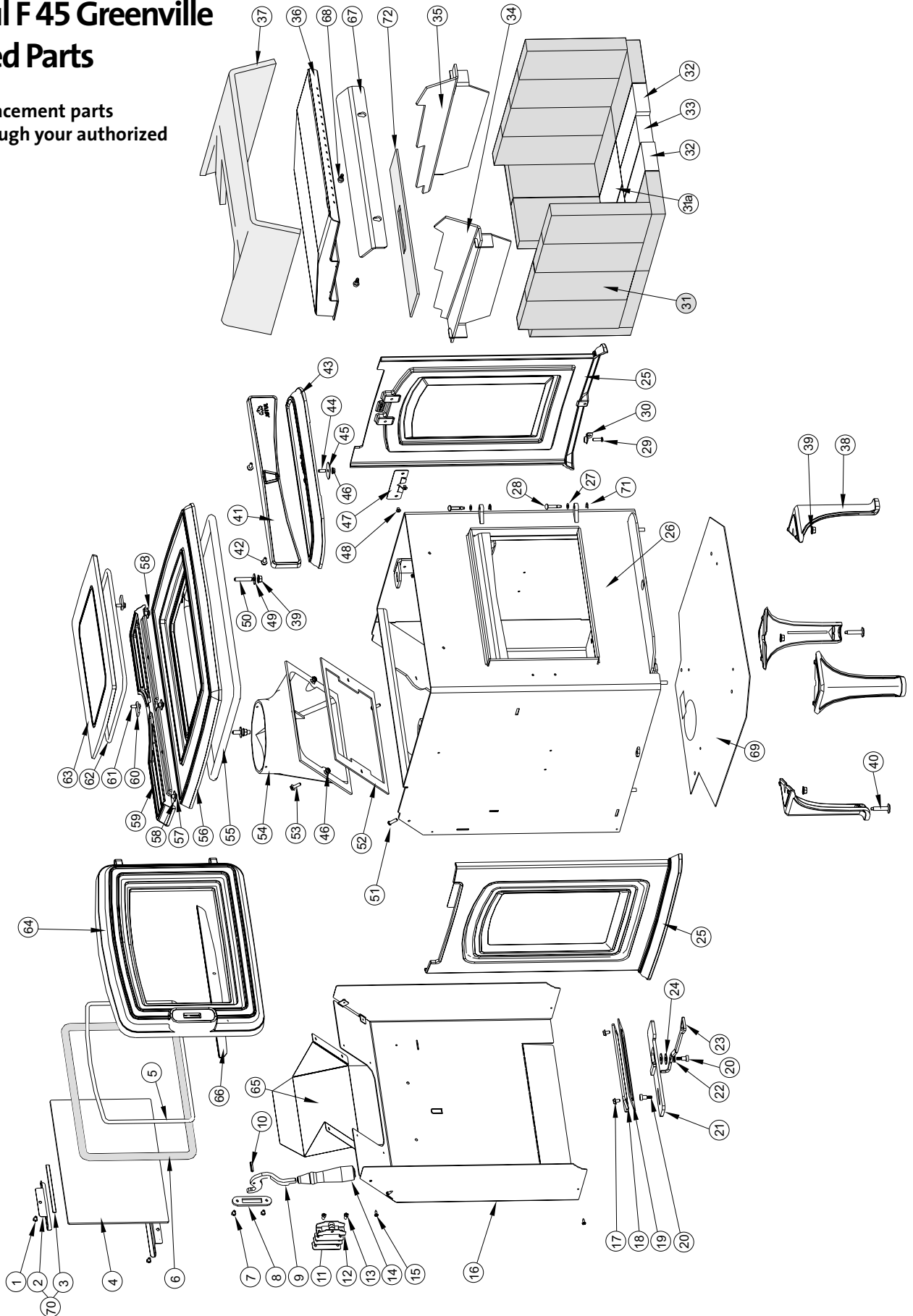


Figure 28. F 45 Greenville Illustrated Parts

## 8.1 Jøtul F 45 Greenville Part List

No.	Description	Part Number
1.	Screw, Button Head Socket - M6 x 10 Blk	117978
2.	Glass Clip, 3" (three)	157352
3.	Gasket, SA Flat	127215
4.	Door Glass, Ceramic	224923
5.	Gasket, MD .625 Ø Fiberglass Rope	223858
6.	Gasket, LD .250 Ø Fiberglass Rope	200024
7.	Screw, Button Head Socket M6 x 10 mm Blk	117978
8.	Retainer, Front Door Catch	224159
9.	Latch, Front Door	224979
10.	Roll Pin, Slotted 5mm x 24, steel	118215
11.	Shim, Door Catch	224734
12.	Door Catch	22473392
13.	Screw, Button Head Socket, M6 x 14 mm, Blk	118215
14.	Door Tool (Fall-away Handle)	157635
15.	Screw, HWH SMA 8 x 1/2 SL Blk Oxide	117917
16.	Rear Shroud, F 45	22491892
17.	Bolt, Hex Cap M6 x 10 Ser. Flange Hd	9962
18.	Inspection Cover, F 45	224924
19.	Gasket, Inspection Cover	224355
20.	Screw, Shoulder M6 x 10, 8mm dia. x 10 mm, Hex	117912
21.	Air Valve Weldment	223729
22.	Disk Spring	118249
23.	Air Valve Handle Assembly, Nickel	157391
24.	Fender Washer, 8mm, Zinc	117949
25.	Side Convection Panel Assembly	157643
26.	Firebox Assembly	224752
27.	Shim Washer	117588
28.	Hinge Pin, New Style - Nickel	125960
29.	Screw, Button Head Socket, M6 x 14 mm, Blk	118215
30.	Bottom Bracket, Cast Convection Panel	224197
31.	Refractory Brick, 4.50" x 9" x 1.25" (16)	129082
31a.	Refractory Brick, 4.50" x 8.50" x 1.25" (2, center-rear)	2211751
32.	Refractory Brick, 3" x 9" x 1.25" (2)	220518
33.	Refractory Brick, 8.5" x 3" x 1.25" (1)	221752
34.	Left Support	224919
35.	Right Support	224920

No.	Description	Part Number
36.	Baffle Weldment	224921
37.	Blanket, Ceramic Fiber	225925
38.	Leg, Steel Stoves, Matte Black	157346
39.	Nut, M8, Serrated Flange	117881
40.	Leveler Screw, M8x40 mm, (2)	118047
41.	Cast Eyebrow, Matte Black	157644
42.	Bolt, Hex Hd Serrated Flange, M6 x 16 mm, Blk	99625
43.	Ash Lip, Matte Black	157645
44.	Screw, Socket Set, M6 x 16 mm	118031
45.	Fender Washer, .250 x 1.50 dia.	118029
46.	Nut, M6 Serrated Flange, plain	117968
47.	Bracket, Top, Cast Convection Panel	226582
48.	Screw, Button Head Socket, M6 x 6 mm Blk	118170
49.	Fender Washer, 8mm - Zinc	117949
50.	Set Screw, M8 x 40 mm, Hex Socket	118245
51.	Screw, M6 x 20 Socket Button Hd (Baffle Retainer)	118097
52.	Gasket, Flue Collar	224350
53.	Bolt, Hex Hd, Serrated Flange, M6 x 20 mm	117117
54.	Smoke Outlet, Matte Black	10332692
55.	Gasket, MD .625 Ø Fiberglass Rope	223858
56.	Top Plate, Front - Matte Black	157655
57.	Screw, M8 x 8 mm Socket Button Hd	118241
58.	Fender Washer, 8 mm - Zinc	117949
59.	Top Plate, Rear - Matte Black	157646
60.	Side Clip	120120
61.	Bolt, Hex Hd Serrated Flange, M6 x 16 mm	99625
62.	Gasket, LD 250 Fiberglass Rope	200024
63.	Top Cover - Matte Black	157647
64.	Front Door - Matte Black	157648
65.	Flue Collar Heat Shield	22505392
66.	Safety Warning Plate	225093
67.	Exhaust Deflector	224922
68.	Screw, Shoulder, M6 x 1.0	118244
69.	Bottom Heat Shield	225066
70.	Glass Clip w/ gasket - 3"	157642
71.	Hinge Pin Retainer Clip	118261
72.	Rear Secondary Baffle Gasket	225021

# 10.0 Jøtul F 45 Greenville

## Warranty

Effective January 1, 2013

This warranty policy applies to wood-burning products identified by Jøtul trade names, as set forth below.

### A. LIMITED LIFETIME WARRANTY, parts only:

Jøtul North America Inc. (JØTUL) warrants, to the original retail purchaser, that those baffle and air manifold components of the Jøtul or Scan Stove or Fireplace Insert specified above will be free of defects in material and workmanship for the life of the product. This warranty is subject to the terms, exclusions and limitations set forth below.

### B. LIMITED FIVE YEAR WARRANTY - Cast Iron and Steel Components:

JØTUL warrants, to the original retail purchaser, that those components of the Jøtul or Scan Stove or Fireplace Insert specified above will be free of defects in material and workmanship for a period of five (5) years from the date of purchase. This warranty is subject to the terms, exclusions and limitations set forth below.

### C. LIMITED TWO YEAR WARRANTY - Enamel Finish:

JØTUL warrants, to the original retail purchaser, the enamel finish on cast iron components of the Jøtul Stove or Fireplace Insert specified above against peeling or fading for a period of two (2) years from the date of purchase. This warranty is subject to the terms, exclusions and limitations set forth below.

### D. LIMITED ONE YEAR WARRANTY - Electrical Components (blowers, thermostatic switches):

JØTUL warrants, to the original retail purchaser, that those components of the Jøtul or Scan Stove or Fireplace Insert specified above will be free of defects in material and workmanship for a period of one (1) year from the date of purchase. This warranty is subject to the terms, exclusions, and limitations set forth below:

JØTUL will repair or replace at its option, any of the above components determined by JØTUL to be covered by this warranty. You must, at your own expense, arrange to deliver or ship the component to an authorized Jøtul dealer and arrange for pickup or delivery of the component after repairs have been made. If, upon inspection, JØTUL determines that the component is covered by this warranty, the repair or replacement will be made as set forth above. This warranty is not transferable and is extended only to, and is solely for the benefit of, the original retail purchaser of the Jøtul Stove or Fireplace Insert. This paragraph sets forth the sole remedy available under this warranty in the event of any defect in the Jøtul Stove or Fireplace Insert.

The warranty period for any replaced component will be the remaining unexpired portion of the warranty period for the original component. Please retain your dated sales receipt in your records as proof of purchase.

### EXCLUSIONS AND LIMITATIONS

NOTICE: This warranty is void if installation or service is performed by someone other than an authorized installer or service agency, or if installation is not in conformance with the installation and operating instructions contained in this owners manual or local and/or national fire and building regulations. A listing of local authorized installers, service agencies and gas suppliers can be obtained from the National Fireplace Institute at <http://www.nficertified.org/>.

This warranty does not cover the following:

- 1) Repair or replacement of parts that are subject to normal wear and tear during the warranty period or to parts that may require replacement in connection with normal maintenance. These parts include paint, gaskets, burn plates, firebricks, fire grates, ceramic insulation blankets or glass (glass is only warranted against thermal breakage).
- 2) Damage due to incorrect installations not in conformance with the installation instructions contained in this owners manual or local and/or national fire and building regulations.

- 3) Damage, including damage to enamel surfaces, caused by improper operation, over-firing, and/or misuse. Improper operation, such as burning the stove with the ash door open, can damage the stove. Over-firing occurs when any part of the stove glows red. Over-firing can also be identified by warped plates, rust-colored cast iron, paint pigment that has turned dusty white, or bubbling, cracking and discoloration of the enamel finish. Misuse includes, without limitation, use that is not in conformance with the operating instructions contained in this owners manual.
- 4) Damage due to, or repair of, rust. Use of stove-top steamers may cause rust.
- 5) Damage due to service performed by an installer or service agency, unless otherwise agreed to in writing by JØTUL.
- 6) Damage caused by unauthorized modification, use or repair.
- 7) Costs incurred by travel time and/or loss of service.
- 8) Labor or other costs associated with the repair of components beyond the warranty period.
- 9) Damage incurred while the Jøtul Stove or Fireplace Insert is in transit.

IN NO EVENT SHALL JØTUL, ITS PARENT COMPANY, SHAREHOLDERS, AFFILIATES, OFFICERS, EMPLOYEES, AGENTS OR REPRESENTATIVES BE LIABLE OR RESPONSIBLE TO YOU FOR ANY SPECIAL, INDIRECT, INCIDENTAL, CONSEQUENTIAL, PUNITIVE OR OTHER SIMILAR DAMAGES, INCLUDING, BUT NOT LIMITED TO, LOST PROFITS, LOST SALES, INJURY TO PERSON OR PROPERTY, OR DAMAGES TO A STRUCTURE OR ITS CONTENTS, ARISING UNDER ANY THEORY OF LAW WHATSOEVER. ALL IMPLIED WARRANTIES, INCLUDING THE IMPLIED WARRANTIES OF MERCHANTABILITY AND FITNESS FOR A PARTICULAR PURPOSE, OR OTHERWISE, ARE LIMITED IN DURATION TO THE LENGTH OF THIS WRITTEN WARRANTY. EXCEPT AS EXPRESSLY SET FORTH HEREIN, JØTUL MAKES NO ORAL, WRITTEN OR OTHER WARRANTY WITH RESPECT TO JØTUL OR SCAN STOVES OR FIREPLACES.

Some states do not allow the exclusion or limitation of incidental or consequential damages, or limitations on the length of implied warranties. Therefore, the above exclusions or limitations may not apply to you. This warranty gives you specific legal rights, and you may have other rights, which vary from state to state.

JØTUL reserves the right to discontinue, modify or change the materials used to produce the Jøtul Stove or Fireplace. JØTUL shall have the right to replace any defective component with substitute components determined by JØTUL to be of substantially equal quality and price.

The dollar value of JØTULS liability for breach of this warranty shall be limited exclusively to the cost of furnishing a replacement component. JØTUL shall not in any event be liable for the cost of labor expended by others in connection with any defective component. Any costs or expenses beyond those expressly assumed by JØTUL under the terms of this warranty shall be the sole responsibility of the owner(s) of the Jøtul Stove or Fireplace Insert.

No dealer, distributor, or other person is authorized to modify, augment, or extend this limited warranty on behalf of JØTUL. NO MODIFICATION OR CHANGE TO THIS WARRANTY WILL BE EFFECTIVE UNLESS IT IS MADE IN A WRITTEN DOCUMENT MANUALLY SIGNED BY AN AUTHORIZED OFFICER OF JØTUL.

An authorized installer may have been provided with certain information related particularly to the Jøtul Stove or Fireplace Insert; however, no authorized installer or other person who may service the appliance is an agent of JØTUL. No inference should be made that JØTUL has tested, certified, or otherwise pronounced any person as qualified to install or service the appliance. JØTUL shall not be liable or otherwise responsible for any error or omission by a person installing or servicing a Jøtul Stove or Fireplace Insert.

If you believe your Jøtul or Fireplace Insert is defective, you should contact your nearest authorized Jøtul dealer, who will process a warranty claim. IN ORDER TO QUALIFY FOR WARRANTY COVERAGE, JØTUL MUST RECEIVE NOTICE OF A POSSIBLE DEFECT WITHIN SIXTY (60) DAYS OF THE DATE THE DEFECT IS FIRST DISCOVERED, OR REASONABLY COULD HAVE BEEN DISCOVERED.

This warranty is given by Jøtul North America, Inc.,  
55 Hutcherson Drive, Gorham, Maine 04038 USA

139575\_10  
September, 2019

## Quality

We appreciate your trust in welcoming our product into your home and invite your comment and appraisal of our efforts to provide you with the finest in home hearth products.

Jøtul pursues a policy of continuous product development. Products supplied may therefore differ in specification, colour and type of accessories from those illustrated and described in this manual.

### **Jøtul North America Inc.**

P.O. Box 1157  
55 Hutcherson Drive  
Gorham, Maine 04038  
USA

### **Jøtul AS**

P.O. Box 1411  
N-1602 Fredrikstad,  
Norway



[www.jotul.us](http://www.jotul.us)