



PELLET SMOKER & GRILL

Pellet fumador y parrilla

OWNER'S MANUAL/ MANUAL DEL PROPIETARIO

**ASSEMBLY AND OPERATING INSTRUCTIONS
INSTRUCCIONES DE ARMADO Y OPERACIÓN**

**SAVE THIS MANUAL FOR FUTURE REFERENCE
GUARDE ESTE MANUAL PARA REFERENCIA FUTURA**

Model / Modelo SMK0028ASO

NOTICE TO INSTALLER:
LEAVE THESE
INSTRUCTIONS WITH THE
GRILL OWNER FOR
FUTURE REFERENCE.

**AVISO PARA EL
INSTALADOR:**
ENTREGUE ESTAS
INSTRUCCIONES AL
PROPIETARIO DE LA
AHUMADOR PARA
REFERENCIA FUTURA.

⚠ WARNING / ADVERTENCIA

PLEASE READ THIS ENTIRE MANUAL BEFORE INSTALLATION AND USE OF THIS PELLET FUEL-BURNING APPLIANCE. FAILURE TO FOLLOW THESE INSTRUCTIONS COULD RESULT IN PROPERTY DAMAGE, BODILY INJURY OR EVEN DEATH. CONTACT LOCAL BUILDING OR FIRE OFFICIALS ABOUT RESTRICTIONS AND INSTALLATION INSPECTION REQUIREMENTS IN YOUR AREA. SAVE THESE INSTRUCTIONS.

LEA ESTE MANUAL COMPLETO ANTES DE LA INSTALACIÓN Y EL USO DE ESTE ARTEFACTO CALENTADOR A COMBUSTIBLE GRANULAR SI NO SIGUE ESTAS INSTRUCCIONES, PUEDE PROVOCAR DAÑOS A LA PROPIEDAD, LESIONES CORPORALES E INCLUSO LA MUERTE. COMUNÍQUESE CON LOS OFICIALES LOCALES DE CONSTRUCCIÓN O DE INCENDIOS PARA SABER LAS RESTRICCIONES Y LOS REQUISITOS DE INSPECCIÓN DE INSTALACIÓN EN SU ÁREA. CONSERVE ESTAS INSTRUCCIONES.



IMPORTANT SAFETY WARNINGS

WE WANT YOU TO ASSEMBLE AND USE YOUR SMOKER AS SAFELY AS POSSIBLE.

THE PURPOSE OF THIS SAFETY ALERT SYMBOL 

IS TO ATTRACT YOUR ATTENTION TO POSSIBLE HAZARDS AS YOU ASSEMBLE AND USE YOUR SMOKER/GRILL.
WHEN YOU SEE THE SAFETY ALERT SYMBOL, PAY CLOSE ATTENTION TO THE INFORMATION WHICH FOLLOWS!

-  READ ALL SAFETY WARNINGS AND INSTRUCTIONS CAREFULLY
BEFORE ASSEMBLING AND OPERATING YOUR SMOKER/GRILL.

WARNING

-  Do NOT use in humid or wet conditions

WARNING

1. Improper installation, adjustment, service or maintenance can cause injury or property damage.
2. Read all instructions and guidelines carefully and thoroughly before installation, use or service.
3. Failure to follow these instructions could result in fire or electrical shock.

DANGER

-  NOT for use in or on boats or recreation vehicles.

DANGER



1. Do not store or use gasoline, liquid propane or any other flammable vapors or liquids in the vicinity of this appliance.

A MAJOR CAUSE OF FIRES IS FAILURE TO MAINTAIN REQUIRED CLEARANCES (AIR SPACES TO COMBUSTIBLE MATERIALS). IT IS OF UTMOST IMPORTANCE THAT THIS PRODUCT BE INSTALLED ONLY IN ACCORDANCE WITH THESE INSTRUCTIONS.

TABLE OF CONTENTS:


| | |
|---------------------------------------|------------|
| General Warnings | 3-4 |
| Operating the Grill | 5-8 |
| Proper Care and Maintenance | 9 |
| Transporting and Storage. | 10 |
| Grill Cooking Tips. | 10 |
| Trouble Shooting | 11 |
| Assembly Instructions | 12-22 |
| Warranty Information | Back Cover |

▲ DANGER: Indicates an imminently hazardous situation which, if not avoided, will result in death or serious injury.

▲ WARNING: Be alert to the possibility of serious bodily injury if the instructions are not followed. Be sure to read and carefully follow all of the messages.

▲ CAUTION: Indicates a potentially hazardous situation which, if not avoided, may result in minor or moderate injury.

CALIFORNIA PROPOSITION 65 WARNING

 **WARNING:** This product can expose you to chemicals, including carbon monoxide, which are known to the State of California to cause birth defects or other reproductive harm.

For more information go to www.P65Warnings.ca.gov

 **WARNING: CONTAINS LEAD. MAY BE HARMFUL IF EATEN OR CHEWED. COMPLIES WITH FEDERAL STANDARDS. KEEP OUT OF REACH OF CHILDREN.**

For accessories and other products, please visit us at:
www.evenembers.com

GENERAL WARNINGS:

⚠ WARNING

When using electric appliances, basic safety precautions should always be followed including the following:

- Operate only per manufacturers instructions.
- Keep all combustible materials at least 36 inches (66 cm) away from the grill at all times. Do not use this grill under any overhang or near any combustible structures.
- Minimum clearance from side and back of unit to combustible materials, 36 inches (66 cm) from side and 36 inches (66 cm) from back.
- DO NOT use on wood decks. Set up this grill on a hard, non-combustible smooth level surface.
- In case of fire, turn the control "OFF!" Unplug the grill from the power source and allow the fire to burn out on its own. Do not use water to try to extinguish a fire.
- Keep a fire extinguisher on hand acceptable for use with electric products. Refer to your local authority to determine proper size and type.
- Creosote – Formation and need for removal. When wood pellets are burned slowly, they produce tar and other organic vapors that combine with expelled moisture to form creosote. The creosote vapors condense in a relatively cool oven flu and exhaust hood of a slow burning fire. As a result, creosote residue accumulates on the flue lining and exhaust hood. When ignited, this creosote makes an extremely hot fire.
- The grease duct should be inspected at least twice a year to determine when grease and/or creosote buildup has occurred.
- When grease or creosote has accumulated, it should be removed to reduce risk of fire.
- Do not attempt to touch cooking surfaces or other hot surfaces. Use handles or knobs.
- To protect against electric shock, do not immerse cord, plugs, or heating element in water or any other liquids.
- Never leave appliance unattended. Hot while in operation. Keep children, clothing and furniture away. Contact may cause burns.
- Unplug this grill from the power source when not in use and before cleaning. Allow appliance to cool down before attempting to clean or service.
- Do not operate any appliance with a damaged power cord or plug, or after the appliance has malfunctioned or been damaged in any manner.
- Do not use accessories or attachments not recommended by the manufacturer, as they may not be compatible with this appliance, and may cause damage or injury.
- Do not place power cord where it may come in contact with hot surfaces, or pose a tripping hazard.
- Do not use this appliance for anything other than its intended use.
- NEVER add cooking pellets to a hot fire pot by hand. You could be seriously burned. If the hopper runs out of pellets or your fire goes out while cooking, let the grill completely cool and follow the Initial Lighting Instructions.
- Use only cooking grade wood pellets. Never use heating grade wood pellets as they are not safe for cooking.
- Always store wood pellets away from heat.
- NEVER use gasoline, gasoline-type lantern fuel, kerosene, charcoal lighter fluid, or similar liquids to start or "freshen up" a fire in this appliance. Keep all such liquids well away from the appliance when in use.
- This grill is not for use indoors. Do not use inside a building, garage or any other enclosed area.
- This product is not designed for commercial use.

- This product is not designed for tabletop use. Do not set this product on a tabletop.
- Outdoor extension cords must be used with outdoor use products and are marked with suffix “W” and with the statement “Suitable for Use with Outdoor Appliances.”
- Only use a properly-grounded power source.
- Use only with a properly-grounded GFCI (Ground Fault Circuit Interrupter) household circuit.
- Do not operate this product in rain or wet conditions. Do not allow this product to come in contact with water. Set this product up more than 10’ from any large body of water (swimming pool, lake, pond, etc).
- CAUTION - To reduce the risk of electric shock, keep extension cord connection dry and off the ground.
- Never alter or remove the grounding plugs on the power cord or household outlet.
- Disconnect electric cord from outlet before cleaning.
- Keep appliance clean. See Proper Care and Maintenance section for cleaning.
- Do not operate this grill while under the influence of drugs, alcohol, or while fatigued.
- Do not use in the presence of explosive or flammable gases, vapor or other substances.
- Do not use this grill unless it is completely assembled and all parts are securely fastened and tightened.
- Use only identical replacement parts.
- Do not use this product in high winds.
- Do not attempt to move this appliance while it is in use.
- Always open the grill lid carefully - heat and steam trapped inside the lid can burn.
- Do not use this product for indoor heating, as toxic fumes will accumulate.
- After a period of storage, inspect the grill for abrasion, wear, cuts, or damage to the temperature controller and power cord.
- Always use a meat thermometer to ensure food is cooked to a safe temperature.
- Keep grill covered when not in use - out of the reach of children. Do not clean this product with a water spray or the like.
- Unplug from outlet when not in use and before cleaning. Allow to cool before putting on or taking off parts.
- Do not operate any appliance with a damaged cord or plug or after the appliance malfunctions or is dropped or damaged in any manner.

Follow these guidelines to prevent this colorless, odorless gas from poisoning you, your family or others.

- Know the symptoms of carbon monoxide poisoning; headache, dizziness, weakness, nausea, vomiting, sleepiness and confusion. Carbon monoxide reduces the blood’s ability to carry oxygen. Low blood oxygen levels can result in loss of consciousness and death.
- See a doctor if you or others develop cold or flu-like symptoms while cooking or in the vicinity of this appliance. Carbon monoxide poisoning, which can easily be mistaken for a cold or flu, is often detected too late.
- Alcohol consumption and drug use increase the effects of carbon monoxide poisoning.
- Carbon monoxide is especially toxic to mother and child during pregnancy, infants, the elderly, smokers and people with blood or circulatory system problems, such as anemia or heart disease.

⚠ USE CAUTION AND COMMON SENSE WHEN OPERATING YOUR PELLET SMOKER & GRILL. FAILURE TO ADHERE TO THE SAFETY WARNINGS AND GUIDELINES IN THIS MANUAL COULD RESULT IN SEVERE BODILY INJURY OR PROPERTY DAMAGE. SAVE THIS MANUAL FOR FUTURE REFERENCE.

OPERATING THE GRILL:

⚠ WARNING

Read and follow all warnings and instructions contained in the preceding sections of this manual.

BREAKING IN YOUR GRILL:

- In manufacturing and preserving the components of your grill, oil residue may be present on the cooking surfaces of your grill.
- Before cooking on your grill for the first time you should follow “Initial Lighting Instructions” to ensure the auger is fully charged with pellets.

PREHEATING GRILL:

- Prior to use, it is recommended that you preheat your grill. This ensures that the grilling surfaces are at the desired temperatures to sear the food sugars when cooking. Preheat the grill for 10 to 15 minutes or until it reaches the desired temperature before adding food. Close the lid during the preheat period.

⚠ WARNING

- **DO NOT leave your grill unattended while in use.**
- **DO NOT move grill when in use. Block wheels in place to stabilize grill.**
- **DO NOT use water to extinguish flare-ups.**

IF AN EXTENSION CORD IS NECESSARY:

- Use a CSA or UL approved 3-prong grounded extension cord that is rated for at least 7-10 Amp and is marked as suitable for outdoor use.
- Keep the power cord connection dry and off of the ground.
- Avoid running the power or extension cord across walkways, driveways, or anywhere where it could pose a tripping hazard.

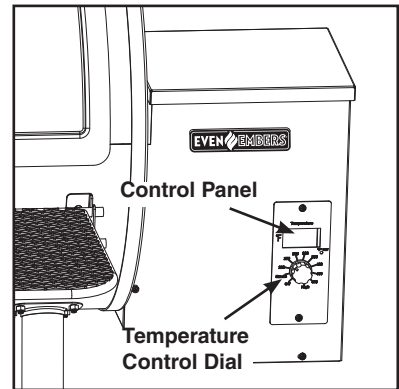
TURNING ON THE GRILL:

Initial Lighting Instructions (To be used on initial firing or anytime the grill runs out of pellets)

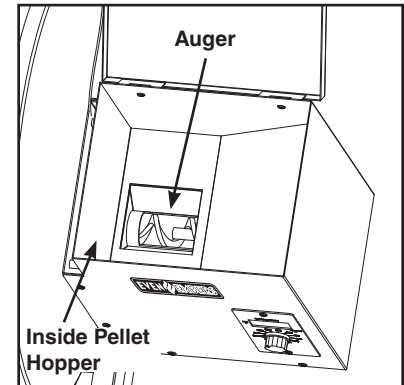
Always allow the auger tube to fully load with pellets to ensure proper lighting of the grill.

- Step 1** Open lid to cooking chamber and remove cooking grills, grease tray and heat baffle from inside the grill. Leave door open.

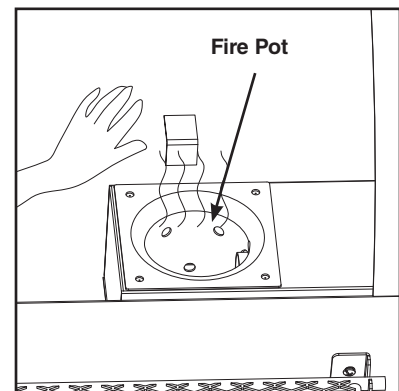
- Step 2** Make sure temperature control knob is “OFF”. Plug power cord into a GFCI (grounded) outdoor electrical outlet.
- Step 3** Open the pellet hopper lid. Make sure the auger is free from debris and other objects. Turn the temperature control knob to “SMOKE”.
- Step 4** In the cooking chamber, place your hand about 3” above the fire pot and make sure you can feel air blowing out from the fire pot.



- Step 5** Look inside the fire pot and make sure the heating element is getting hot. It will take a couple of minutes for the element to glow red. **DO NOT TOUCH THE HEATING ELEMENT!** Turn temperature control knob to “OFF”.
- Step 6** Fill the pellet hopper with cooking pellets. **NEVER USE HEATING FUEL PELLETS AS THEY ARE NOT SAFE FOR COOKING.**



- Step 7** Turn the temperature control knob to “SMOKE”
- NOTE:** During the initial loading of the auger tube, it will take approximately 5 minutes for the pellets to move from the pellet hopper to the fire pot.



- Step 8** When the pellets start falling into the fire pot, turn the temperature control knob to “OFF”.
- Step 9** Replace heat baffle, grease tray and cooking grills into the cooking chamber.
- Step 10** Keep the cooking chamber lid open. Turn temperature control knob to “SMOKE”. You should see smoke coming out of the cooking chamber as the pellets ignite in about 2 minutes.

- Step 11** Close cooking chamber lid and set the temperature control knob to the desired setting. See note below for curing process.

NOTE: Curing the grill is highly recommended before first use. Close cooking chamber lid and set temperature control knob to “HIGH” and allow grill to cure for 45 minutes. This will burn off any oil or paint residue inside the cooking chamber before cooking for the first time.

SUBSEQUENT LIGHTING INSTRUCTIONS:

- Step 1** Open pellet hopper lid and check the pellet level. Add more pellets if necessary.
- ⚠ WARNING:** NEVER add cooking pellets to a hot fire pot by hand. You could be seriously burned.

Step 2 Open cooking chamber lid and turn temperature control knob to “SMOKE”. You should see smoke coming out of the cooking chamber as the pellets ignite in about 2 minutes.

NOTE: Always start the grill on “SMOKE” setting with the cooking chamber lid open.

Step 3 Close cooking chamber lid and set the temperature control knob to the desired setting. For best results, preheat the grill for 10 to 15 minutes with the lid closed before placing food in the grill.

Follow these steps if the grill does not ignite or if the fire in the fire pot goes out while cooking:

Step 1 Turn the temperature control knob to “OFF” and unplug. Open cooking chamber lid and remove all food, cooking grills, grease tray and heat distribution plate.

⚠ CAUTION: Some parts may contain sharp edges. Wear protective gloves if necessary.

⚠ WARNING: Always use oven mitts/gloves to protect your hands. Metal parts become hot during use. Use extreme caution when handling cooking grills, grease tray and baffle.

Step 2 Remove all unburned pellets and ash from inside and around the fire pot.

Step 3 Restart the grill and check that the ignition cycle is working. The heating element should turn red after 1-2 minutes and pellets should be falling into the fire pot from the auger tube.

Step 4 Wearing oven mitts/gloves, replace the baffle, grease tray and cooking grills.

Step 5 Preheat the grill for 10 to 15 minutes with the lid closed before placing food back in the grill. If this procedure is not successful, see Trouble Shooting section in your owner’s manual.

TURNING OFF THE GRILL:

- Turn the temperature control knob to “OFF”. An auto cool down feature will keep the fan running for several minutes.
- Unplug the power cord from the wall outlet.

⚠ WARNING: NEVER add cooking pellets to a hot fire pot by hand. You could be seriously burned. If the hopper runs out of pellets or your fire goes out while cooking, let the grill completely cool and follow the Initial Lighting Instructions.

COOKING:

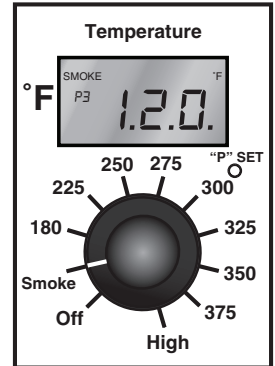
- Set temperature controller to desired level and allow temperature to be reached.
- Place food on cooking grill.
- With lid open or closed, cook until desired internal temperature is reached.
- Use caution when removing food from Pellet Fuel Grill. All surfaces are HOT and may cause burns. Use protective gloves or long, sturdy cooking tools to remove food.
- Pellet Fuel Grill is HOT while in use and will remain HOT for a period of time afterwards. Use caution.

OPERATING TIPS:

- Your Even Embers Pellet Smoker & Grill® should never be moved while it is hot. If you are transporting your grill in a vehicle after cooking on it, make sure the fire is completely out and the grill is cold before placing it in any vehicle. NEVER put water into the fire pot. It will jam the auger.
- The Even Embers Pellet Smoker & Grill® is designed to operate with the lid closed. Cooking with the lid open greatly lengthens your cooking time.
- Make sure the heat baffle is properly seated on its locating brackets. The long legs of the heat baffle should be pointing down over the fire pot. If not seated properly, direct heat and flame could come up out of the fire pot and cause a grease fire in the grill.
- Smoke stack cap can be adjusted up or down to provide additional temperature and smoke control.

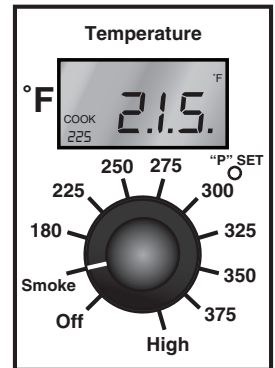
SMOKE MODE:

- The “SMOKE” settings is for smoking and adding smoke flavor to foods being cooked.
- Smoke Mode can be adjusted from P0 to P4. P0 provides less smoke into the cooking chamber and can be adjusted up to P4 for maximum smoke. P2 is the normal factory setting.
- Adjusting the smoke mode to a higher setting will cause more fluctuation in the temperature of the cooking chamber.
- Turn the temperature control knob to smoke. To adjust the P setting press the “P” set button to change the P setting.



COOK MODE:

- The temperature dial can be changed at any time to increase or decrease the cooking temperature of the grill.
 - The 325°F to “HIGH” temperature settings are for grilling.
 - The 180°F to 300°F temperature settings are for slow cooking.
- Adjust the control knob to a desired temperature. The selected temperature will be in the bottom left hand corner of the digital display.
- Adjusting the smoke mode to a higher setting will cause more fluctuation in the temperature of the cooking chamber.



ERROR CODES:

- “8.8.8.” – Display will flash for 1-2 seconds when first plugged into power outlet. This is normal, not an indication of a problem.
- “ErP” – Error Power will occur when grill is plugged into power outlet and the temperature control knob is not in “OFF” position.
- “. . .” – Flashing Dots indicate that the igniter is “ON”. The igniter will stay on for 5 minutes and then go off.
- “ErH” – High Temp Limit indicates that the temperature in the cooking chamber has exceeded 565°F.
- “Err” – Thermocouple may be unhooked or damaged.



PROPER CARE & MAINTENANCE:

- Remove wood pellets from hopper if grill will not be used for a long period of time. Wood pellets can become soggy due to moisture/humidity and can cause the auger to bind up or not push pellets to burn chamber.
- Disposal of ashes – Ashes should be placed in a metal container with a tight-fitting lid. The closed container of ashes should be placed on a non-combustible floor or on the ground, well away from all combustible materials, pending final disposal. When the ashes are disposed by burial in soil or otherwise locally dispersed, they should be retained in the closed container until all cinders have thoroughly cooled.
- To protect your grill from excessive rust, the unit must be kept clean and covered at all times when not in use.
- Wash cooking grills and heat distribution plate with hot, soapy water, rinse well and dry. Lightly coat cooking grill with vegetable oil or vegetable oil spray.
- Clean inside and outside of grill by wiping off with a damp cloth. Apply a light coat of vegetable oil or vegetable oil spray to the interior surface to prevent rusting.
- Never apply paint to the interior surface. Rust spots on the interior surface can be buffed, cleaned, the lightly coated with vegetable oil or vegetable oil spray to minimize rusting.
- Depending on use, periodically remove the cooking grills, grease tray and heat distribution plate to clean the ash from in and around the fire pot. A shop-vac is handy for this chore. Make sure the grill is cold before starting this procedure.

HELPFUL HINTS:

- If you pre-cook meat or poultry, do so immediately before grilling.
- Never defrost meat at room temperature or on a counter top.
- Refrigerate leftovers within 2 hours of taking food off the grill.
- For additional information, please phone the USDA's toll free Meat & Poultry Hotline at 800-535-4555.

CLEANING AND MAINTENANCE:

- Keep the appliance free and clear of combustible materials, gasoline and other flammable vapors and liquids.
- For safe grilling and peak performance of your grill, perform these checks at least twice per year or after extended periods of storage.
- Be sure to tighten up all hardware (nuts, bolts, screws, etc.) at least twice per year.
CAUTION: Some parts may contain sharp edges. Wear protective gloves if necessary.
- Remove the cooking grills, from inside your grill. Use a brush with hot water and detergent to remove excess residue. NEVER use a commercial oven cleaner. Rinse completely with water. Towel dry and replace all components as described in the assembly instructions.

COOKING GRILLS:

- Clean with mild soap detergent and water. Use a grill cooking grate brush to remove residue from the porcelain coated surfaces. The steel wire can cause the finish to chip or crack. DO NOT use a commercial oven cleaner.

TRANSPORTING AND STORAGE:

WARNING

- **Never move a grill when it is hot or when objects are on the cooking surfaces.**
- **Never store flammable liquids or spray canisters under or near the grill.**
- **DO NOT extinguish grease fires using water.**

BEFORE STORING YOUR GRILL:

- Clean all surfaces.
- If storing the grill outdoors, close the wood pellet lid and cover the grill with a grill cover for protection from the weather.
- If the grill is stored outside during the rainy season, care should be taken to ensure that water does not get into the pellet hopper. Wood pellets, when wet, expand greatly and will jam your auger.

GRILL COOKING TIPS:

CLEANLINESS:

- Always wash hands thoroughly with soap and hot water prior to handling food and after handling raw meat, uncooked poultry or seafood.
- When using a platter to carry raw meat, uncooked poultry or seafood to the grill, make sure to wash the platter thoroughly with soap and hot water before placing cooked foods back on the platter or use different platters for raw and cooked foods.
- Never use the same utensils when handling raw meat, uncooked poultry or seafood unless you wash the utensils thoroughly with soap and hot water.
- Never re-use marinade from raw meat or uncooked poultry on foods that have been cooked and are ready to be served.

GRILLING TO PROPER TEMPERATURE:

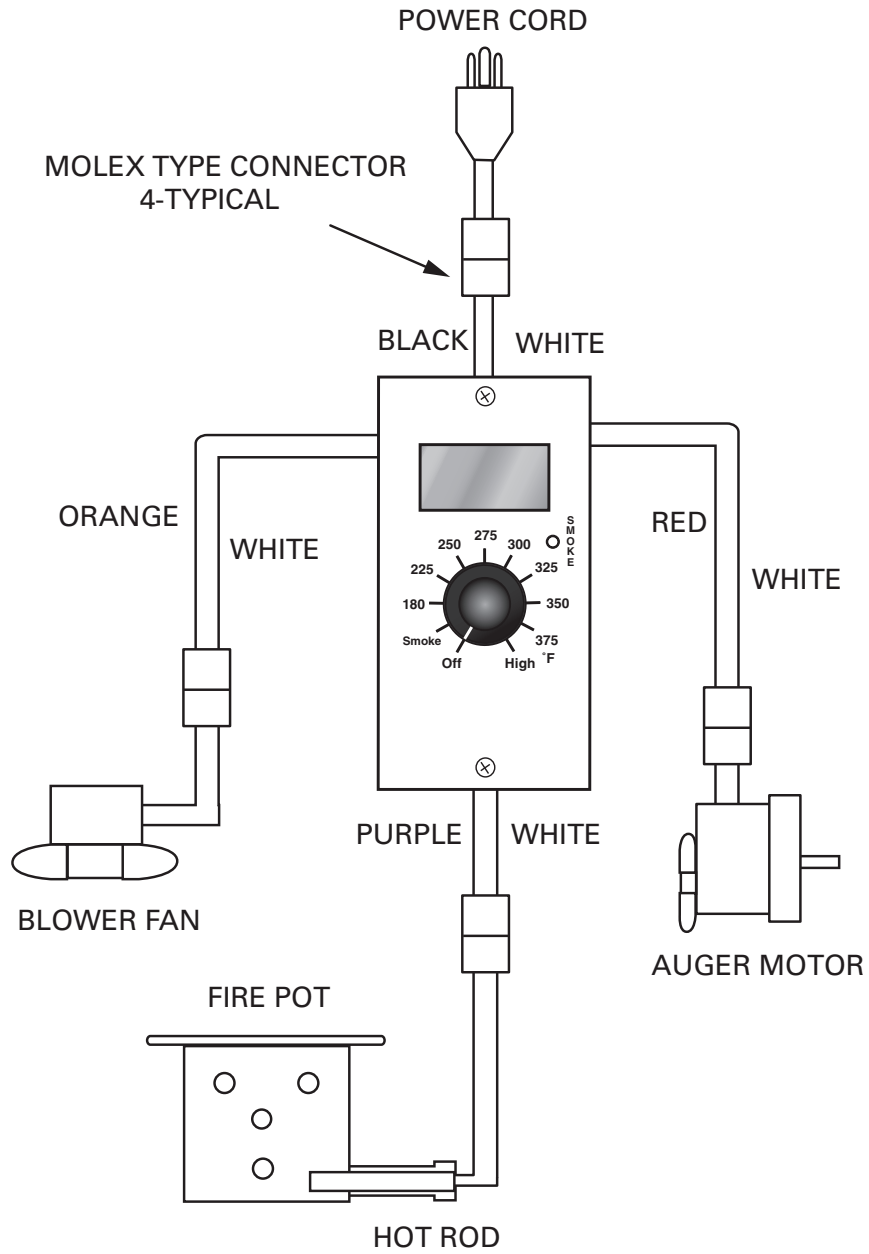
- Use a meat thermometer to be sure food has reached a safe internal temperature.
- The US Department of Agriculture recommends the minimum temperature be reached for the following food items:

| | |
|--------------------------|-------------------------|
| Chops | 145 degrees F (62.8° C) |
| Ground Meat | 160 degrees F (71° C) |
| Pork | 145 degrees F (62.8° C) |
| Poultry | 165 degrees F (73.9° C) |
| Roasts | 145 degrees F (62.8° C) |
| Seafood | 145 degrees F (62.8° C) |
| Vegetables | 145 degrees F (62.8° C) |

TROUBLE SHOOTING:

| PROBLEM | CAUSE | CORRECTION |
|--|--|--|
| Electric element will not heat up | <ol style="list-style-type: none"> 1. Check that the 3-wire plug is fully seated into a 3-wire grounded GFCI outlet wired for 120 volts. 2. Check the breakers or fuses for the outlet being used are not open or blown. 3. Check that the GFCI outlet has not been tripped. 4. Electric element only heats up (becomes red) during the first 5 minutes after power switch is turned on. 5. Fuse-Blown. | <ol style="list-style-type: none"> 1. Reseat plug in a 3-wire grounded GFCI outlet wired for 120 volts. 2. Reset breakers or replace fuse. 3. Reset GFCI outlet. 4. Turn Power switch "Off" then "Smoke" again. 5. Replace max fuse size: 5mm x 20 mm, 5 amps. |
| Grill is not getting hot enough | <ol style="list-style-type: none"> 1. Adjust temperature control on temperature controller. 2. Avoid the temptation to check food too often. 3. Verify that there are pellets in pellet hopper. 4. Fire goes out on "SMOKE" setting. | <ol style="list-style-type: none"> 1. Turn up heat on control dial. 2. Opening the door allows heat to escape and slows the cooking process; open door only when necessary. 3. Add pellets and allow sufficient time for the pellets to travel from the pellet hopper to the fire pot (can take up to 7 minutes). 4. Excess ash. IMPORTANT: Remove all unburned pellets and ash from inside and around the fire pot. A shop-vac is ideal for the task CAUTION! ASSURE THAT THE GRILL IS COLD TO AVOID A FIRE FROM HOT ASH. |
| Grill is getting too hot | <ol style="list-style-type: none"> 1. Adjust temperature control. | <ol style="list-style-type: none"> 1. Turn down heat on temperature control dial. |
| Smoke comes out of smoker box | <ol style="list-style-type: none"> 1. This is normal due to the air pressure inside the smoker. The amount of smoke can vary depending on cooking conditions. | <ol style="list-style-type: none"> 1. This condition will not affect cooking. |
| Temperature or digital display does not match "set" temperature | <ol style="list-style-type: none"> 1. When first lighting smoker, it takes 15 minutes or so for temperature to stabilize. 2. When adjusting temperature, it takes 15 minutes or so for temperature to stabilize. | <ol style="list-style-type: none"> 1. Wait 15 minutes or so for temperature to stabilize. |

WIRING DIAGRAM:



NOTE: FUSE IS LOCATED ON BACK OF CONTROL.
Maximum Fuse Size: 5mm x 20 mm, 5 amps

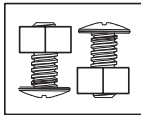
ASSEMBLY INSTRUCTIONS:

Make sure you have all items listed under PARTS LIST and PARTS CARD CONTENTS before you begin the installation process.

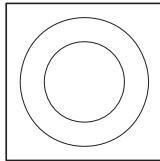
PARTS CARD CONTAINS:

- (2) M4 x 10mm Bolts & M4 Nuts
- (2) M12 Wheel Nuts
- (2) M12 Wheel Washers
- (32) M6 Nuts
- (44) M6 x 12mm Bolts
- (20) M6 Lock Washers

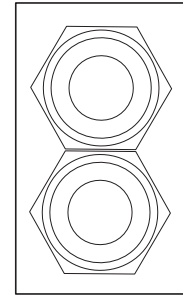
M4 x 10mm Bolts &
M4 Nuts - 2pcs



Wheel Washers - 2pcs



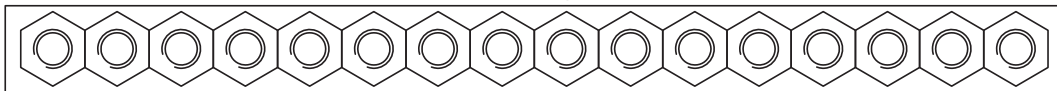
M12 Wheel Nuts - 2pcs



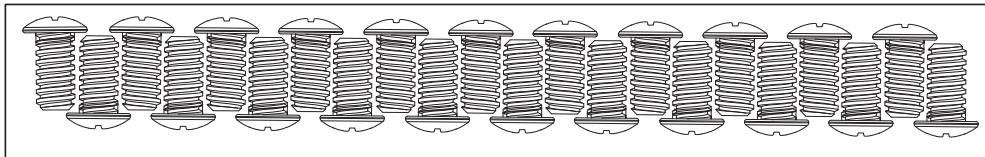
M6 Lock Washers - 20pcs
Cart Base and Legs



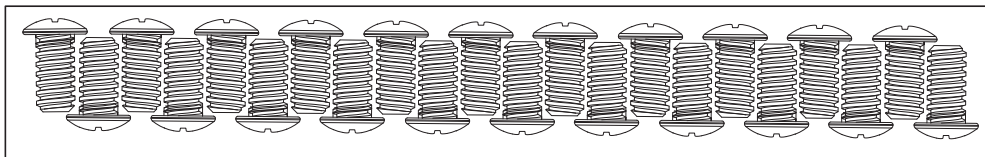
M6 Nuts - 32pcs



M6 x 12mm Bolts - 22pcs



M6 x 12mm Bolts - 22pcs



**⚠ READ ALL SAFETY WARNINGS & INSTRUCTIONS CAREFULLY
BEFORE ASSEMBLING AND OPERATING YOUR EVEN EMBERS® PELLET SMOKER & GRILL.**

*FOR MISSING PARTS, PLEASE CALL CUSTOMER SERVICE AT 855-735-9922.
(Proof of purchase will be required.)*

The following tools are required to assemble your Even Embers® Pellet Smoker & Grill:

- **Phillips Screwdriver**
- **Wrench**

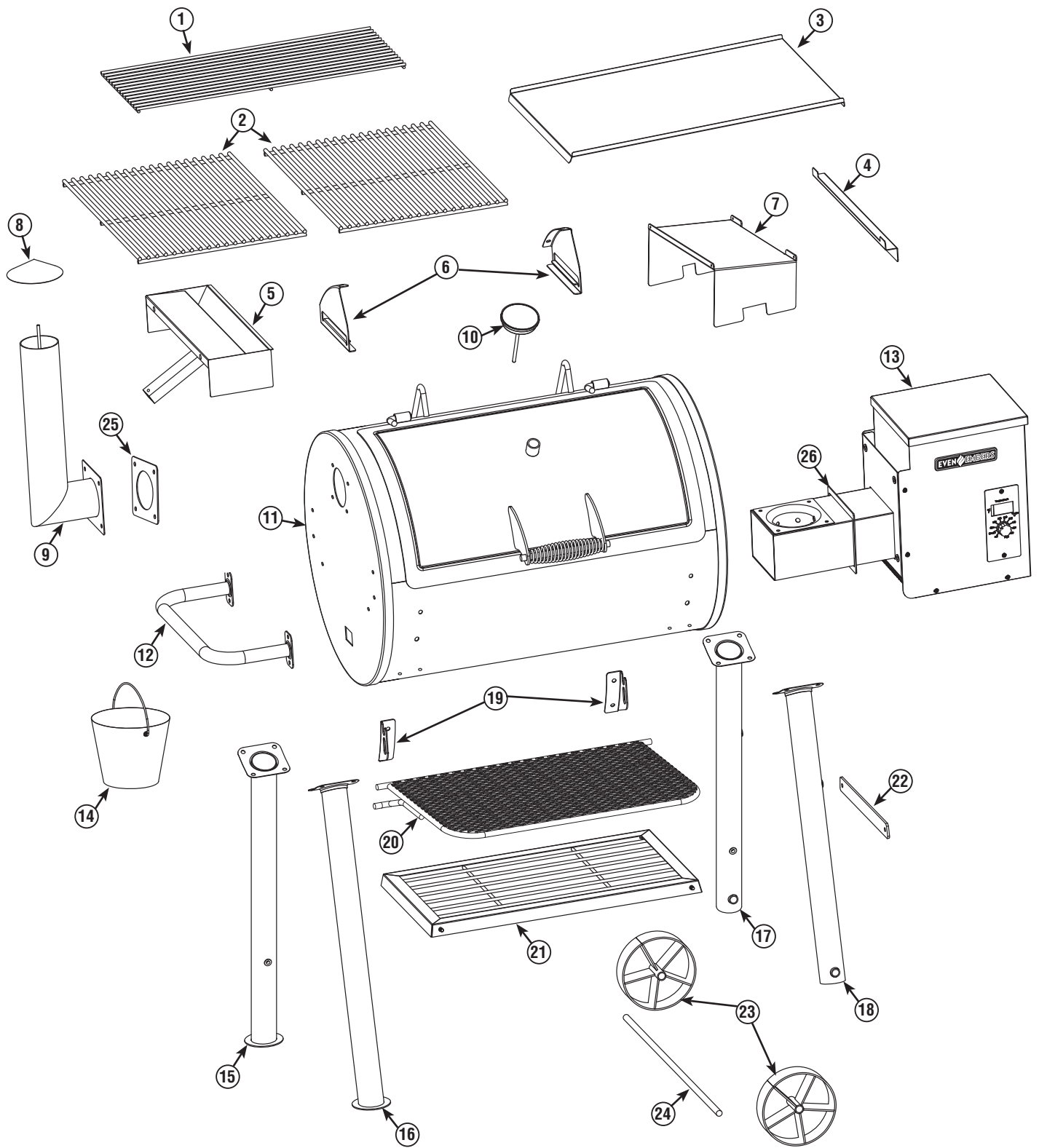
PARTS LIST:

- | | | | |
|---|-------------------------------|---|--------------------------------|
| ① | 1 Warming Rack | ⑭ | 1 Grease Bucket |
| ② | 2 Cooking Grates | ⑮ | 1 Left Rear Leg |
| ③ | 1 Grease Tray | ⑯ | 1 Left Front Leg |
| ④ | 1 Right Side Mounting Bracket | ⑰ | 1 Right Rear Leg |
| ⑤ | 1 Grease Drainage Tray | ⑱ | 1 Right Front Leg |
| ⑥ | 2 Warming Rack Brackets | ⑲ | 2 Front Shelf Mounting Bracket |
| ⑦ | 1 Heat Baffle | ⑳ | 1 Front Shelf |
| ⑧ | 1 Chimney Cap | ㉑ | 1 Bottom Shelf |
| ⑨ | 1 Chimney | ㉒ | 1 Leg Bracket |
| ⑩ | 1 Temperature Gauge | ㉓ | 2 Wheels |
| ⑪ | 1 Grill Body Assembly | ㉔ | 1 Wheel Axle |
| ⑫ | 1 Side Handle | ㉕ | 1 Chimney Gasket |
| ⑬ | 1 Pellet Hopper Assembly | ㉖ | 1 Pellet Hopper Gasket |

FOR COVERS, ACCESSORIES AND OTHER PRODUCTS, PLEASE VISIT US ONLINE AT:

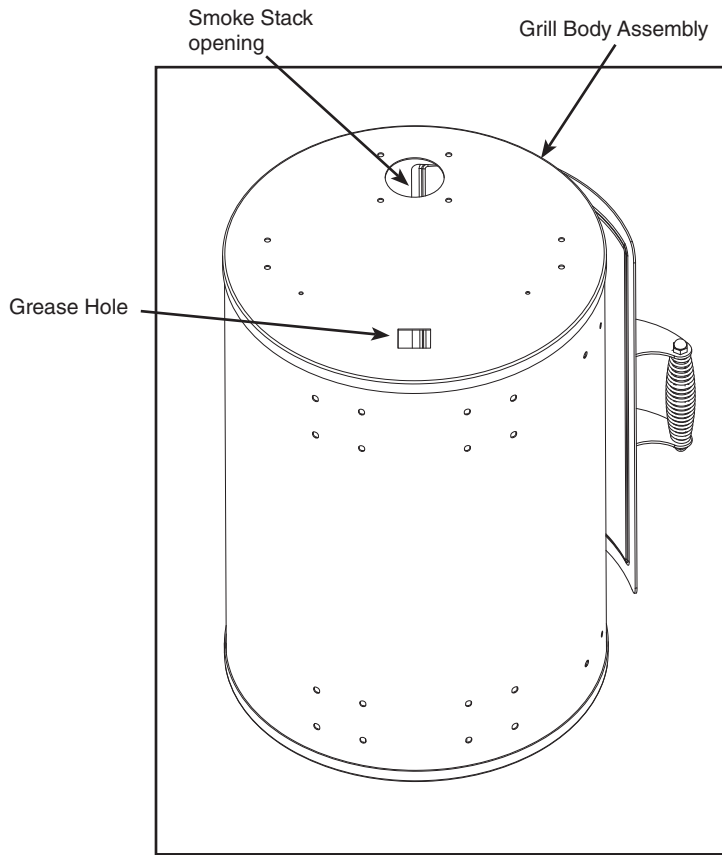
www.evenembers.com

Inspect contents of the box to ensure all parts are included and undamaged.



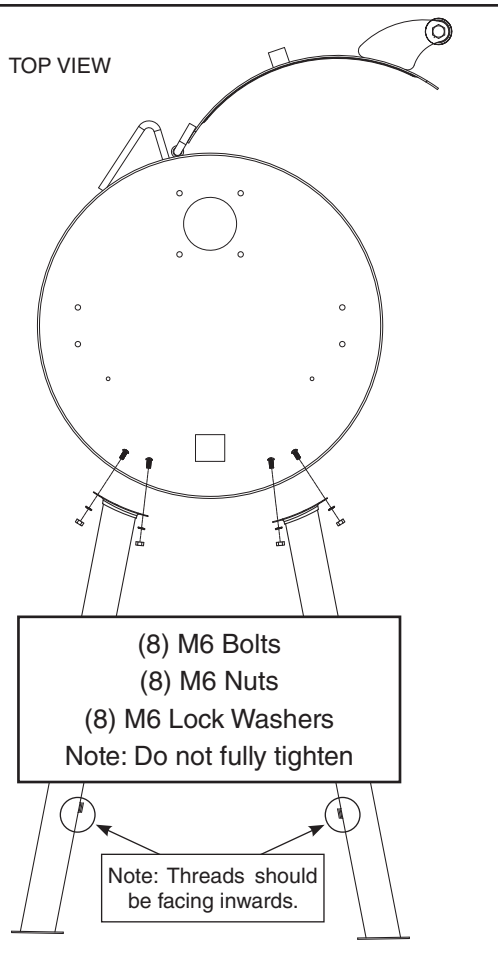
1

Place grill body on its end with the lid open as illustrated.

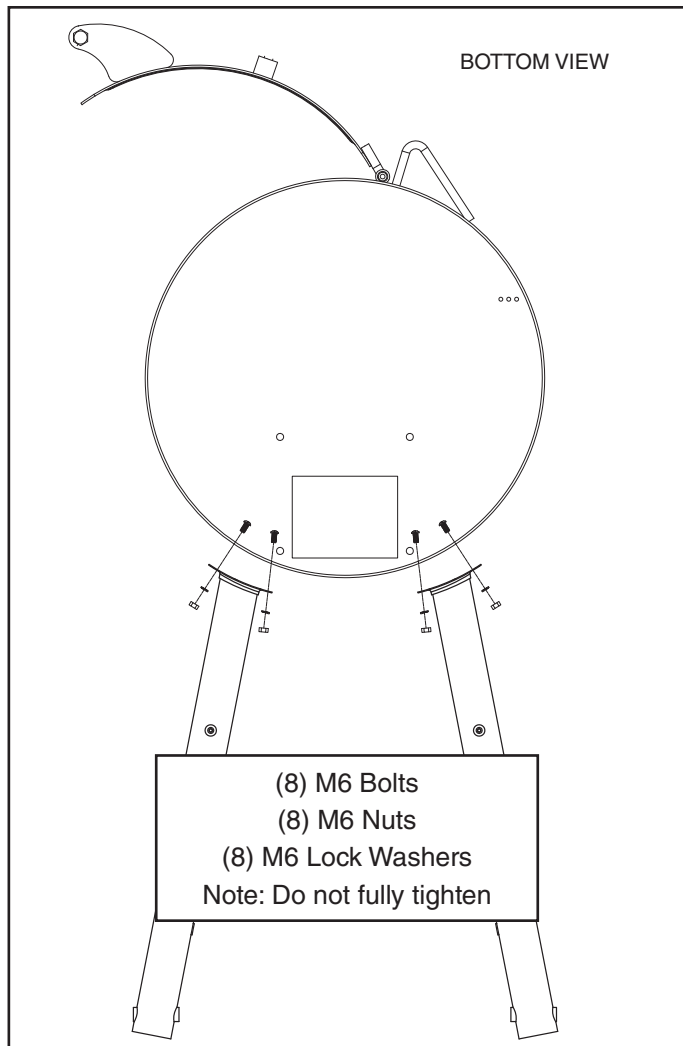


2

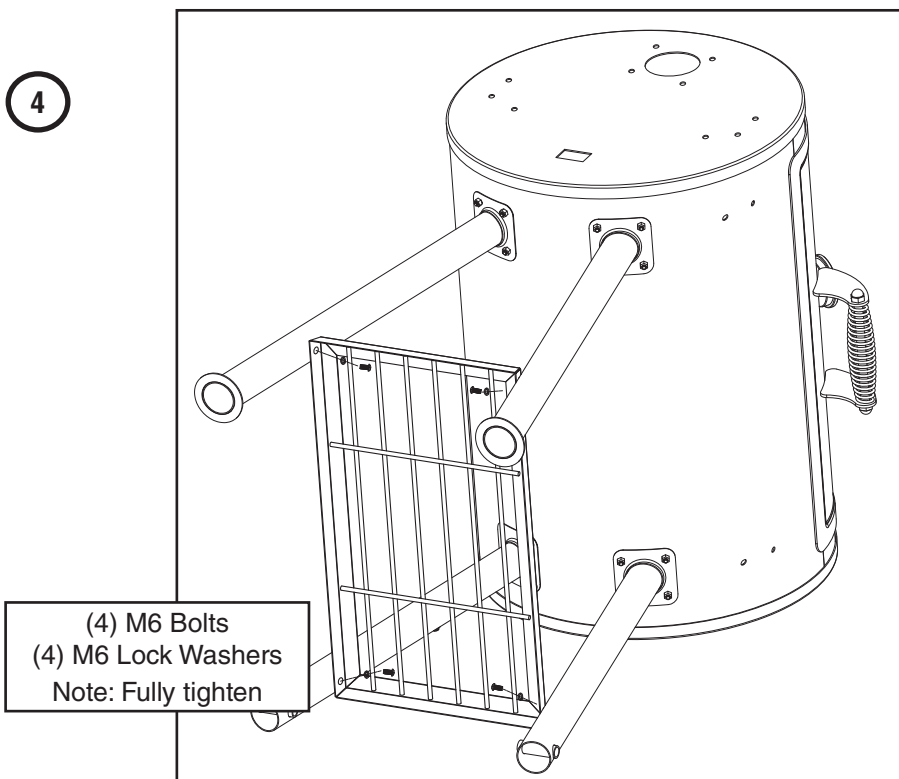
TOP VIEW



3

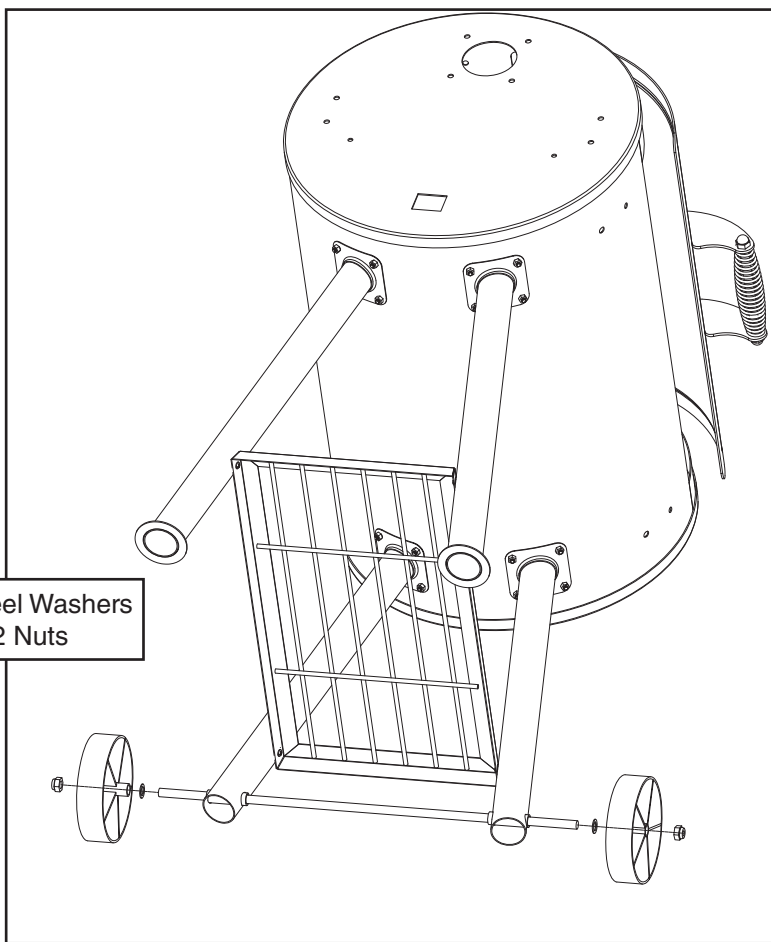


4



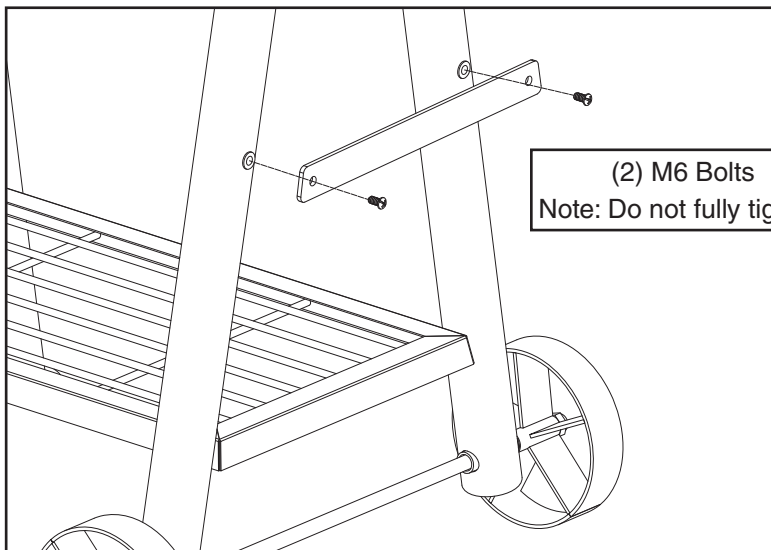
5

(2) M12 Wheel Washers
(2) M12 Nuts



6

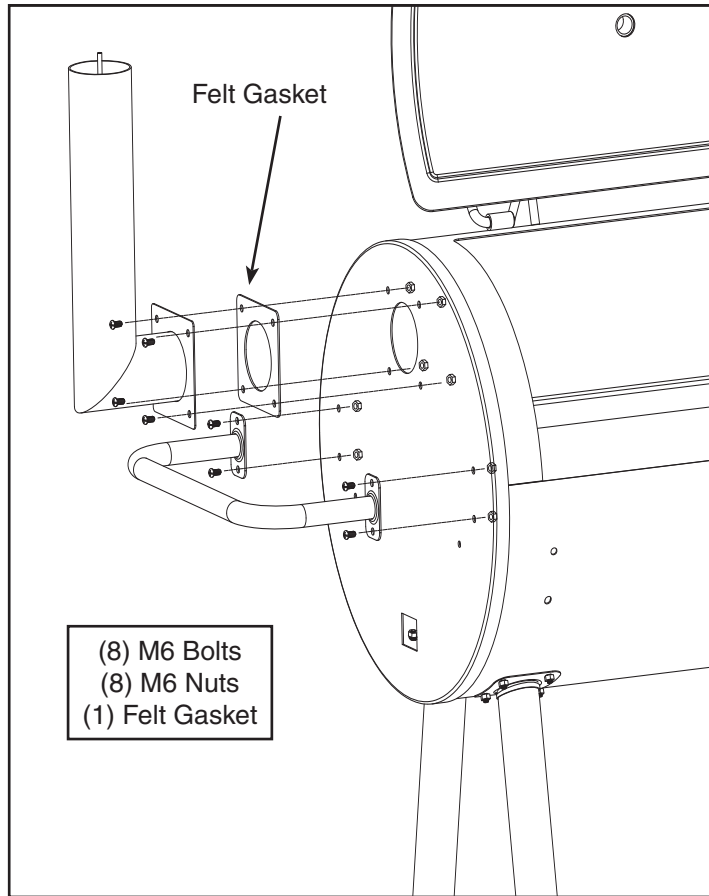
(2) M6 Bolts
Note: Do not fully tighten



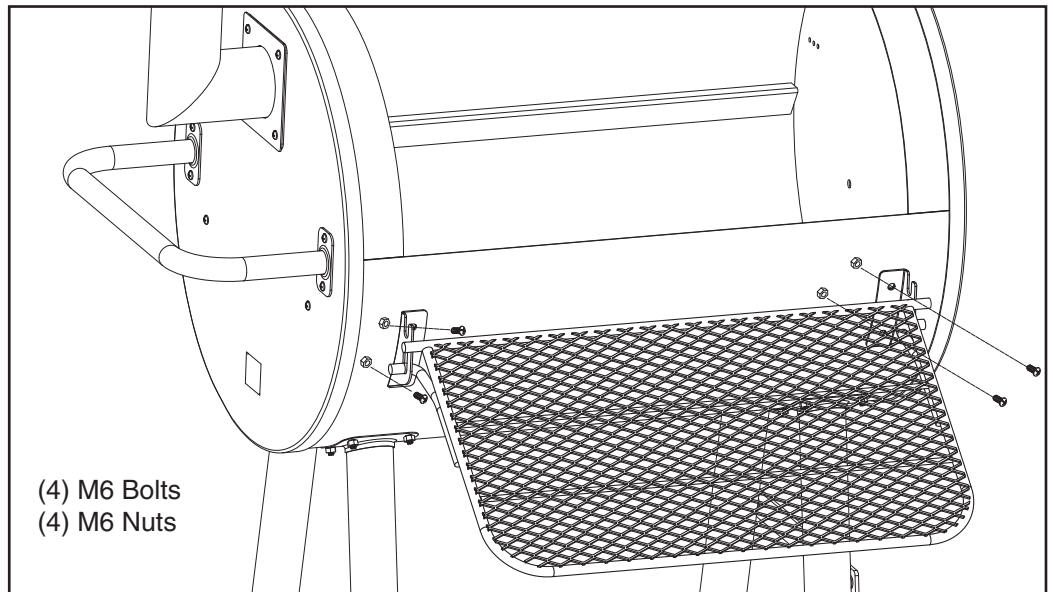
7

Once you have followed steps 1-6, turn the smoker upright and make sure it's on level ground. Tighten all bolts.

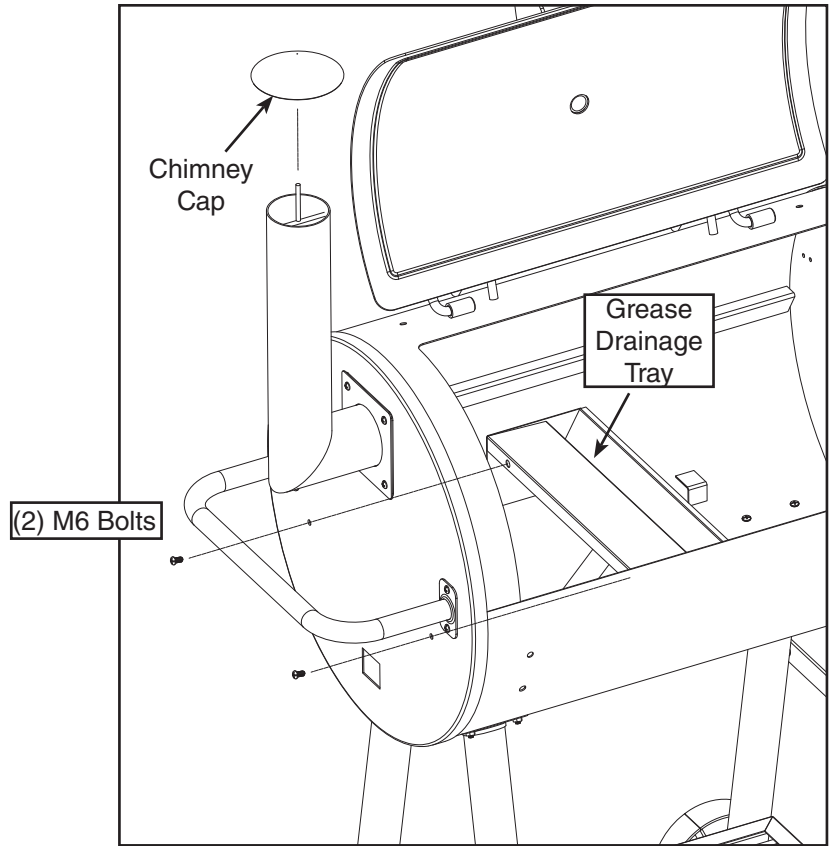
8



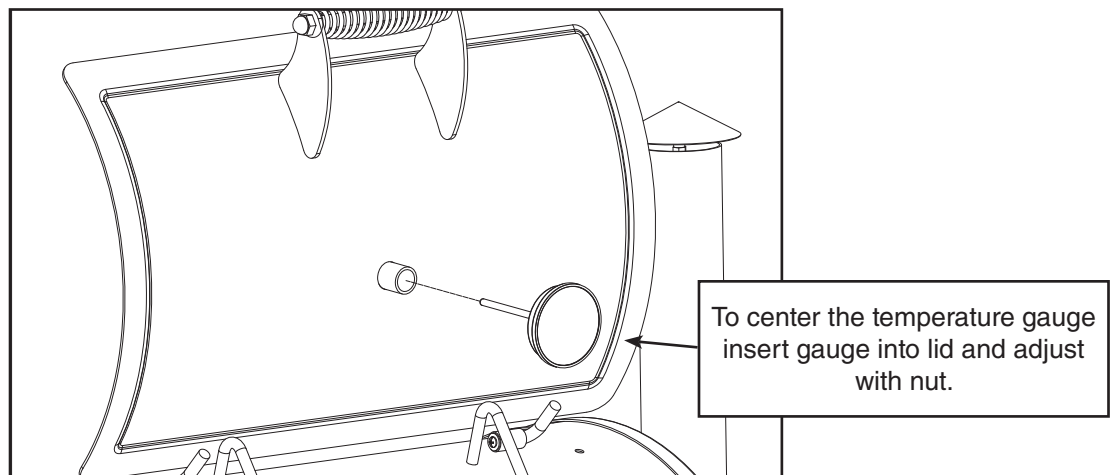
9



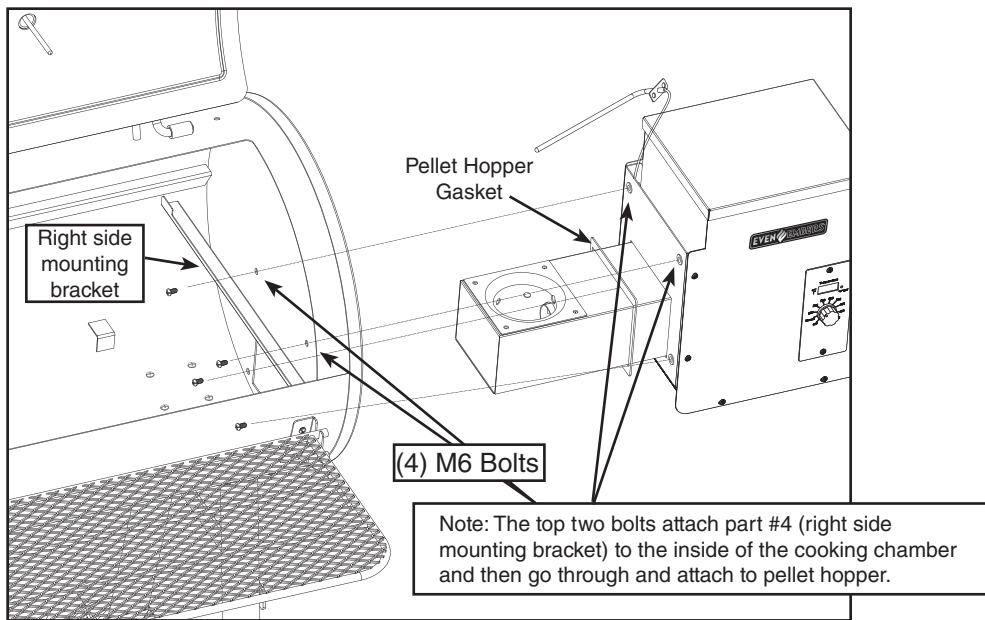
10



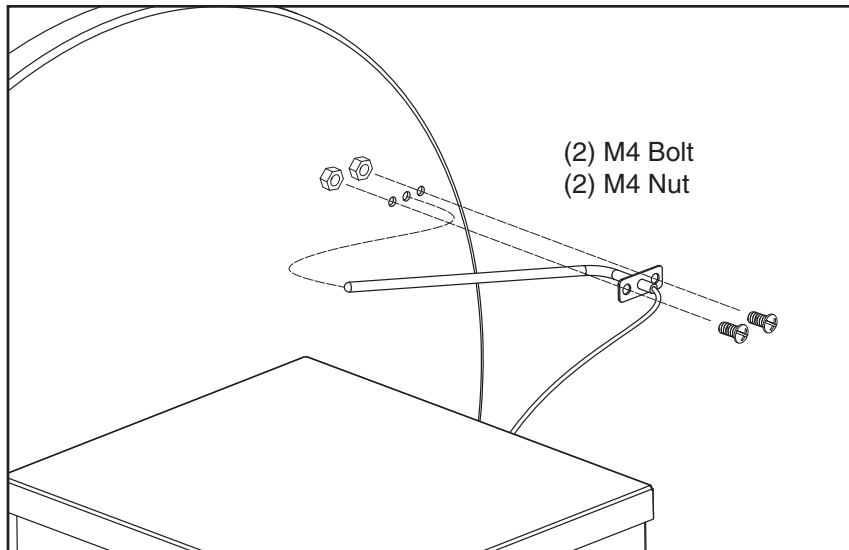
11



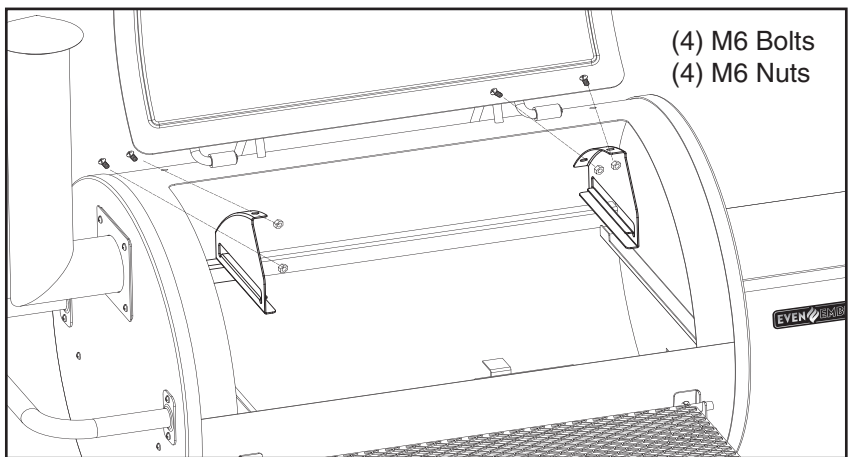
12



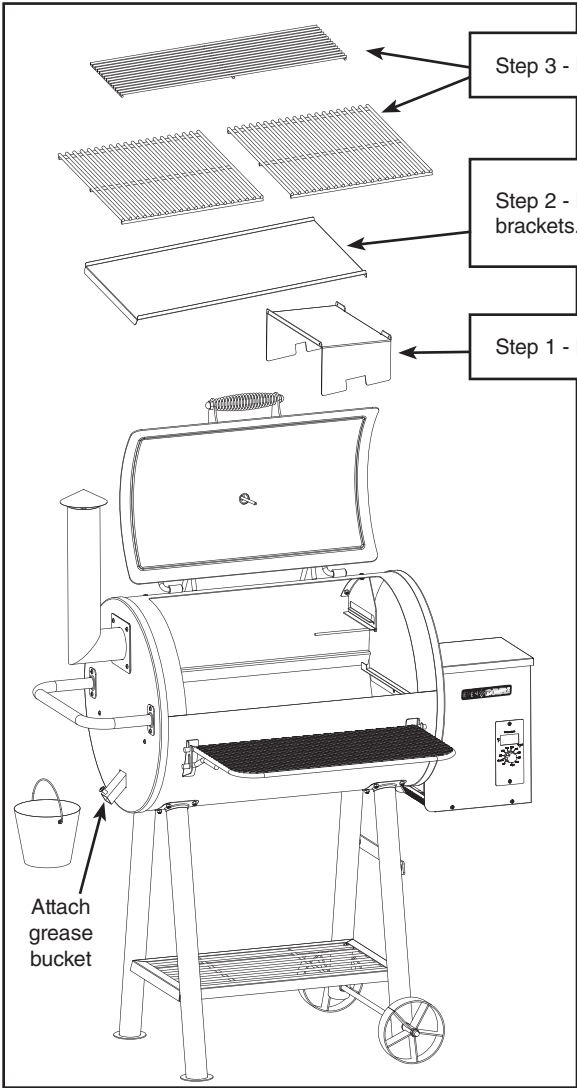
13



14



15

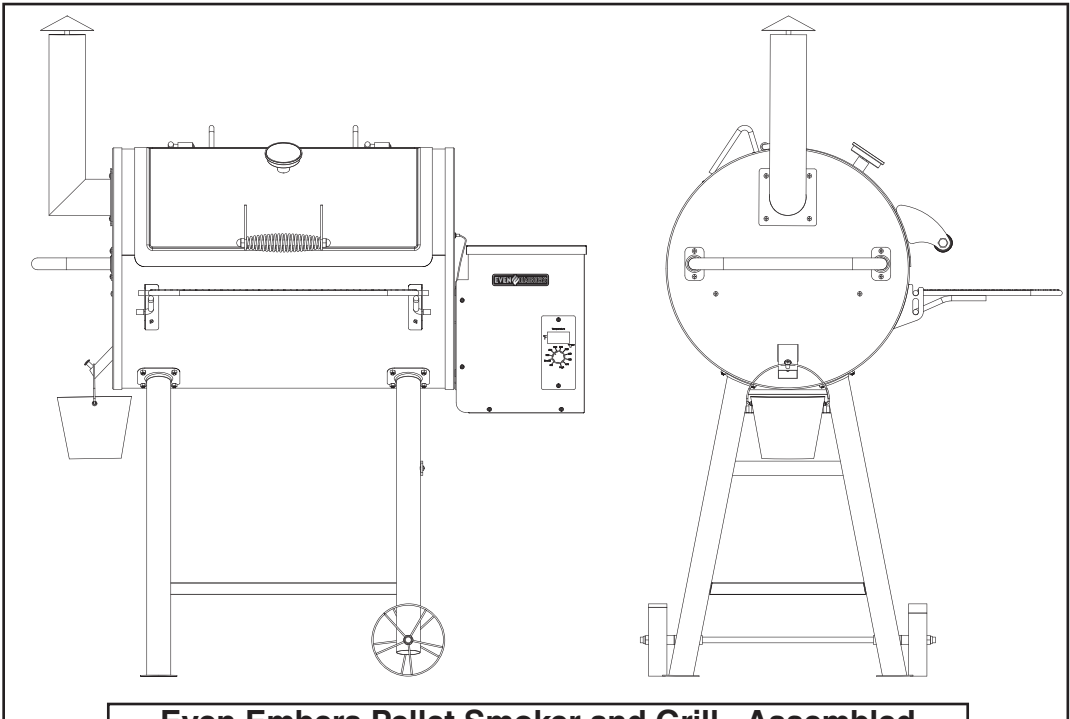


Step 3 - Install cooking grates and warming rack.

Step 2 - Install the grease tray so that it sits on the left and right mounting brackets.




Step 1 - Install heat baffle onto brackets so it sits over fire pot.

Attach grease bucket



Even Embers Pellet Smoker and Grill - Assembled

IMPORTANTES ADVERTENCIAS DE SEGURIDAD

ES NUESTRO DESEO QUE ARME Y UTILICE SU PARRILLA EN LA FORMA MÁS SEGURA POSIBLE. EL PROPÓSITO DE ESTE SÍMBOLO DE ALERTA DE SEGURIDADES  ES QUE USTED PRESTE ATENCIÓN A LOS POSIBLES PELIGROS CUANDO ARME Y UTILICE SU PARRILLA. ¡CUÁNDO VEA ESTE SÍMBOLO DE ALERTA DE SEGURIDAD  PRESTE ESPECIAL ATENCIÓN A LA INFORMACIÓN A CONTINUACIÓN!  LEA DETENIDAMENTE TODAS LAS ADVERTENCIAS DE SEGURIDAD E INSTRUCCIONES ANTES DE ARMAR Y USAR LA PARRILLA.

PELIGRO

 NO use en condiciones húmedas o mojadas.

ADVERTENCIA

1. La instalación, el ajuste, el servicio o el mantenimiento incorrecto pueden causar lesión o daños materiales.
2. Lea detenidamente las instrucciones y pautas a fondo antes de armar, uso o mantenimiento.
3. La falta de seguir estas instrucciones podría dar lugar a fuego o una descarga eléctrica.

PELIGRO

 NO para el uso en barcos o los vehículos de la esparcimiento.

PELIGRO



1. No guarde o utilice gasolina o líquido propano cualquier otro vapor o líquido inflamable cerca de este electrodoméstico.

UNA DE LAS CAUSAS PRINCIPALES DE INCENDIOS ES NO MANTENER LOS ESPACIOS NECESARIOS (ESPACIOS AÉREOS) CON RESPECTO A LOS MATERIALES COMBUSTIBLES. ES DE EXTREMA IMPORTANCIA QUE ESTE PRODUCTO SE INSTALE SOLO SEGÚN ESTAS INSTRUCCIONES

TABLA DE CONTENIDOS:

| | |
|---|------------------|
| Advertencias Generales | 25-26 |
| Funcionamiento de la Parrilla | 27-30 |
| Cuidado y Mantenimiento Adecuados | .31 |
| Transporte y Almacenamiento | 32 |
| Recomendaciones para Cocinar en la Parrilla | 32 |
| Solución de Problemas | .33 |
| Diagrama de Cableado | .34 |
| Instrucciones de Montaje | 35-44 |
| Información de la garantía | Cubierta trasera |

⚠ PELIGRO: Indica una situación peligrosa inminente la cual, si no se evita, producirá lesiones graves o aún la muerte.

⚠ ADVERTENCIA: Manténgase alerta a la posibilidad de lesiones corporales graves si no se siguen las instrucciones. Asegúrese de leer y seguir cuidadosamente todos los mensajes.

⚠ PRECAUCIÓN: Indica una situación posiblemente peligrosa la cual, si no se evita, puede producir lesiones menores o moderadas.

CALIFORNIA PROPOSICIÓN 65 ADVERTENCIA

⚠ ADVERTENCIA: Este producto puede exponerlo a productos químicos, incluido el monóxido de carbono, que son conocidos por el estado de California para causar nacimiento defectuoso u otro daño reproductivo.

Para obtener más información, vaya a www.P65Warnings.ca.gov

⚠ ADVERTENCIA!: CONTIENE PLOMO. PUEDE SER DAÑINO SI SE COME O SE MASA. CUMPLE CON LAS NORMAS FEDERALES. MANTENER FUERA DEL ALCANCE DE LOS NIÑOS.

Para accesorios y otros productos, visítenos en:
www.embersgrills.com

ADVERTENCIAS GENERALES:

⚠ ADVERTENCIA

Cuando se usan aparatos eléctricos, las precauciones básicas de seguridad siempre se deben seguir incluyendo las siguientes:

- Operar sólo por instrucciones del fabricante.
- Mantenga todos los materiales combustibles por lo menos 36 pulgadas (91.44 cm) de distancia de la parrilla en todo momento. No use esta parrilla en cualquier proyección o cerca de las estructuras combustibles.
- Espacio mínimo de un lado y la espalda de la unidad a los materiales combustibles, 36 pulgadas (91.44 cm) de los lados y 36 pulgadas (91.44 cm) desde la parte posterior.
- NO usar en plataformas de madera. Apoye esta parrilla en una superficie resistente, no combustible y nivelada.
- En caso de incendio, gire el control en "OFF". Desenchufe la parrilla de la fuente de energía y permita que el fuego se apague por su cuenta. No use agua para tratar de extinguir un incendio.
- Mantenga a mano un extinguidor de incendios aceptable para usar con productos de gas. Consulte con su autoridad local para determinar el tamaño y tipo correctos.
- Creosota: formación y necesidad de extracción. Cuando los gránulos de madera se queman lentamente, producen alquitrán y otros vapores orgánicos que se combinan con la humedad despedida para formar creosota. Los vapores de creosota se condensan en la salida de un horno relativamente frío y en la campana extractora de una chimenea a fuego lento. En consecuencia, los residuos de creosota se acumulan en el revestimiento de la salida y en la campana extractora. Cuando se enciende, esta creosota produce un fuego extremadamente caliente.
- Debe inspeccionar el conducto de grasa al menos dos veces al año para determinar si se ha acumulado grasa y/o creosota.
- Cuando se ha acumulado grasa o creosota, debe extraerse para reducir el riesgo de incendio.
- No intente tocar las superficies de la cocina o cualquier otra superficie caliente. Utilice mangos o perillas.
- Para protegerse de descargas eléctricas, no sumerja el cable, las conexiones ni el elemento calentador en agua ni en ningún otro líquido.
- Nunca deje el artefacto sin supervisar. Se calienta durante el funcionamiento. Mantenga lejos niños, prendas y muebles. El contacto puede provocar quemaduras.
- Desenchufe esta parrilla de la fuente de alimentación cuando no esté en uso y antes de limpiarla. Permita que el electrodoméstico se enfríe antes de intentar limpiarlo o realizar el mantenimiento.
- No opere ningún aparato con un cable eléctrico o enchufe dañado, o después de que el aparato no funciona correctamente o ha sido dañado de alguna manera.
- No utilice accesorios que no estén recomendados por el fabricante, puesto que pueden no ser compatibles con este electrodoméstico y pueden causarle daños o lesiones.
- No coloque el cable de alimentación donde pueda entrar en contacto con superficies calientes o causar tropiezos.
- No utilice este aparato para otra cosa que el uso previsto.
- NUNCA agregue pellets para cocinar a una olla caliente al fuego con la mano. Usted podría sufrir quemaduras. Si la tolva se queda sin pellets o su fuego se apaga durante la cocción, deje que la parrilla se enfríe completamente y siga las Instrucciones Iniciales de Iluminación.
- Utilice solamente pellets de madera aptos para cocinar. Nunca use pellets de madera de calefacción grado, ya que no son seguros para la cocina.
- Guarde siempre pellets de madera lejos del calor.
- Nunca utilice gasolina, combustible para faroles de tipo gasolina, kerosene, fluido para encender carbonilla o líquidos similares para iniciar o "avivar" un fuego en este artefacto. Mantenga todos esos líquidos lejos del artefacto cuando está funcionando.
- Esta parrilla no es para uso en interiores. No utilice dentro de un edificio, garaje o cualquier otra área cerrada.
- Este producto no está diseñado para uso comercial.

- Este producto no está diseñado para uso de mesa. No coloque este producto sobre una mesa.
- Cables al aire libre de extensión debe ser utilizado con productos de uso al aire libre y están marcados con el sufijo "W" y con la frase "Apto para el uso con aire libre Blanca."
- Utilice sólo una fuente de energía adecuada a tierra.
- Utilícelo únicamente con un circuito para el hogar GFCI (Interruptor del circuito de fallos de conexión a tierra) con una conexión a tierra adecuada.
- No utilice este producto en condiciones de lluvia o humedad. No permita que este producto entre en contacto con el agua. Establezca este producto hasta más de 10 pies de cualquier gran masa de agua (piscina, lago, estanque, etc.)
- PRECAUCIÓN - Para reducir el riesgo de choque eléctrico, mantenga la conexión del cable de extensión seca y fuera de tierra.
- Nunca cambie o retire los enchufes de conexión a tierra del cable de alimentación o del tomacorriente para el hogar.
- Desconecte el cable eléctrico del tomacorriente antes de limpiarlo.
- Mantenga la unidad limpia. Vea la sección Cuidado y Mantenimiento Apropiado para la limpieza.
- No opere esta parrilla mientras se encuentra bajo la influencia de drogas, alcohol o si está fatigado.
- No la utilice en presencia de gases inflamables o explosivos, vapor u otras sustancias.
- No utilice esta parrilla, a menos que esté completamente ensamblada y todas las partes estén sujetadas y ajustadas firmemente.
- Utilice únicamente partes de reemplazo idénticas.
- No utilice este producto cuando haya vientos fuertes.
- No intente mover este electrodoméstico mientras está en uso.
- Siempre abra la tapa de la parrilla con cuidado - el calor y el vapor atrapados dentro de la tapa pueden quemar.
- Instale esta parrilla sobre una superficie dura, non-combustible lisa nivelada.
- No utilice este producto como calefactor de interiores, ya que se acumularán los gases tóxicos.
- Después de haber guardado la parrilla por un tiempo, inspeccione la para ver la abrasión, el desgaste, los cortes o el daño causados al controlador de temperatura y al cable de alimentación.
- Siempre utilice un termómetro para carne para asegurarse de que la comida se cocine a una temperatura segura.
- Desenchufe del enchufe cuando no este en uso y antes de limpiar. Permita refrescarse antes de poner o de sacar piezas.
- Desenchufe del enchufe cuando no este en uso y antes de limpiar. Permita refrescarse antes de poner o de sacar piezas.
- No opere ningún aparato con un cable o enchufe dañado o después de un mal funcionamiento o se ha caído o dañado de alguna manera. Siga estas pautas para evitar que este gas incoloro e inodoro lo envenene a usted, a sus familiares o a otras personas.

- Conozca los síntomas del envenenamiento por monóxido de carbono: cefalea, mareos, debilitación, náuseas, vómitos, somnolencia y confusión. El monóxido de carbono reduce la capacidad de la sangre para transportar el oxígeno. Los niveles bajos de oxígeno en sangre pueden provocar la pérdida del conocimiento y la muerte.
- Consulte con un médico si usted u otras personas desarrollan síntomas similares a los de la gripe o el resfrío cuando cocina o se aproxima a este artefacto. El envenenamiento por monóxido de carbono, que puede confundirse fácilmente con una gripe o resfrío, suele detectarse muy tarde.
- El consumo de alcohol y el uso de drogas aumentan los efectos del envenenamiento por monóxido de carbono.
- El monóxido de carbono es especialmente tóxico para la madre y el bebé durante el embarazo, los niños, los fumadores de avanzada edad

⚠ SEA PRECAVIDO Y UTILICE SENTIDO COMÚN CUANDO OPERE LA PARRILLA DE PELLET COMBUSTIBLE. HACER CASO OMISO A LAS ADVERTENCIAS DE SEGURIDAD E INSTRUCCIONES EN ESTE MANUAL PUEDE PRODUCIR GRAVES LESIONES PERSONALES, MUERTE O DAÑOS MATERIALES. GUARDE ESTE MANUAL PARA REFERENCIA FUTURA.

FUNCIONAMIENTO DE LA PARRILLA:

⚠ ADVERTENCIA

Lea y siga todas las advertencias e instrucciones contenidas en las secciones anteriores de este manual.

PREPARACIÓN DE LA PARRILLA PARA USARLA POR PRIMERA VEZ:

- Debido al proceso de fabricación y preservación de los componentes de la parrilla, puede haber residuo de aceite presente en la hornillas y en las superficies de cocción de la parrilla.
- Antes de comenzar a cocinar en su parrilla por primera vez, debe seguir las “Instrucciones de encendido para la primera vez” para asegurarse de que la barrena esté completamente llena de pellets.

PRECALENTAMIENTO DE LA PARRILLA:

- Se recomienda que precaliente la parrilla antes de usarla. Esto asegura que las superficies para cocinar estén a las temperaturas deseadas para dorar los azúcares de los alimentos cuando cocine. Después de encender la parrilla, coloque las perillas de control de las hornillas principales a la posición “ALTO” durante 10 a 15 minutos. Cierre la cubierta durante el período de precalentamiento.

⚠ ADVERTENCIA

- **NO** deje la parrilla desatendida mientras está en uso.
- **NO** mueva la parrilla cuando esté en uso. Trabe las ruedas en posición para estabilizar la parrilla.
- **NO** utilice agua para apagar las llamaradas.

SI UN CABLE DE EXTENSIÓN ES ABSOLUTAMENTE NECESARIO:

- Utilice un cable de extensión conectado a tierra de 3 puntas aprobado por CSA o UL que esté calificado para al menos 7-10 A y marcado como apto para uso en exteriores.
- Mantenga la conexión del cable de extensión seca y lejos del suelo.
- Evite enchufar el cable de extensión o de alimentación de manera que atraviesen entradas de auto, senderos o en cualquier lugar donde puedan causar tropiezos.

CÓMO ENCENDER LA PARRILLA:

Instrucciones de encendido para la primera vez (Para utilizar la primera vez que se enciende o una vez que se han acabado los pellets en la parrilla)

Controle siempre que el tubo de la barrena esté completamente lleno de pellets para un correcto encendido de la parrilla.

- Paso 1** Abra la tapa de la cámara de cocción y retire las parrillas de cocción, la bandeja de grasa y el deflector de calor del interior de la parrilla. Deje la puerta abierta.
- Paso 2** Asegúrese de que la perilla de control de temperatura esté en “OFF”. Enchufe el cable de alimentación a una toma de corriente externa GFCI (con conexión a tierra).
- Paso 3** Abra la tapa de la tolva para pellets. Asegúrese de que la barrena no contenga desechos u otros objetos. Coloque la perilla del control de temperatura en la posición de “AHUMAR” y verifique que la barrena comience a girar.

Paso 3 Abra la tapa de la tolva para pellets. Asegúrese de que la barrena no contenga desechos u otros objetos. Coloque la perilla del control de temperatura en la posición de "AHUMAR" y verifi que que la barrena comience a girar.

Paso 4 Ponga su mano en la cámara de cocción durante 3" arriba de la olla de cocción, y verifi que si puede sentir el aire que sale de la olla de cocción.

Paso 5 Mire adentro de la olla de cocción y verifi que que la resistencia comience a calentarse y a tornarse de un color rojo brillante. ¡NO TOQUE LA RESISTENCIA! Coloque la perilla del control de temperatura en la posición de "APAGADO".

Paso 6 Llene la tolva de pellets con pellets para cocinar. NUNCA USO CALEFACCIÓN YA QUE NO SON SEGUROS PARA COCINAR.

Paso 7 Coloque la perilla del control de temperatura en la posición de "AHUMAR" y gire la perilla del control de temperatura a "ALTA"
NOTA: Durante la primera carga del tubo de la barrena, tardará aproximadamente 5 minutos hasta que los pellets pasen de la tolva a la olla de cocción.

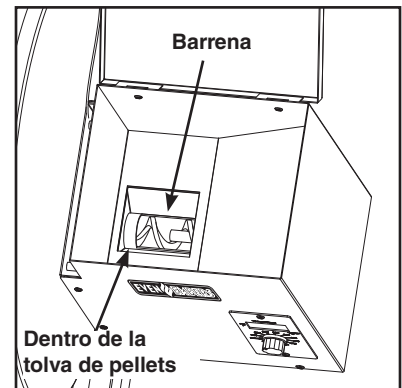
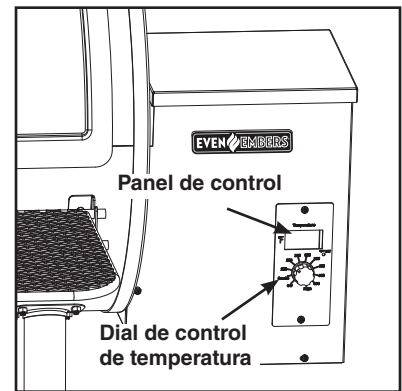
Paso 8 Cuando los pellets comiencen a caer dentro de la olla de cocción, coloque la perilla del control de temperatura en la posición de "APAGADO".

Paso 9 Vuelva a colocar la placa de distribución de calor, la bandeja para la grasa y las parrillas de cocción en la cámara de cocción.

Paso 10 Deje la tapa de la cámara de cocción abierta. Coloque la perilla del control de temperatura a "BAJA" Aproximadamente dos minutos después de que los pellets comiencen a quemarse, deberá ver que sale humo de la cámara de cocción.

Paso 11 Cierre la tapa de la cámara y ajuste la perilla del control de la temperatura a la temperatura deseada. Vea la nota a continuación acerca del proceso de curado.

NOTA: Se recomienda curar la parrilla antes de utilizarla por primera vez. Cierre la tapa de la cámara de cocción, cambie la perilla de control de la temperatura a "ALTA" y aguarde 45 minutos hasta que la parrilla se cure. Esto permitirá que cualquier residuo de aceite o de pintura que esté adentro de la cámara de cocción se queme antes de cocinar por primera vez.



INSTRUCCIONES PARA EL ENCENDIDO POSTERIOR

Paso 1 Abra la tapa de la tolva para pellets y verifi que la cantidad de pellets. Agregue más pellets en caso de ser necesario.

⚠ ADVERTENCIA: NUNCA agregue pellets para cocinar a una olla caliente con la mano. Usted podría sufrir quemaduras. Si la tolva se queda sin pellets o su fuego se apaga durante la cocción, deje que la parrilla se enfríe completamente y siga las instrucciones iniciales de iluminación.

Paso 2 Abra la tapa de la cámara de cocción y coloque la perilla del control de temperatura en la posición de "AHUMAR". Aproximadamente dos minutos después de que los pellets comiencen a quemarse, deberá ver que sale humo de la cámara de cocción.

NOTA: Siempre encienda la parrilla con la temperatura en “AHUMAR” y la tapa de la cámara de cocción abierta.

Paso 3 Cierre la tapa de la cámara y ajuste la perilla del control de la temperatura a la temperatura deseada. Para obtener resultados óptimos, caliente previamente la parrilla durante 10 a 15 minutos con la tapa cerrada antes de colocar el alimento en la parrilla.

Siga estos pasos en caso de que la parrilla no se encienda o si el fuego de la olla de cocción se ha apagado mientras estaba cocinando:

Paso 1 Coloque la perilla del control de temperatura en la posición de “APAGADO” y desenchufe. Abra la tapa de la cámara de cocción y retire el alimento, las parrillas asadoras, la bandeja para grasa y las placas de distribución del calor.

⚠ PRECAUCIÓN: Algunas piezas pueden contener bordes cortantes. Use guantes protectores de ser necesario.

⚠ ADVERTENCIA: Siempre use guantes de cocinar para proteger las manos. Las piezas de metal se calientan al usarse. Tenga extremo cuidado al manipular las parrillas asadoras, la bandeja para grasa y la placa de distribución del calor.

Paso 2 Retire la totalidad de los pellets que no se hayan quemado y las cenizas que se encuentren en el interior y alrededor de la olla de cocción.

Paso 3 Encienda la parrilla nuevamente y verifique que el ciclo de encendido funcione. La resistencia debe ponerse roja y los pellets deben caer adentro de la olla de cocción desde el tubo de la barrena.

Paso 4 Coloque nuevamente la placa de distribución del calor, la bandeja para grasa y las parrillas asadoras utilizando guantes de cocina.

Paso 5 Caliente previamente la parrilla durante 10 a 15 minutos con la tapa cerrada antes de colocar el alimento nuevamente en la parrilla. Si tiene algún inconveniente al realizar este procedimiento, verifique que la sección Solución de problemas en su manual del usuario.

APAGADO DE LA PARRILLA:

- Coloque el interruptor en la posición de “APAGADO”.
- Desenchufe el cable de alimentación del tomacorriente de pared.

⚠ ADVERTENCIA: NUNCA agregue pellets para cocinar a una olla caliente con la mano. Usted podría sufrir quemaduras. Si la tolva se queda sin pellets o su fuego se apaga durante la cocción, deje que la parrilla se enfríe completamente y siga las instrucciones iniciales de iluminación.

CÓMO COCINAR:

- Configure el controlador de temperatura en el nivel deseado y deje que alcance la temperatura.
- Coloque la comida en la parrilla para cocinar.
- Con la tapa abierta o cerrada, cocine hasta que se alcance la temperatura interna deseada.
- Tenga cuidado al retirar el alimento de la parrilla de combustible pellets. Todas las superficies están CALIENTES y pueden causar quemaduras. Use guantes de cocina o utensilios largos y fuertes para retirar el alimento.
- La parrilla de combustible pellets está CALIENTE mientras se usa y permanecerá CALIENTE durante un tiempo después. Precauciones de uso.

CONSEJOS DE USO:

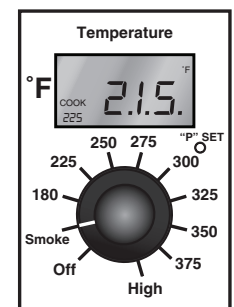
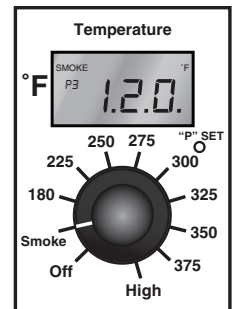
- Su Even Embers Pellet Smoker & Grill® nunca se debe mover mientras está caliente. Si está transportando su parrilla en un vehículo después de cocinarla, asegúrese de que el fuego esté completamente apagado y que la parrilla esté fría antes de colocarla en cualquier vehículo. NUNCA ponga agua en la olla de fuego. Atascará la barrena.
- Even Embers Pellet Smoker & Grill® está diseñado para operar con la tapa cerrada. Cocinar con la tapa abierta aumenta en gran medida el tiempo de cocción.
- Asegúrese de que el deflector de calor esté correctamente asentado en sus soportes de ubicación. Las largas patas del deflector de calor deben apuntar hacia abajo sobre la olla de fuego. Si no está sentado correctamente, el calor directo y la llama podrían salir de la olla de fuego y provocar un incendio de grasa en la parrilla.

MODO DE AHUMAR:

- La configuración “HUMO” es para fumar y agregar sabor ahumado a los alimentos que se cocinan.
- El modo de humo se puede ajustar de P0 a P4. P0 proporciona menos humo en la cámara de cocción y se puede ajustar hasta P4 para obtener el máximo humo. P2 es la configuración de fábrica normal.
- Ajustar el modo de humo a un ajuste más alto causará más fluctuaciones en la temperatura de la cámara de cocción.
- Gire la perilla de control de temperatura para fumar. Use una herramienta de cabeza pequeña para presionar el interruptor ubicado detrás de la abertura del Juego “P” para cambiar la Configuración P.

MODO COOK:

- El dial de temperatura se puede cambiar en cualquier momento para aumentar o disminuir la temperatura de cocción de la parrilla.
- Los ajustes de temperatura de 325 ° F a “ALTO” son para asar a la parrilla.
- Los ajustes de temperatura de 180 ° F a 300 ° F son para cocción lenta.
- Ajuste la perilla de control a la temperatura deseada. La temperatura seleccionada estará en la esquina inferior izquierda de la pantalla digital.
- Ajustar el modo de humo a una configuración más alta causará más fluctuación en la temperatura de la cámara de cocción
- El modo de humo se puede ajustar de P0 a P4. P0 proporciona menos humo en la cámara de cocción y se puede ajustar hasta P4 para obtener el máximo humo.



CÓDIGOS DE ERROR:

- “8.8.8.” - La pantalla parpadeará durante 1-2 segundos cuando se enchufa por primera vez a la toma de corriente. Esto es normal, no es indicación de un problema.
- “ErP”: error. La alimentación se producirá cuando la parrilla esté enchufada a la toma de corriente y el La perilla de control de temperatura no está en la posición “OFF”
- “. . .” - Los puntos intermitentes indican que el encendedor está “ENCENDIDO” El encendedor permanecerá encendido por 8 minutos y luego se va.
- “ErH” - Límite de alta temperatura indica que la temperatura en la cámara de cocción ha superado los 565°F.
- “1.0.5.” - La temperatura parpadeante indica que la temperatura está por debajo de 110°F en el ajuste “HUMO” o la temperatura está por debajo de 150°F en todas las temperaturas de cocción.
- “Err”: el termopar puede desengancharse o dañarse.



CUIDADO Y MANTENIMIENTO APROPIADOS:

- Retire los pellets de madera de la tolva si la parrilla no será utilizado durante un largo periodo de tiempo. Pellets demadera pueden llegar a ser empapado causa de la humedad / humedad y pueden causar la barrena se una o no empujar para quemar pellets de cámara.
- Desecho de cenizas: las cenizas deben colocarse en un contenedor de metal con una tapa hermética. El contenedor cerrado de cenizas debe colocarse en un suelo no combustible o en el piso, bien lejos de los materiales combustibles, antes del desecho final. Cuando se desechan las cenizas mediante incineración o se dispersan localmente, deben permanecer en el contenedor cerrado hasta que se hayan enfriado completamente todos los rescoldos.
- Para proteger su parrilla contra la oxidación excesiva, manténgala limpia y cubierta todo el tiempo cuando no la esté usando.
- Lave las rejillas para cocinar y las placas de distribución de calor con agua jabonosa caliente, enjuáguelas bien y séquelas. Aplique una capa ligera de aceite vegetal líquido o en aerosol a las rejillas para cocinar.
- Limpie el interior y exterior de la parrilla con un paño húmedo. Aplique una capa ligera de aceite vegetal líquido o en aerosol a la superficie interior para impedir la oxidación.
- Nunca aplique pintura a la superficie interior. Las manchas de oxidación en la superficie interior pueden pulirse, limpiarse y luego cubrirse con una capa ligera de aceite vegetal líquido o en aerosol para reducir al mínimo la oxidación.
- Dependiendo de su uso, retire periódicamente las rejillas para cocinar, bandeja de grasa y placa de distribución de calor para limpiar la ceniza de dentro y alrededor de la olla del fuego. Una aspiradora es práctico para esta tarea. Asegúrese de que la parrilla esté fría antes de iniciar este procedimiento.

RECOMENDACIONES ÚTILES:

- Si precocina carne o pollo, hágalo inmediatamente antes de cocinarlo en la parrilla.
- Nunca descongele carne a la temperatura ambiente o sobre un mostrador.
- Refrigere los restos a más tardar 2 horas después de haber sacado la comida de la parrilla.
- Para mayor información, llame a la Línea de Información sobre Carne y Pollo de USDA al número sin cargo 800-535-4555.

LIMPIEZA Y MANTENIMIENTO:

- Mantenga el artefacto alejado de materiales combustibles, gasolina u otros vapores o líquidos inflamables.
- Verifique que lo siguiente por lo menos dos veces al año o después de largos periodos de almacenaje para cocinar sin peligro y obtener el mejor rendimiento de su parrilla.
- Asegúrese de apretar toda la tornillería (tuercas, pernos, tornillos, etc.) por lo menos dos veces por año.
- ▲ **PRECAUCIÓN:** Algunas partes pueden tener bordes afilados. Use guantes de protección si es necesario.
- Retire las rejillas para cocinar, las placas de distribución de calor y las hornillas del interior de la parrilla. Utilice un cepillo con agua caliente y detergente para quitar el exceso de residuos. NUNCA use un limpiahornos comercial. Enjuague bien con agua. Seque con una toalla y reinstale todos los componentes en la forma descrita en las instrucciones de armado.

REJILLAS PARA COCINAR:

- Límpielas con agua y detergente de jabón suave. Se puede usar un cepillo con cerdas de latón o una esponja de limpieza de nilón para quitar los residuos de las superficies de acero inoxidable. No use cerdas de acero para limpiar las parrillas. El acero puede picar o agrietar el acabado. NO use un limpiahornos comercial.

TRANSPORTE Y ALMACENAJE:

ADVERTENCIA

- Nunca mueva una parrilla cuando está caliente o con objetos sobre las superficies de cocción.
- Nunca guarde líquidos inflamables o latas de aerosol debajo o cerca de la parrilla.
- NO apague incendios de grasa con agua.

ANTES DE GUARDAR LA PARRILLA:

- Limpie todas las superficies.
- Recubra ligeramente el elemento eléctrico con aceite de cocina para evitar el exceso de óxido.
- Si deja la parrilla en el exterior, cierre la tapa de la perilla de control y cubra la parrilla con una cubierta para parrillas para protegerla de las condiciones climáticas.

RECOMENDACIONES PARA COCINAR EN LA PARRILLA:

LIMPIEZA:

- Siempre lávese bien las manos con agua caliente y jabón antes de manipular alimentos y después de tocar carne, pollo o mariscos crudos.
- Cuando utilice una fuente para llevar carne, pollo o mariscos crudos a la parrilla, asegúrese de lavar bien la fuente con agua caliente y jabón antes de colocar alimentos cocidos en ella, o utilice fuentes distintas para los alimentos crudos y cocidos.
- Nunca utilice los mismos utensilios para manipular carne cruda, pollo crudo o mariscos, a menos que los lave bien con agua caliente y jabón.
- Nunca reutilice el adobo de la carne o pollo crudo en alimentos ya cocidos y listos para servir.

ASAR A LA TEMPERATURA ADECUADA:

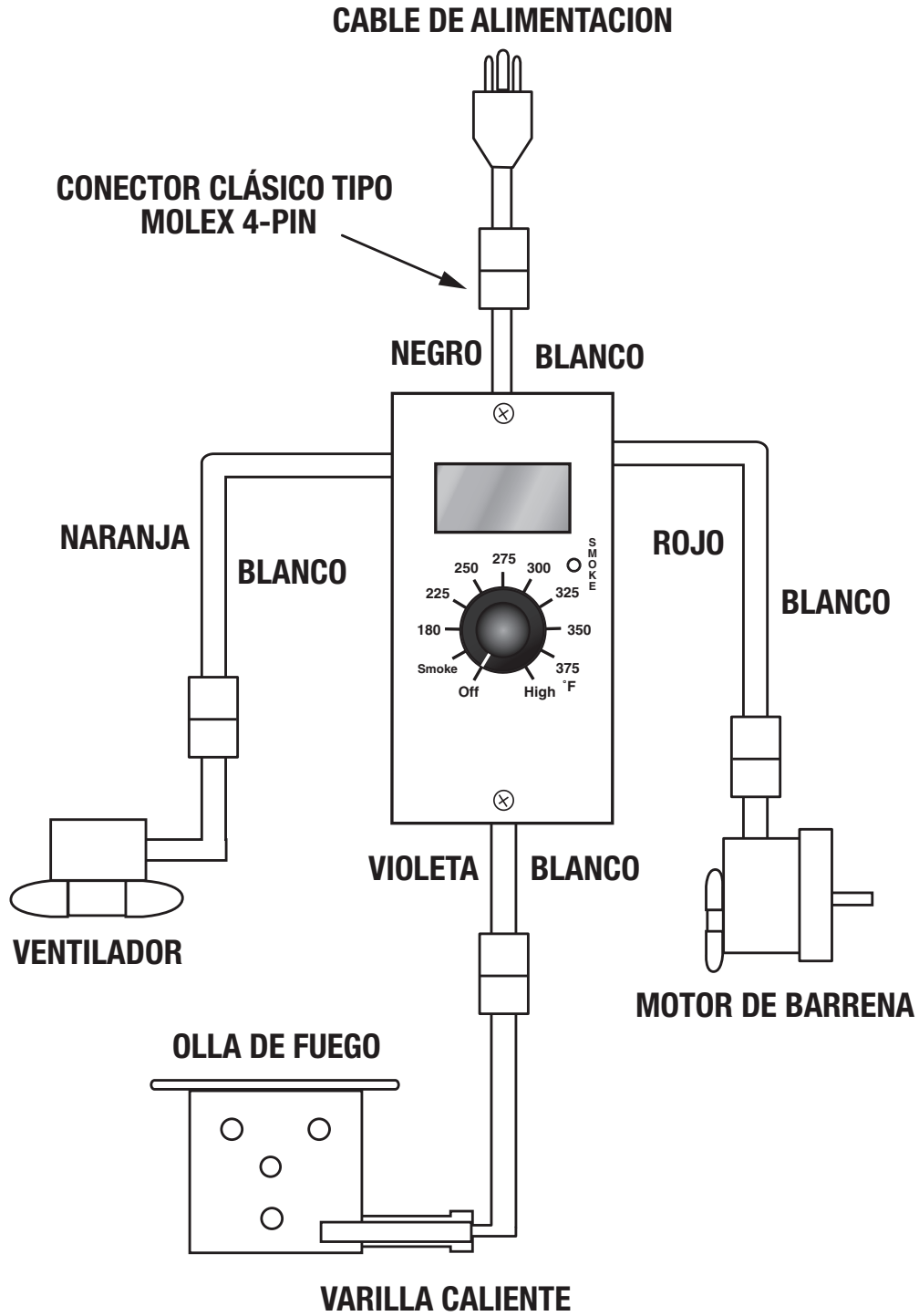
- Use un termómetro de carne para asegurarse de que la comida haya alcanzado una temperatura interna segura.
- El Departamento de Agricultura de EE. UU. recomienda que se alcance la temperatura mínima para el siguientes alimentos:

| | |
|---------------------------------|--------------------------------|
| Chuletas | 145 grados F (62.8 ° C) |
| Carne molida | 160 grados F (71 ° C) |
| Cerdo | 145 grados F (62.8 ° C) |
| Aves de corral | 165 grados F (73.9 ° C) |
| Asados | 145 grados F (62.8 ° C) |
| Mariscos | 145 grados F (62.8 ° C) |
| Vegetales | 145 grados F (62.8 ° C) |

SOLUCION DE PROBLEMAS:

| PROBLEMA | CAUSA | CORRECCION |
|--|--|--|
| Elemento eléctrico no calienta | <ol style="list-style-type: none"> 1. Asegúrese que el cable de 3 alambres este enchufado bien en una tomacorriente aterrizador de 3 alambres de 120 voltios que es protegido por GFCI de 7 o 10 amperios. 2. Compruebe los trituradores o los fusibles para ver que no está abierta o soplado. 3. Compruebe que el GFCI no se hay cortado o disparado. 4. La resistencia eléctrica solo calienta (se torna de un color rojo) durante los primeros 4 minutos después de que se ha encendido el interruptor. 5. Fusible-Soplado. | <ol style="list-style-type: none"> 1. Enchufe de nuevo al cable de 3 alambres de 120 voltios que es protegido por GFCI de 7 o 10 amperios. 2. Apague y prenda de nuevo los trituradores o sustituya el fusible. 3. Apague y prenda la tomacorriente por el GFCI. 4. Coloque el interruptor en "APAGADO" y luego en "AHUMAR" nuevamente. 5. Reemplace el tamaño máximo del fusible: 5 mm x 20 mm, 5 amperios. |
| Ahumador no calienta como debería | <ol style="list-style-type: none"> 1. Ajuste la temperatura con el regulador eléctrico. 2. Evite la tentación de revisar la comida con demasiada frecuencia. 3. Compruebe que no haya pellets en la tolva de pellets. 4. Fuego se apague en "SMOKE" | <ol style="list-style-type: none"> 1. Súbale al regulador eléctrico. 2. Abriendo demasiado la puerta permite que el calor se escape, solo abre la puerta cuando es necesario. 3. Añadir pellets y tiempo suficiente para que los pellets pueden viajar desde la tolva de pellets a la caja de fuego (puede tardar hasta 7 minutos). 4. El exceso de ceniza. IMPORTANTE: Retire todos los pellets quemados y cenizas desde el interior y alrededor de la caja de fuego. Una shop-vac es ideal para la tarea. CAUTION! ASEGURO QUE LA PARRILLA EN FRÍO PARA EVITAR UN INCENDIO DE ceniza caliente. |
| Ahumador calienta demasiado | <ol style="list-style-type: none"> 1. Ajuste el control de temperatura. | <ol style="list-style-type: none"> 1. Aje el calor en el dial de control de la temperatura. |
| Sale humo de la caja del ahumador | <ol style="list-style-type: none"> 1. Esto es normal debido a la presión del aire en el interior del fumador. La cantidad de humo puede variar dependiendo de las condiciones de cocción. | <ol style="list-style-type: none"> 1. Esta condición no afectará a cocinar. |
| Temperatura o la pantalla digital no coincide con "set" temperatura | <ol style="list-style-type: none"> 1. Cuando se fuma el primer encendido, se tarda 15 minutos más o menos de la temperatura se estabilice. 2. Al ajustar la temperatura, se tarda 15 minutos más o menos de la temperatura se estabilice. | <ol style="list-style-type: none"> 1. Espere 15 minutos más o menos de la temperatura se estabilice. |

DIAGRAMA DE CABLEADO:



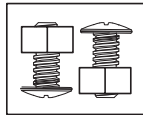
INSTRUCCIONES DE MONTAJE:

Verifi que que tiene todos los artículos indicados en la LISTA DE PARTES y en el CONTENIDO DE LA BOLSA DE PARTES antes de comenzar con el proceso de instalación.

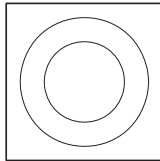
LA BOLSA DE PARTES INCLUIRÁ LO SIGUIENTE:

- (2) Pernos M4 x 10 mm y Tuercas M4
- (2) Arandelas de Rueda M12
- (2) Tuercas de Rueda M12
- (32) Tuercas M6
- (44) Pernos M6 x 12mm
- (20) Arandelas de Seguridad M6

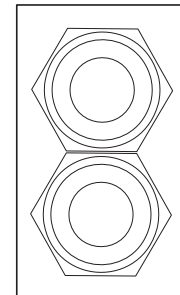
M4 x 10mm Pernos
y M4 Tuercas - 2pcs



Rueda Arandelas - 2pcs



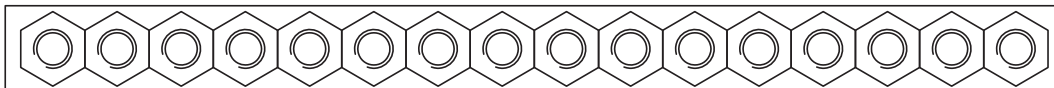
M12 Tuercas de
Rueda - 2pcs



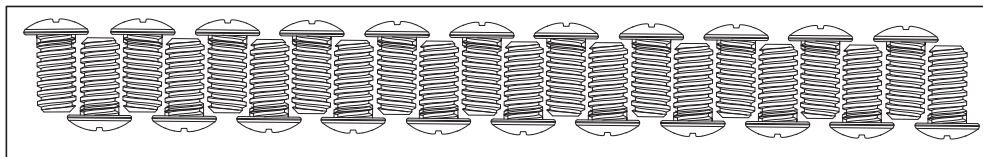
M6 Arandelas de Seguridad - 20pcs
Base y Patas del Carro



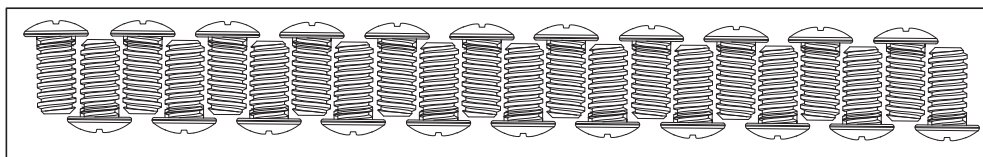
M6 Tuercas - 32pcs



M6 x 12mm Pernos - 22pcs



M6 x 12mm Pernos - 22pcs



**⚠ LEA CUIDADOSAMENTE TODAS LAS ADVERTENCIAS E INSTRUCCIONES DE SEGURIDAD
ANTES DE ENSAMBLAR Y OPERAR SU QUEMADOR DE PELLET DE EVEN EMBERS® & GRILL.
PARA PIEZAS QUE FALTAN, POR FAVOR LLAME AL SERVICIO AL CLIENTE AL 855-735-9922.**

(Se requerirá un comprobante de compra).

Se requieren las siguientes herramientas para ensamblar su
ahumador y parrilla Even Embers ®:

- Destornillador Phillips
- Llave inglesa

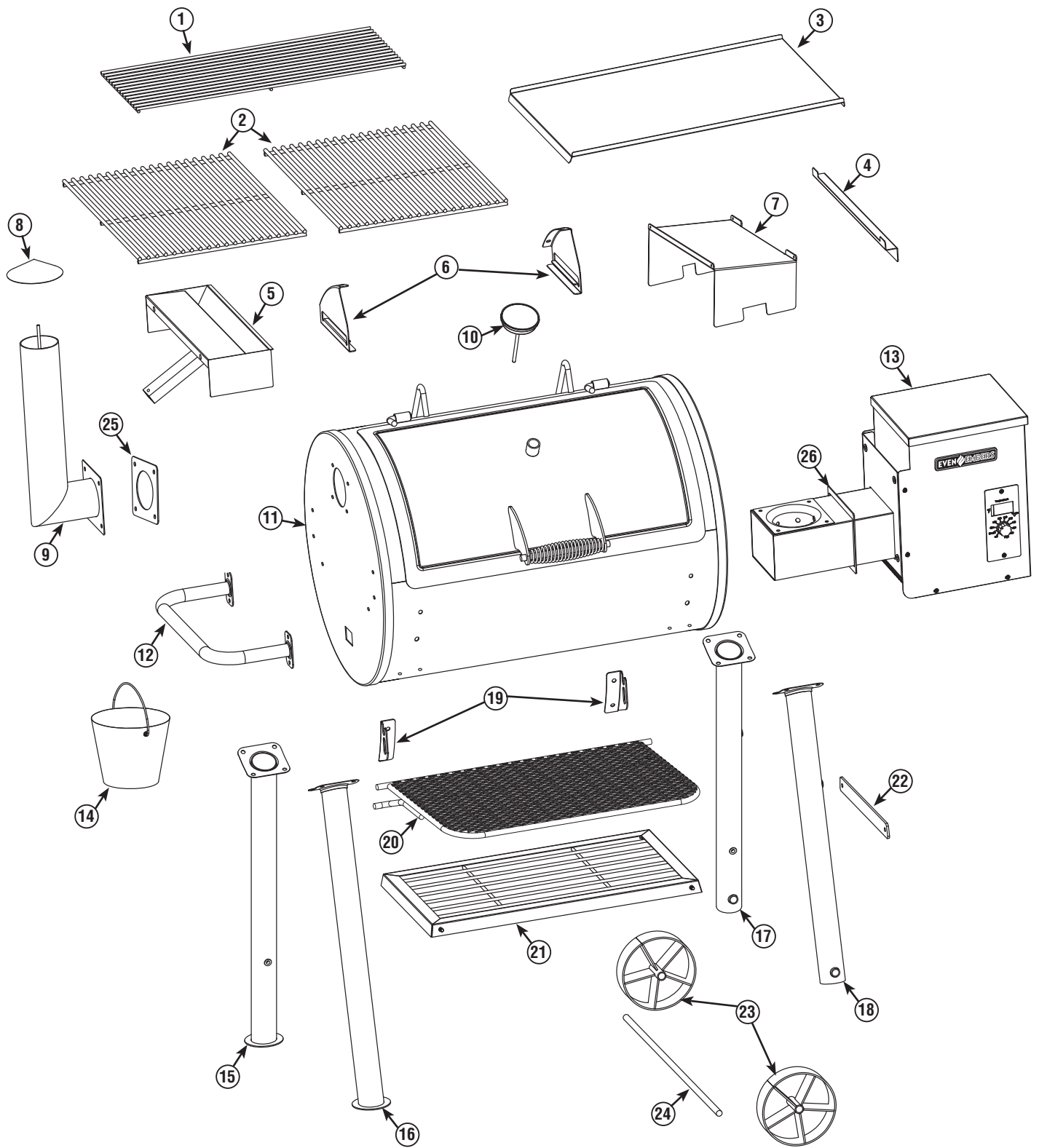
LISTA DE PARTES:

- | | | | |
|---|--------------------------------------|---|---|
| ① | 1 Bastidor calentador | ⑮ | 1 Pata trasera izquierda |
| ② | 2 Rejillas de cocina | ⑯ | 1 Pata delantera izquierda |
| ③ | 1 Bandeja de grasa | ⑰ | 1 Pata trasera derecha |
| ④ | 1 Soporte de montaje lateral derecho | ⑱ | 1 Pata delantera derecha |
| ⑤ | 1 Bandeja de drenaje de grasa | ⑲ | 2 Soporte de montaje en el estante frontal |
| ⑥ | 2 Soportes de bastidor calentadores | ⑳ | 1 Estante delantero |
| ⑦ | 1 Deflector de calor | ㉑ | 1 Estante inferior |
| ⑧ | 1 Tapa de Chimenea | ㉒ | 1 Soporte de pierna |
| ⑨ | 1 Chimenea | ㉓ | 2 Ruedas |
| ⑩ | 1 Indicador de temperatura | ㉔ | 1 Eje de rueda |
| ⑪ | 1 Conjunto de cuerpo de parrilla | ㉕ | 1 Junta de chimenea |
| ⑫ | 1 Asa lateral | ㉖ | 1 Junta de la tolva de pellet |
| ⑬ | 1 Conjunto de tolva de pellet | | |
| ⑭ | 1 Cubo de grasa | | |

PARA CUBIERTAS, ACCESORIOS Y OTROS PRODUCTOS, VISÍTENOS EN LÍNEA EN LA RED EN:

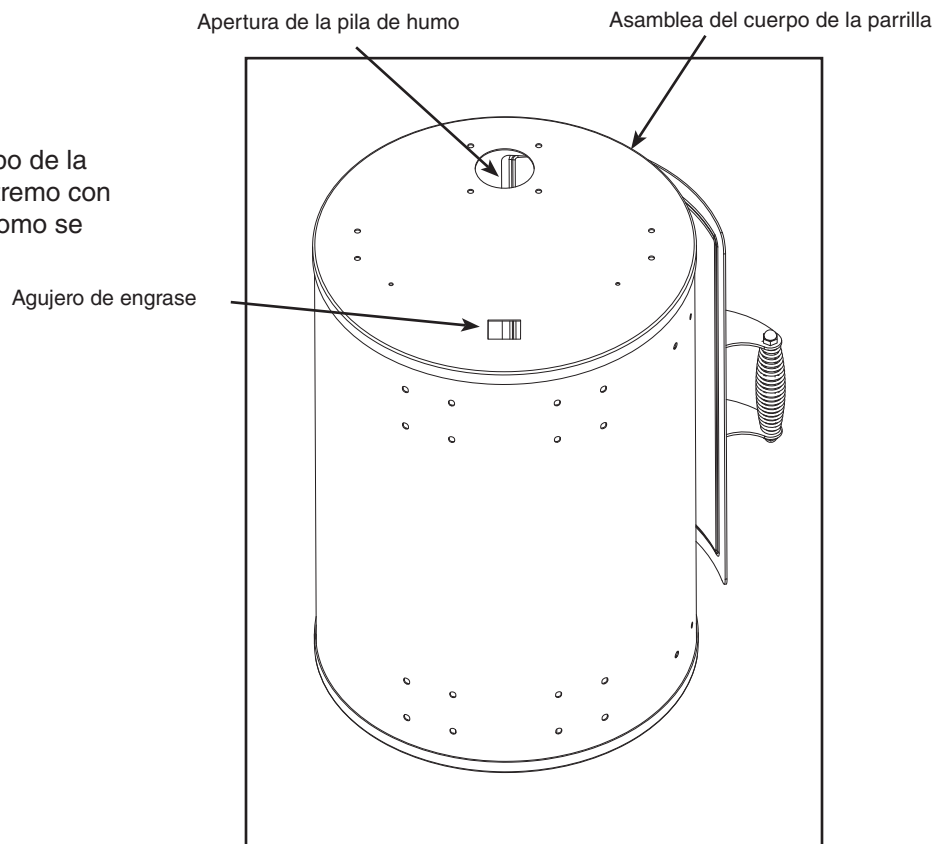
www.evenembers.com

Inspeccione el contenido de la caja para asegurarse de que todas las
piezas estén incluidas y sin daños.

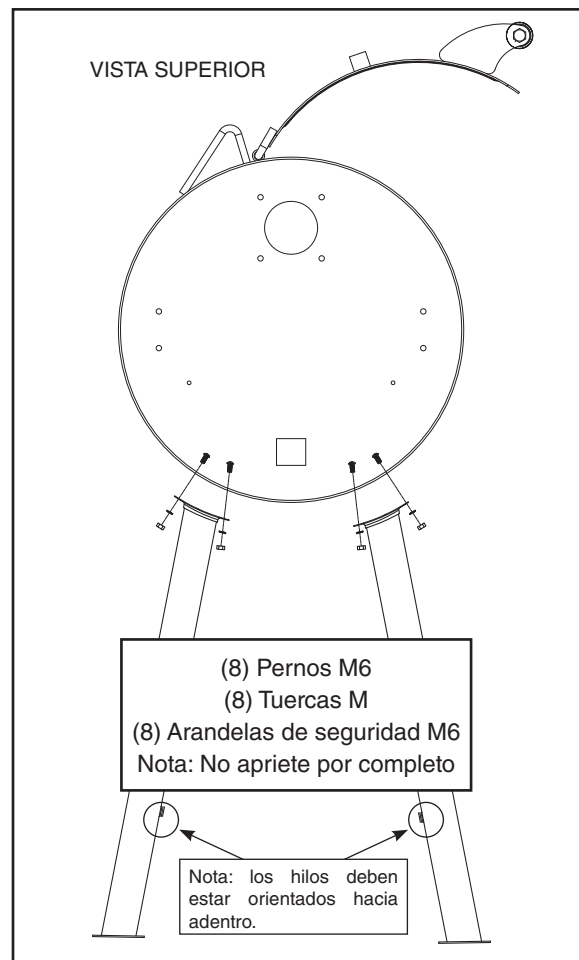


1

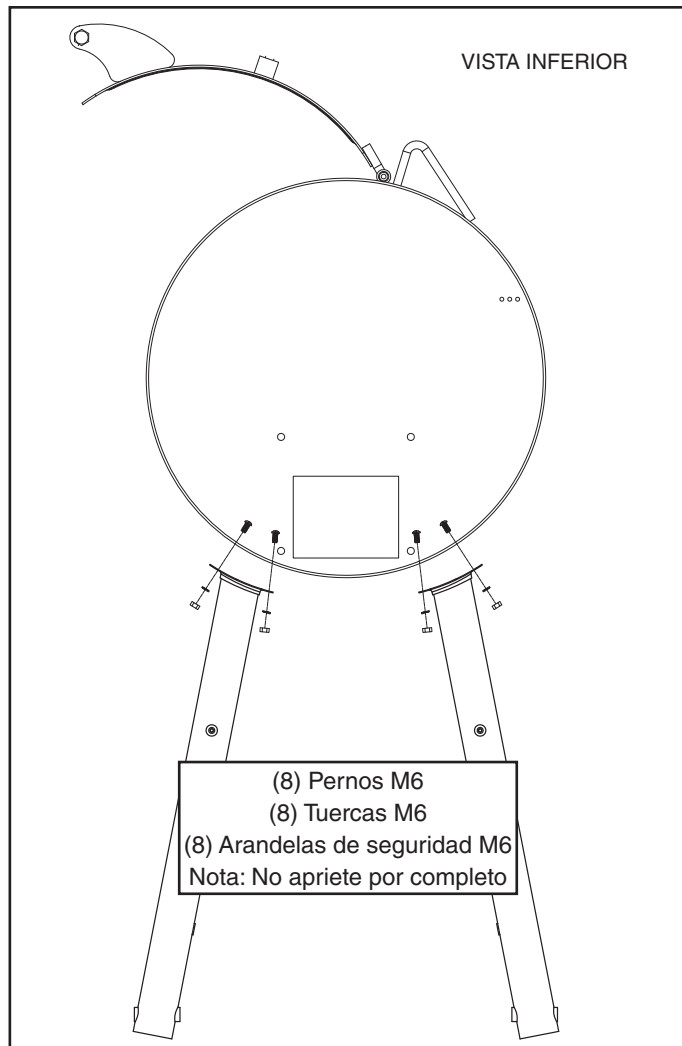
Coloque el cuerpo de la parrilla en su extremo con la tapa abierta como se ilustra.



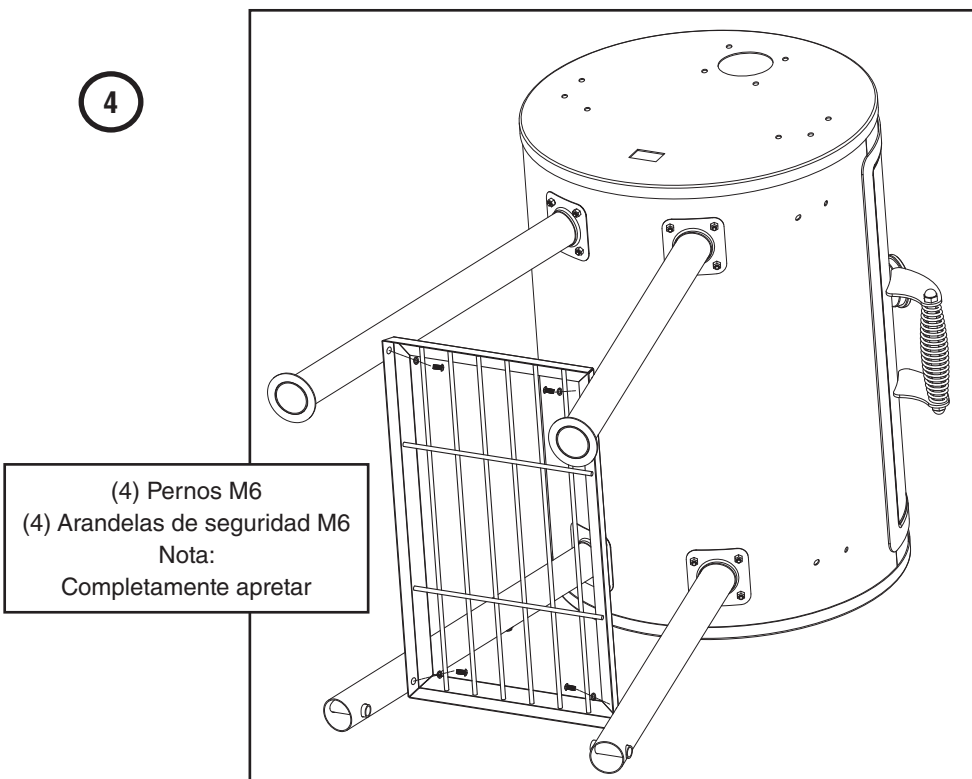
2



3

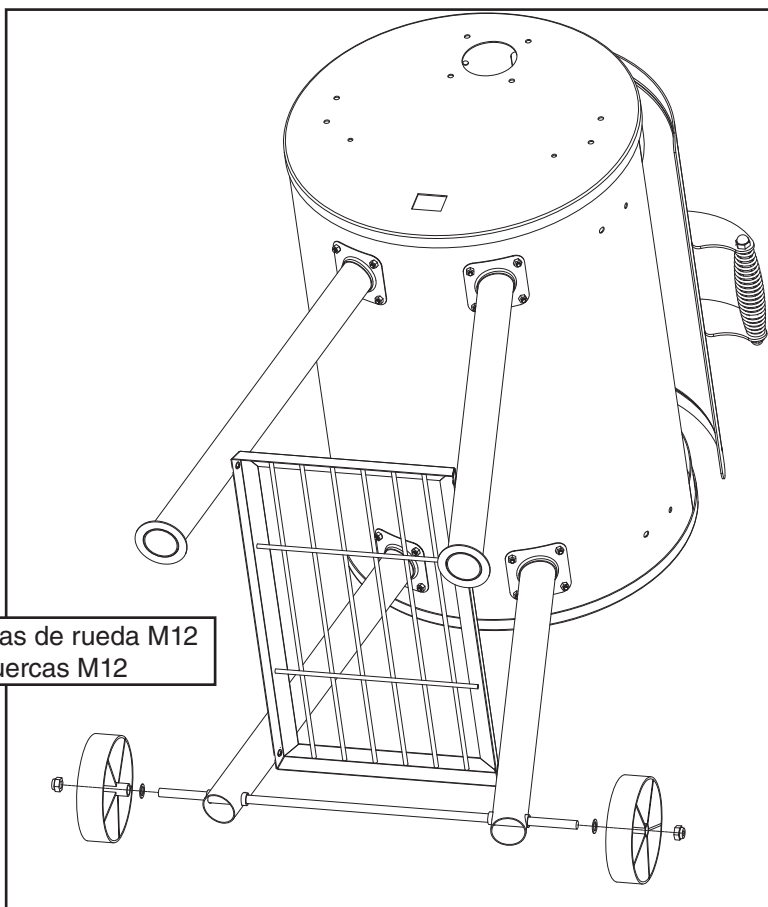


4



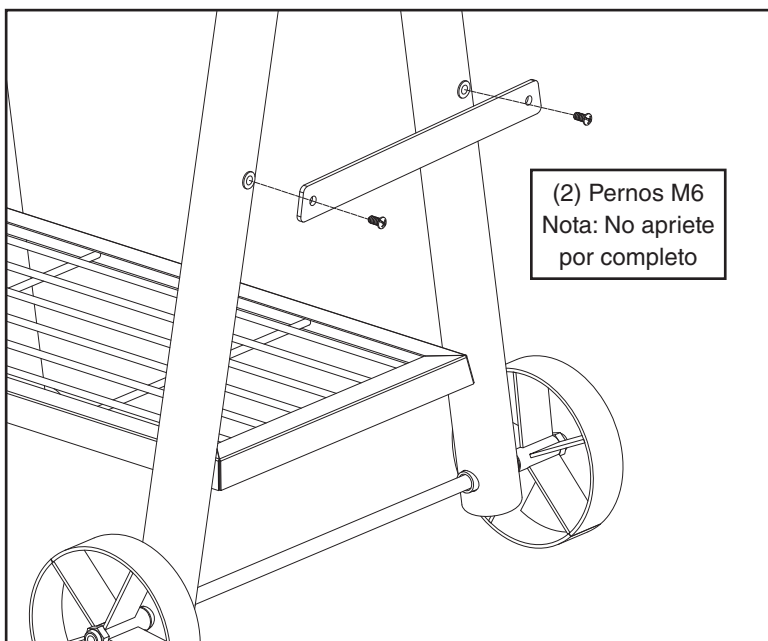
5

(2) Arandelas de rueda M12
(2) Tuercas M12



6

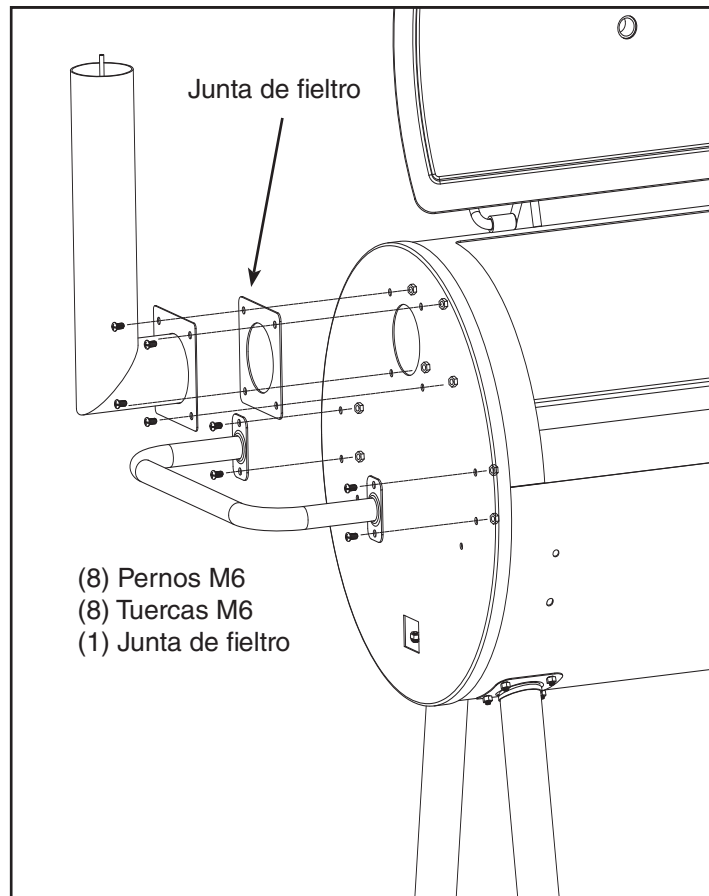
(2) Pernos M6
Nota: No apriete
por completo



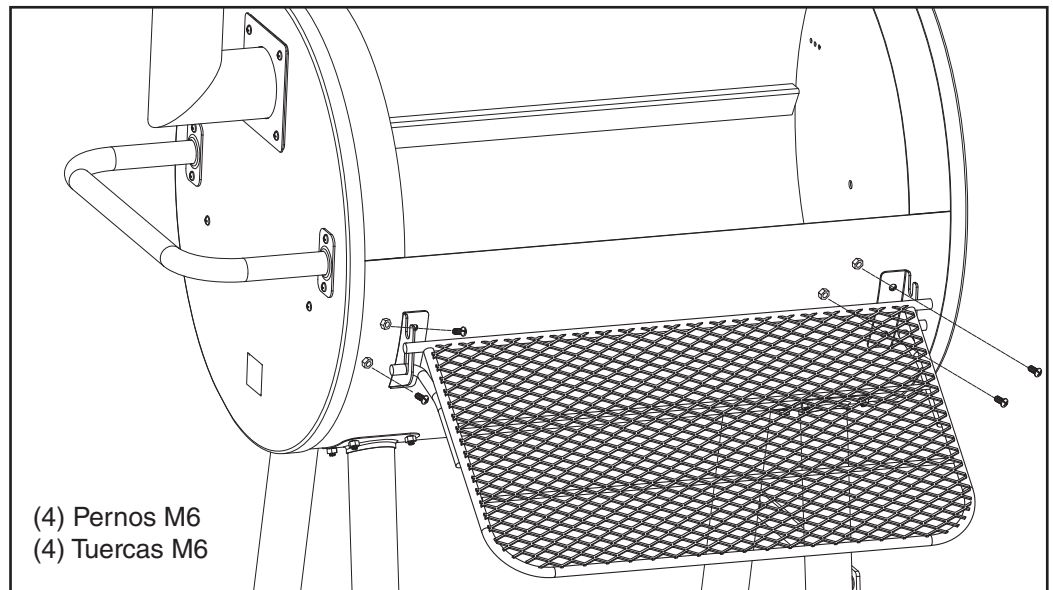
7

Una vez que haya seguido los pasos 1 a 6, coloque el ahumador en posición vertical y asegúrese de que esté nivelado. Apretar todos los pernos.

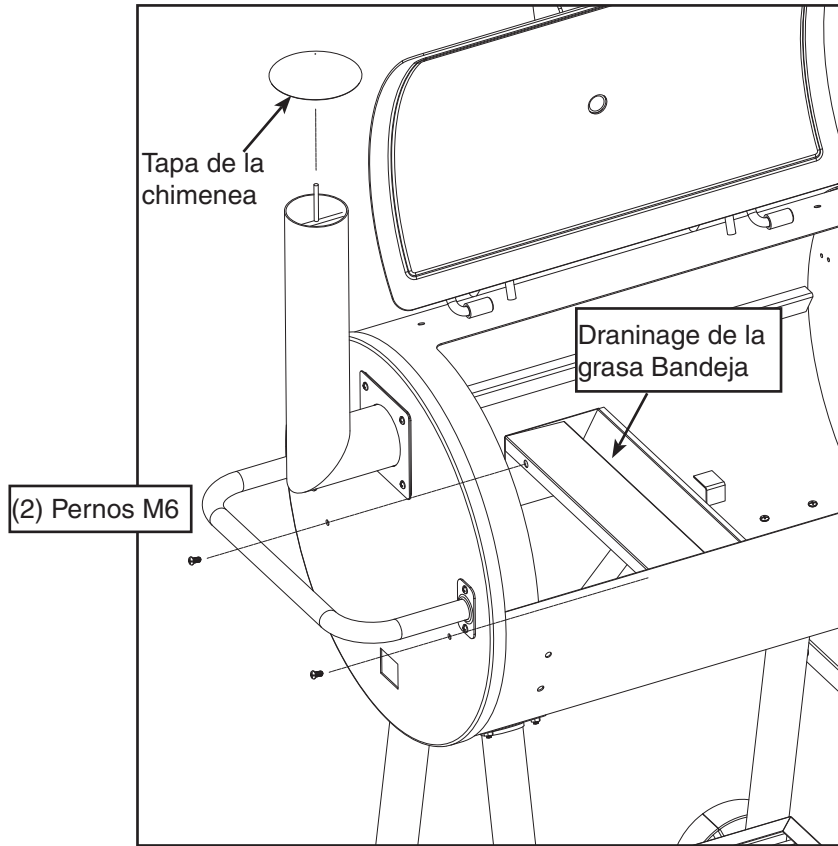
8



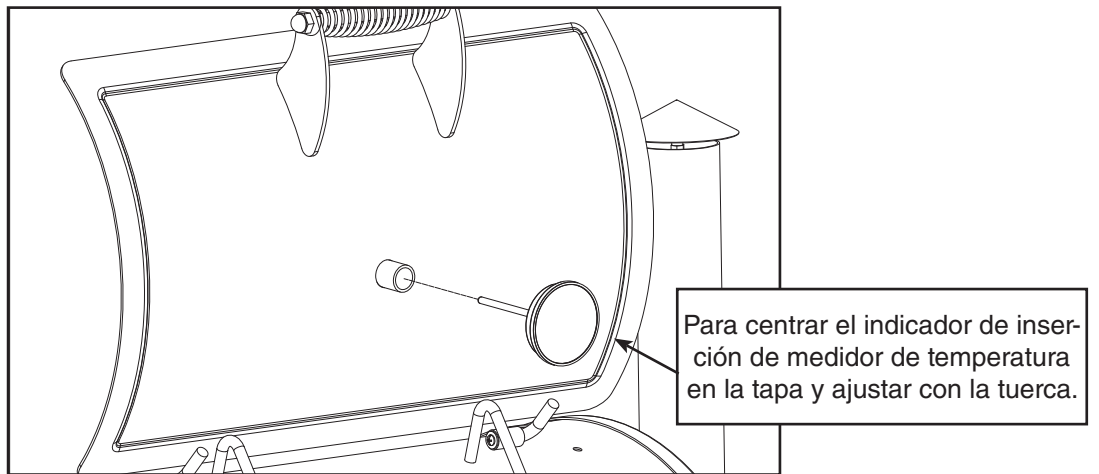
9



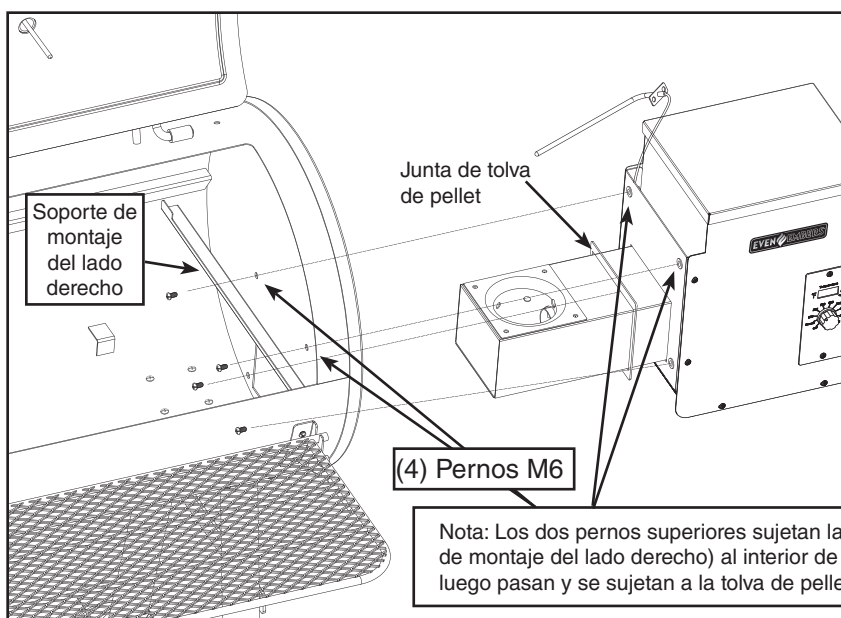
10



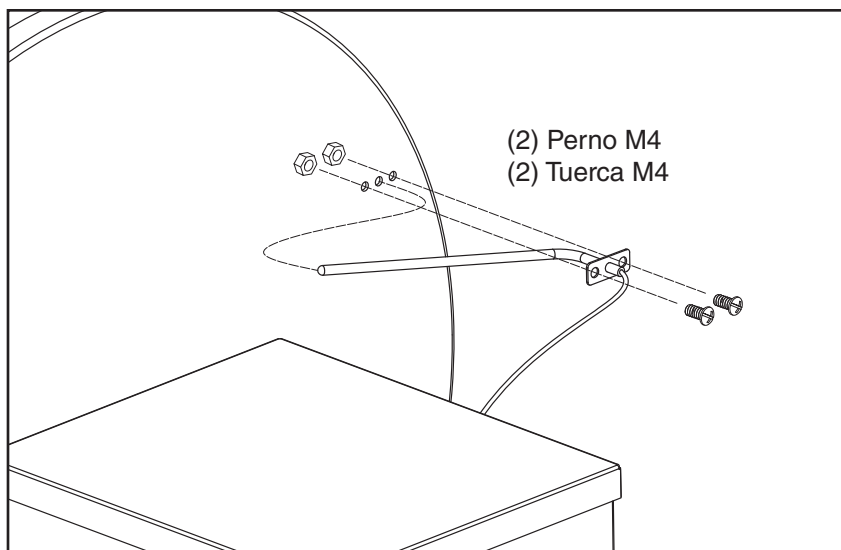
11



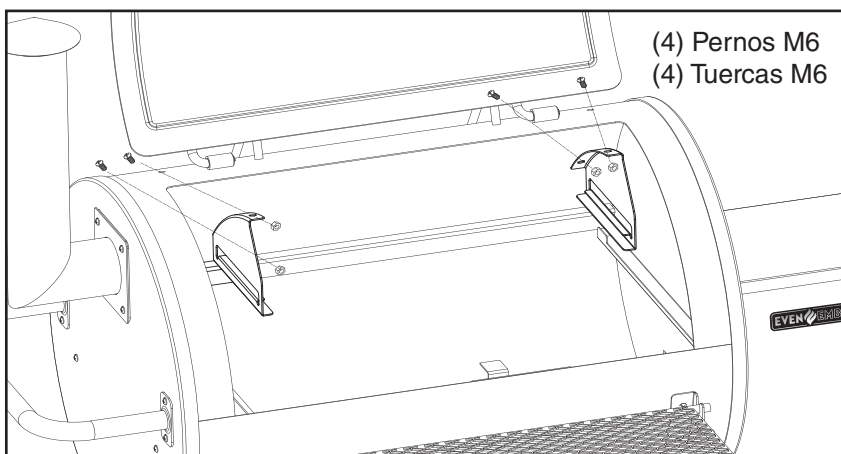
12



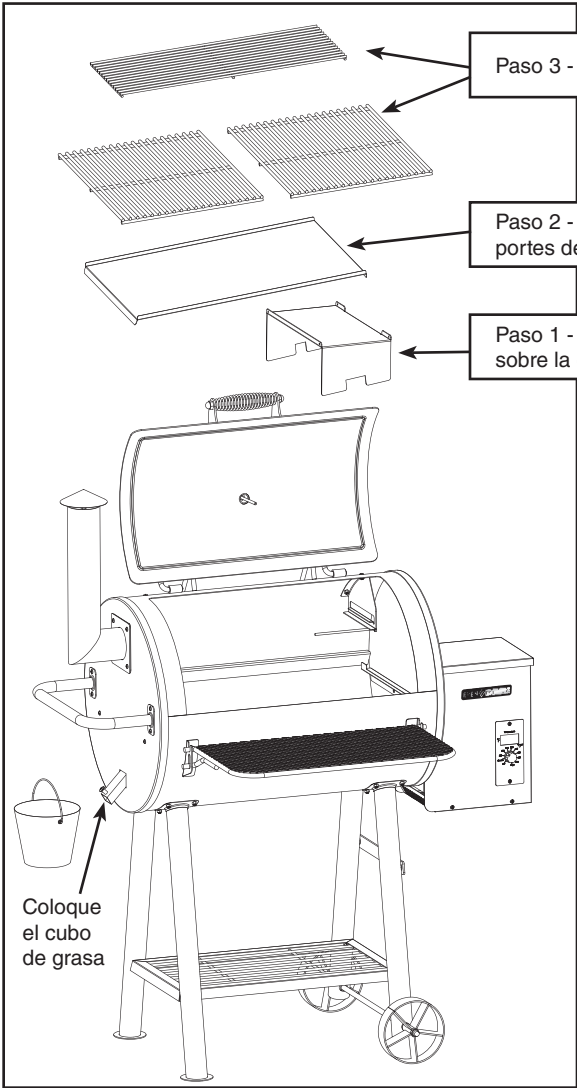
13



14



15

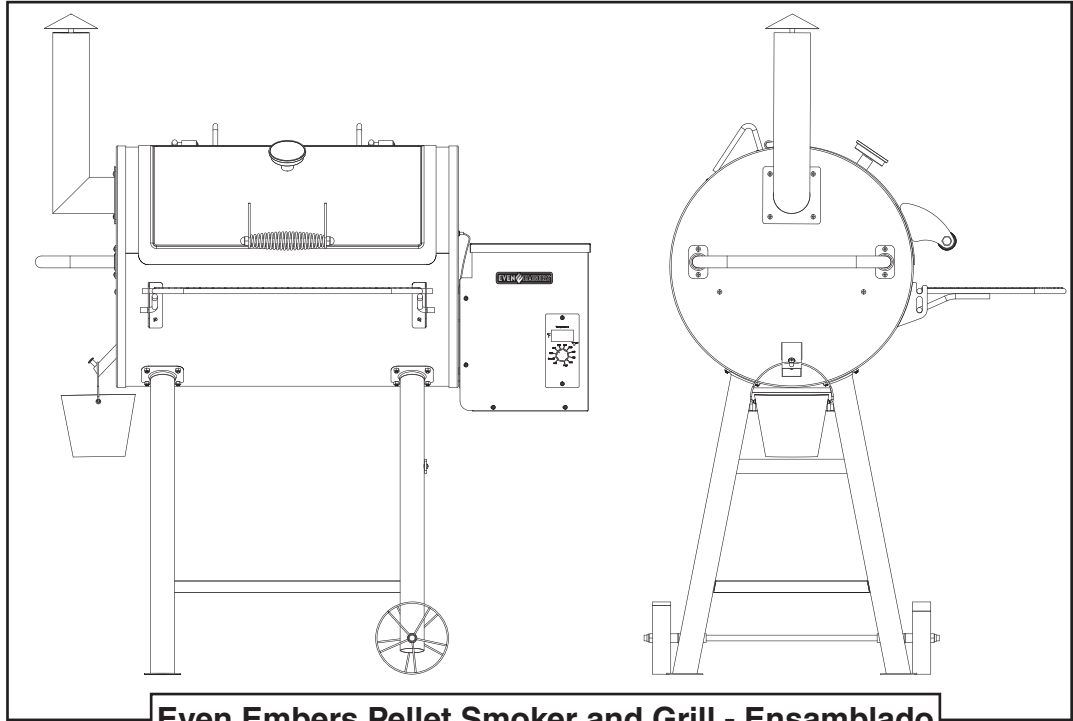


Paso 3 - Instale las parrillas de cocción y el estante calentador.

Paso 2 - Instale la bandeja de grasa de modo que se asiente en los soportes de montaje izquierdo y derecho.

Paso 1 - Instale el deflector de calor en los soportes para que se asiente sobre la olla de fuego.

Coloque el cubo de grasa



Even Embers Pellet Smoker and Grill - Ensamblado

WARRANTY

Embers Grills warrants to the original purchaser that the Even Embers® Pellet Fuel Grill is free from defects due to workmanship or materials for: One-year: frame, housing, cart, cooking grates, electric heating elements, temperature controller and other related parts

Embers Grills obligations under this warranty are limited to the following guidelines:

- This warranty does not cover grills that have been altered/modified or damaged due to: normal wear, rust, abuse, improper maintenance and/or improper use.
- This warranty does not cover surface scratches, rust or heat damage to the finish, which is considered normal wear.
- Embers Grills may elect to repair or replace damaged units covered by the terms of this warranty.
- This warranty extends to the original purchaser only and is not transferable or assignable to subsequent purchasers.

Embers Grills requires reasonable proof of purchase. Therefore, we strongly recommend that you retain your sales receipt or invoice. To obtain replacement parts for your Even Embers® Pellet Fuel Grill under the terms of this warranty, please call Customer Service Department at 1-855-735-9922. A receipt will be required. Embers Grills will not be responsible for any grills forwarded to us without prior authorization.

EXCEPT AS ABOVE STATED, THE EMBERS GRILLS MAKES NO OTHER EXPRESS WARRANTY. THE IMPLIED WARRANTIES OF MERCHANTABILITY AND FITNESS FOR A PARTICULAR PURPOSE ARE LIMITED IN DURATION TO THOSE LISTED ABOVE FROM THE DATE OF PURCHASE. SOME STATES DO NOT ALLOW LIMITATIONS ON HOW LONG AN IMPLIED WARRANTY LASTS, SO THE ABOVE LIMITATION MAY NOT APPLY TO YOU. ANY LIABILITY FOR INDIRECT, INCIDENTAL OR CONSEQUENTIAL DAMAGES ARISING FROM THE FAILURE OF THE EVEN EMBERS® PELLET FUEL GRILL TO COMPLY WITH THIS WARRANTY OR ANY IMPLIED WARRANTY IS EXCLUDED. CUSTOMER ACKNOWLEDGES THAT THE PURCHASE PRICE CHARGED IS BASED UPON THE LIMITATIONS CONTAINED IN THE WARRANTY SET OUT ABOVE. SOME STATES DO NOT ALLOW THE EXCLUSION OR LIMITATION OF INCIDENTAL OR CONSEQUENTIAL DAMAGES, SO THE ABOVE LIMITATION OR EXCLUSION MAY NOT APPLY TO YOU. THIS WARRANTY GIVES YOU SPECIFIC LEGAL RIGHTS, AND YOU MAY ALSO HAVE OTHER RIGHTS WHICH VARY FROM STATE TO STATE.

GARANTÍA

Embers Grills garantiza al comprador original que la Parrilla de Pellet Combustible de Even Embers® está libre de los defectos debido a la ejecución o a los materiales para: Anual: marco, cubierta, carro, rejillas para cocinar, los elementos de calefacción eléctricos, el regulador de temperatura y otras piezas relacionadas

Las obligaciones de Embers Grills con respecto a esta garantía se limitan a lo siguiente:

- Esta garantía no cubre parrillas que hayan sido alteradas/modificado o dañadas debido a: uso normal, herrumbre, maltrato, mantenimiento inadecuado y/uso inapropiado.
- Esta garantía no cubre raspones superficiales o daños térmicos al acabado, considerándose desgaste normal.
- Embers Grills puede optar ya sea por reparar o reponer unidades dañadas cubiertas por las condiciones de esta garantía.
- Esta garantía se le extiende solamente al comprador original y no es transferible o assignable a los compradores posteriores.

Embers Grills requiere un comprobante razonable de compra. Por consiguiente, recomendamos mucho que guarde su recibo o factura de compra. Para obtener las piezas de repuesto para su Parrilla de Pellet Combustible Even Embers® bajo las condiciones de esta garantía, llame por favor al Departamento de Atención al Cliente al 1-855-735-9922. Exigiremos un recibo. Embers Grills no se hará responsable por cualquier parrillas que se nos envía sin previa autorización. La Parrilla de Pellet Combustible Even Embers® debe ser devuelto al lugar original de su compra para que la unidad sea repuesta.

EXCEPTO COMO SE DECLARÓ ARRIBA, EMBERS GRILLS NO DA EXPRESAMENTE NINGUNA OTRA GARANTÍA. LAS GARANTÍAS IMPLÍCITAS DE COMERCIALIZACIÓN Y ADECUACIÓN PARA UN PROPÓSITO EN ESPECIAL SE LIMITAN A UN AÑO A PARTIR DE LA FECHA DE COMPRA. ALGUNOS ESTADOS NO PERMITEN LIMITACIONES RELACIONADAS CON LA DURACIÓN DE UNA GARANTÍA IMPLÍCITA, POR LO QUE LA LIMITACIÓN ANTEDICHA PUEDE NO APLICARSE A USTED. QUEDA EXCLUIDA TODA RESPONSABILIDAD CIVIL POR DAÑOS INDIRECTOS, INCIDENTALES O EMERGENTES DEBIDOS A QUE LA PARRILLA DE PELLETT COMBUSTIBLE EVEN EMBERS® NO CUMPLE CON ESTA GARANTÍA O CUALQUIER GARANTÍA IMPLÍCITA. EL COMPRADOR RECONOCE QUE EL PRECIO DE COMPRA COBRADO SE BASA EN LAS LIMITACIONES CONTENIDAS EN ESTA GARANTÍA PRESENTADA ARRIBA. ALGUNOS ESTADOS NO PERMITEN LA EXCLUSIÓN O LIMITACIÓN DE DAÑOS INCIDENTALES O EMERGENTES, POR LO QUE LA LIMITACIÓN O EXCLUSIÓN ANTERIOR QUIZÁ NO SEA PERTINENTE PARA USTED. ESTA GARANTÍA LE DA DERECHOS LEGALES CONCRETOS Y ES POSIBLE QUE USTED TENGA OTROS DERECHOS QUE VARÍAN DE UN ESTADO AL OTRO