

**MODEL 51 ROOM HEATER AND MODEL 51ZC
ZERO CLEARANCE CABINET
NON-CATALYST**

SAFETY NOTICE

FEATURES

PREPARATIONS

INSTALLATION

OPERATION

MAINTENANCE

SAFETY

**IF THIS HEATER IS NOT PROPERLY INSTALLED, A HOUSE FIRE MAY RESULT.
FOR YOUR SAFETY, FOLLOW THE INSTALLATION INSTRUCTIONS.
CONTACT LOCAL BUILDING OR FIRE OFFICIALS CONCERNING
RESTRICTIONS AND INSTALLATION INSPECTIONS IN YOUR AREA.**

TESTED AND LISTED BY: ITS/WARNOCK HERSEY, MIDDLETON, WI



**MANUFACTURED BY
NEW BUCK CORPORATION - SPRUCE PINE, NC 28777**

Revised 6/2001

TABLE OF CONTENTS

Important Instructions	3
SECTION I: Introduction	4
SECTION II: Masonry Insert Installation.....	5
Installation Preparation-Fireplace	6
Mounting the Trim Panels	7
SECTION III: Pre-Fab Insert Installation.....	10
SECTION IV: Residential Freestanding Installation.....	11
Freestanding Installation Clearances	18
Installation of Close Clearances Shields.....	20
Alcove Installation Clearances	21
SECTION V: Freestanding Mobile Home Installation.....	23
SECTION VI: Wood Heater Safety.....	28
SECTION VII: Operation	29
SECTION VIII: Troubleshooting	30
ZERO-CLEARANCE CABINET MODEL 51ZC.....	32
Residential Installation.....	33
Mobile Home Installation.....	42
Preventive Maintenance And Safety Precautions.....	48
Removing Model 51 Room Heater From Model 51ZC Cabinet.....	49
Reinstalling The Model 51 Room Heater In The Model 51ZC Cabinet.....	50
Model 51 Room Heater And Model 51ZC Cabinet Identification.....	51
Warranty.....	52

INSTALLATION, OPERATION, AND MAINTENANCE INSTRUCTIONS MODEL 51

READ THIS FIRST

IMPORTANT INSTRUCTIONS

WARNING

THESE UNITS GENERATE A LOT OF HEAT, SO TREAT THEM WITH CARE. **HOT WHILE IN OPERATION!** KEEP CHILDREN, CLOTHING AND FURNITURE AWAY. CONTACT MAY CAUSE SKIN BURNS. READ ALL INSTRUCTIONS BEFORE INSTALLING AND USING THE APPLIANCE. FAILURE TO FOLLOW INSTRUCTIONS MAY RESULT IN PROPERTY DAMAGE, BODILY INJURY, OR EVEN DEATH. SAVE THESE INSTRUCTIONS FOR FUTURE REFERENCES.

- The New Buck Corp. non-catalytic systems have been tested by ITS, Warnock Hersey to ANSI/UL Standards 1482.
- Install and operate your units according to instructions provided in this manual. Local building codes may apply; therefore, contact your local building inspector or fire marshal for necessary installation requirements and permits which may go beyond these instructions.
- **If appliance is installed in mobile homes: “DO NOT INSTALL IN SLEEPING ROOMS.”**
- The Model 51 is approved for use in specified Zero Clearance fireplaces (ZCF’s).
- Examine the masonry fireplace and chimney prior to installation of the fireplace accessory to determine that the construction meets the minimum fireplace construction requirements illustrated in the instructions, that it is free from cracks, loose mortar, creosote deposits and other blockage, or other signs of deterioration.

CAUTION

DO NOT USE MORE THAN ONE STOVE TO A CHIMNEY. DO NOT USE A FLUE INTENDED FOR A GAS APPLIANCE.

- A factory-built prefabricated chimney may be used for your unit when installed in compliance with the manufacturer's specification and uniform building code.

CAUTION

YOUR CHIMNEY MUST BE CORRECTLY SIZED. A CHIMNEY THAT IS TOO SMALL OR LARGE IN DIAMETER, OR TOO SHORT, CAN CAUSE YOUR STOVE TO SPILL SMOKE WHEN THE DOOR IS OPENED.

SECTION I

INTRODUCTION

Your new Buck is a non-catalytic unit designed to meet the most stringent emissions standards without the use of a catalytic combustor. This effect is achieved through the use of secondary air which is mixed with primary air in the unit's firebox. **For peak performance, we suggest the use of hard seasoned wood.**

The primary air, which is controlled by the user, burns the wood. Secondary air is admitted into the firebox through the secondary air tubes at the top of the firebox. This secondary air burns the impurities in the smoke released from the initial wood burning. The temperature necessary for this combustion is maintained through the firebrick refractory. If any more technical information is necessary, contact your local dealer.

Under specific test conditions this heater has been shown to deliver heat at rates ranging from approximately 11,800 to 40,900 BTU/HR.

These unit may also be used with optional room air blower. To order the optional motor assembly you must specify the stove model number and give the following part number:

*Model 51 Motor Assembly—MA 5126715

For operation and use of this electrical assembly, see instructions provided with the motor assembly kit.

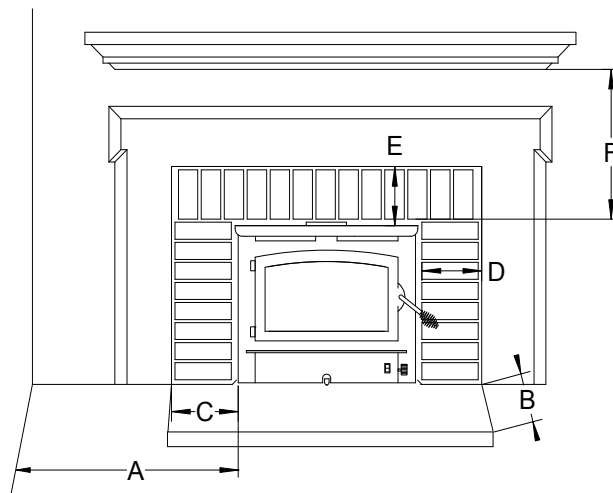
SECTION II

MASONRY INSERT INSTALLATION

The Model 51 may be installed using an all masonry fireplace built in accordance with the Uniform Building Code and National Fire Protection Association (NFPA). The first step in this type of installation is to determine the acceptability of the fireplace and chimney for use with a woodstove. Both the construction and condition of the fireplace are important considerations when installing a woodstove. It is not necessary to direct connect this unit unless installed in an improper drawing fireplace or oversized flue. The chimney should extend at least 3' above the roof and at least 2' above any point of the roof within 10'.

CAUTION

REMEMBER TO HAVE YOUR CHIMNEY INSPECTED FOR LEAKS AND BLOCKAGE BEFORE YOU INSTALL YOUR STOVE.



MODEL 51

A. Side Wall Combustible	16"
B. Front Floor Protector	20"
C. Side Floor Protector	4"
D. Side Wood Trim	10"
E. Top Wood Trim	10"
F. Mantel or Brackets	24"

MINIMUM CLEARANCES

1. The hearth must be of masonry construction and must extend a minimum of 20" in front of the firebox opening and a minimum of 16" to either side of the firebox opening.
2. If there is not minimum hearth protection from the front of the firebox opening and the front of the masonry hearth, a floor protector must be used in front of the hearth to protect combustible materials. The floor protector must be 3/8" minimum thickness non-combustible material or equivalent.

POSSIBLE TOOLS NEEDED FOR INSTALLATION

If you decide to install your own stove, there are several hand tools you may need to do the job. If you do not already have them, they are readily available at most hardware stores.

Caulking gun

Large adjustable wrench (may not be needed)

Drop cloths or newspapers

Vacuum cleaner or whisk broom

Flashlight

1 tube of RTV silicone, Code 103 or 106, or high temperature rubber cement rated between 450° F- 600° F

7/32" drill bit and drill

Socket/Ratchet Set

INSTALLATION PREPARATION

Fireplace:

1. Locate furniture and other materials away from the front of the fireplace to allow free access to the fireplace.
2. Cover the hearth and adjacent floor areas with the drop cloths to protect from soiling or marring the surface.
3. Remove the existing fireplace damper plate.
4. Thoroughly clean the fireplace of ashes and soot.
5. Check the chimney and smoke chamber for excessive buildup of creosote or soot. Also, check for obstructions, such as bird's nests. If the chimney is excessively dirty, clean it, or have someone clean it professionally BEFORE installing or using the room heater.
6. If the fireplace has an ash dump or outside air provision, these must be sealed off with metal or tightly packed non-combustible insulation to prevent cold air from entering the fireplace chamber.

INSTALLATION PROCEDURE (Use a Listed Direct or Positive Connect) **Not Shown**

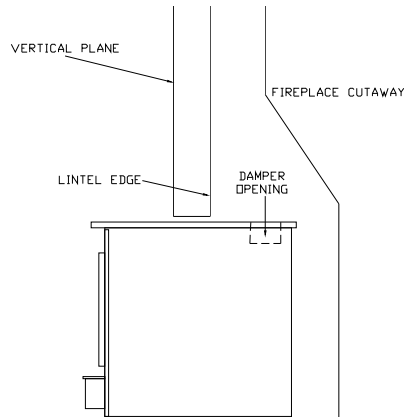


FIGURE 2 POSITIONING

POSITIONING THE HEATER

NOTE: It is not necessary to direct connect this unit unless installed in an improperly drawing fireplace or oversized flue. It is recommended a chimney connector be installed from the appliance flue collar to the first fireplace chimney section.

When positioning the heater, the following conditions **MUST** be met! (See Figure 2)

1. The front of the damper opening must be positioned **BEHIND** the rear edge of the lintel to ensure proper draft. (See Figure 2)
2. Center the heater in the fireplace opening.

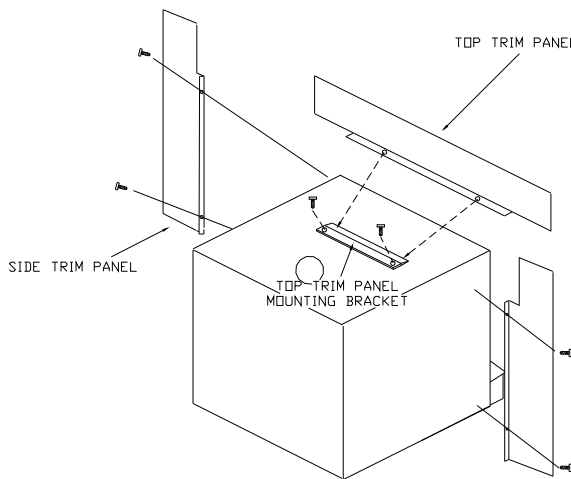


FIGURE 3 MOUNTING TRIM PANELS

MOUNTING THE TRIM PANELS

After the unit is positioned, mark the mounting position of the trim panels as follows:

1. Set the side trim panels in place, flat against the face of the fireplace. Mark down the front edge of the trim panel with a pencil to make a vertical reference line. (See Figure 3.)
2. Set the top (long) trim panel in place on top of the unit. The panel should be flat against the outside face of the fireplace, and standing vertically. Mark along the lower edge of the trim panel with a pencil to make a reference line for mounting.
3. Slide the unit out of the fireplace far enough to work behind the trim panel reference lines.

4. Mount the side trim panels. (See Figure 3.)
 - a. Position the trim panel on the reference line.
 - b. Drill mounting holes in center of trim panel mounting brackets to allow for adjustment in and out if necessary.
 - c. Mount the trim panel using the self-tapping screws provided.
5. Place top panel back on reference mark. Take top trim panel mounting bracket supplied with unit. Position bracket so it overlaps rear lip of top trim panel. Drill mounting holes in top of stove using holes in bracket as guide. Tighten down screws.
6. Now, follow the installation procedures in the listed direct connect or positive connect kit you are using and install the heater and connect kit in the fireplace. If not using direct connect kit, continue.
7. Slide the unit back into the fireplace. Check to be sure that the trim panels are properly positioned and lie flat against the front of the fireplace. If one or more of the panels is out of position, slide the unit out and reset by loosening the mounting screws and repositioning in the slot.
8. Reinstall the top trim panel by sliding the rear lip of the top trim panel underneath the front lip of the mounting bracket already secured to top of unit.

- NOTE:** Mount the top trim panel so that it sits in front of the top of the side trim panels..
- Obtain the brass trim kit provided with insert kit and slip over the top and sides of trim panels. (Top ends of brass may need to be trimmed to fit.)
 - Mount top trim panel by drilling mounting holes in center of trim panel mounting brackets, with top end side of top panel overlapping side panel.
 - Using insulation provided, peel and stick to back of panels overlapping fireplace dimensions by 1" on each side and top. (See Figure 4.)
 - Next using high heat silicone or furnace cement run heavy bead of caulking around where panels meet the stove. (See Figure 4.)
 - Slide the unit back into the fireplace. Check to be sure that the trim panels (and brass) are properly positioned and lie flat against the front of the fireplace. If panels are out of position, slide the unit out and reset by loosening the mounting screws and repositioning in the slot. With bar lift stove up in front. Place insulation across front and the surface of hearth or bottom of fireplace to make complete seal.
 - To check seal of panels, use candle flame and go around the entire area sealed by silicone and insulation. If flame leans toward inside of fireplace, add additional insulation. This ensures an airtight seal.

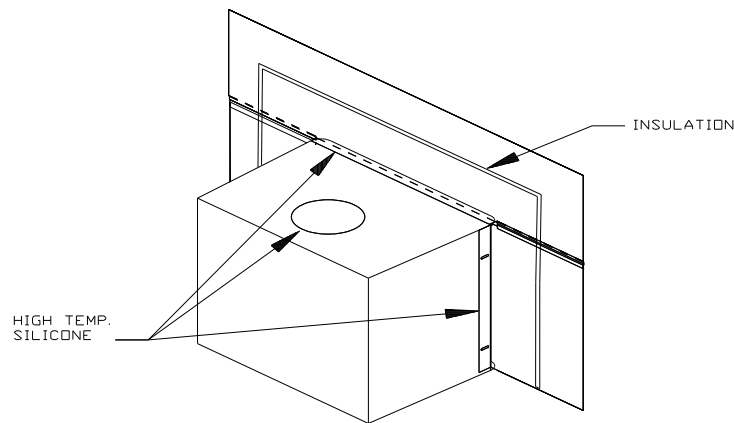


FIGURE 4

FINAL CHECK

- Recheck the specified clearances.
- Remove all foreign material from the firebox area.
- Open the primary air draft.
- Plug the power cord into a 115V AC outlet if optional motor is being used.
- Place rumpled pieces of newspaper in the stove. Light it and close the door. Ensure that the stove draws properly through the primary draft.
- Check for smoke leaks around the door.
- Open the door and check for smoke escaping from the front of the stove. Smoking usually indicates a defective or poorly positioned chimney. Some chimneys with a marginal draft can be preheated by lighting newspaper and holding it near the open damper with a poker or fire tong. Once the chimney heats up, a proper draft can usually be obtained.

CAUTION

THE UNIT IS PAINTED WITH A SPECIALLY FORMULATED HIGH TEMPERATURE PAINT THAT CURES DURING THE FIRST TWO OR THREE FIRINGS. YOU MAY NOTICE A SLIGHT SMOKING EFFECT AND AN ODOR OF BURNING PAINT WHEN YOU BUILD THE FIRST FIRES. THIS IS NORMAL AND IS NOT A CAUSE FOR ALARM. IN SOME CASES, THESE FUMES WILL ACTIVATE A SMOKE ALARM. OPENING A WINDOW NEAR THE UNIT WILL ALLOW THESE FUMES TO ESCAPE. DO NOT BUILD A LARGE, ROARING FIRE UNTIL THIS CURING IS COMPLETE OR THE HEATER FINISH MAY BE DAMAGED.

The connector and/or chimney should be inspected at least once a month during the heating season to determine if a creosote buildup has occurred.

CAUTION

NEVER USE GASOLINE, GASOLINE-TYPE LANTERN FUEL, KEROSENE, CHARCOAL LIGHTER FLUID OR SIMILAR LIQUIDS TO START OR "FRESHEN UP" A FIRE IN THE HEATER. KEEP ALL SUCH LIQUIDS WELL AWAY FROM THE STOVE WHEN IT IS IN USE. ALL FLUIDS OF THIS TYPE GIVE OFF VOLATILE FUMES AND CAN AND WILL EXPLODE!! DON'T TAKE A CHANCE WITH THE SAFETY OF YOUR HOME AND FAMILY.

SECTION III

PRE-FAB INSERT INSTALLATION

The Model 51 has been tested with the following:

Heatilator	Security
Tempco	Preway
Marco	FMI
Woodside	Majestic

The Model 51 will fit any of the models that are large enough to accept them.

NOTE: A full chimney liner is required in a Zero Clearance or pre-fab fireplace.

NOTE: The ash lip, smoke baffle, and smoke shelf may be removed if necessary to provide room for these models. Any other alteration to the unit will void ALL NBC manufacturer's responsibility and liability. The warning label below must be attached to the back of the fireplace.

Except for the “NOTES” above, please follow the instructions for Masonry Insert Installation including Minimum Clearances for stove and floor protector in Section II.

WARNING: This fireplace must be restored to its original condition for safe use, if the fireplace insert is removed.

SECTION IV

RESIDENTIAL FREESTANDING INSTALLATION

PREPARING THE STOVE FOR INSTALLATION

1. Inspect the unit for any obvious physical damage.
2. Plug the power cord into a 115V AC outlet to test the motor and fan when optional motor is being used.
3. Check the primary air draft control to ensure that it slides freely.
4. Remove any items from within the firebox. Spread the dropcloth on the floor behind the heater. Next, tilt the heater so that the back is on the drop cloth.
5. If leg kit is to be used follow steps 1-5. Then obtain legs, bolts, washer & nuts. Attach the legs to holes in bottom of unit.
6. If pedestal kit is being used, open the corresponding freestanding kit and obtain the stand. Place the stand against the bottom of the heater (angle side to heater) at the marked line. Center the stand left and right and mark screw locations on bottom through outer holes of stand mounting angles. Set stand aside and drill four 7/32" holes in heater bottom. (See Figure 4.)

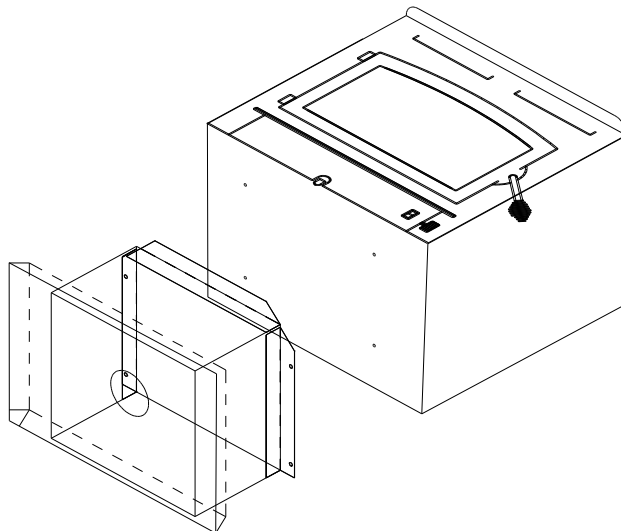


Figure 4

8. Obtain four 1/4" self-tapping screws and secure the stand to the heater.
9. Reposition the heater to the upright position.

Chimney

Ceiling Exits:

This model is designed for connection to:

- | | |
|--------------------------|-----------------|
| (1) Simpson Duravent | (4) Metal Fab |
| (2) Security | (5) Airjet |
| (3) Selkirk Metal Bestos | (6) Jakes Evans |

listed at 2100° pipe and parts. Follow pipe manufacturer's instructions carefully.

This room heater must be converted to (1) a chimney complying with the requirements for Type HT chimneys in the Standard for chimneys, Factory-Built, Residential, Type and Building Heating Appliance, UL 103, or (2) a code approved masonry chimney with a flue liner.

CAUTION

SPECIAL METHODS ARE REQUIRED WHEN PASSING THROUGH A WALL OR CEILING. SEE INSTRUCTIONS AND BUILDING CODES.

DETERMINING THE CHIMNEY LOCATION

A. CEILING EXIT (Using Single Wall Pipe and UL 103 HT type chimney system listed with manufacturer in this section of manual.)

1. Suspend a plumb bob from the ceiling above the unit so that the weight is hanging in the center of the flue exit. (A small weight on a string will serve as a plumb bob.) Mark the ceiling where the string is suspended to locate the center of the chimney.
2. After locating the center of the hole, install the ceiling support box, chimney flashing and rain cap per the chimney manufacturer's instructions.
3. Now connect the stove and ceiling support box using #24 ga. minimum blued or black steel connector pipe (**DO NOT USE GALVANIZED PIPE**). Connect each section so the crimped end faces downward, and secure each section to each other using at least three (3) sheet metal screws or rivets. Also use three (3) sheet metal screws to fasten pipe to collar on heater. (See Figure 5.)

Figure 5

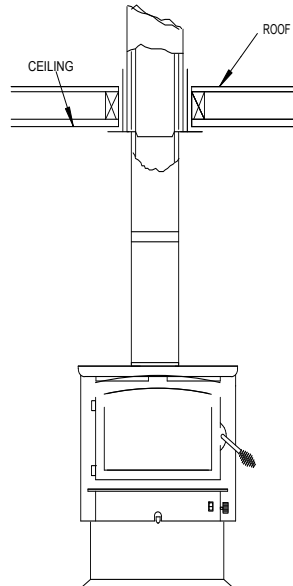
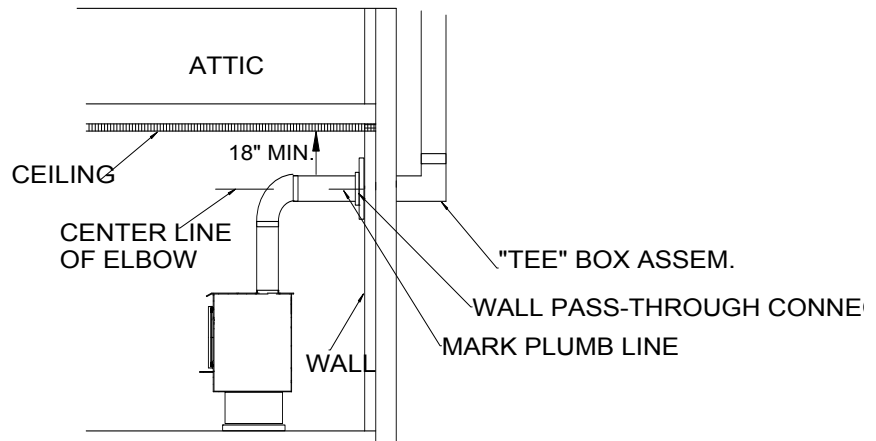


Figure 6



B. Wall Exit Into Metal Tee-Box

1. Mark the plumb line on the wall directly behind the center of the heater. (See Figure 6.)

NOTE: When using 24# ga. minimum blue or black steel pipe, maintain 18" between pipe and ceiling.

2. Place the vertical portion of the heater pipe and the elbow in position and project a point onto the plumb line level with the center of the elbow.

3. Measure up so there will be at least 1/4" rise per foot of horizontal connector pipe, maintaining clearances to the ceiling as noted in Figure 6. This will give you the center of the hole for the chimney penetration.
4. After locating the center of the penetration, install the tee-box and chimney as per the chimney manufacturer's specifications.
5. Connect the chimney collar to the tee-box using #24 ga. minimum blued or black steel connector pipe. **DO NOT** use galvanized pipe. Connect each section so the crimped end faces downward, and secure each section to each other using three (3) sheet metal screws or rivets.

C. Wall Exit Into Masonry (Using Single Wall Pipe)

1. Before connecting these units to a masonry chimney, determine that the masonry fireplace wall pass-through connector thimble meets the NFPA-211 Code and local building codes and is a minimum of 18" from the ceiling. If the connector thimble does not meet these codes, the pass-through connector must be modified. (See Figure 7.)

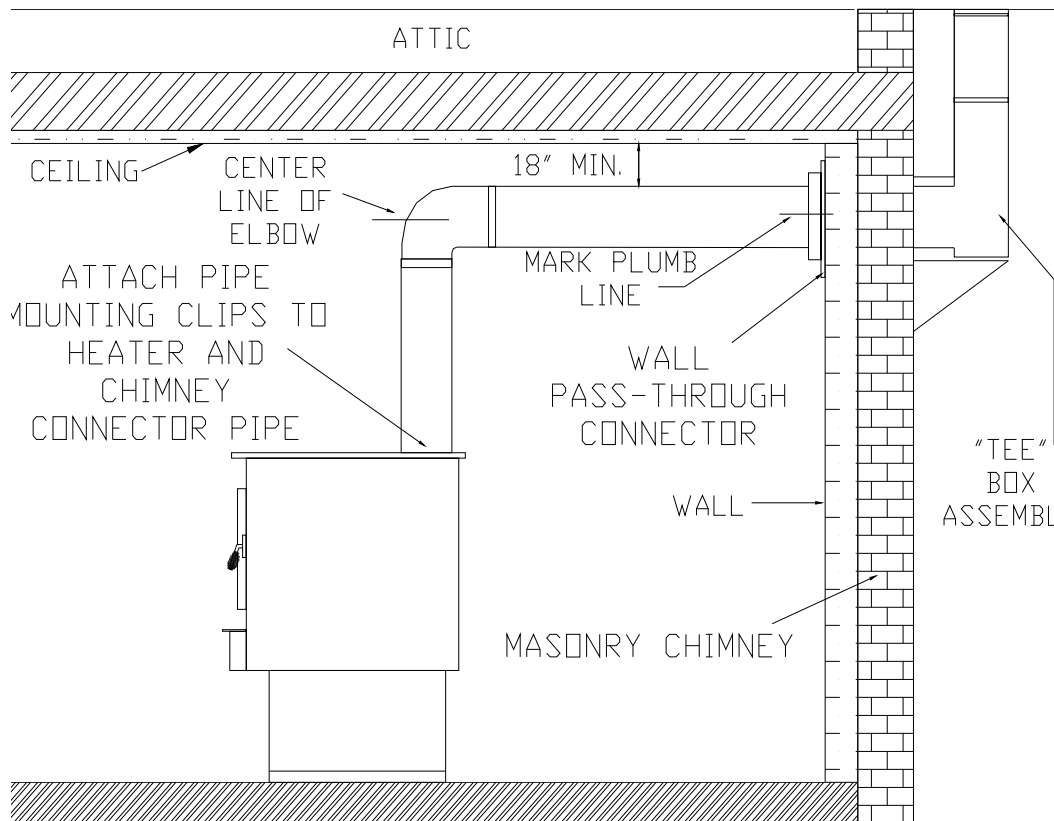


Figure 7

Connectors may pass through walls or partitions constructed of combustible material if the connector is:

- (a) Either listed for wall pass-through or is routed through a device listed for wall pass-through and is installed in accordance with the conditions of the listing.
- (b) Selected or fabricated in accordance with the conditions and clearances as stated in the **NFPA-211** Code. Any unexposed metal that is used as part of a wall pass-through system and is exposed to flue gases shall be constructed of stainless steel or other equivalent material that will resist corrosion, softening, or cracking from flue gases at temperatures up to 1800° F.

In addition, a connector to a masonry chimney shall extend through the wall to the inner face or liner but not beyond, and shall be firmly cemented to masonry.

EXCEPTION: A thimble may be used to facilitate removal of the chimney connector for cleaning, in which case the thimble shall be permanently cemented in place with high-temperature cement.

2. Once the through-the-wall thimble codes are met, simply connect the chimney collar to the wall pass-through connector using #24 ga. minimum, blued or black steel connector pipe as follows:
 - (a) Maintain 1/4" rise per foot (horizontal length) from the appliance to the chimney.
 - (b) Connect each section so the crimped end faces downward.
 - (c) Secure each section to each other using at least three (3) sheet metal screws or rivets.
 - (d) Use three (3) sheet metal screws to fasten pipe to connector collar on heater.

D. Ceiling Exit-Close Clearance

1. Suspend a plumb bob from the ceiling above the unit so that the weight is hanging in the center of the flue exit (A small weight on a string will serve as a plumb bob). Mark the ceiling where the string is suspended to locate the center of the chimney hole.
2. After locating the center of the hole, install the ceiling support box, chimney flashing and rain cap.
3. Next, install a New Buck Corporation chimney connector to the flue exit of the heater.
4. Install Double Wall Connector and chimney system per manufacturer's written operating instructions. See manufacturer's list of tested pipes in this manual.

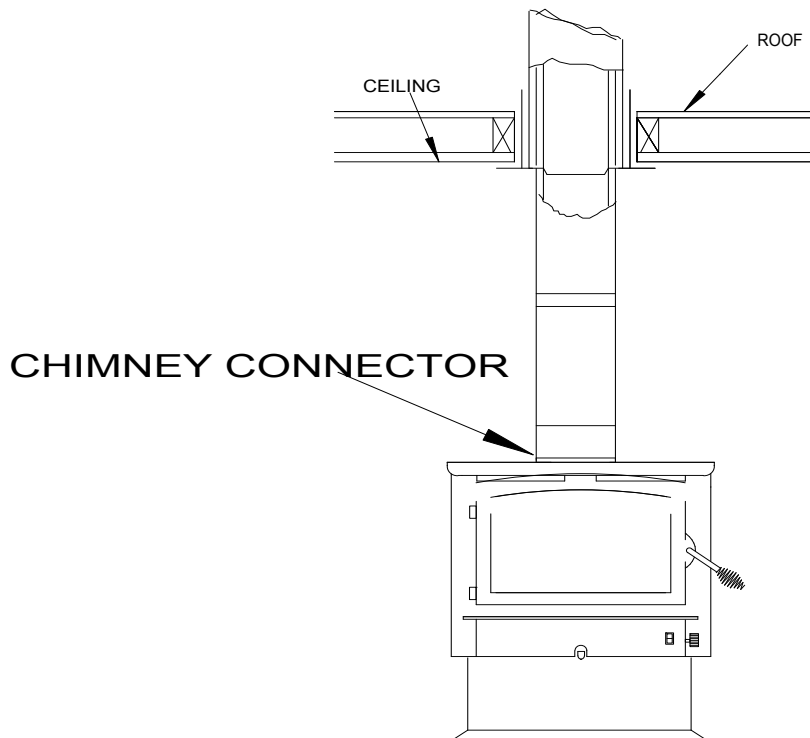


Figure 8

Close Clearance Installation using: **(1)** 8" Simpson Dura-Vent double wall chimney connector "Type DVL" and 8" Simpson Dura-Vent 2100° HT. "Type DP" chimney. **(2)** 8" Security Type DL double wall connector and 8" Security Type "ASHT" High Temp Chimney. **(3)** 8" Selkirk Metal Bestos Model "DS" double wall connector- 8" Selkirk Metal Bestos Model SSII Type HT Chimney System. **(4)** 8" Metal Fab Type "DW" double wall connector- 8" Metal Fab 2100 HT chimney. **(5)** 8" Air Jet. **(6)** Jakes Evans. For measurements refer to page 23. For minimum clearances see pages 19 & 20.

Alcove Installation Clearances

Must use 6" Double Wall Connector and 6" Type HT Pipe listed for close clearance reduction listed in this manual. For measurements refer to page 23. For minimum clearances see pages 19 & 20.

FINAL CHECK

1. Recheck the specified clearances.
2. Remove all foreign material from the firebox area.
3. Open the primary air draft.
4. Plug the power cord into a 115V AC outlet when using with optional motor.
5. Place crumpled pieces of newspaper in the stove. Light it and close the door. Ensure that the stove draws properly through the primary draft.
6. Check for smoke leaks around the door.

CAUTION

Open the door and check for smoke escaping from the front of the stove. Smoking usually indicates a defective or poorly positioned chimney. Some chimneys with a marginal draft can be preheated by lighting newspaper and holding it near the open damper with a poker or fire tong. Once the chimney heats up, a proper draft can usually be obtained.

If a thorough review of the Troubleshooting Guide in the rear of the manual does not reveal the problem, contact your dealer for assistance.

CAUTION

The unit is painted with a specially formulated high temperature paint that cures during the first two or three firings. You may notice a slight smoking effect and an odor of burning paint when you build the first fires. This is normal and is not a cause for alarm. In some cases, these fumes will activate a smoke alarm. Opening a window near the unit will allow these fumes to escape. DO NOT build a large, roaring fire until this curing is complete or the heater finish may be damaged.

CLEARANCES FOR MODEL - 51 MINIMUM CLEARANCES TO COMBUSTIBLES FREESTANDING

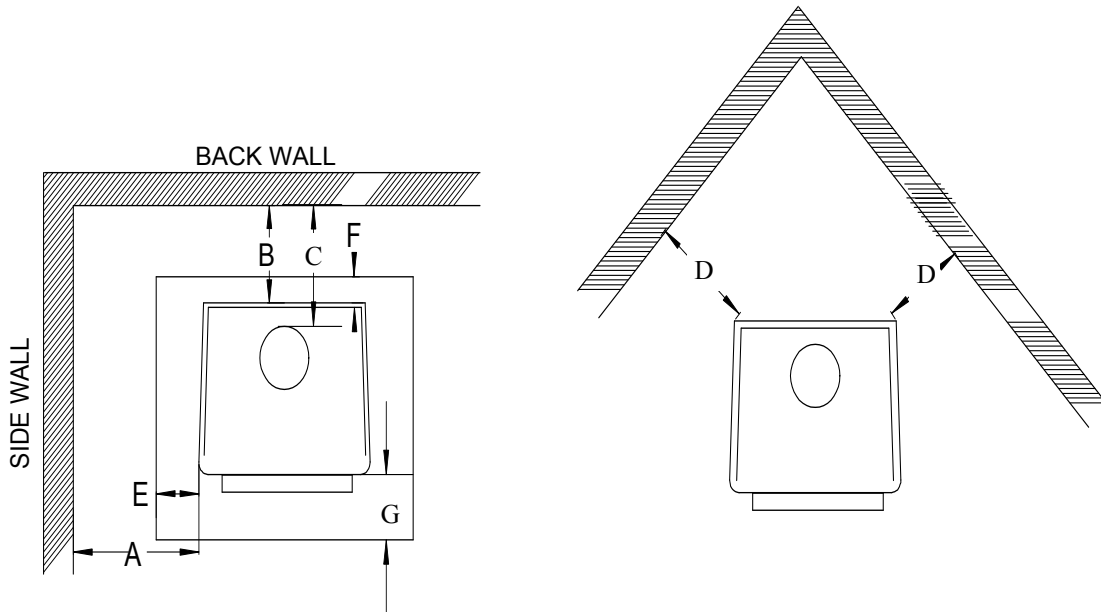


Figure 9

MODEL	A	B	C	D	E	F	G
MODEL 51	16"	15"	18"	10"	4"	6"	20"

NOTE: All clearances are to combustibles without low clearance shields and using single wall pipe and minimum floor protector. The clearances above may be reduced. Follow **NFPA-211** codes if available or follow instructions on next page.

CLEARANCES FOR MODEL - 51 MINIMUM CLEARANCES TO COMBUSTIBLES DOUBLE WALL WITH SHIELDS

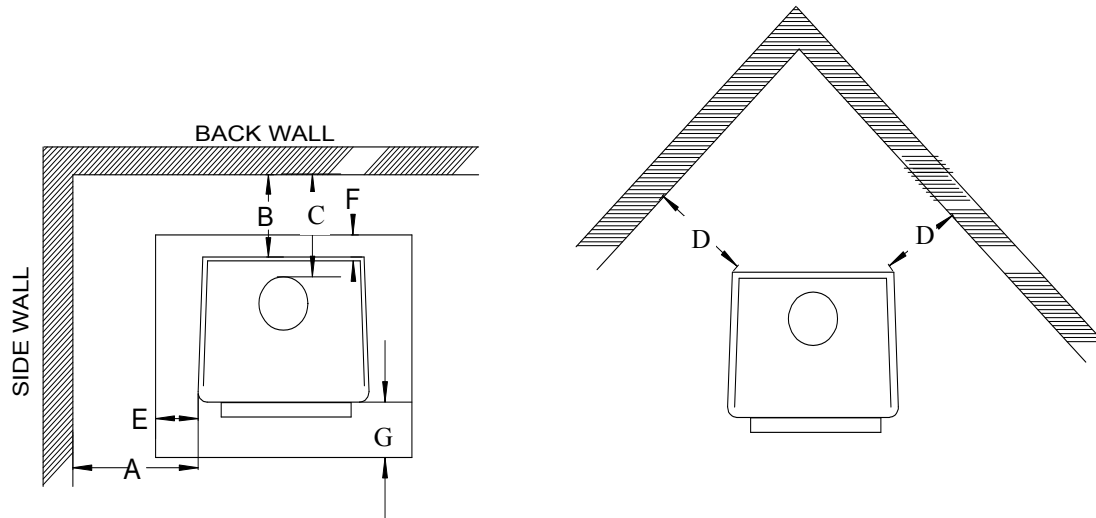


Figure 10

MODEL	A	B	C	D	E	F	G
MODEL 51	14"	6"	10"	6"	4"	6"	20"

NOTE: All clearances are to combustibles with all low clearance shields and double wall pipe and minimum floor protector.

Installation of Close Clearance Shields (Optional)

1. Taking close clearance side shields, hold up to side of stove leaving 1/4" gap between shield and top of stove.
2. Make reference mark in center of pre-punched hole in top & bottom of shield. Drill two (2) 3/32" holes in back of unit on each side. Insert self-tapping screws in through shield into stove.
3. Drill two (2) 3/16" holes in the sides of the stove where the shield meets the front side. Insert two (2) 3/8" self-tapping screws.
4. Taking brass trim, loosen the two (2) 3/8" self-tapping screws at front of unit. Slide the brass trim flat side against stove until round part meets front of shield. Tighten screws.
5. Next loosen two (2) top screws holding side shield at rear top. Insert pipe shield where back shield and top rear side shield meets. Tighten screws.

ALCOVE INSTALLATION CLEARANCES

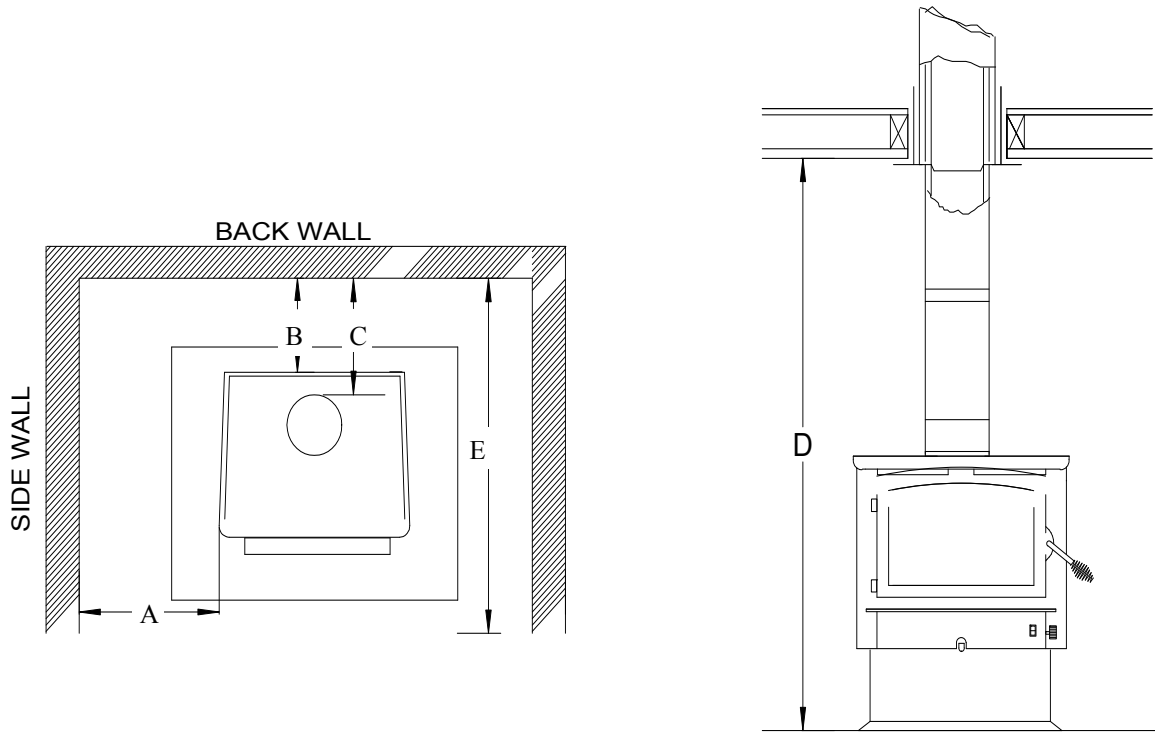


Figure 11

MODEL	A	B	C	D	E
MODEL 51	14"	6"	10"	84"	36"

NOTE: Clearances to be used with double wall low clearance pipe and low clearance shield kit only.

MINIMUM CLEARANCES CHART

MODEL 51

	Mobile Home / Residential Single Wall Pipe	Mobile Home/ Residential Double Wall Pipe	Mobile Home/ Residential Double Wall Pipe Close Clearance	Alcove Double Wall Close Clearance Shields
*Sidewall to Combustible	16"	16"	14"	14"
*Rear to Combustible	15"	6"	6"	6"
*Connector to Backwall	18"	10"	10"	10"
*Corner to Combustible	10"	10"	6"	N/A
*Front Floor Protector	20"	20"	20"	20"
*Side Floor Protector	4"	4"	4"	4"
*Rear Floor Protector	6"	6"	6"	6"
*Alcove Maximum Depth				36"
*Alcove Minimum Height				84"

SECTION V

FREESTANDING MOBILE HOME INSTALLATION

FLOOR PROTECTION

Floor protector must be 3/8" minimum thickness non-combustible material or equivalent.

CHIMNEY

This model is designed for connection to Simpson Duravent, Security, Selkirk Metal Bestos and Metal Fab. Air Jet, Jakes Evans-HT-103 2100° pipe.

TOOLS FOR INSTALLATION

Drop cloth

3/32" Metal drill bit

5/16" Magnetic socket chuck adapter, 5/16" wrench (box or socket) or adjustable wrench

Jigsaw with masonry, metal and wood blades

PREPARING THE HEATER FOR INSTALLATION

1. Inspect the unit for any obvious physical damage.
2. Plug the power cord into a 115V AC outlet to test the motor and fan when using with optional motor.
3. Check the primary air draft control to ensure it operates freely.
4. Remove any items from within the firebox. Spread the drop cloth on the floor behind the heater. Next, tilt the heater so that the back is on the drop cloth.
5. Open the proper outside air freestanding kit and obtain the stand. Place the stand against the bottom of heater (angle side to heater). Center the stand left and right and front to back and mark screw locations on bottom through outer holes of stand mounting angles. Set stand aside and drill four (4) 3/32" holes in heater bottom.
6. Obtain four (4) 3/16" self-tapping screws and secure the stand to the heater.
7. Reposition the heater to the upright position.

PREPARING THE ROOM HEATER LOCATION

1. Select an installation location that will give the best airflow from the front of the heater to the remainder of the home.
2. Place the protective floor pad in position. For minimum floor protection see page 23.
3. Place the unit on the pad making sure the minimum clearance specifications are met.
4. Lightly mark with a pencil the location of the pedestal on the protective pad.
5. Next, remove the four (4) screws holding the heater to the stand. Position heater out of the way of the installation area.
6. Check that the pedestal stand is still aligned with the marks and now, mark the outside air opening of the stand on the pad.
7. Next, mark the center line of the outside air opening. Set stand aside for now.
8. Next, cut a 4 1/4" diameter hole in the pad and continue through the floor.

CAUTION

THE STRUCTURAL INTEGRITY OF THE MOBILE HOME FLOOR MUST BE MAINTAINED. (MOVE OPENING AND/OR REPOSITION HEATER LOCATION IF NECESSARY).

9. Now, reposition the pedestal stand and set on the pad being sure to line the stand up with the reference marks.
10. Using an electric drill and 3/8" masonry bit, drill four (4) holes in the protective pad using the holes in the bottom side lips of the pedestal stand as a guide. Be careful to drill only through the pad and not into the floor. Change the bit to a 1/4" metal bit and drill through the floor.
11. Using the four (4) 3/8" x 1-1/2" lag bolts provided, secure the pedestal stand and pad to the floor of the mobile home.

CAUTION

IF A THICK FLOOR PROTECTOR IS USED, YOU MAY HAVE TO USE LONGER LAG BOLTS.

12. Set the heater back onto the stand and resecure using the screws.
13. Obtain the outside air duct from the box in the pedestal kit marked FA P21B.

14. From under the mobile home, slip the duct up through the 4-1/4" hole. Push up until the face of the outside air duct contacts the underside of the floor of the mobile home. For certain floor thickness, you may have to shorten the length of the outside air duct.
15. Secure the outside air duct to the floor using the four (4) #10x1 screws provided. (See Figure 12.)

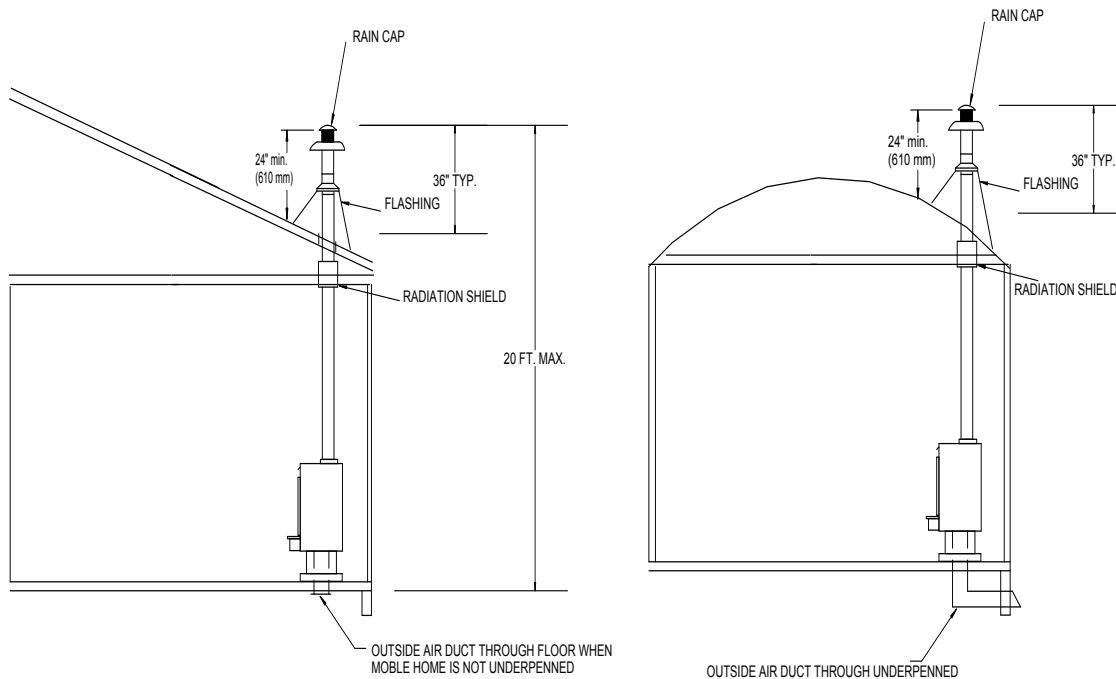


Figure 12

Ceiling Exit (Using Close Clearance listed chimney)

1. Suspend a plumb bob from the ceiling above the unit so that the weight is hanging in the center of the flue exit. (A small weight on a string will serve as a plumb bob.) Mark the ceiling where the string is suspended to locate the center of the chimney hole.

2. After locating the center of the hole install the ceiling support box, chimney, flashing and rain cap using listed chimney only. Only use pipe listed in this manual.

CAUTION

REFER TO CHIMNEY MANUFACTURER'S INSTRUCTIONS FOR ASSEMBLY AND DISASSEMBLY OF CHIMNEY PARTS. BE SURE TO FOLLOW CHIMNEY INSTRUCTIONS FOR PROPER CLEARANCES TO COMBUSTIBLE AND PROPER AIR SPACING REQUIRED.

3. Add additional pipe until both of the following are met:
 - (a) Chimney pipe is 3 feet higher than roof at the point where it penetrates the roof.
 - (b) Chimney pipe height is at least 2 feet higher than any part of the roof within 10 feet of the chimney. (See Figure 12.)
4. Next, install a New Buck Corporation chimney connector to the flue of the heater.
5. Using double wall chimney connector, connect the heater to the chimney by following manufacturer's installation instructions exactly. (See Figure 13.)

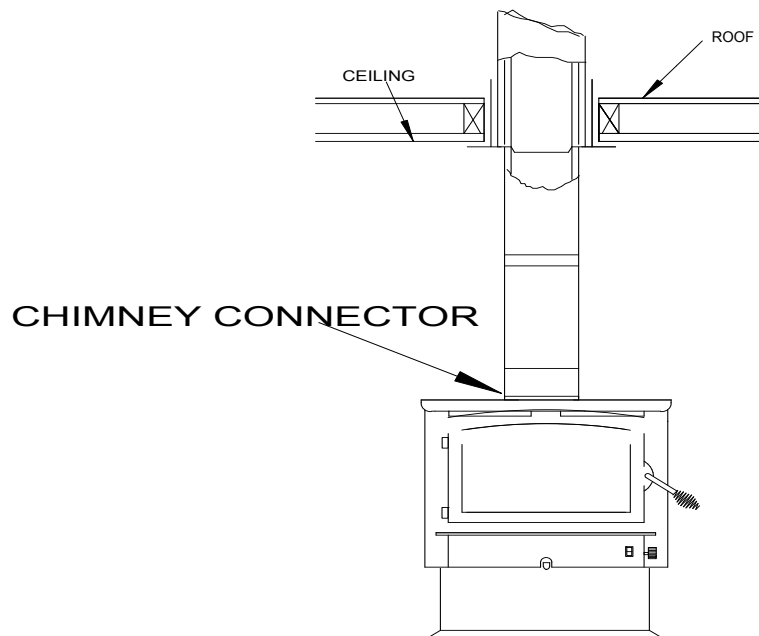


Figure 13

FINAL CHECK

1. Recheck the specified clearances.
2. Remove all foreign material from the firebox area.
3. Open the primary air draft.
4. Plug the power cord into a 115V AC outlet when using with optional motor.
5. Place crumpled pieces of newspaper in the stove. Light it and close the door. Ensure that the stove draws properly through the primary draft.
6. Check for smoke leaks around the door.
7. Open the door and check for smoke escaping from the front of the stove. Smoking usually indicates a defective or poorly positioned chimney. Some chimneys with a marginal draft can be preheated by lighting newspaper and holding it near the open damper with a poker or fire tong. Once the chimney heats up, a proper draft can usually be obtained.

If a thorough review of the Troubleshooting Guide in the rear of the manual does not reveal the problem, contact your dealer for assistance.

CAUTION

THE UNIT IS PAINTED WITH A SPECIALLY FORMULATED HIGH TEMPERATURE PAINT THAT CURES DURING THE FIRST TWO OR THREE FIRINGS. YOU MAY NOTICE A SLIGHT SMOKING EFFECT AND AN ODOR OF BURNING PAINT WHEN YOU BUILD THE FIRST FIRES. THIS IS NORMAL AND IS NOT A CAUSE FOR ALARM. IN SOME CASES, THESE FUMES WILL ACTIVATE A SMOKE ALARM. OPENING A WINDOW NEAR THE UNIT WILL ALLOW THESE FUMES TO ESCAPE. DO NOT BUILD A LARGE ROARING FIRE UNTIL THIS CURING PROCESS IS COMPLETE OR THE HEATER FINISH MAY BE DAMAGED.

SECTION VI

WOOD HEATER SAFETY

Certain safety hazards are inherent in any wood heater installation. You should be aware of these so that a safe and proper installation can be made.

1. **FAULTY CHIMNEY:** An older masonry chimney should be thoroughly checked to be sure there are no holes or weak spots which could allow sparks or hot gases to escape.
2. **HEAT CONDUCTION:** Placing combustible materials too close to a heater or chimney can be a fire hazard.

By keeping these particular hazards in mind as you install and use your room heater you can ensure a safe, reliable installation.

The chimney and chimney connector should be inspected once every two months. Any build-up of soot should be removed to prevent the risk of a chimney fire. To remove chimney or chimney connector: Remove screws or fasteners. Remove pipe and clean with steel brush. Replace chimney or chimney connector, and replace screws and/or fasteners.

CAUTION

NEVER USE GASOLINE, GASOLINE TYPE LANTERN FUEL, KEROSENE, CHARCOAL LIGHTER FLUID OR SIMILAR LIQUIDS TO START OR "FRESHEN UP" A FIRE IN THE HEATER. KEEP ALL SUCH LIQUIDS WELL AWAY FROM THE STOVE WHEN IT IS IN USE. ALL FLUIDS OF THIS TYPE GIVE OFF VOLATILE FUMES AND CAN AND WILL EXPLODE!! DON'T TAKE A CHANCE WITH THE SAFETY OF YOUR HOME AND FAMILY.

DISPOSAL OF ASHES: Ashes should be placed in a metal container with a tight fitting lid. The closed container of ashes should be placed on a non-combustible floor or on the ground, well away from all combustible materials pending final disposal. If the ashes are disposed of by burial in soil or otherwise locally dispersed, they should be retained in the closed container until all cinders have thoroughly cooled.

CREOSOTE-FORMATION AND NEED FOR REMOVAL: When wood is burned slowly, it produces tar and other organic vapors, which combine with expelled moisture to form creosote. The creosote vapors condense in the relatively cool chimney flue of a slow-burning fire. As a result, creosote residue accumulates on the flue lining. When ignited this creosote makes an extremely hot fire.

SECTION VII OPERATION

This section of the manual is to help you get the maximum efficiency and maximum smoke (particulate) reduction from your heater. If you should experience any difficulty or have any questions concerning your heater, contact your dealer for assistance. The manufacturer recommends that for maximum performance burn seasoned hard wood.

Build a fire for maximum efficiency. This model burns wood and extracts heat so efficiently, a large fire is not necessary. A large fire not only wastes energy, it usually results in the home being too warm for comfort.

The following steps will serve as a guide for operating your stove.

BUILDING A FIRE

1. Open the door.
2. Open the primary air control under hearth, push in. To close pull all the way out.
3. Twist two pieces of non-colored newspaper into a roll and place them on the floor of the firebox.
4. This model is not designed for the use of grates, andirons or other methods of supporting the fuel.
5. Lay several pieces of dry kindling on top of the newspaper.
6. Place three or four small pieces of firewood, 2"-3" in diameter, on top of the kindling.
7. Light the newspaper in the front. Close and latch the door. Don't leave the fire unattended at this point. The draft system of the heater should start quickly. It may be necessary to preheat the chimney to get the draft started. To do this, open the door and add newspaper to the top rear of the wood. Light or let this paper ignite and allow to burn while holding the door slightly cracked. Once the draft has started, close and lock the door. You are overheating the unit if the chimney and or connector glows red.
8. After embers and a coal bed have been established, load the heater with wood.

NOTE: THE FUELING DOOR MUST REMAIN CLOSED DURING OPERATION.

NOTE: If the optional blower is being used on the Model 51, operate the blower in the "OFF" position for the first thirty (30) minutes after starting the fire and in the "OFF" position for thirty (30) minutes after refueling the fire.

SECTION VIII

TROUBLESHOOTING

PROBLEM

1. Sluggish Heater

POSSIBLE CAUSE

1. Obstruction in Chimney
2. Improperly sealed trim kit or direct connect kit
3. Manual damper in chimney is closed
4. Wet or unseasoned wood being burned
5. Poor chimney draft

SOLUTION

1. Check for and remove obstruction
2. (a) Check trim kit gasketing seal to fireplace and gasket as necessary to seal unit. Gasket under front bottom of stove if needed. (b) Check seal if using direct connect and correct.
3. Open manual damper and wire shut with stainless steel wire or remove damper
4. Burn dry seasoned wood
5. Improper chimney height or wrong size flue is being used. Cooler temperatures caused by external chimney.

PROBLEM	POSSIBLE CAUSE	SOLUTION
2. High fuel consumption	1. Improper regulation of draft or inlet air	1. (a) Close inlet air control as much as possible to maintain desired heat output. (b) Check gaskets, reinstall fiberglass gasketing round doors and glass as necessary
	2. Improper door fitting	2. Check door gasket, check adjustment of door latch
3. Backpuffing	1. Gusts of Wind	1. (a) Smoke shelf in chimney is filled with creosote & ash (b) Chimney may need wind diverter. Raise chimney for better draft.
4. Smoke rollout when heater door is opened	1. Wind gusts blowing down the chimney	1. (a) Smoke shelf in chimney is filled with creosote & ash (b) Chimney may need wind diverter. Raise chimney for better draft.
	2. Opening heater door too fast	2. Crack door for 15 seconds before fully opening door.

NEW BUCK CORPORATION (NBC)
"LIMITED WARRANTY" FOR THE BUCK STOVE
PLEASE READ THIS WARRANTY CAREFULLY

PRODUCTS COVERED

This warranty covers the New Buck Stove heating unit, so long as it is owned by the original purchaser, including optional and standard accessories purchased at the same time, subject to terms, limitations, and conditions herein set out.

PRODUCTS NOT COVERED

This warranty does not cover the following:

- Glass;
- Refractory material such as refractory cement or firebrick;
- Gaskets.

This Warranty will also not cover any damage and/or failure caused by abuse or improper installation of the products covered.

WARRANTY TIME PERIODS

(A) Period I

For one year from the date of purchase, NBC will replace or repair, at its option, any part defective in materials or workmanship. The costs of parts only are included. The customer pays any labor or transportation charges required.

Thereafter

B) Period II

For the period after the first year from the date of purchase and extending for 5 years as long as the Buck Stove is owned by the original purchaser, NBC will repair or replace, at its option, any part defective in materials or workmanship, with the exception of: electrical motors, wiring, switches, and components: optional and standard accessories; and all parts not permanently attached to the heating unit. Parts not permanently attached to the heating unit are defined as those items designed to be removed from the stove, including those removable with common hand tools. The costs of parts only are included. The customer pays any labor or transportation charges required.

PROCEDURE

Should you feel that your BUCK STOVE is defective, you should contact any Buck Stove dealer for the name of your nearest authorized Buck Stove service representative, who will instruct you on the proper procedure, depending on which Warranty Time Period (Period I or Period II) applies.

If for any reason you are dissatisfied with the suggested procedures, you may contact us in writing at:

New Buck Corporation
Customer Service Department
P. O. Box 69
Spruce Pine, NC 28777

CONDITIONS AND EXCLUSIONS

- A. Replacement of parts may be in the form of new or fully reconditioned parts, at NBC's option.
- B. There is no other express warranty. All implied warranties of Merchantability and Fitness for Use are limited to the duration of the Express Warranty.
- C. New Buck Corporation is not liable for indirect, incidental, or consequential damages in connection with the use of the product including any cost or expense of providing substitute equipment or service during periods of malfunction or non-use.
Some states do not allow the exclusion of incidental or consequential damages, so the above exclusion may not apply to you.
- D. All warranty repairs under this warranty must be performed by an authorized Buck Stove service representative. Repairs or attempted repairs by anyone other than an authorized service representative are not covered under this warranty. In addition, these unauthorized repairs may result in additional malfunctions, the correction of which is not covered by warranty.

OTHER RIGHTS

This warranty gives you specific legal rights, and you may also have other rights, which vary from state to state.