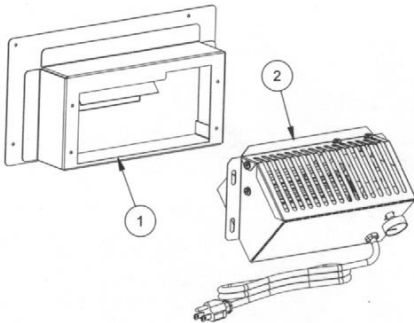


UNITED STATES STOVE CO

ESTD 1869

Blower Installation

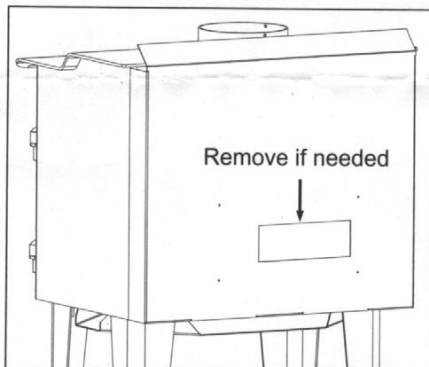


Key	Part #	Description	Qty
1	610527	Blower Housing	1
2	891492	Blower Assembly (B36)	1

IN ORDER TO MAINTAIN WARRANTY, COMPONENTS MUST BE REPLACED USING ORIGINAL MANUFACTURERS PARTS PURCHASED THROUGH YOUR DEALER OR DIRECTLY FROM THE APPLIANCE MANUFACTURER. USE OF THIRD PARTY COMPONENTS WILL VOID THE WARRANTY.

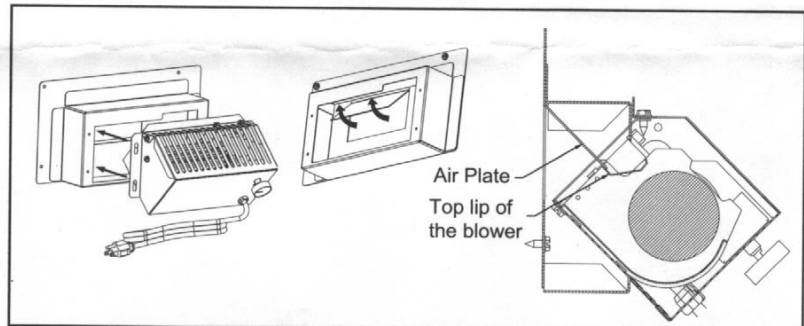
STEP ONE

If applicable remove the knock-out from the rear of the unit



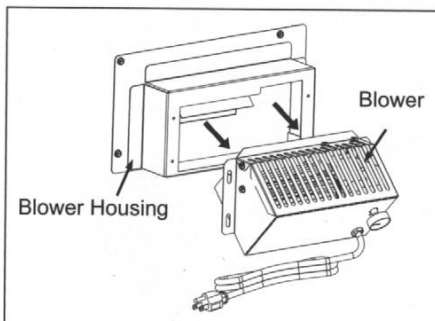
STEP TWO

Temporarily hold up the blower to the blower housing, and bend the air plate approximately 45° so that it rest on the top lip of the blower. **CAUTION: Do Not Over Bend.**



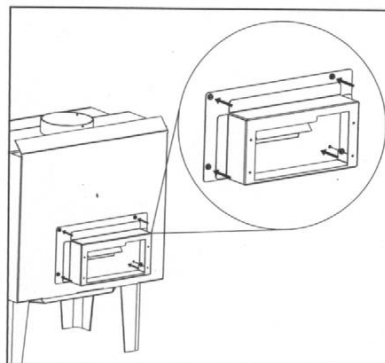
STEP THREE

Remove the blower from the blower housing.



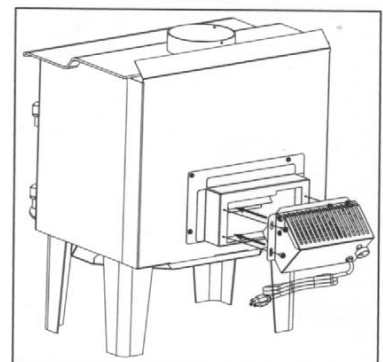
STEP FOUR

Attach the blower housing to the unit as shown using four of the provided screws.



STEP FIVE

Attach the blower to the blower housing using four of the provided screws.



**UNITED STATES
STOVE CO**

EST^d 1869

B36

Blower Kit Instruction Sheet

ASSEMBLY INSTRUCTIONS

Step 1.

THE BLOWER ASSEMBLY MUST BE DISCONNECTED FROM THE SOURCE OF ELECTRICAL SUPPLY BEFORE ATTEMPTING THE INSTALLATION.

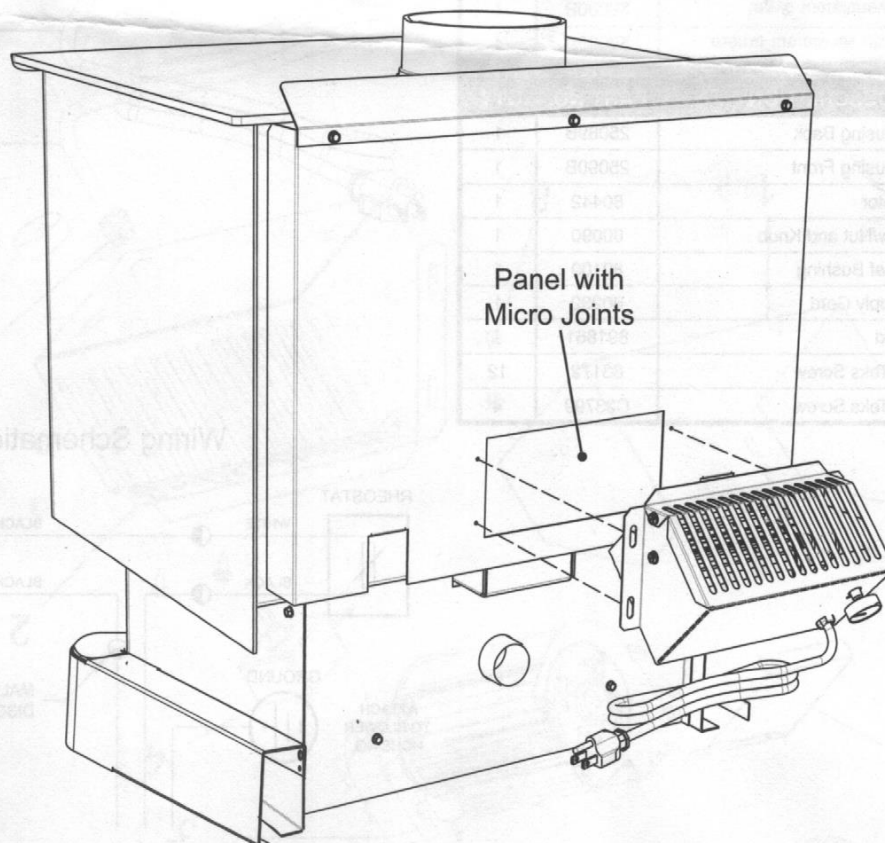
With pliers, cut the 6 microjoints and remove panel (a). Note: Discard the panel.

Step 2.

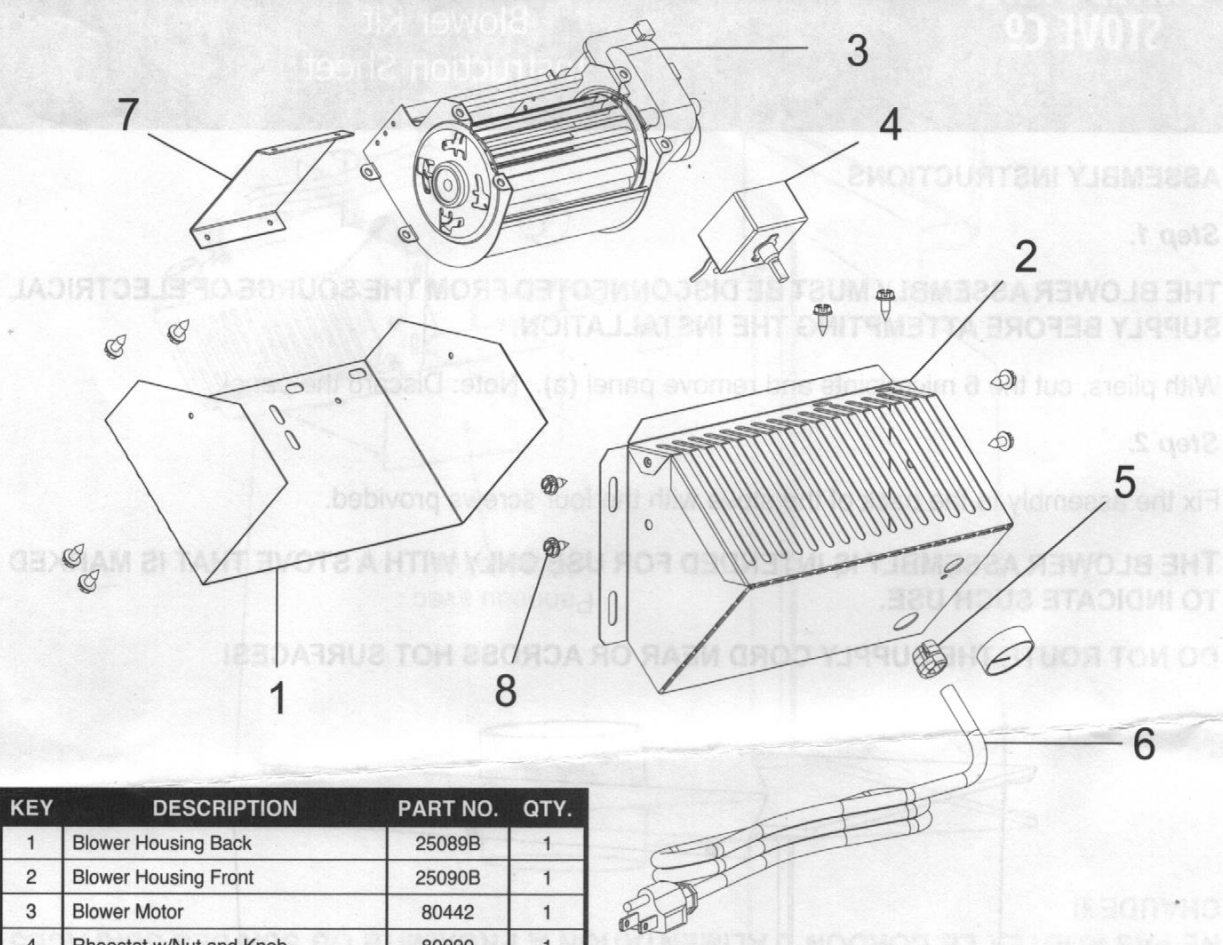
Fix the assembly to the back of the stove with the four screws provided.

THE BLOWER ASSEMBLY IS INTENDED FOR USE ONLY WITH A STOVE THAT IS MARKED TO INDICATE SUCH USE.

DO NOT ROUTE THE SUPPLY CORD NEAR OR ACROSS HOT SURFACES!



Parts and Parts List



KEY	DESCRIPTION	PART NO.	QTY.
1	Blower Housing Back	25089B	1
2	Blower Housing Front	25090B	1
3	Blower Motor	80442	1
4	Rheostat w/Nut and Knob	80090	1
5	Strain Relief Bushing	80109	1
6	Power Supply Cord	80232	1
7	Heat Shield	891861	1
8	#10 x 1/2 Teks Screw	83172	12
N/S	#12 x 3/4 Teks Screw	C23799	4

Wiring Schematic

